



US00D441459S

(12) **United States Design Patent**  
**Ooike et al.**

(10) **Patent No.:** **US D441,459 S**

(45) **Date of Patent:** **\*\* May 1, 2001**

(54) **ELECTROPHORESIS INSTRUMENT**

(75) Inventors: **Akio Ooike**, Komoro; **Kouichi Kudo**, Saku; **Eizo Sugimoto**, Tokyo; **Masato Murakami**, Kashiwa; **Hiromu Ishibashi**, Tokyo, all of (JP)

(73) Assignees: **Cosmo Bio Co., Ltd.**; **Advance Co., Ltd.**, both of (JP)

(\*\*) Term: **14 Years**

(21) Appl. No.: **29/105,214**

(22) Filed: **May 20, 1999**

**Related U.S. Application Data**

(62) Division of application No. 08/871,228, filed on Jun. 9, 1997.

(51) **LOC (7) Cl.** ..... **24-01**

(52) **U.S. Cl.** ..... **D24/233**

(58) **Field of Search** ..... D24/233; 439/509, 439/911; 204/466, 616

(56) **References Cited**

**U.S. PATENT DOCUMENTS**

D. 266,150 \* 9/1982 Borsos ..... D24/233

D. 282,352 \* 1/1986 Hoefler et al. .... D24/233  
D. 303,012 \* 8/1989 Flesher et al. .... D24/233  
D. 315,951 \* 4/1991 Berninger et al. .... D24/233  
D. 315,952 \* 4/1991 Berninger et al. .... D24/233  
3,856,656 \* 12/1974 Brink ..... 204/616  
4,608,146 \* 8/1986 Penaluna ..... 204/616

\* cited by examiner

*Primary Examiner*—Ian Simmons

(74) *Attorney, Agent, or Firm*—McGlew and Tuttle, P.C.

(57) **CLAIM**

The ornamental design for a electrophoresis instrument, as shown and described.

**DESCRIPTION**

FIG. 1 is a perspective view of an electrophoresis instrument showing our new design;

FIG. 2 is a front elevational view thereof, shown with the cover in place;

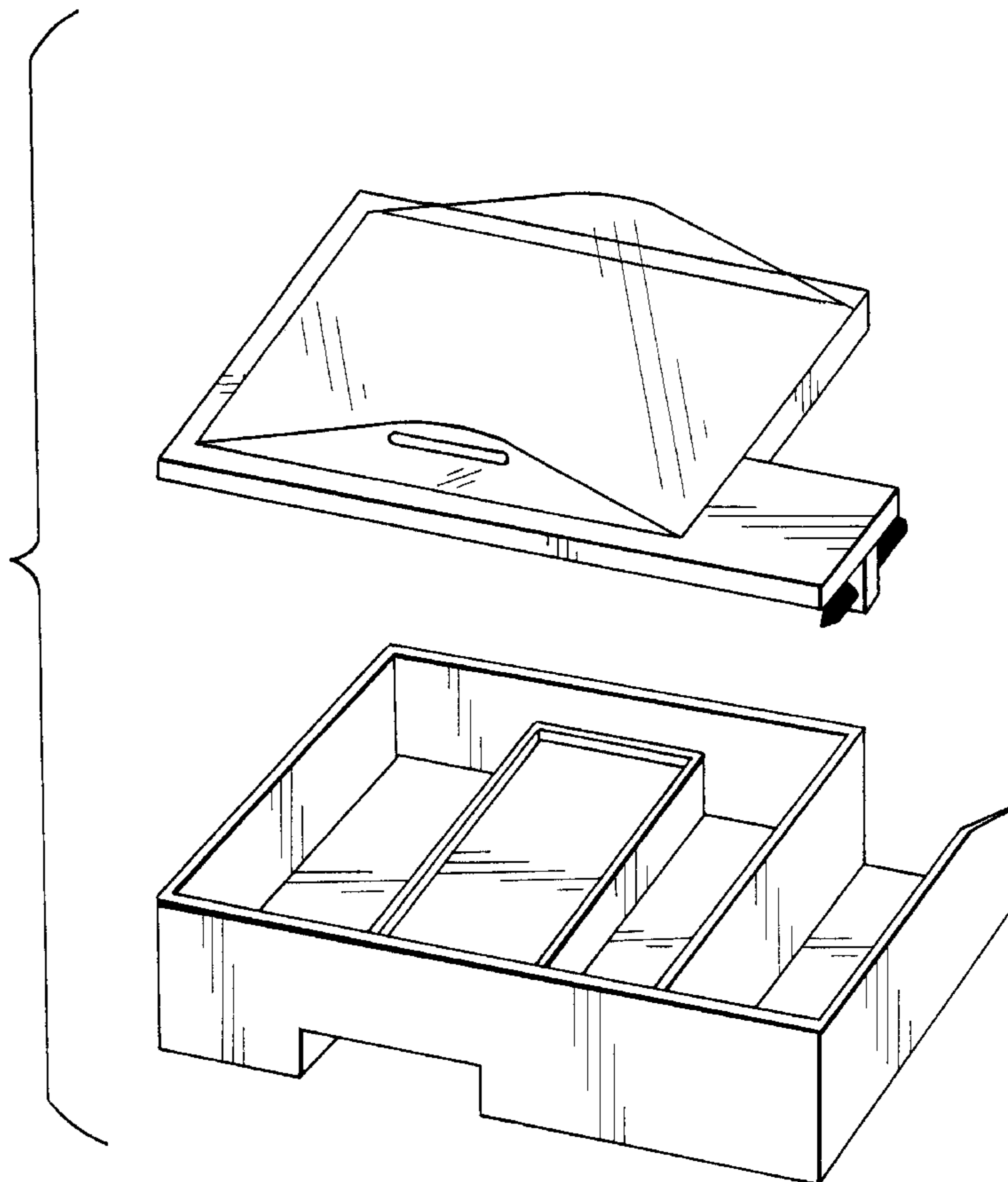
FIG. 3 is a rear elevational view thereof;

FIG. 4 is a right side elevational view thereof; and,

FIG. 5 is a left side elevational view thereof.

The surfaces or portions of the article not shown in the drawing or described in the specification forms no part of the claimed design.

**1 Claim, 2 Drawing Sheets**



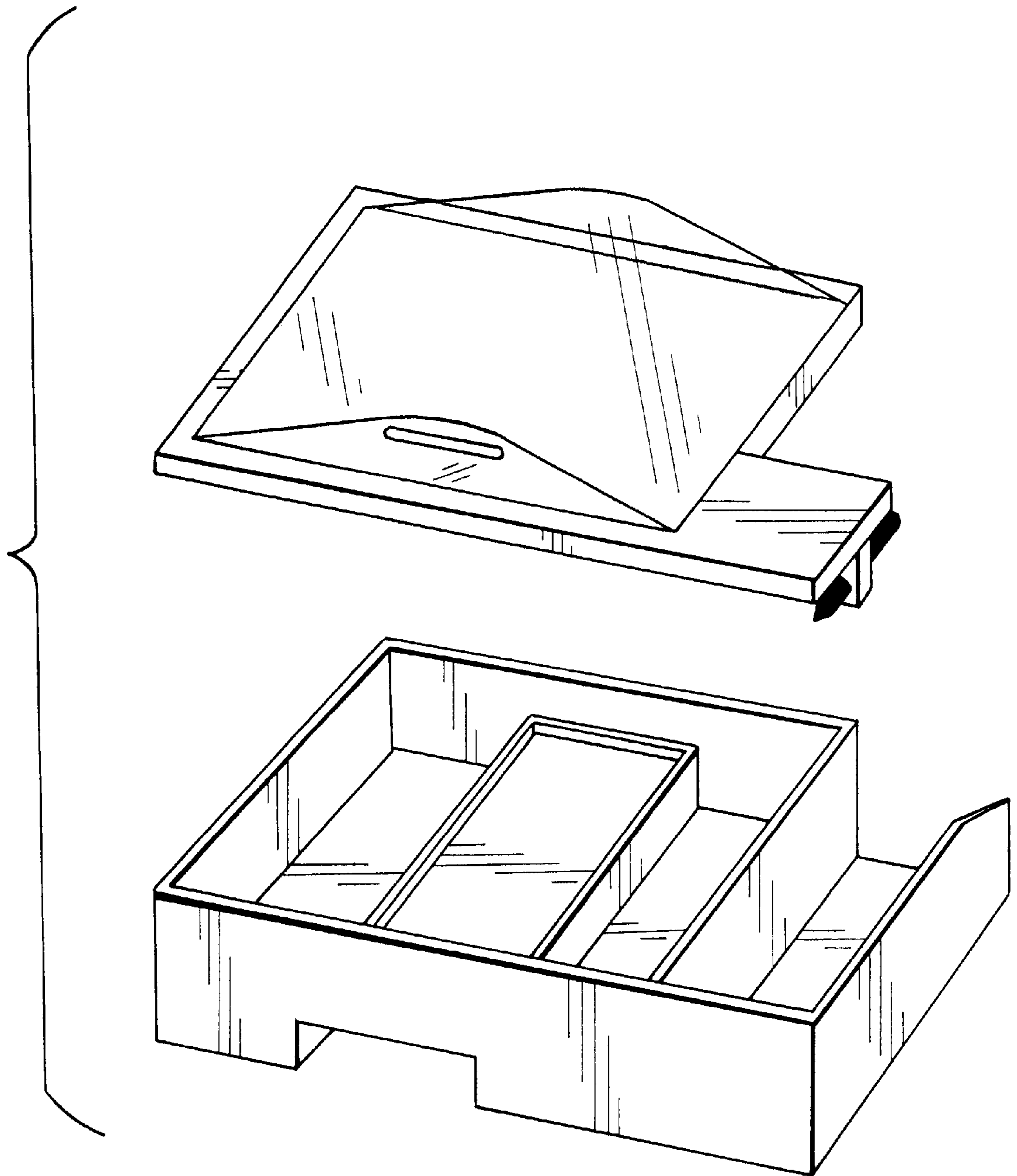


FIG. 1

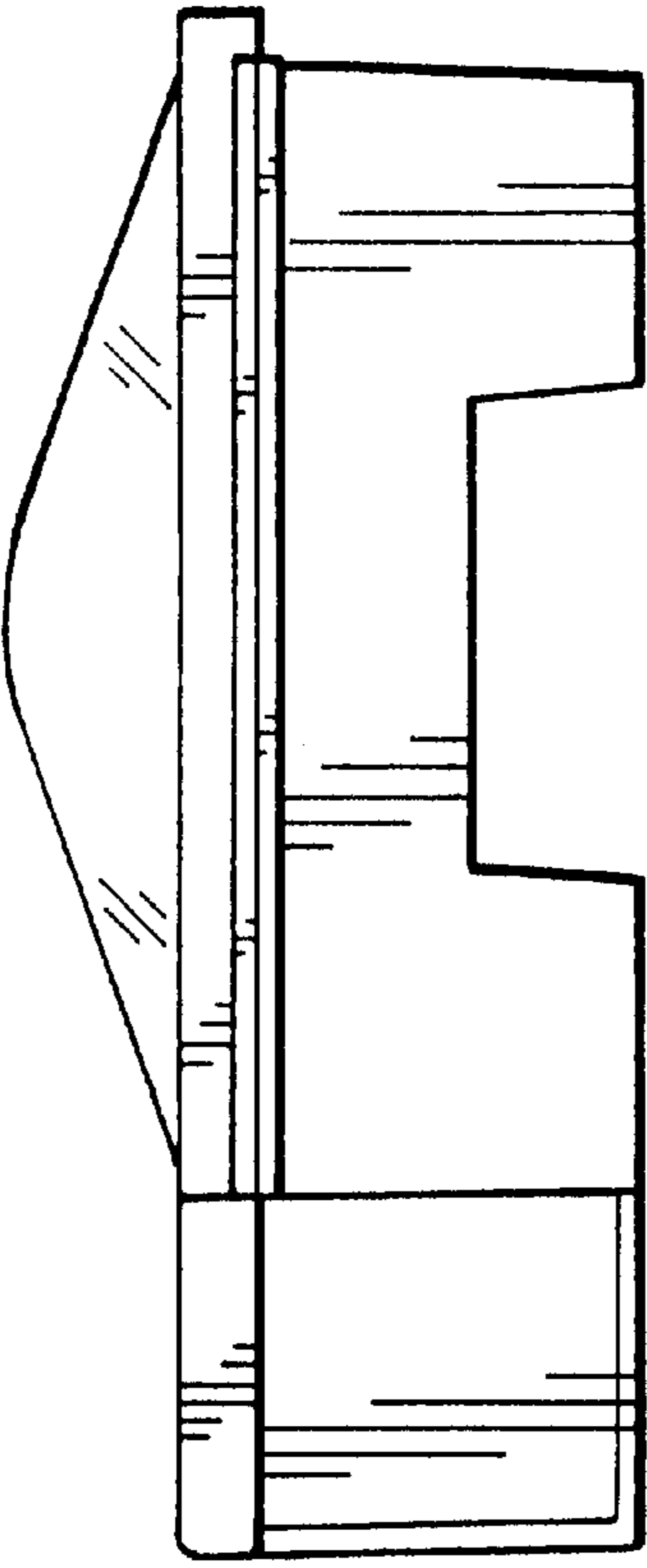


FIG. 2

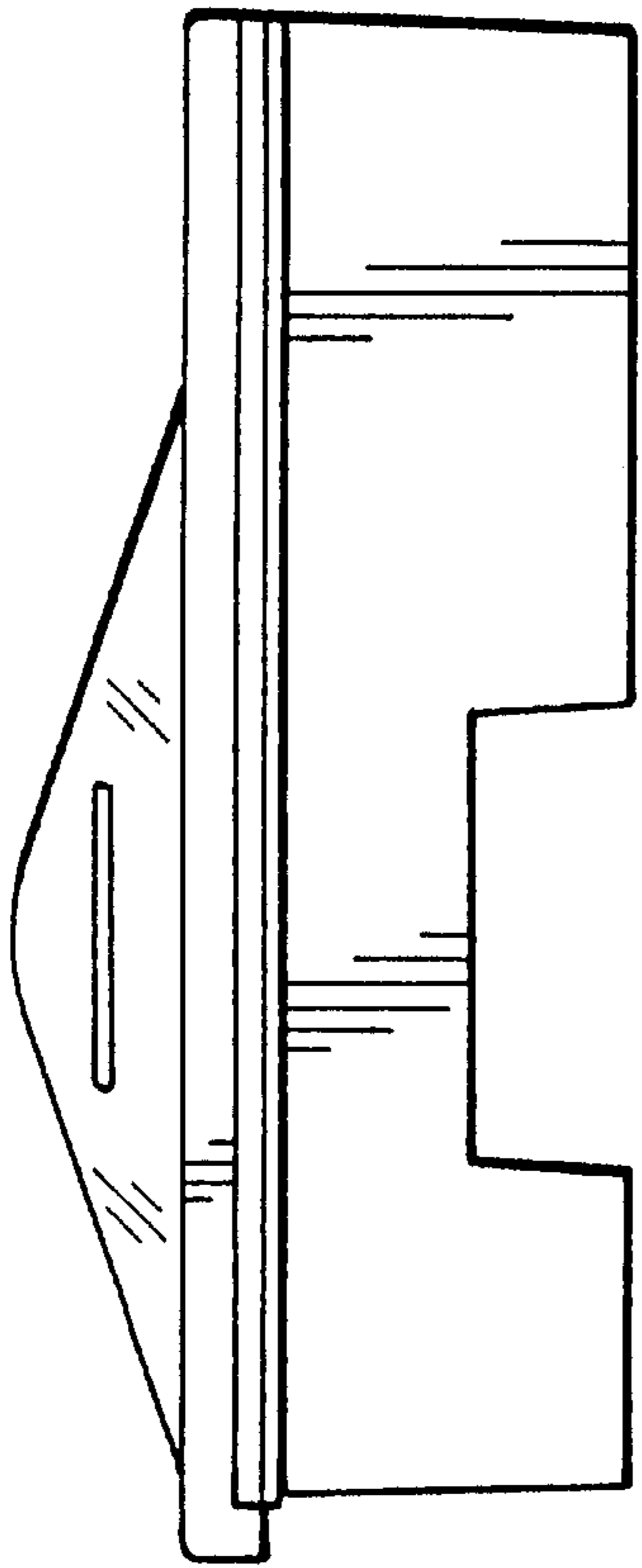


FIG. 3

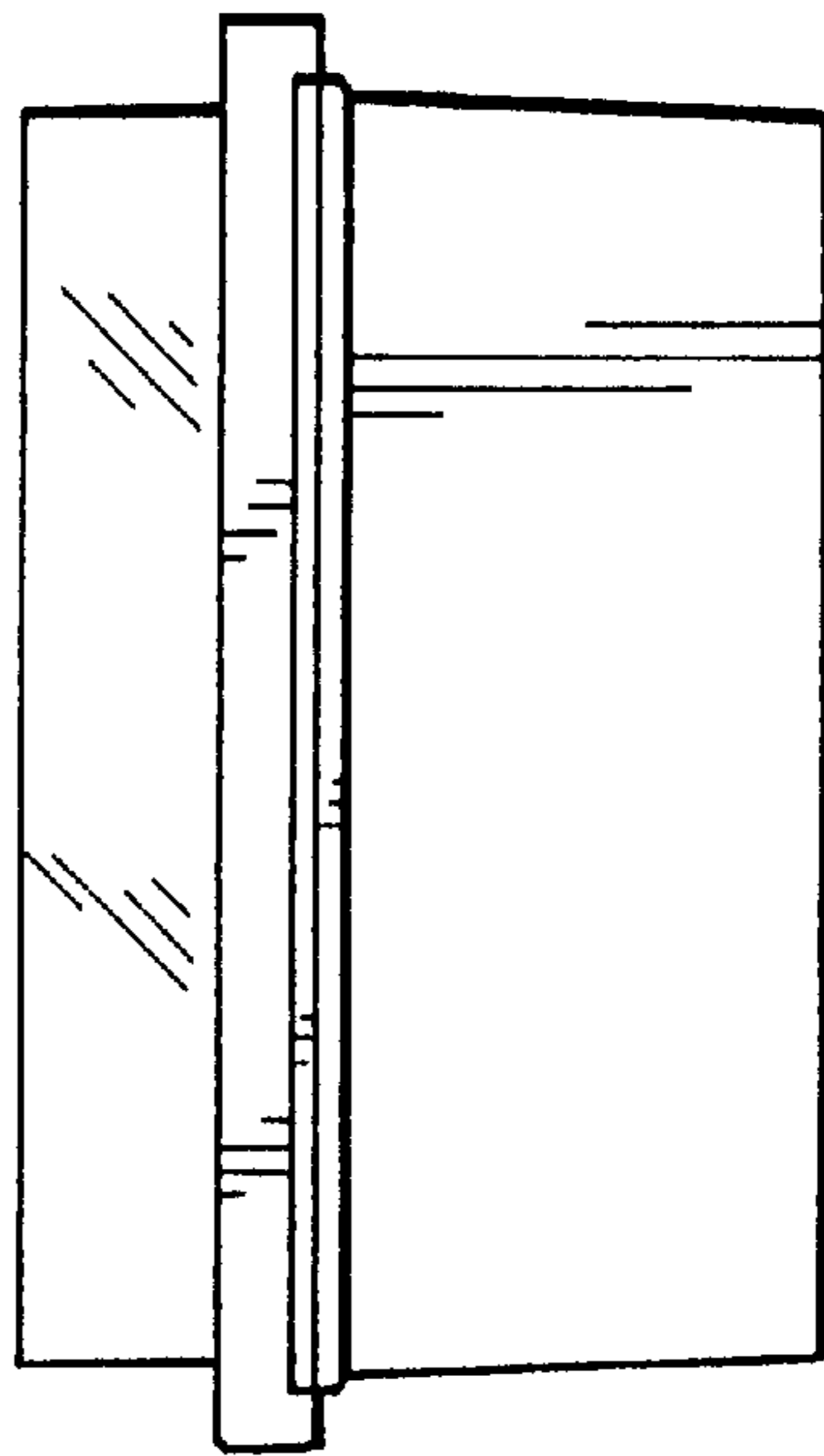


FIG. 4

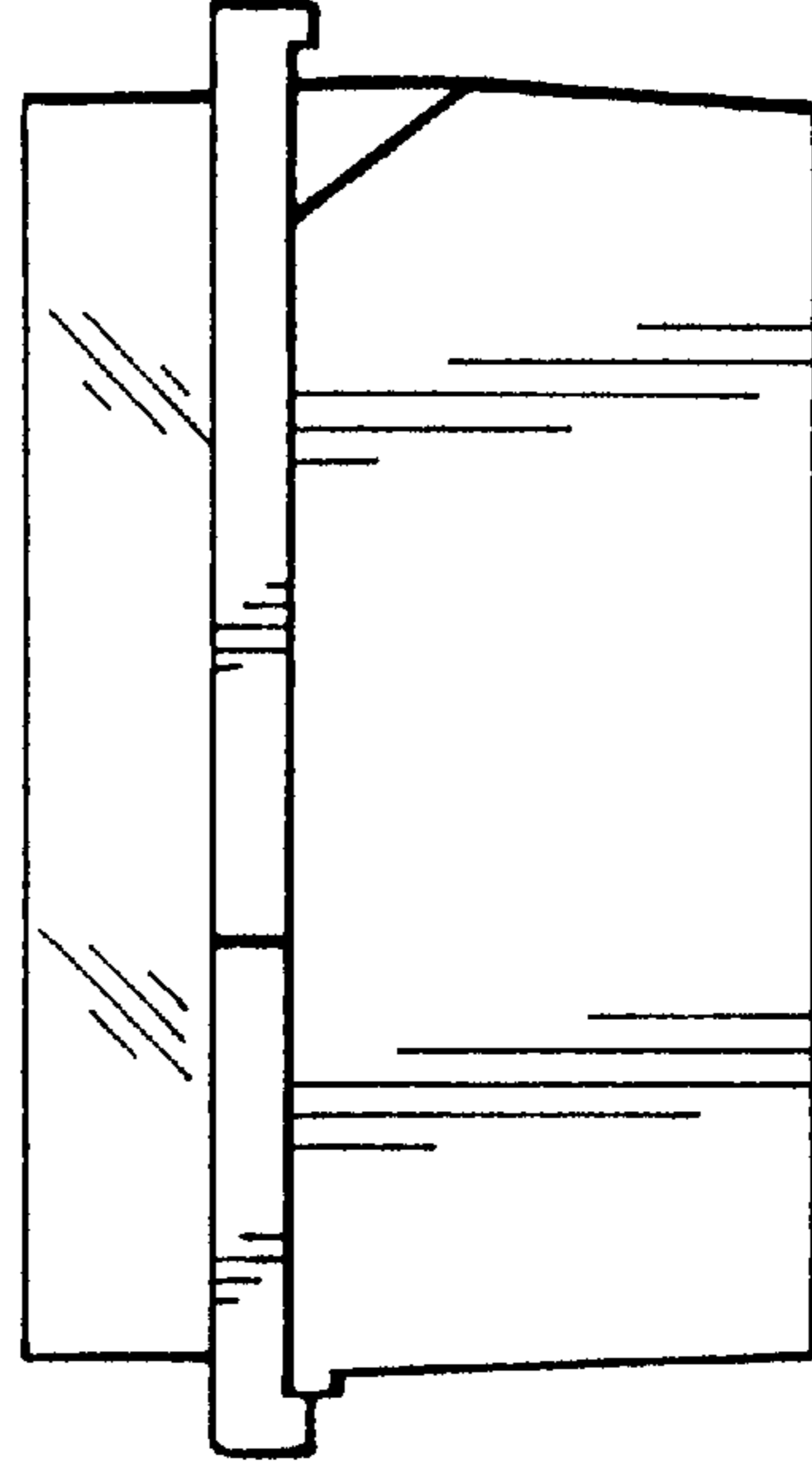


FIG. 5