



US00D441457S

(12) **United States Design Patent**  
**Neiner et al.**

(10) **Patent No.:** **US D441,457 S**

(45) **Date of Patent:** **\*\* May 1, 2001**

(54) **STERILIZATION CASSETTE**

**OTHER PUBLICATIONS**

(75) Inventors: **Karen L. Neiner**, Chicago; **Matiwala R. Ongchango**, Streamwood; **Larry E. Smith**, Chicago, all of IL (US)

(73) Assignee: **Hu-Friedy Mfg. Co., Inc.**, Chicago, IL (US)

(\*\*) Term: **14 Years**

Svenska Dental Instruments AB, Vasby, Sweden, Applicants' Reference.

Syntex Dental Products, Bay Minette, Ala. Mar. 1982, Applicants' Reference.

A-dec Trays & Tubs, Newberg, Ore., Applicants' Reference.

Medin Corporation, Instrument Tray For Microsurgery, Applicants' Reference.

(List continued on next page.)

(21) Appl. No.: **29/121,281**

(22) Filed: **Apr. 4, 2000**

(51) **LOC (7) Cl.** ..... **24-01**

(52) **U.S. Cl.** ..... **D24/217**

(58) **Field of Search** ..... D24/217; 422/300, 422/297; 206/370, 366, 363, 439, 318

*Primary Examiner*—Ian Simmons

(74) *Attorney, Agent, or Firm*—Rockey, Milnamow & Katz, Ltd.

(57) **CLAIM**

The ornamental design for a sterilization cassette, substantially as shown and described.

**DESCRIPTION**

(56) **References Cited**

**U.S. PATENT DOCUMENTS**

D. 295,074	4/1988	Jerge et al. .	
D. 295,075	4/1988	Jerge et al. .	
D. 318,329	7/1991	Porteous .	
D. 360,697	7/1995	Riihimaki et al. .	
D. 421,309 *	2/2000	Riley et al. ....	D24/217
1,157,733	10/1915	Stevenson .	
1,471,050	10/1923	Montag .	
1,639,436	8/1927	Patterson .	
2,117,228	5/1938	Stuchbery .	
2,147,510	2/1939	Amick .	
2,506,789	5/1950	Hyde .	
2,570,341	10/1951	Hake .	
2,776,521	1/1957	Zimmerman .	
3,077,282	2/1963	Eggers .	
3,087,192	4/1963	Hertzke .	
3,133,635	5/1964	Gordon et al. .	
3,285,409	11/1966	Loran .	
3,330,434	7/1967	Bromley .	
3,393,444	7/1968	Peters et al. .	

FIG. 1 is a perspective view of a cassette in accordance with the present invention;

FIG. 2 is a front elevational view of the cassette of FIG. 1; FIG. 3 is a side elevational view of one end of the cassette of FIG. 1, the other end being identical;

FIG. 4 is a top plan view of the cassette of FIG. 1;

FIG. 5 is a rear elevational view of the cassette of FIG. 1;

FIG. 6 is bottom plan view of the cassette of FIG. 1;

FIG. 7 is a perspective view of the cassette of FIG. 1 in an open state with a first orientation;

FIG. 8 is a perspective view of the cassette of FIG. 1 in an open state with the second orientation;

FIG. 9 is a perspective view of an alternate embodiment of a cassette in accordance with the present invention;

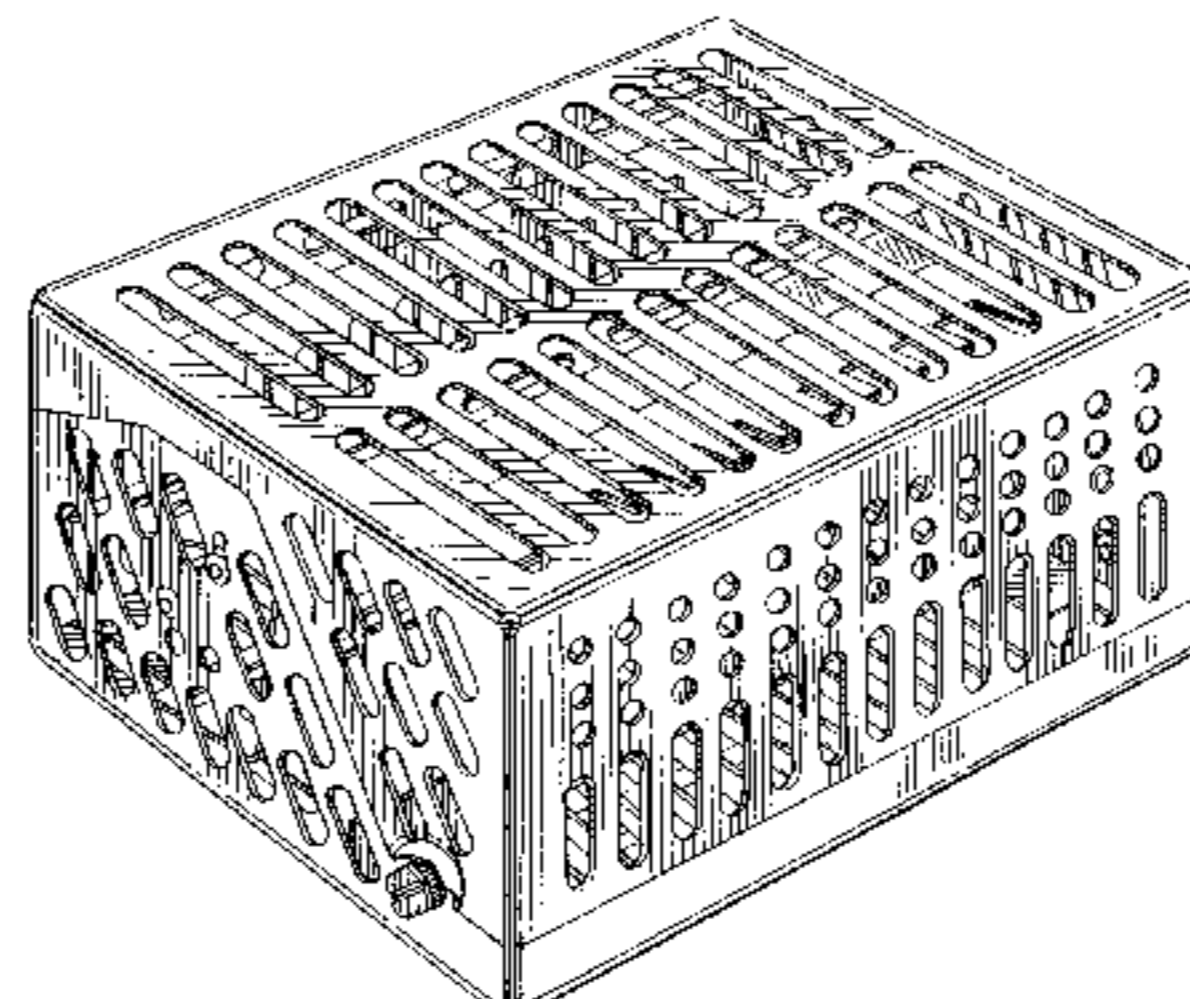
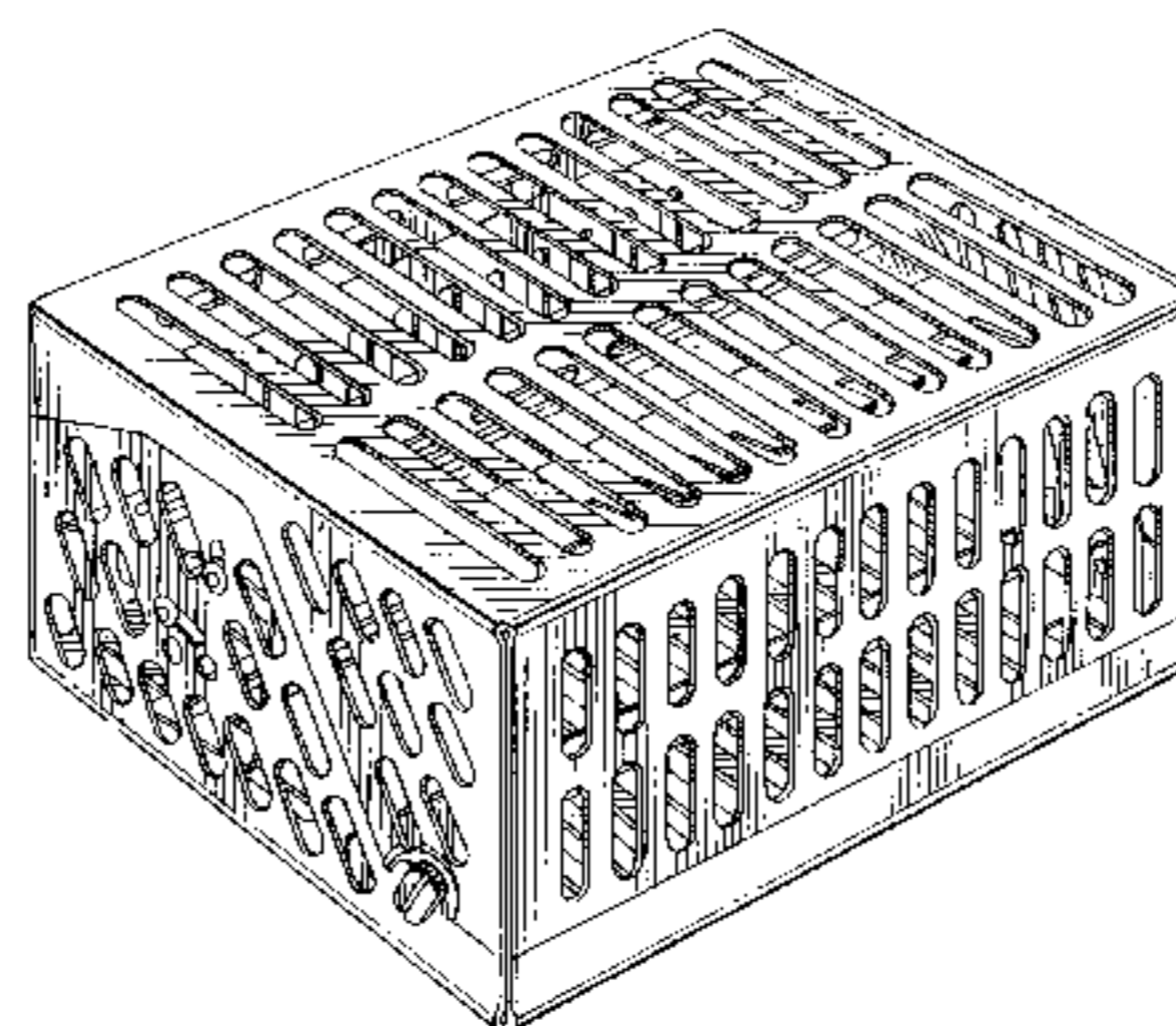
FIG. 10 is a front elevational view of the cassette of FIG. 9; and,

FIG. 11 is a perspective view of the cassette of FIG. 9 in an open state.

The side, top, rear and bottom views of the cassette of FIG. 9 are identical to those of the cassette of FIG. 1.

(List continued on next page.)

**1 Claim, 7 Drawing Sheets**



U.S. PATENT DOCUMENTS

3,497,908 3/1970 Zamarra .  
 3,572,536 3/1971 Wehner .  
 3,697,223 10/1972 Kovalcik et al. .  
 3,723,061 3/1973 Stahl .  
 3,890,096 6/1975 Nichol et al. .  
 4,046,254 9/1977 Kramer .  
 4,099,648 7/1978 Kirkton .  
 4,135,868 1/1979 Schainholz .  
 4,199,072 4/1980 Jacks .  
 4,327,060 4/1982 Nisii .  
 4,333,567 6/1982 Leonard .  
 4,541,992 9/1985 Jerge et al. .  
 4,551,311 11/1985 Lorenz .  
 4,577,755 3/1986 Ramsay .  
 4,643,303 2/1987 Arp et al. .  
 4,671,943 6/1987 Wahlquist .  
 4,854,475 8/1989 Riihimaki et al. .  
 4,865,821 9/1989 Langdon .  
 4,930,660 6/1990 Porteous .  
 4,959,199 9/1990 Brewer .  
 4,978,510 12/1990 Smith .  
 5,084,251 1/1992 Thomas .  
 5,098,676 3/1992 Brooks, Jr. .

5,125,523 6/1992 Kulper .  
 5,127,537 7/1992 Graham .  
 5,215,726 6/1993 Kudla et al. .  
 5,279,800 1/1994 Berry, Jr. .  
 5,284,632 2/1994 Kudla et al. .  
 5,294,413 3/1994 Rahmaki et al. .  
 5,346,677 9/1994 Risk .  
 5,433,929 \* 7/1995 Riihimaki et al. .... 422/297  
 5,759,502 \* 6/1998 Spencer et al. .... 422/300  
 6,116,452 \* 9/2000 Hamel et al. .... 206/370

OTHER PUBLICATIONS

Aesculap, Tuttlingen, West Germany, Applicants' Reference.  
 Winston-Salem Dental Care Plan, Inc., Winston-Salem, North Carolina, Applicants' Reference.  
 "Racks" Brochure (2 pages).  
 Dentronix Technical Bulletin, "DDS 5000 Dry Heat Sterilization System—Questions and Answers" (2 pages).  
 "Ortho Cassette" Brochure (1 page).  
 ASAP SYS. Instrument Cassette Brochure (3 pages).

\* cited by examiner

FIG. 1

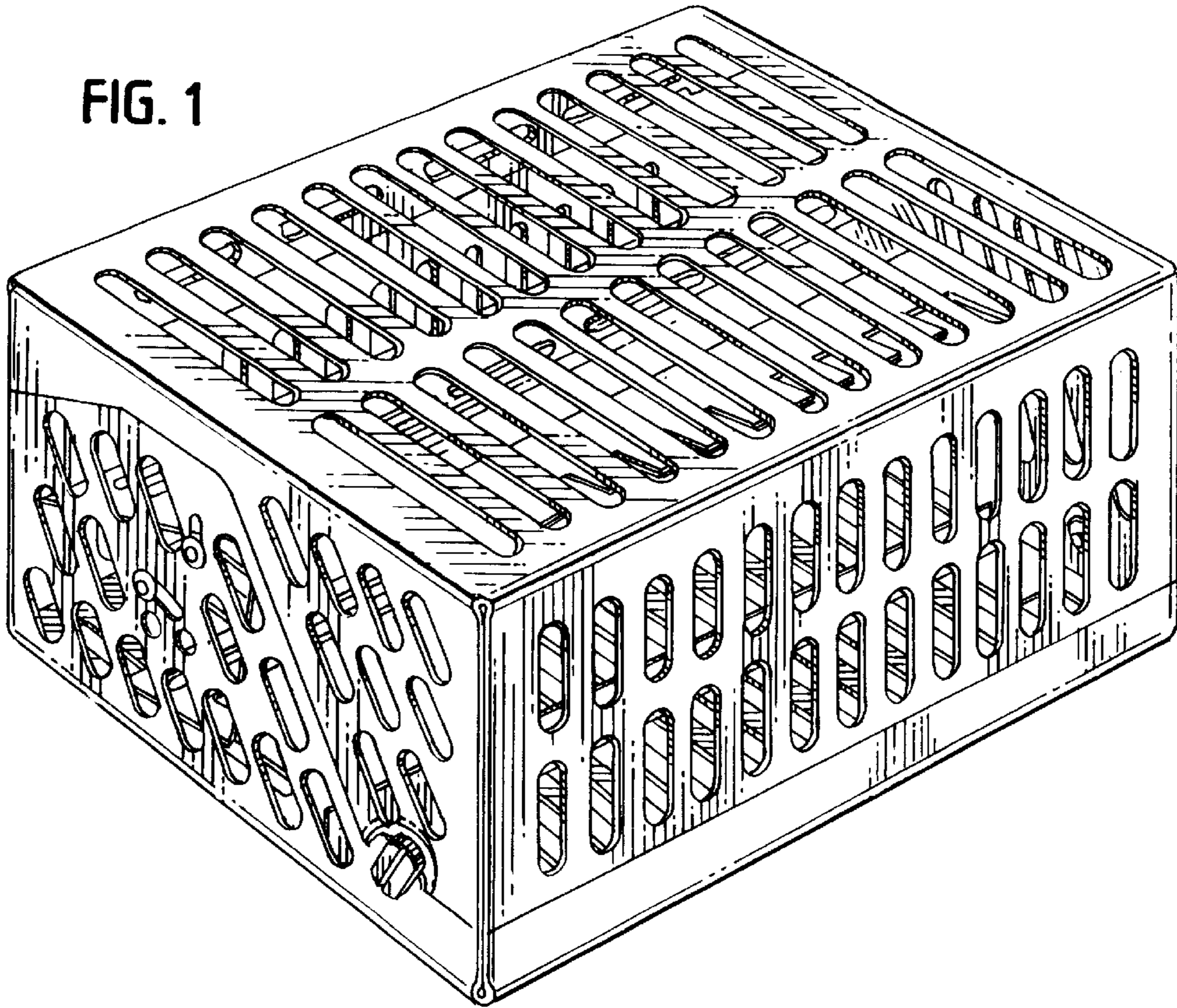


FIG. 2

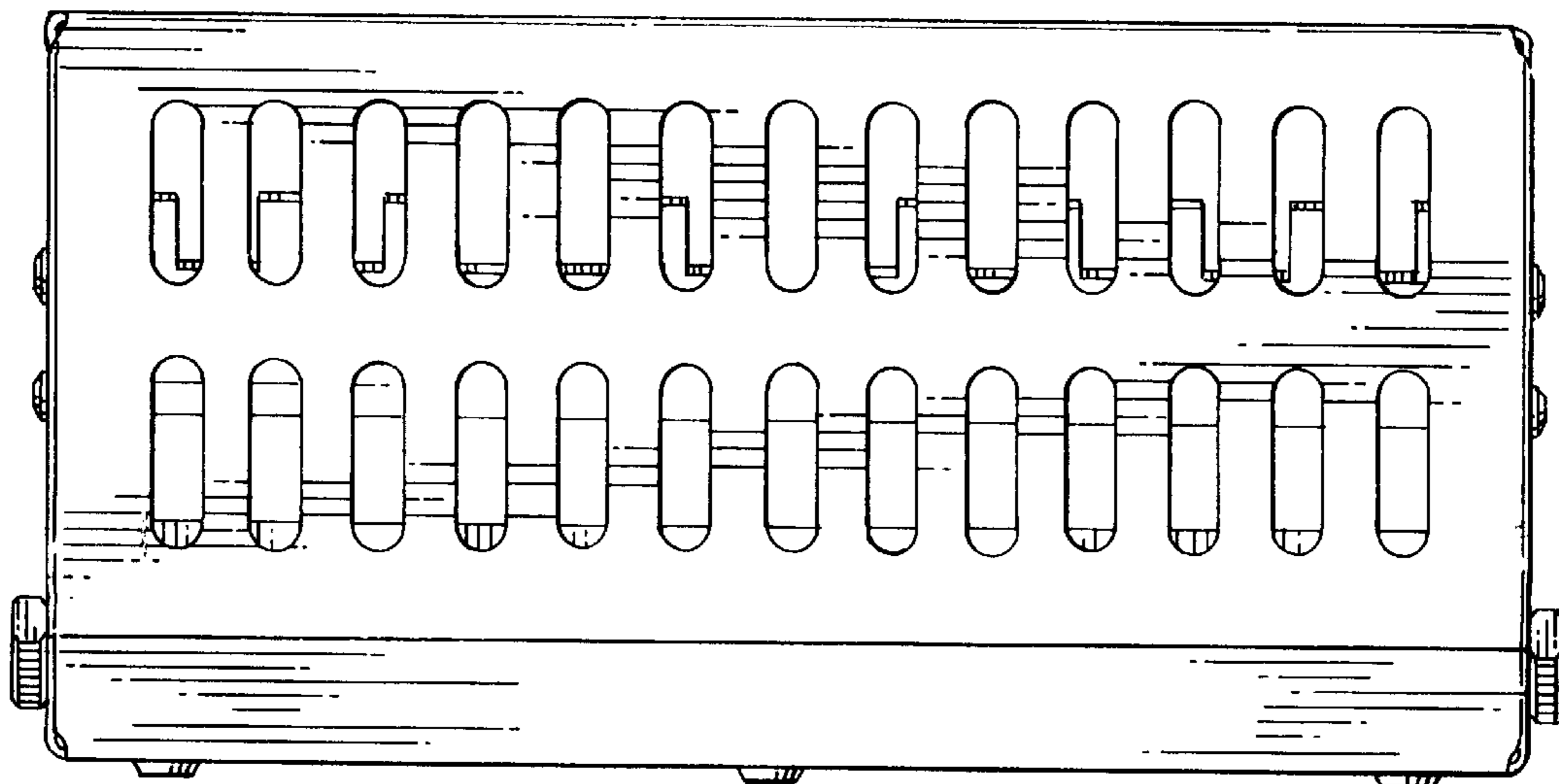


FIG. 3

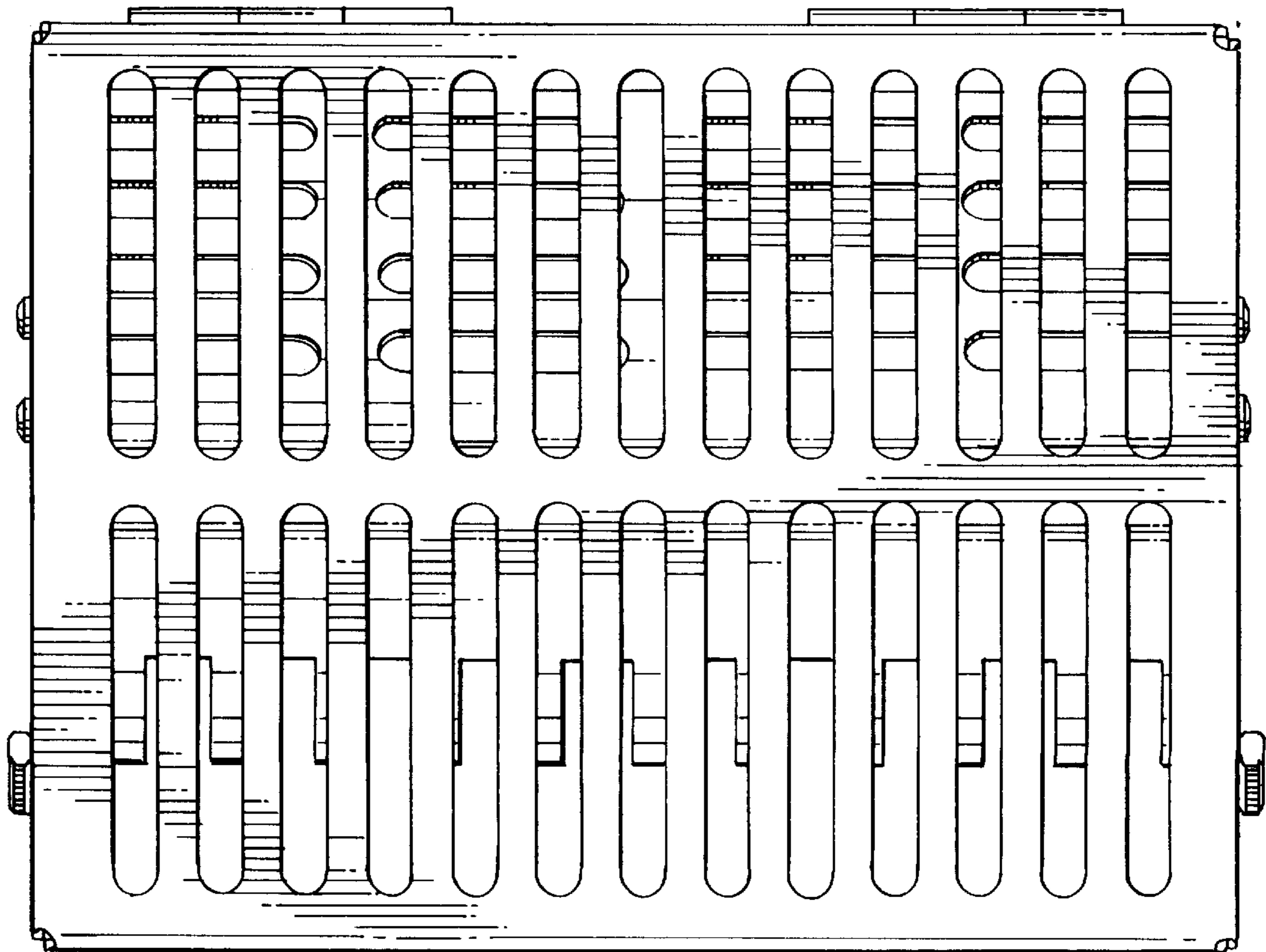
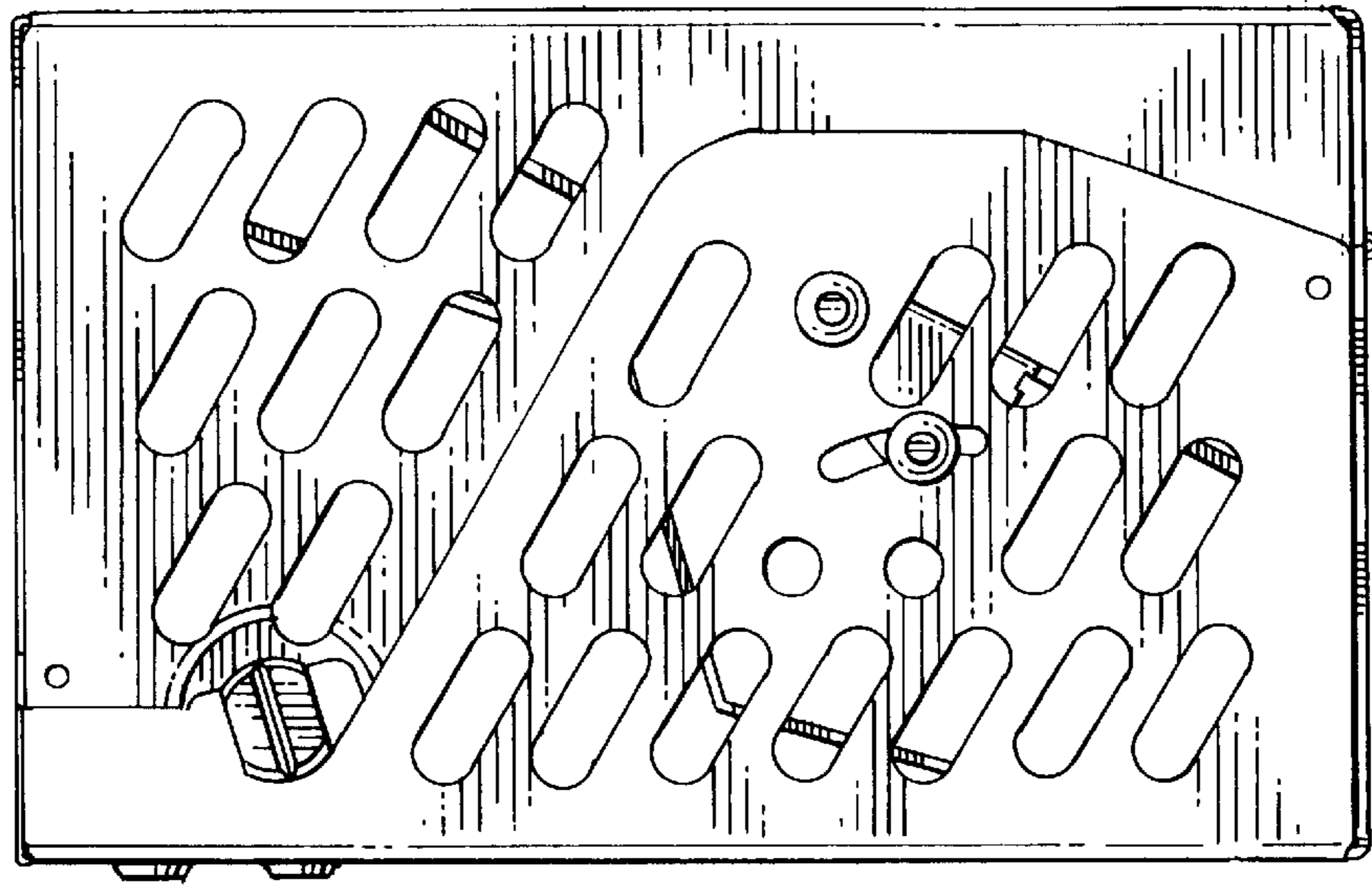


FIG. 4

FIG. 5

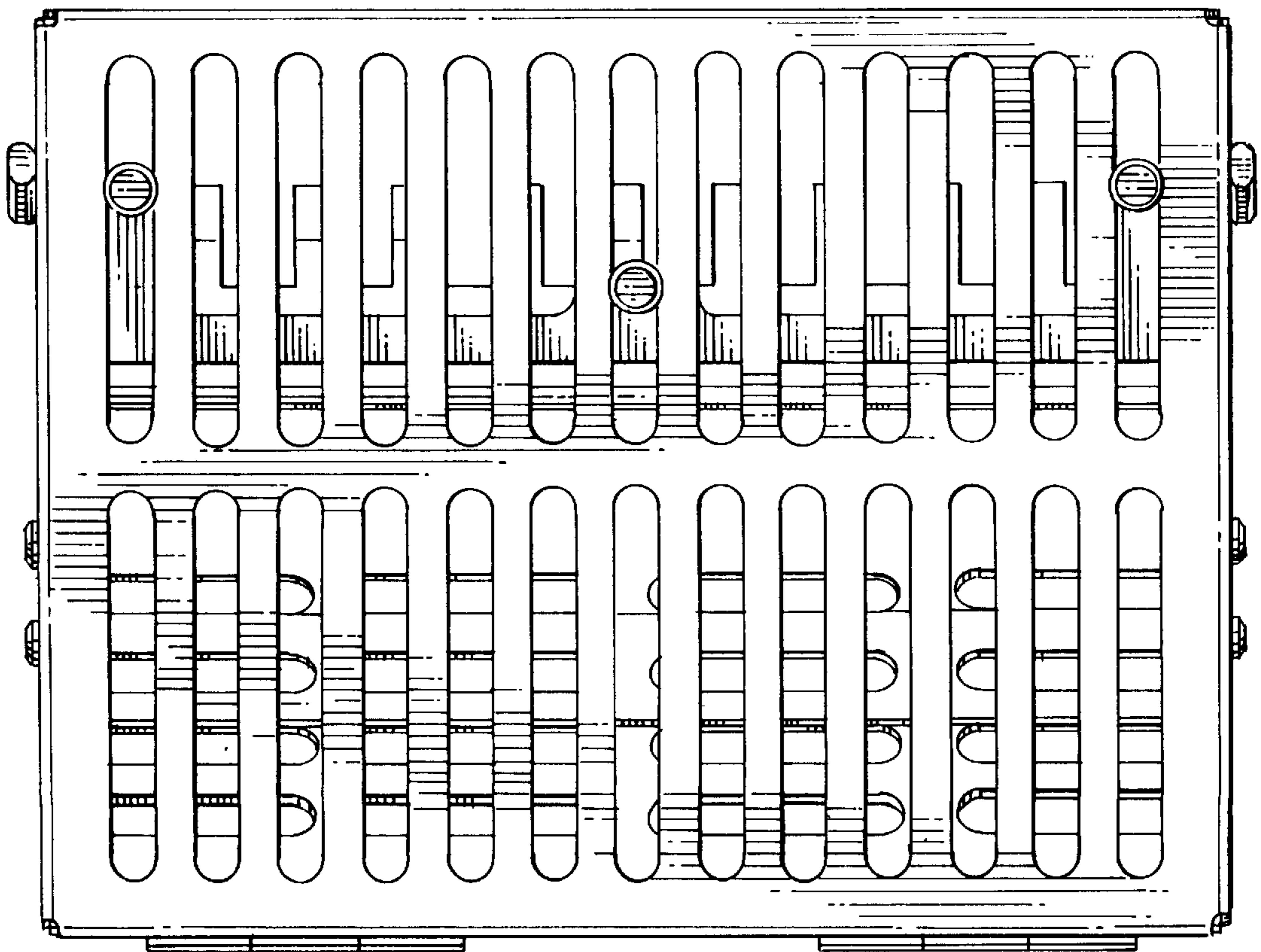
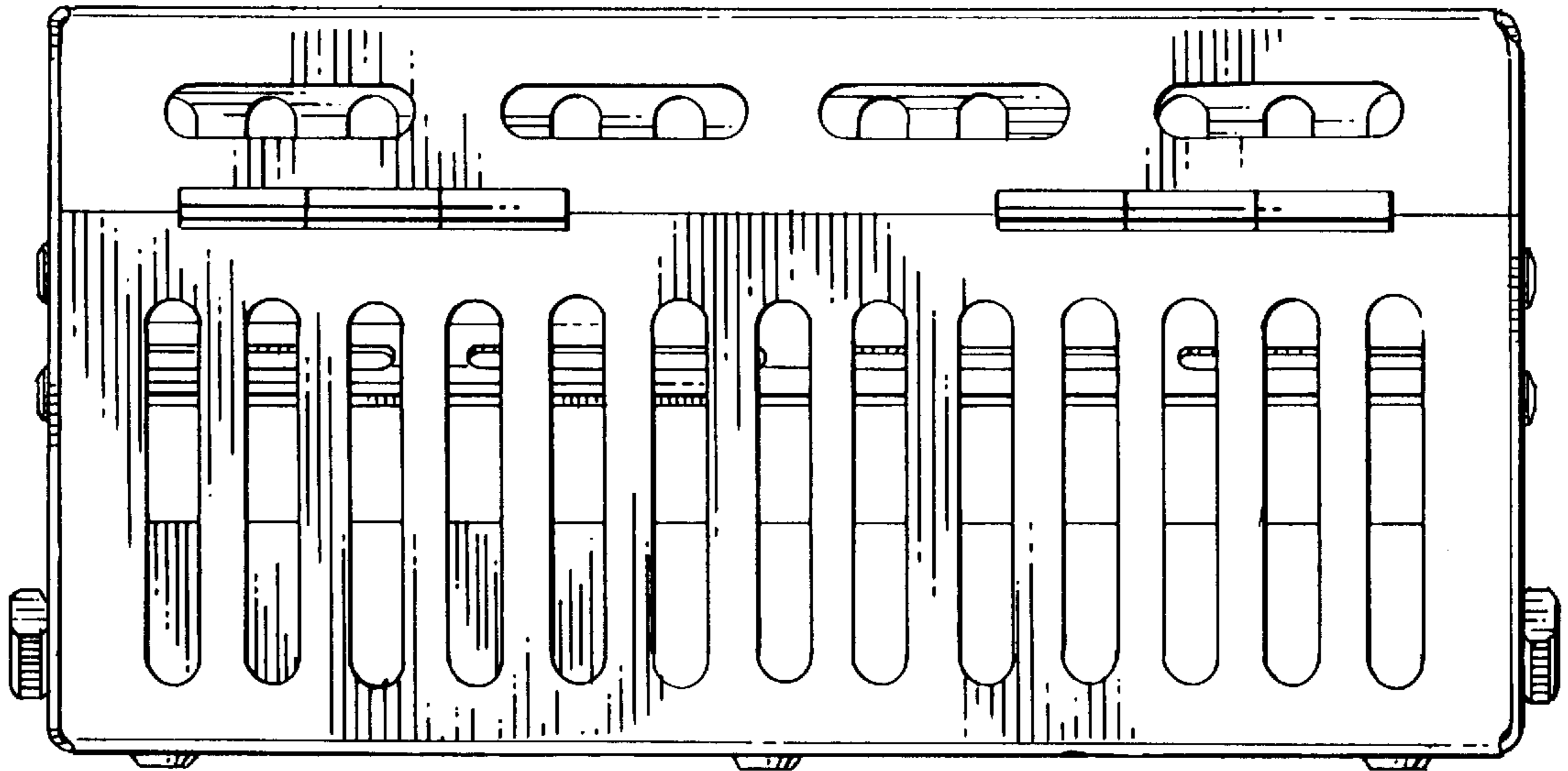


FIG. 6

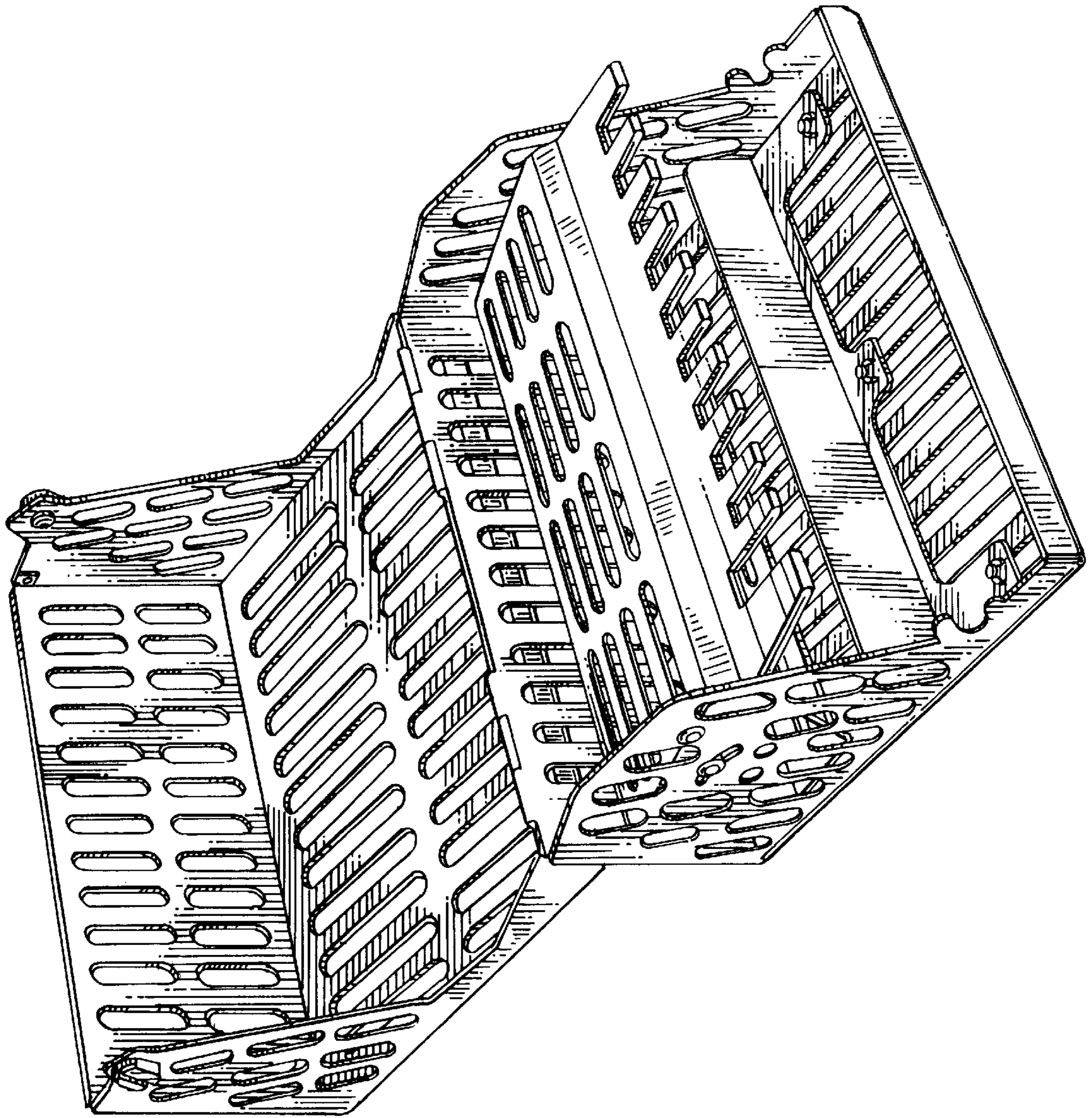


FIG. 7

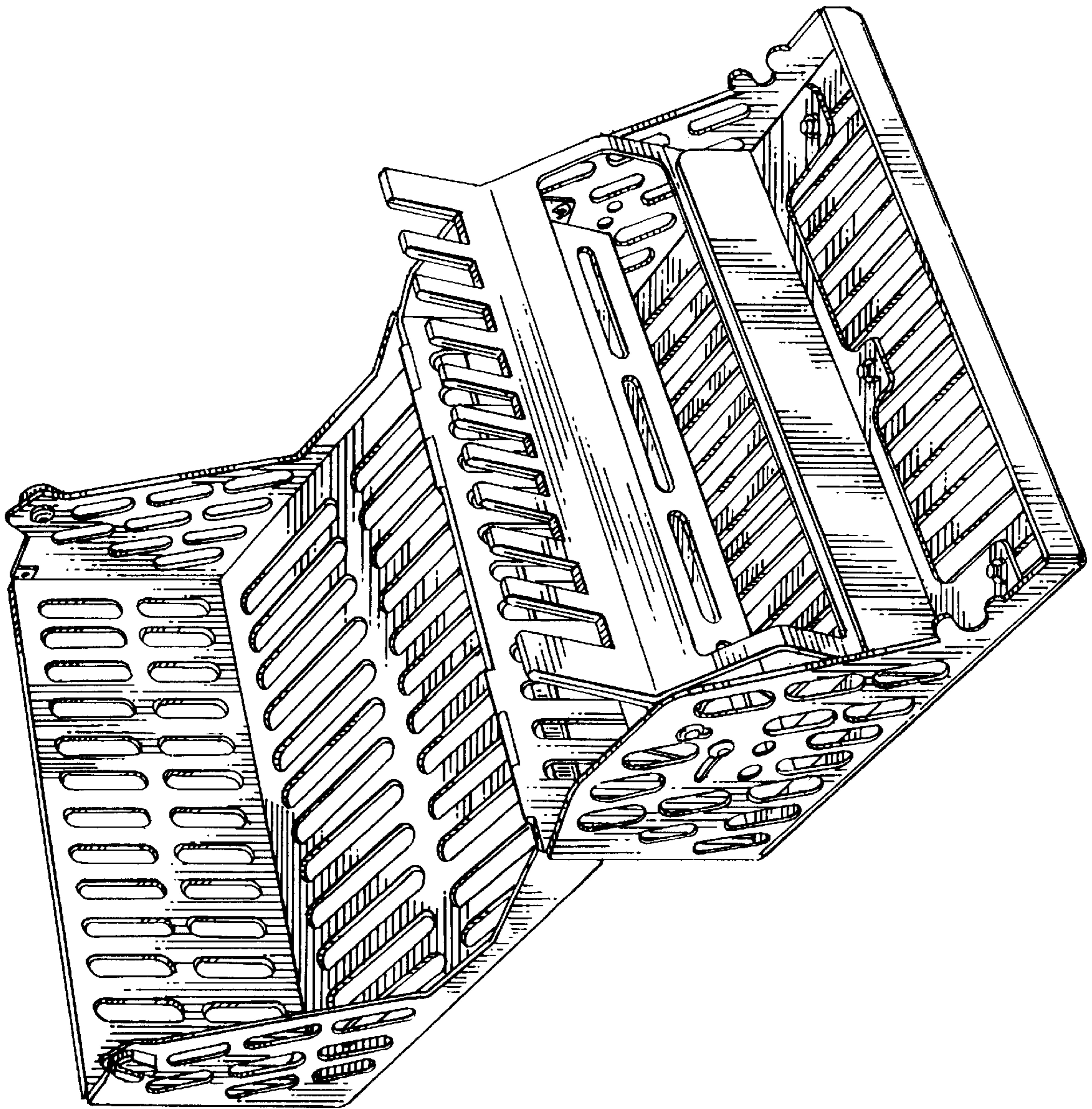


FIG. 8

FIG. 9

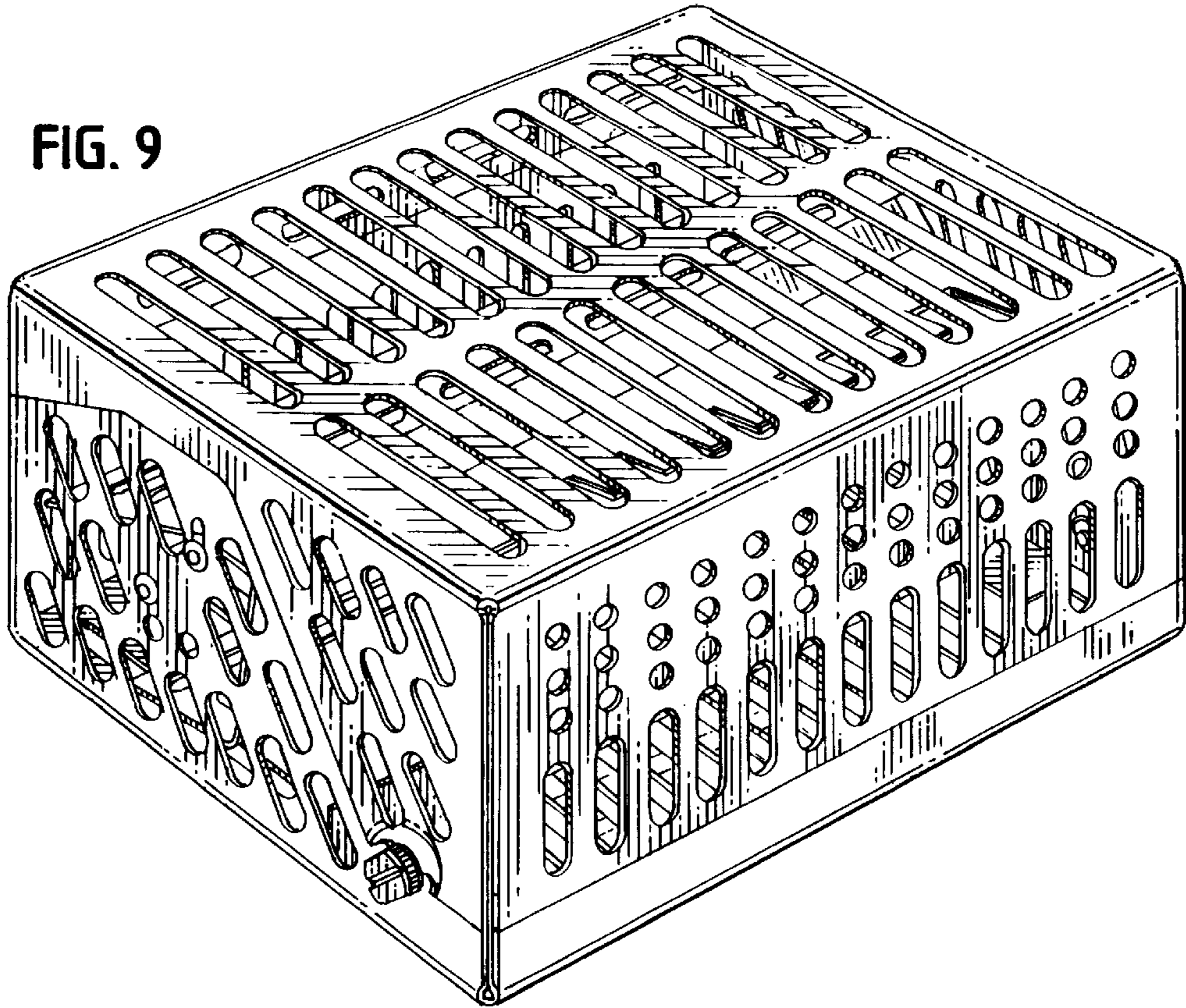
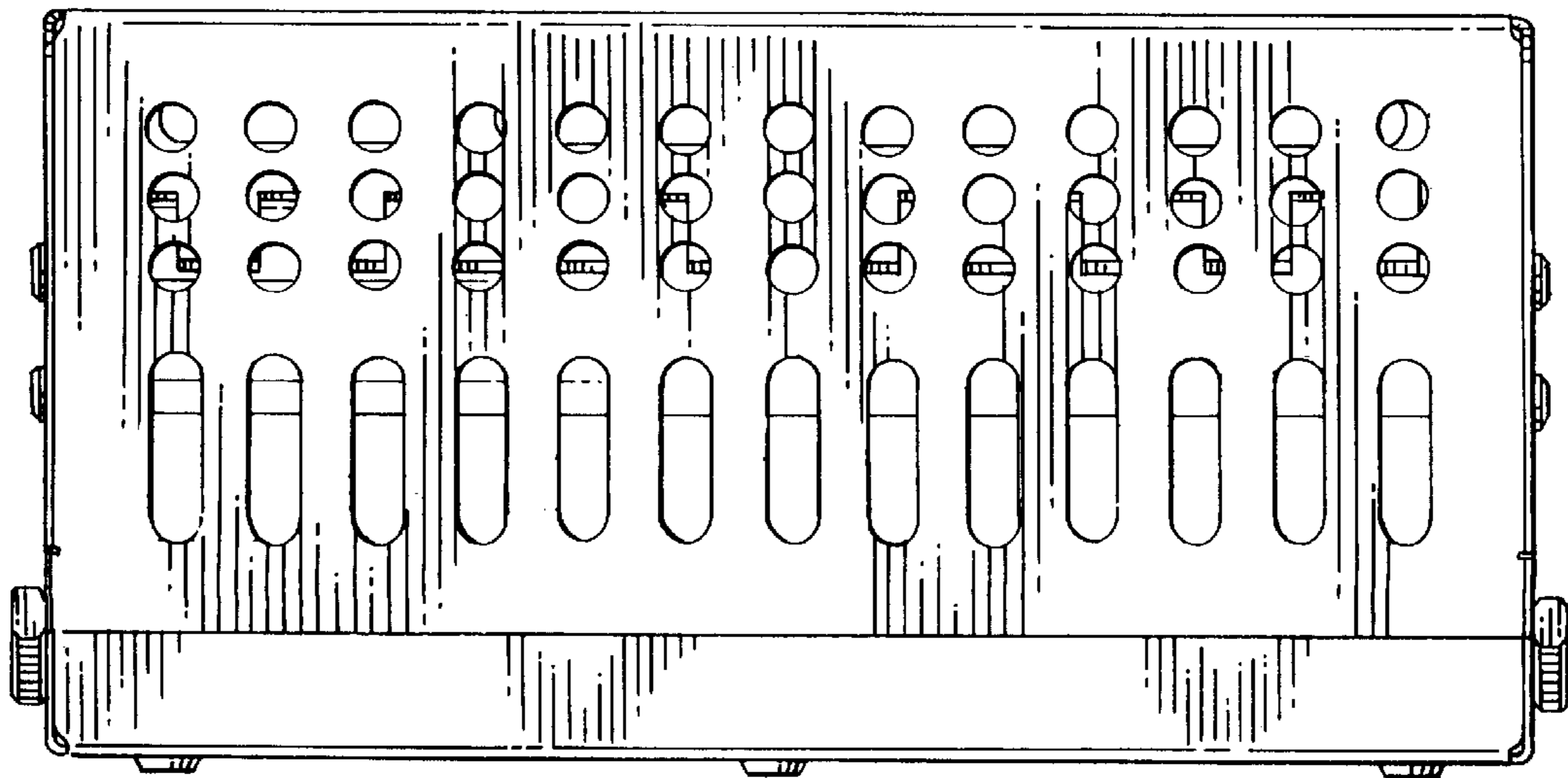


FIG. 10





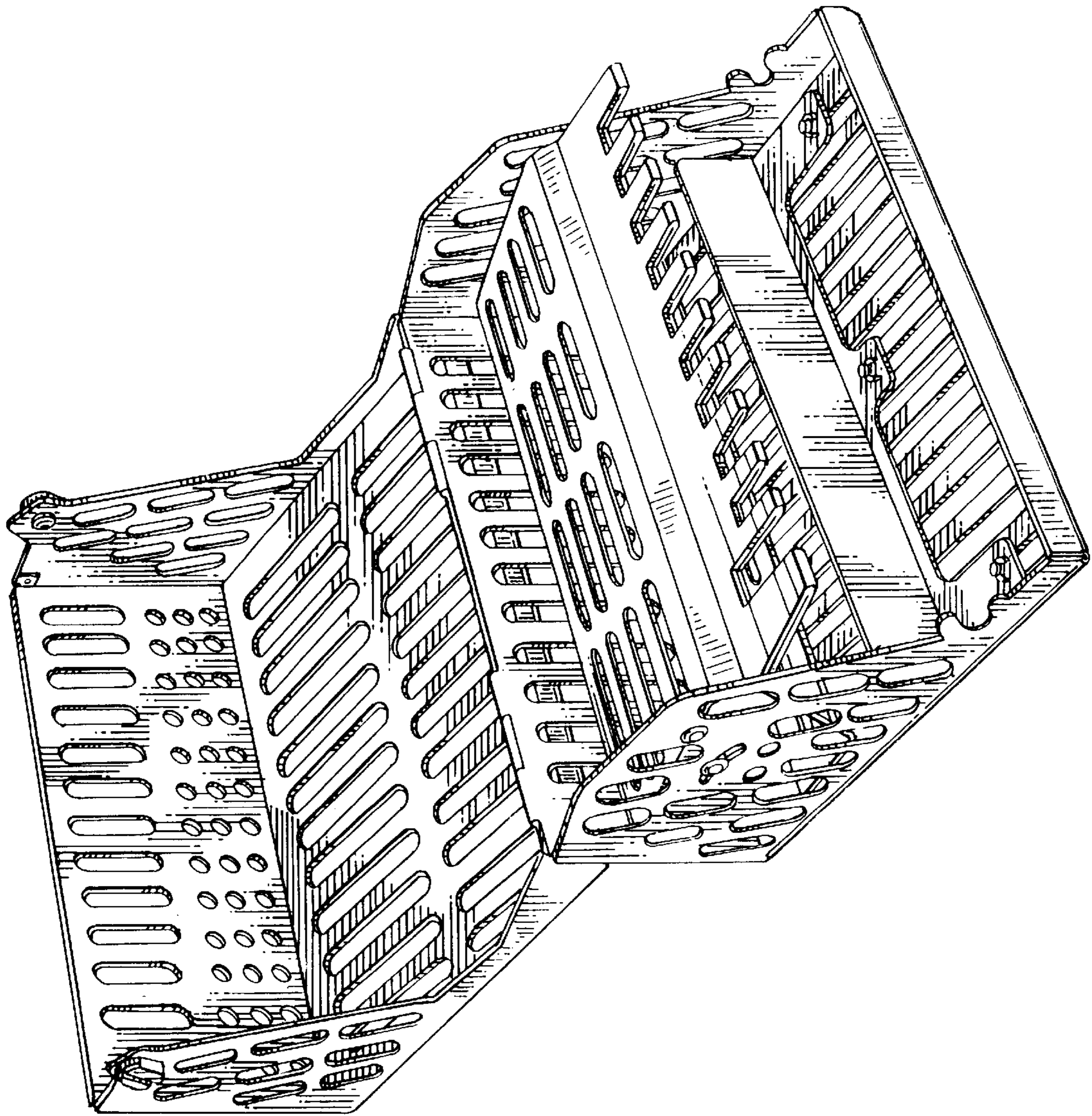


FIG. 11