



US00D441451S

(12) **United States Design Patent**
Tumey et al.

(10) **Patent No.:** **US D441,451 S**

(45) **Date of Patent:** **** May 1, 2001**

(54) **FOOT CUSHION FOR USE WITH A
MEDICAL EXAMINATION TABLE**

3,995,846 * 12/1976 Frick 5/646
4,681,309 * 7/1987 Lechaner 5/646
4,796,315 * 1/1989 Crew 5/630

(75) Inventors: **David M. Tumey; L. Tab Randolph,**
both of San Antonio, TX (US)

* cited by examiner

(73) Assignee: **KCI New Technologies, Inc.,** San
Antonio, TX (US)

Primary Examiner—Stella Reid

(74) *Attorney, Agent, or Firm*—Wayne J. Colton, Inc.

(**) Term: **14 Years**

(57) **CLAIM**

The ornamental design for a foot cushion for use with a
medical examination table, as shown and described.

(21) Appl. No.: **29/092,868**

DESCRIPTION

(22) Filed: **Aug. 29, 1998**

(51) **LOC (7) Cl.** **24-04**

(52) **U.S. Cl.** **D24/183**

(58) **Field of Search** D24/183; 5/630,
5/648, 651, 650, 636, 646, 640; D6/601

FIG. 1 is a perspective view of a foot cushion for use with
a medical examination table;

FIG. 2 is a top plan view thereof;

FIG. 3 is a front end elevational view thereof;

FIG. 4 is a rear end elevational view thereof;

FIG. 5 is a left side elevational view thereof;

FIG. 6 is a right side elevational view thereof; and,

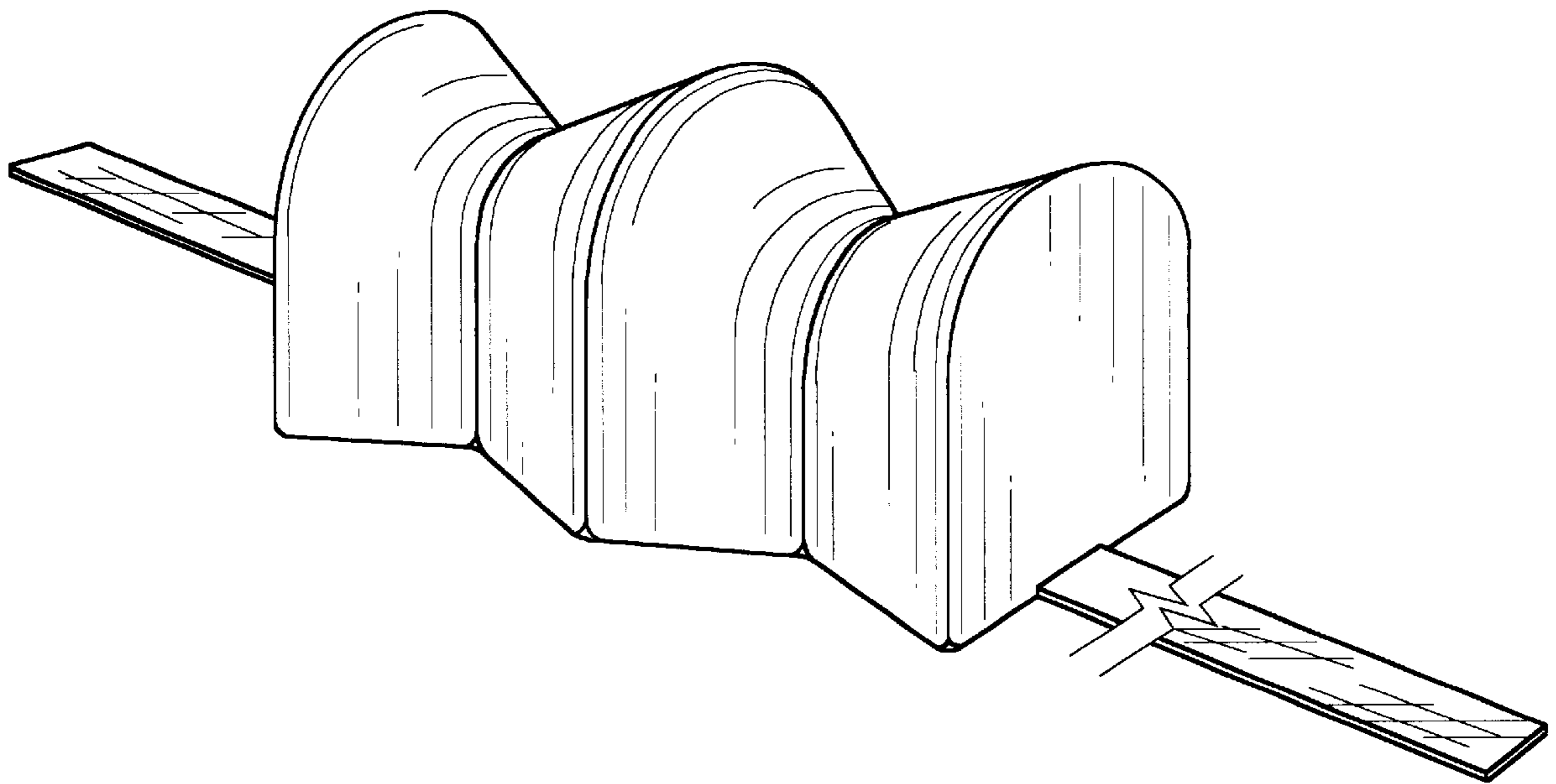
FIG. 7 is a bottom plan view thereof.

(56) **References Cited**

U.S. PATENT DOCUMENTS

D. 345,797 * 4/1994 Gardner D24/183

1 Claim, 2 Drawing Sheets



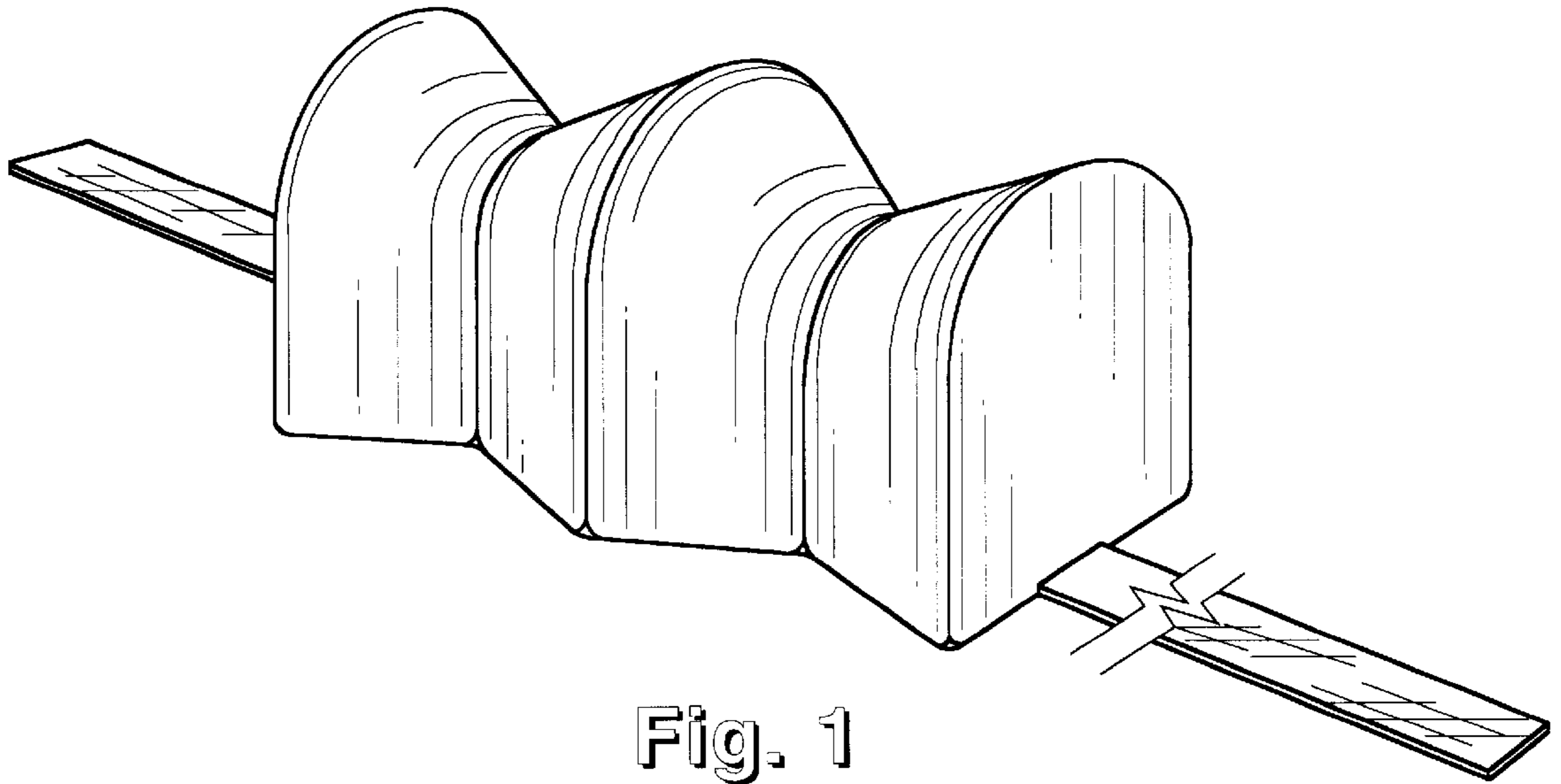


Fig. 1

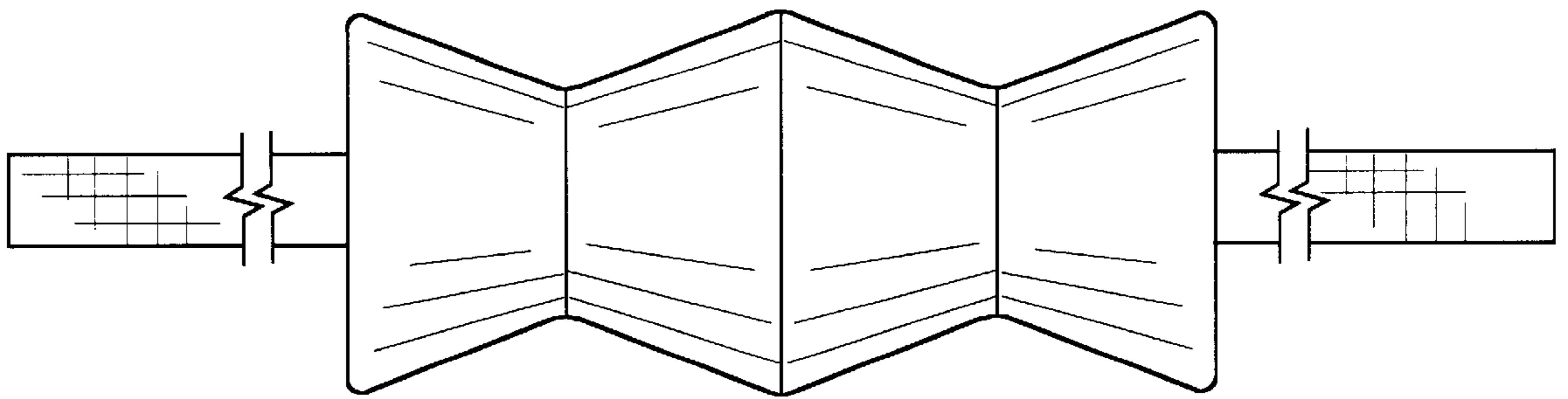


Fig. 2

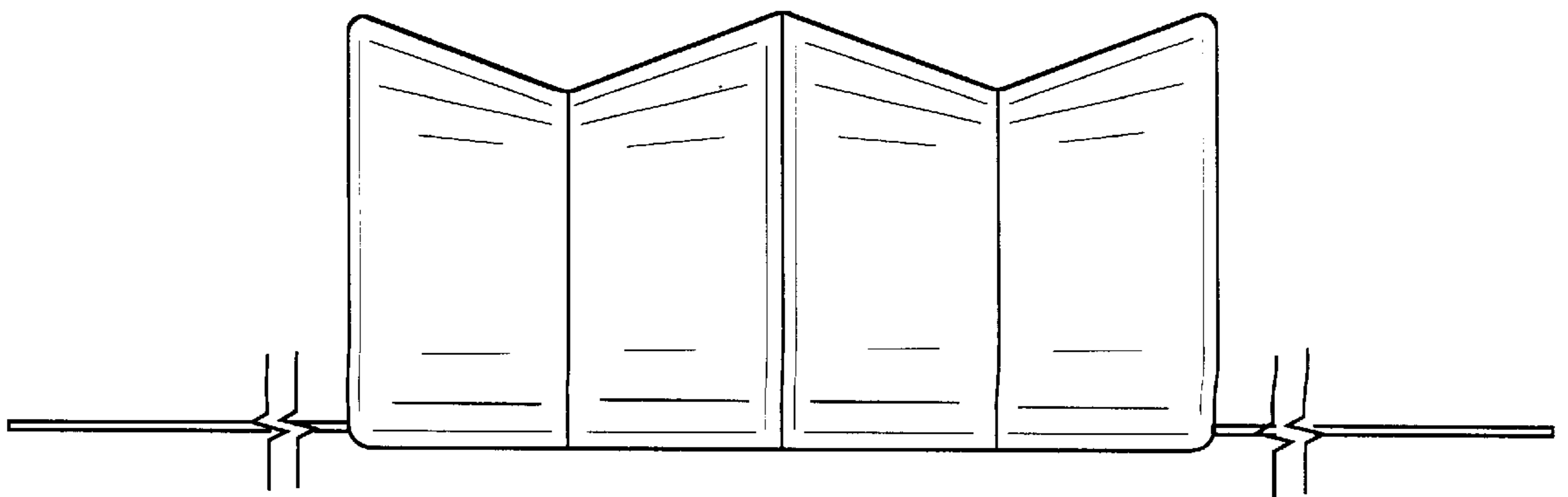


Fig. 3

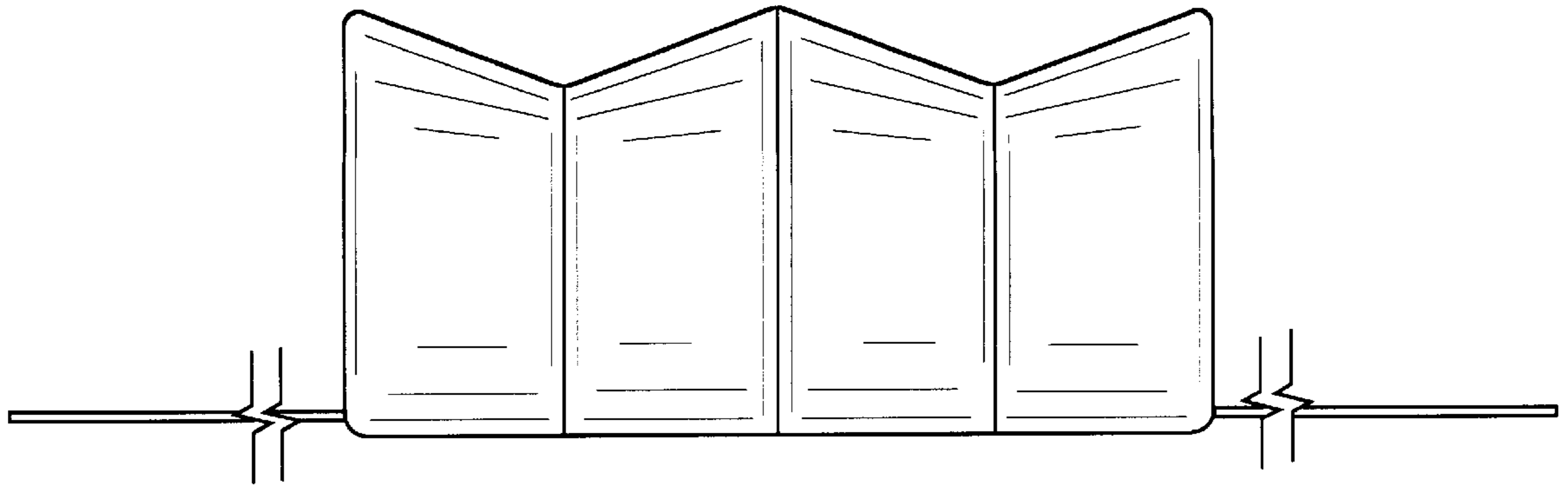


Fig. 4

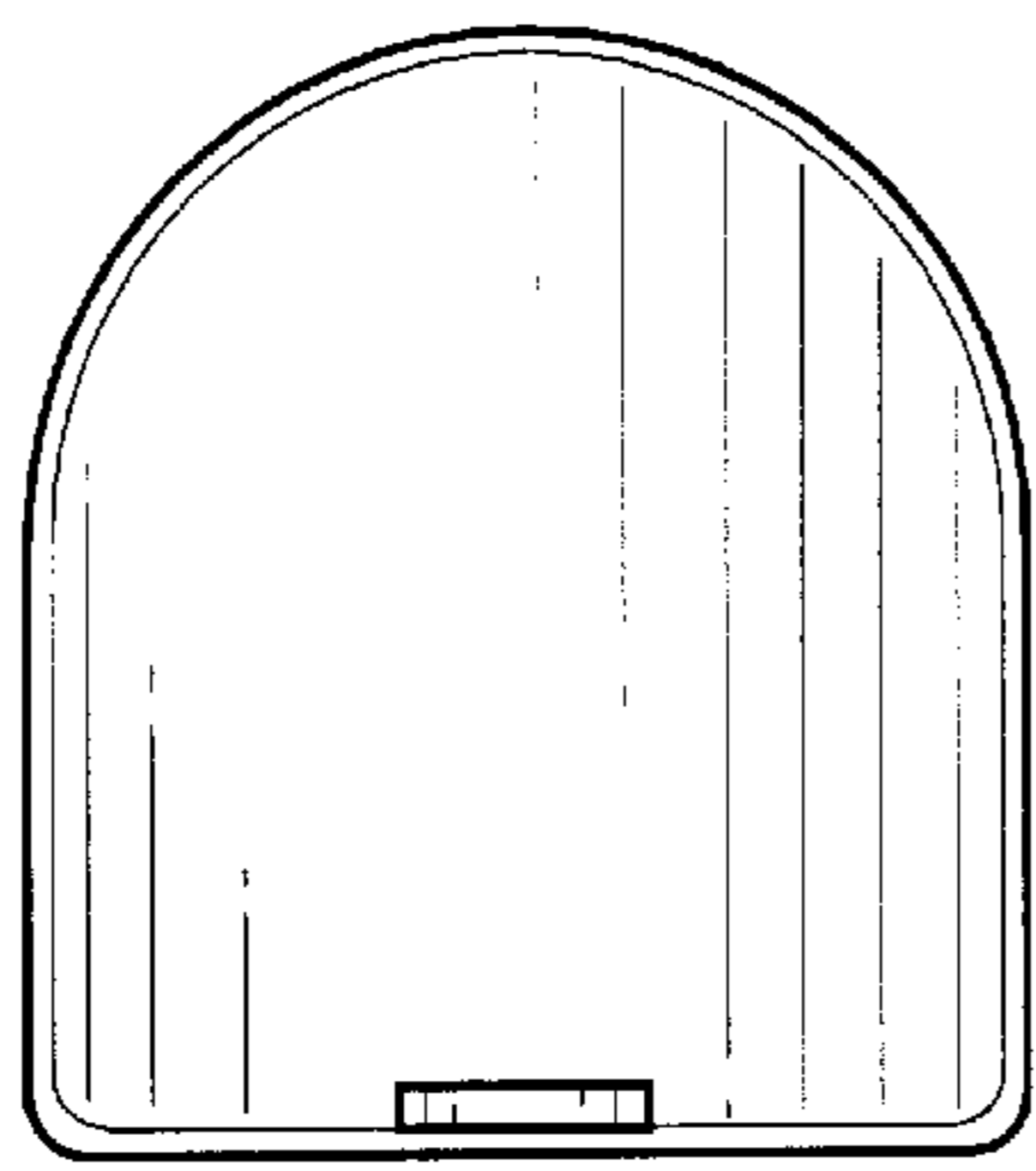


Fig. 5

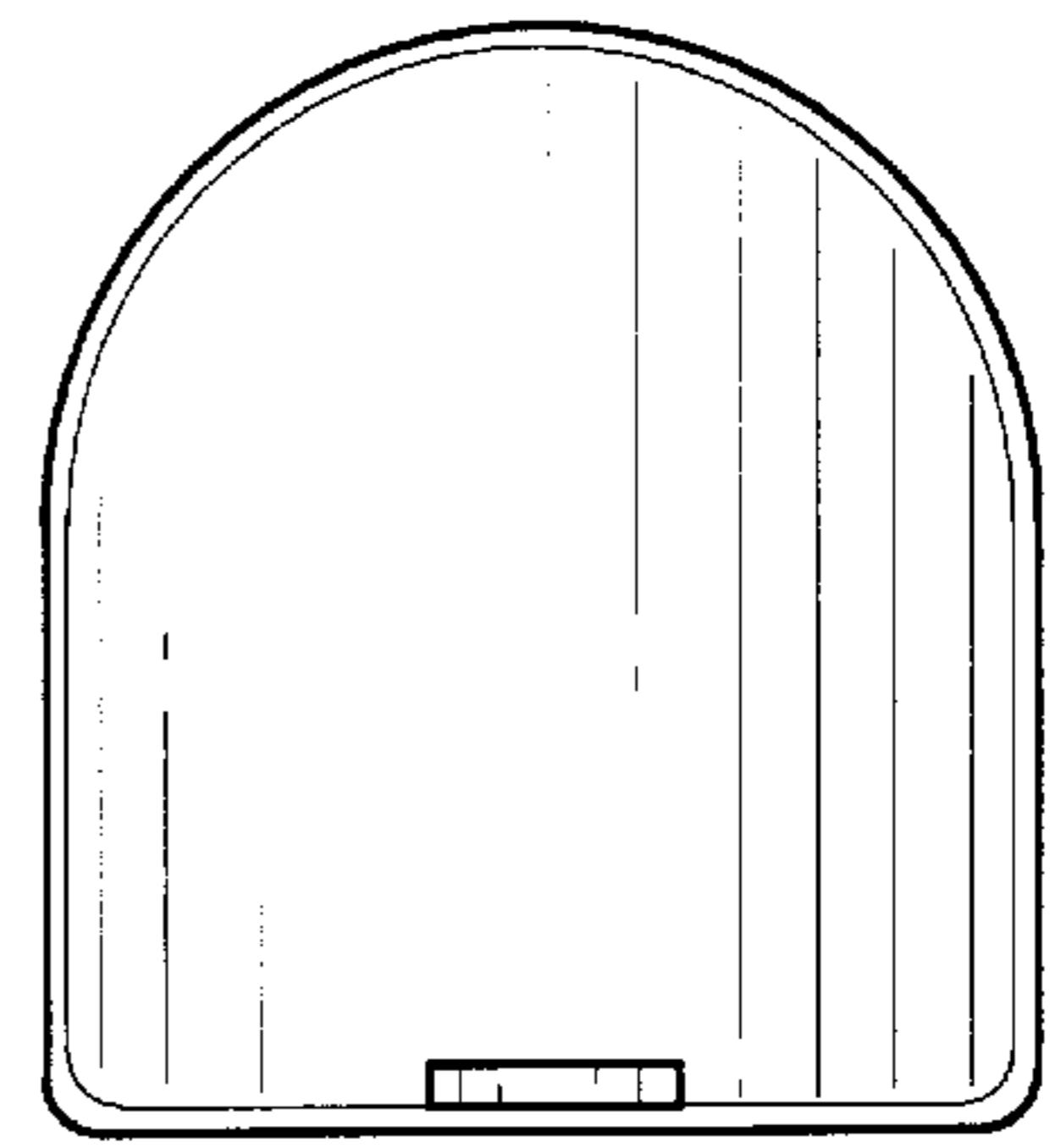


Fig. 6

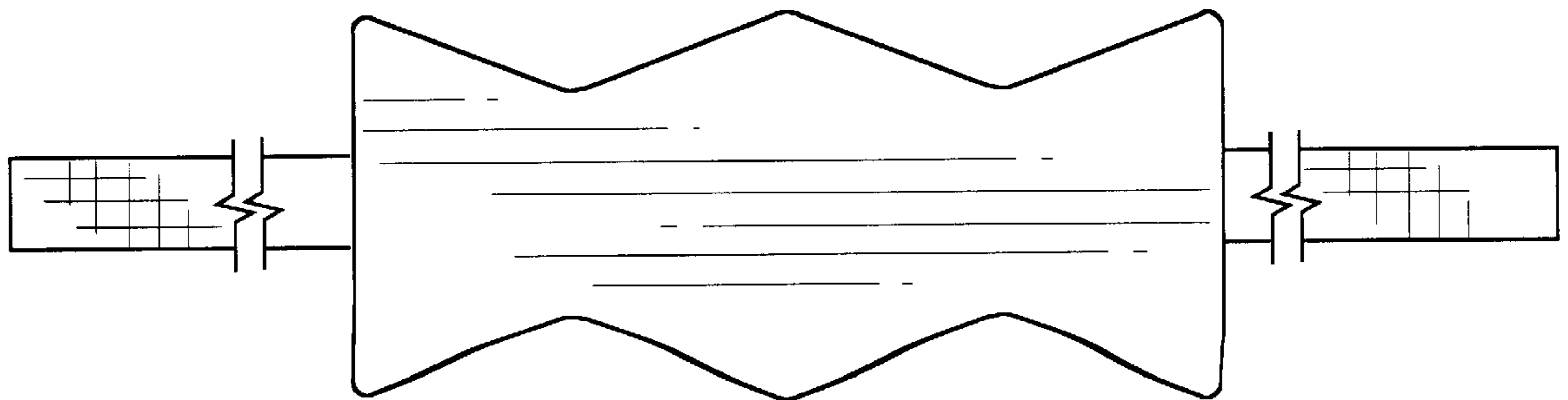


Fig. 7