



US00D441449S

(12) **United States Design Patent**
Gaskell

(10) **Patent No.:** **US D441,449 S**

(45) **Date of Patent:** **** May 1, 2001**

(54) **AIR FLOW FILTER FOR USE IN TESTING OR TREATMENT OF THE RESPIRATORY FUNCTION OF PATIENTS**

(75) Inventor: **John Gaskell, Dandenong (AU)**

(73) Assignee: **RJ & VK Bird PTY LTD, Middle Park (AU)**

(**) Term: **14 Years**

(21) Appl. No.: **29/121,756**

(22) Filed: **Apr. 12, 2000**

(30) **Foreign Application Priority Data**

Oct. 12, 1999 (AU) 3338/99

(51) **LOC (7) Cl.** **24-01**

(52) **U.S. Cl.** **D24/162**

(58) **Field of Search** D24/162; 128/204.17, 128/204.13, 205.12, 205.27, 205.29, 201.13; 55/491, 498, 501, 511, 514; 210/493.1, 493.2, 493.5, 446, 445

(56) **References Cited**

U.S. PATENT DOCUMENTS

D. 267,117 * 11/1982 Rosenberg D24/162

D. 305,934 * 2/1990 Sone D24/162

D. 358,213 * 5/1995 Sutton et al. D24/162
3,782,083 * 1/1974 Rosenberg 55/491
3,932,153 * 1/1976 Byrns 128/205.29 X
4,113,627 * 9/1978 Leason 210/446
5,035,236 * 7/1991 Kanegaonkar 128/201.13
5,195,527 * 3/1993 Hicks 128/205.12

* cited by examiner

Primary Examiner—Stella Reid

(57) **CLAIM**

The ornamental design for an air flow filter for use in testing or treatment of the respiratory function of patients, as shown and described.

DESCRIPTION

FIG. 1 is a rear perspective view of an air flow filter for use in testing or treatment of the respiratory function of patients, showing my new design;

FIG. 2 is a front perspective view thereof;

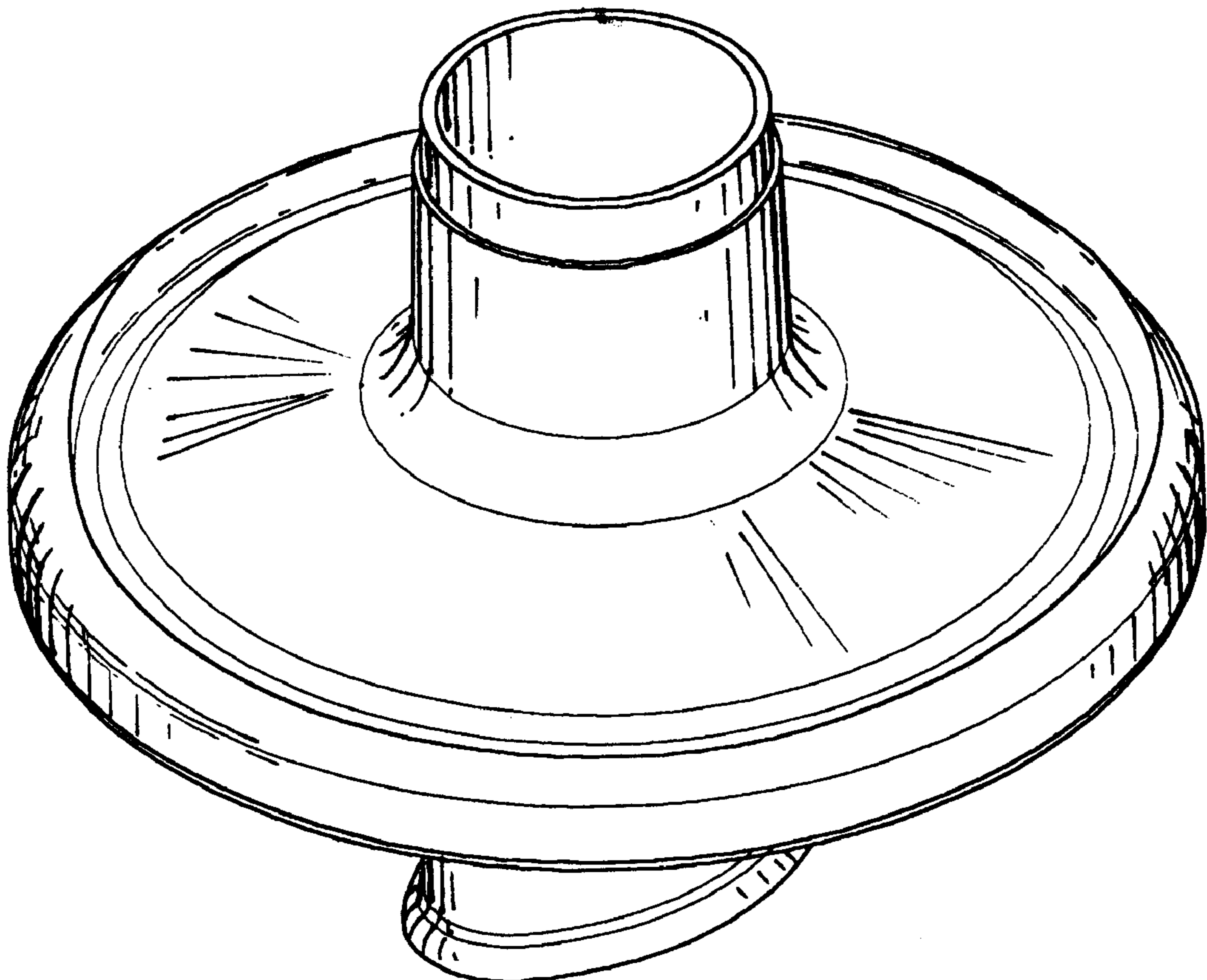
FIG. 3 is a side elevation view thereof, the opposite side elevation being identical;

FIG. 4 is a front elevation view thereof;

FIG. 5 is a top plan view thereof, the bottom plan view being identical; and,

FIG. 6 is a rear elevation view thereof.

1 Claim, 3 Drawing Sheets



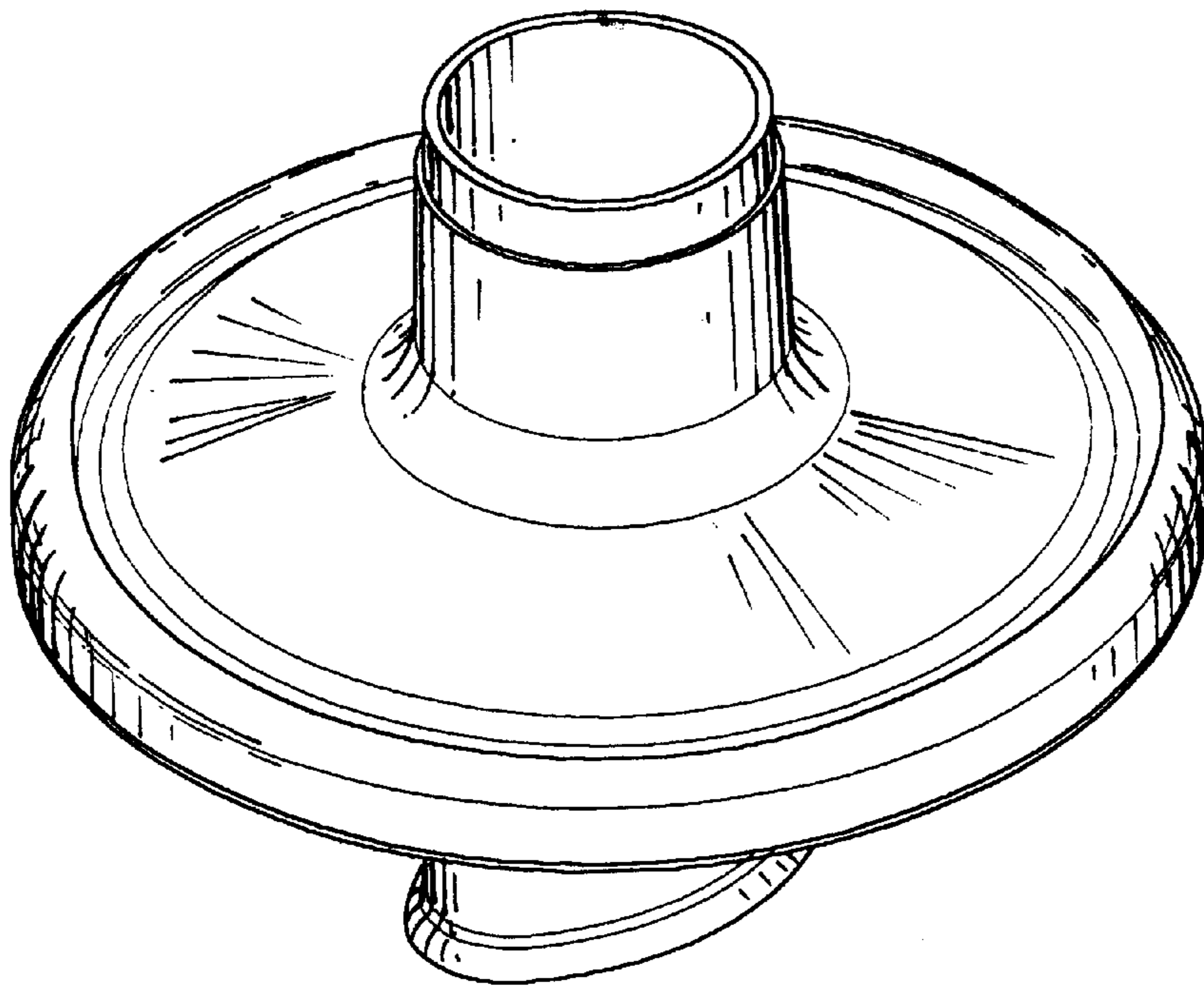


FIG. 1.

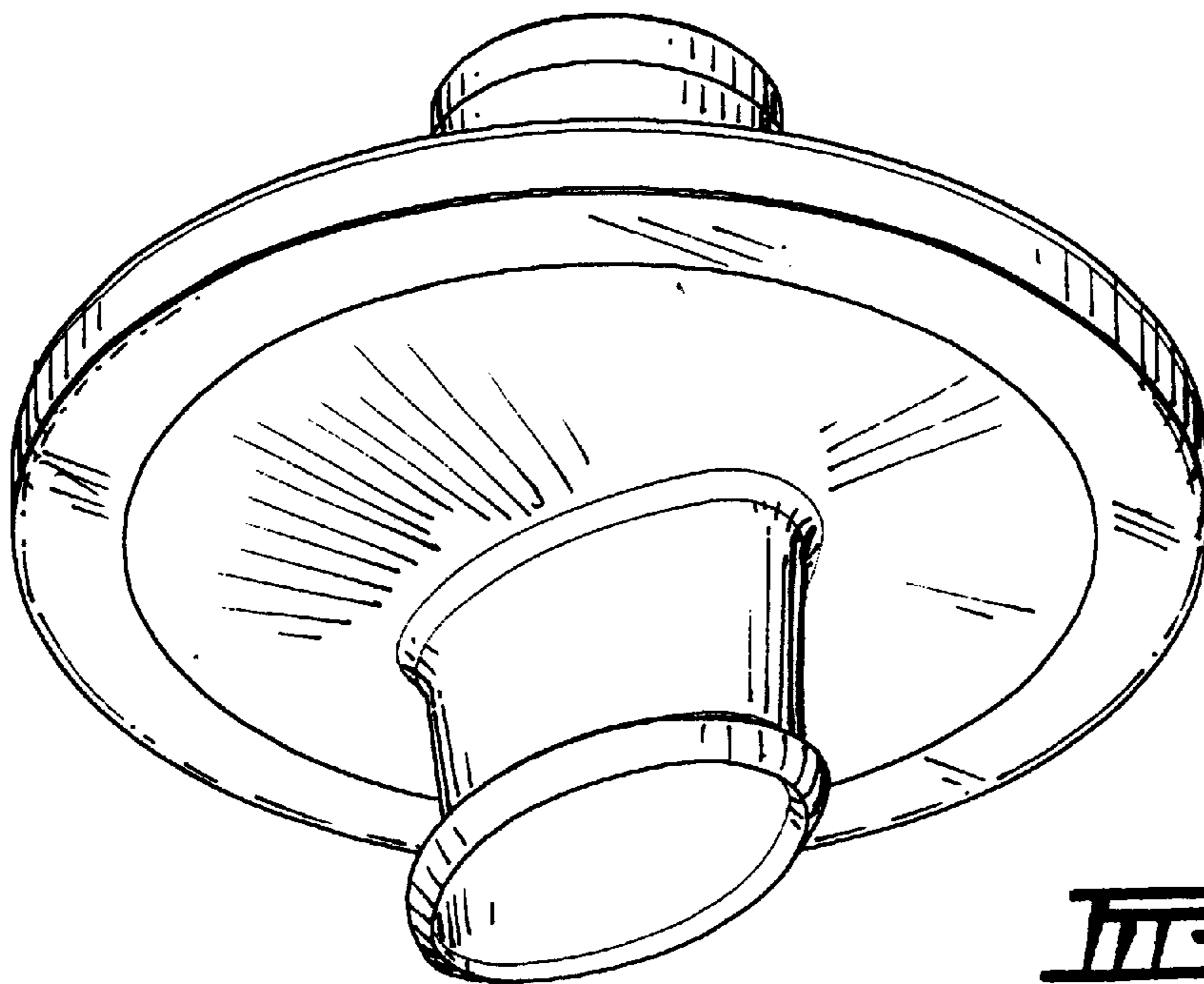
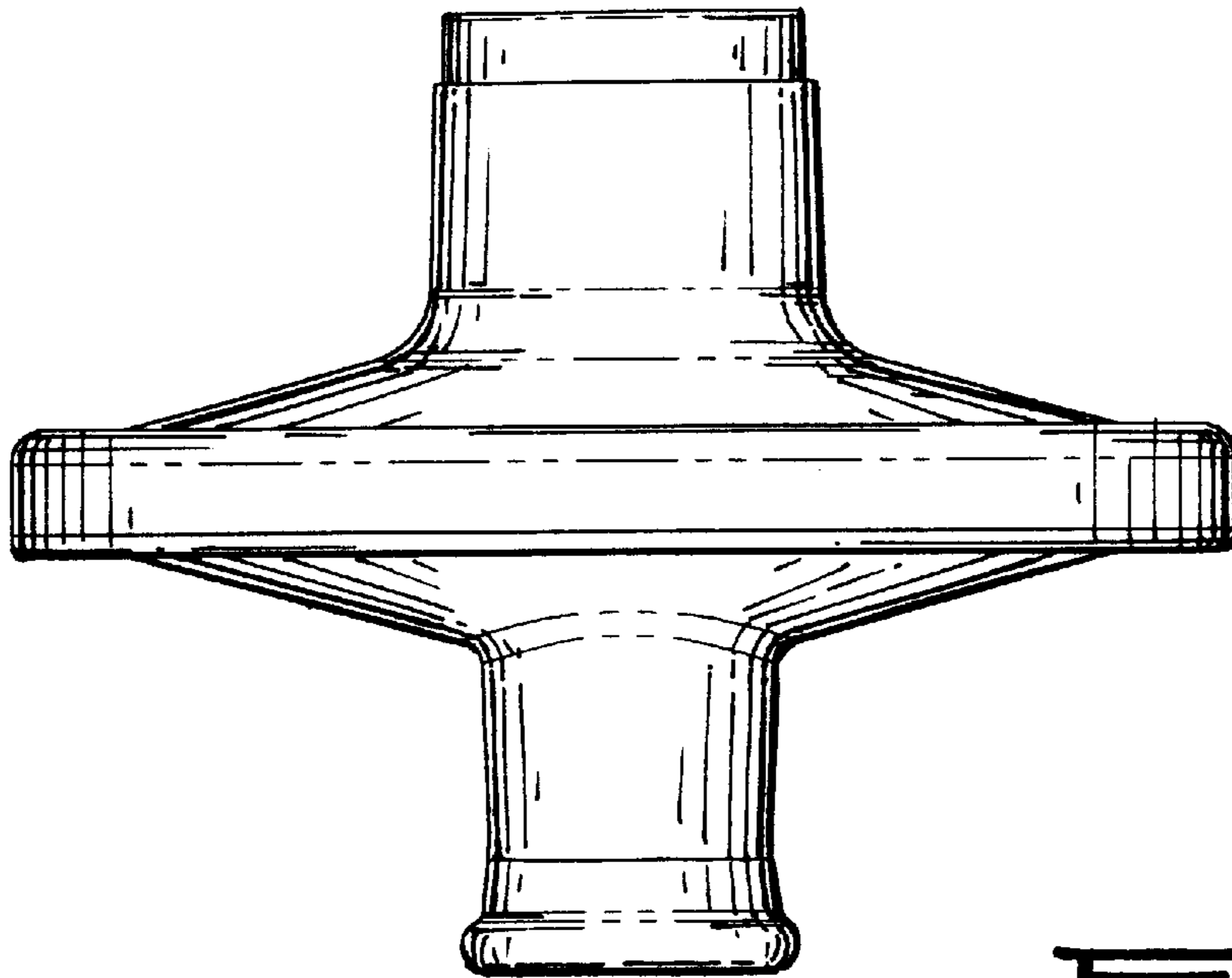
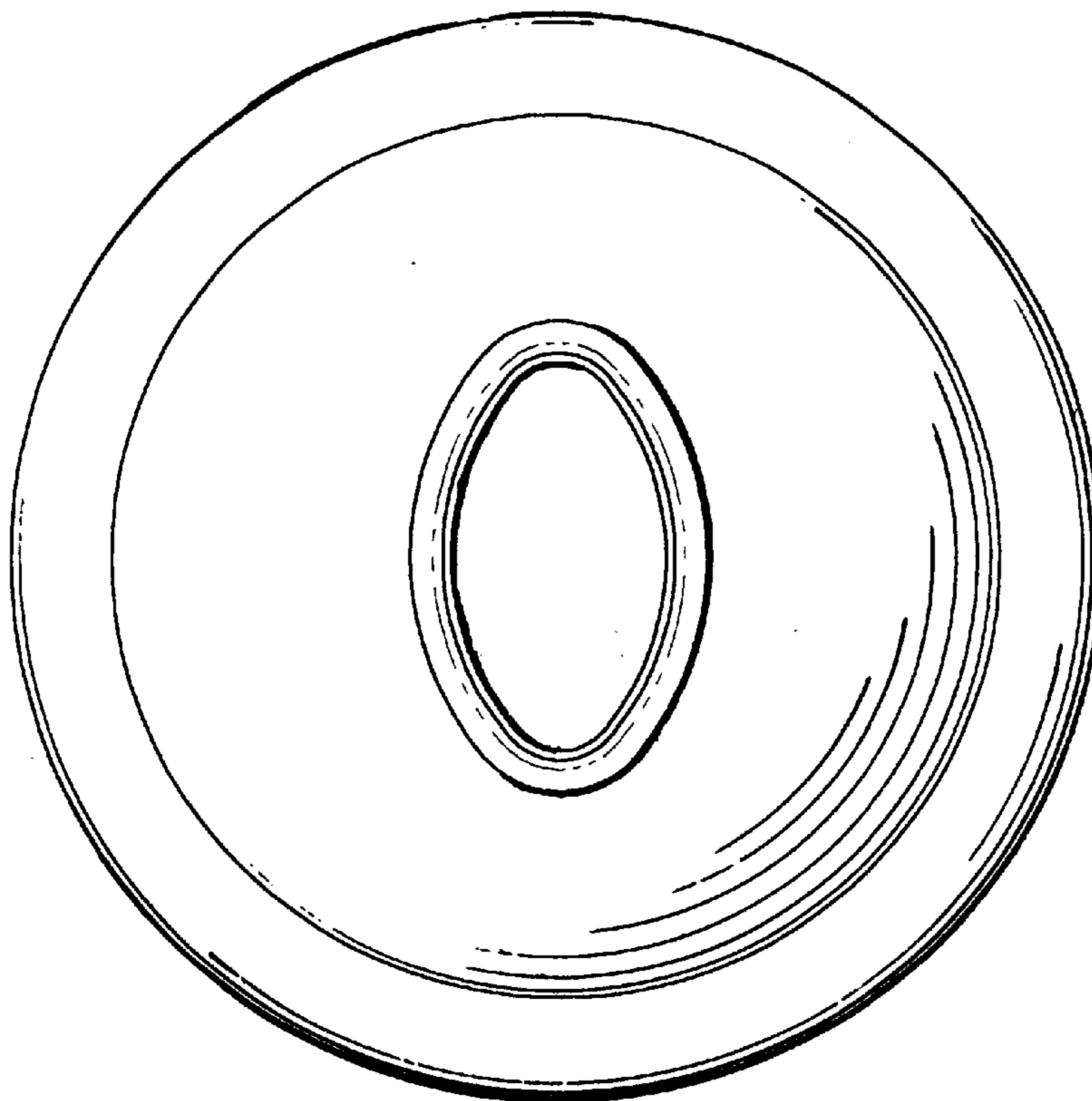


FIG. 2.



III. 3.



III. 4.

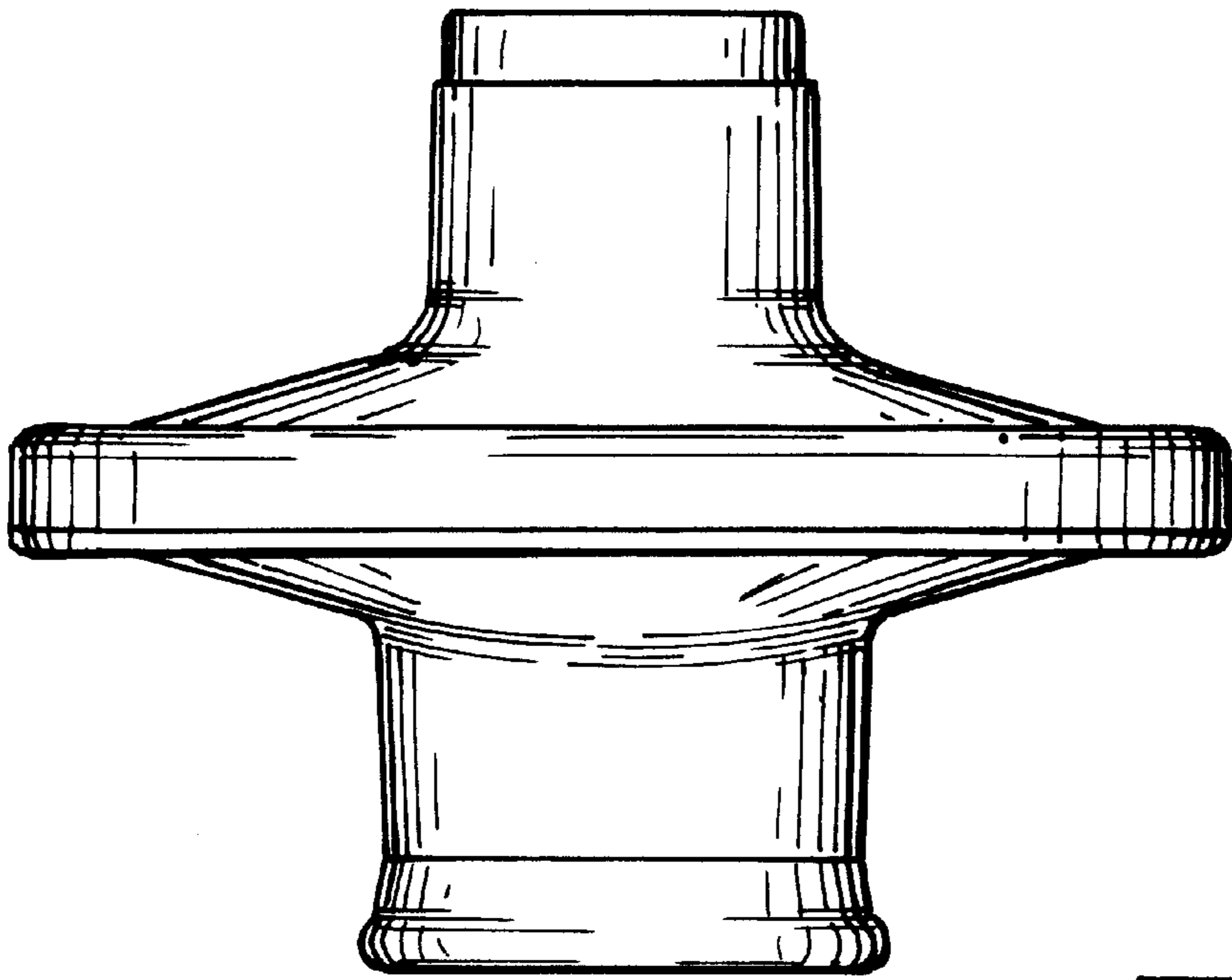


FIG. 5.

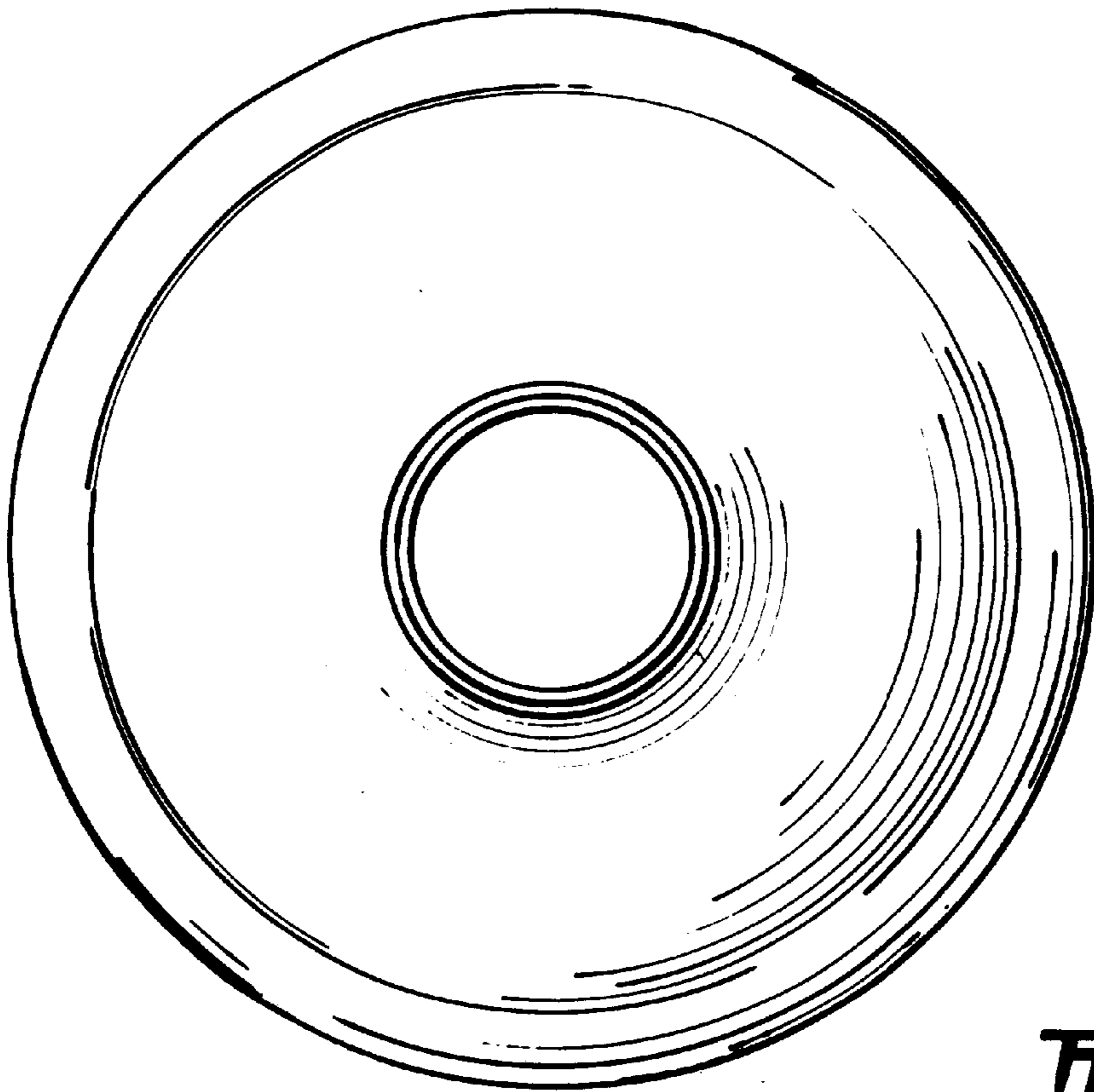


FIG. 6.