



US00D441448S

(12) **United States Design Patent**
Kumar

(10) **Patent No.:** **US D441,448 S**

(45) **Date of Patent:** **** May 1, 2001**

- (54) **SNAP-IN IMPRESSION COPING**
- (75) Inventor: **Ajay Kumar**, Palmdale, CA (US)
- (73) Assignee: **Nobel Biocare USA, Inc**, Yorba Linda, CA (US)
- (**) Term: **14 Years**
- (21) Appl. No.: **29/122,967**
- (22) Filed: **May 8, 2000**
- (51) **LOC (7) Cl.** **24-03**
- (52) **U.S. Cl.** **D24/156**
- (58) **Field of Search** D24/156; 433/172, 433/213, 214, 173-176

- 5,556,280 9/1996 Pelak .
- 5,630,717 5/1997 Zuest et al. .
- 5,688,123 11/1997 Meiers et al. .
- 5,704,788 1/1998 Milne .
- 5,733,123 3/1998 Blacklock et al. .
- 5,762,500 6/1998 Lazarof .
- 5,782,918 7/1998 Klardie et al. .
- 5,829,981 11/1998 Ziegler .
- 5,897,320 4/1999 Gittleman .
- 5,904,483 5/1999 Wade .
- 5,947,736 9/1999 Behrend .
- 6,012,923 1/2000 Bassett et al. .
- 6,030,219 2/2000 Zuest et al. .
- 6,068,478 5/2000 Grande et al. .
- 6,149,433 * 11/2000 Ziegler et al. 433/214

* cited by examiner

Primary Examiner—Antoine Duval Davis
(74) *Attorney, Agent, or Firm*—Knobbe, Martens, Olson & Bear LLP

(56) **References Cited**

U.S. PATENT DOCUMENTS

- 3,760,502 9/1973 Hirsch .
- 4,158,256 6/1979 Wiland et al. .
- 4,324,549 4/1982 Madray .
- 4,380,436 4/1983 Kipp .
- 4,416,629 11/1983 Mozsary et al. .
- 4,540,367 9/1985 Sulc .
- 4,571,185 2/1986 Rota .
- 4,681,542 7/1987 Baum .
- 4,715,817 12/1987 Zuest et al. .
- 4,722,688 2/1988 Lonca .
- 5,030,094 7/1991 Nardi et al. .
- 5,030,096 7/1991 Hurson et al. .
- 5,125,840 6/1992 Durr et al. .
- 5,211,561 5/1993 Graub .
- 5,246,368 9/1993 Sillard .
- 5,417,570 5/1995 Zuest et al. .
- 5,437,551 8/1995 Chalifoux .
- 5,492,471 2/1996 Singer .

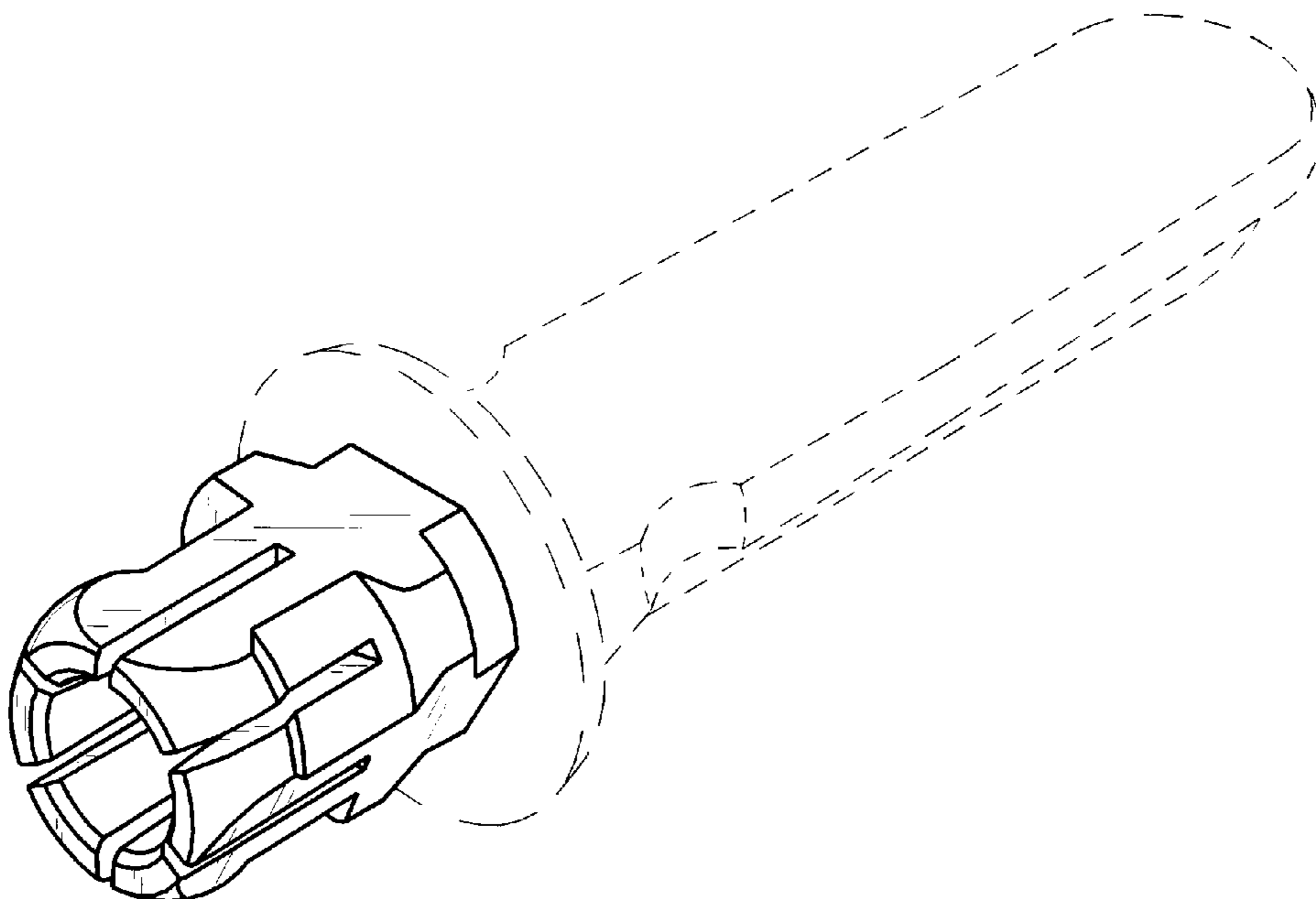
(57) **CLAIM**

The ornamental design for a snap-in impression coping, as shown and described.

DESCRIPTION

FIG. 1 is a perspective view of the snap-in impression coping of the present invention. FIG. 2 is a bottom plan view thereof; FIG. 3 is a right side elevational view, the left side elevational view being the same image thereof; FIG. 4 is a top plan view thereof; and, FIG. 5 is a front elevational view thereof. The broken line showing is for illustrative purposes only and forms no part of the claimed design.

1 Claim, 2 Drawing Sheets



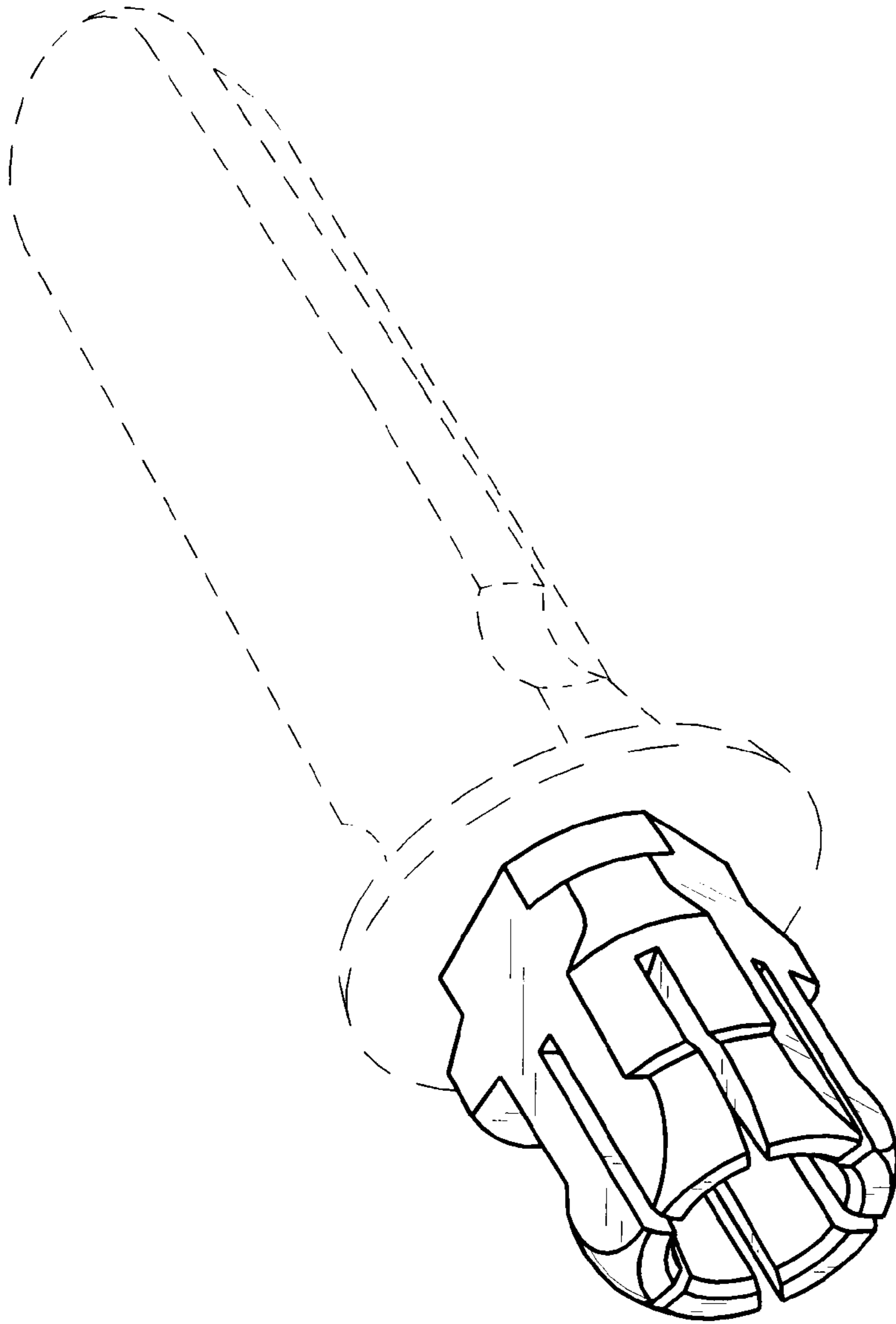


FIG. 1

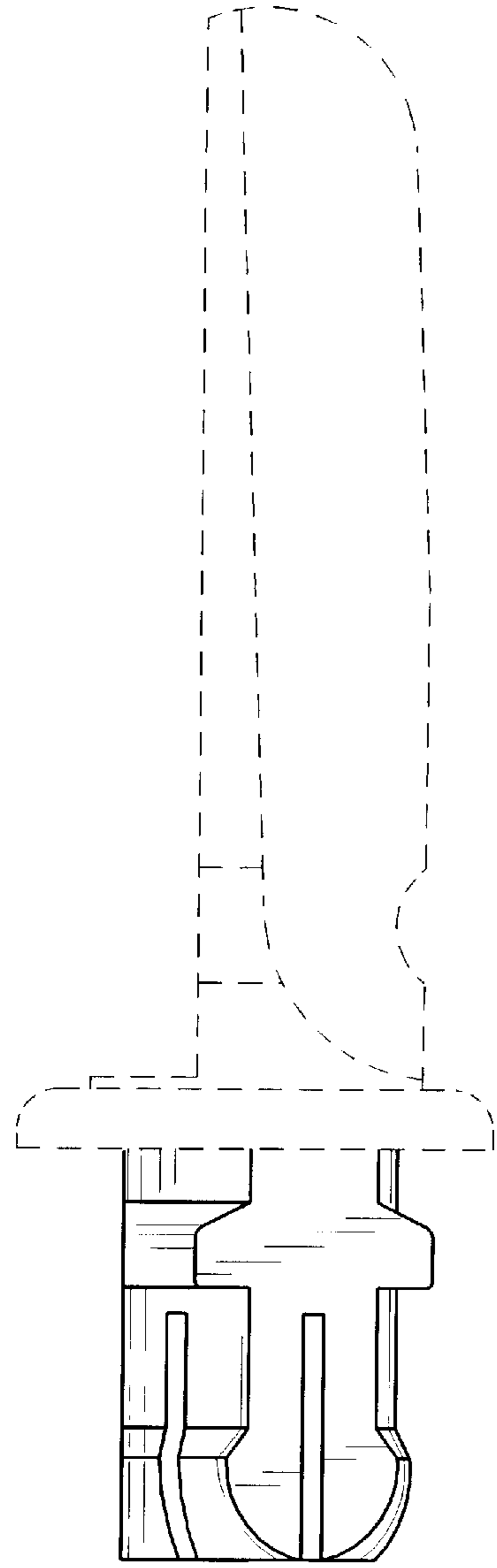


FIG. 2

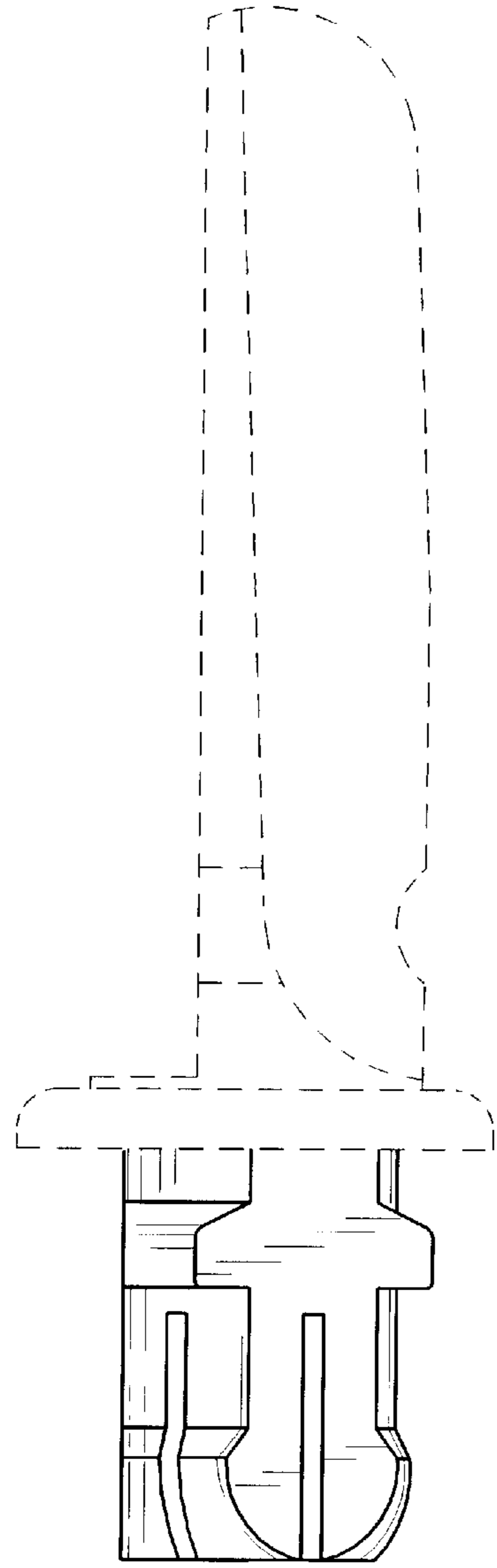


FIG. 3

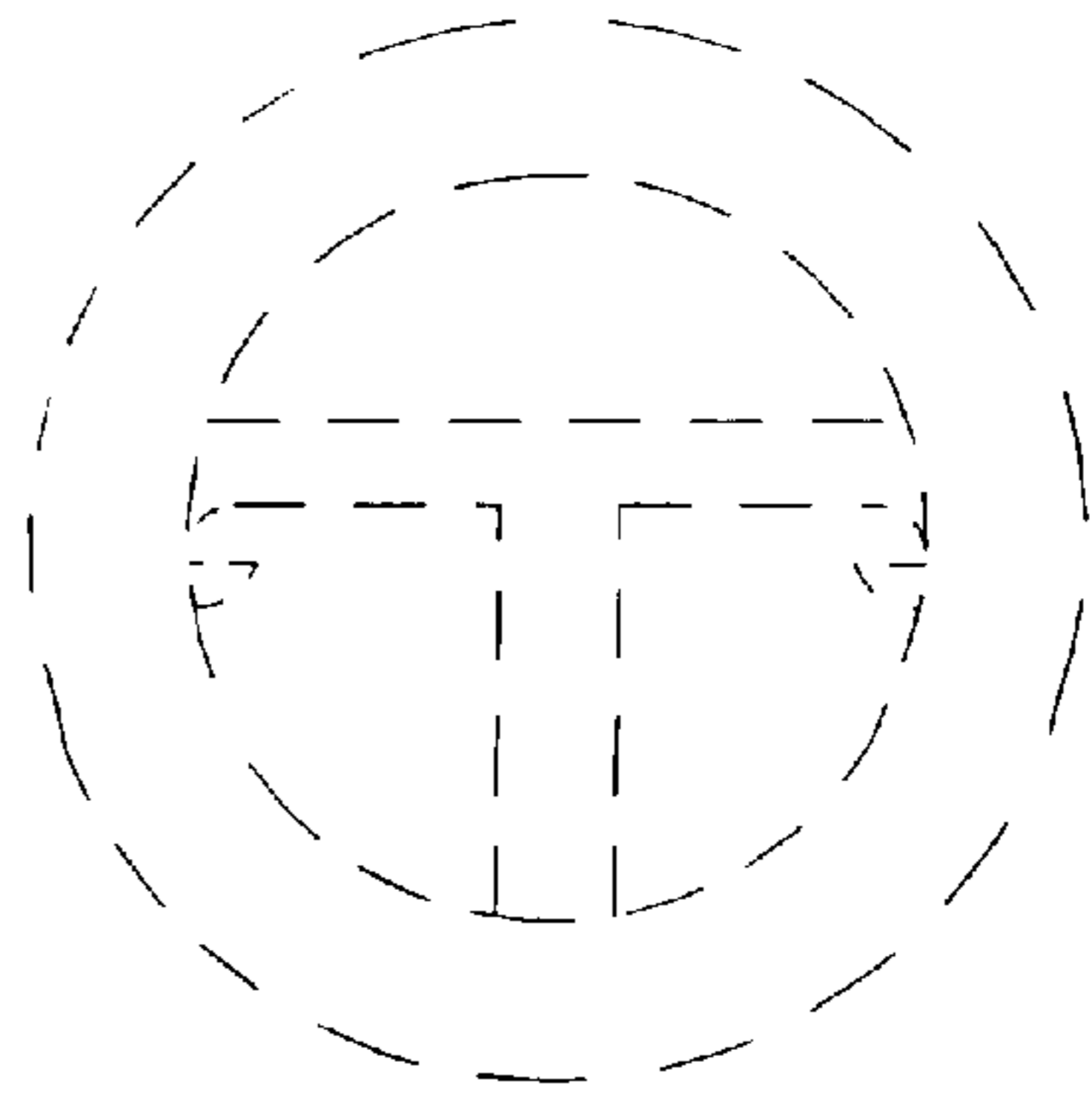


FIG. 4

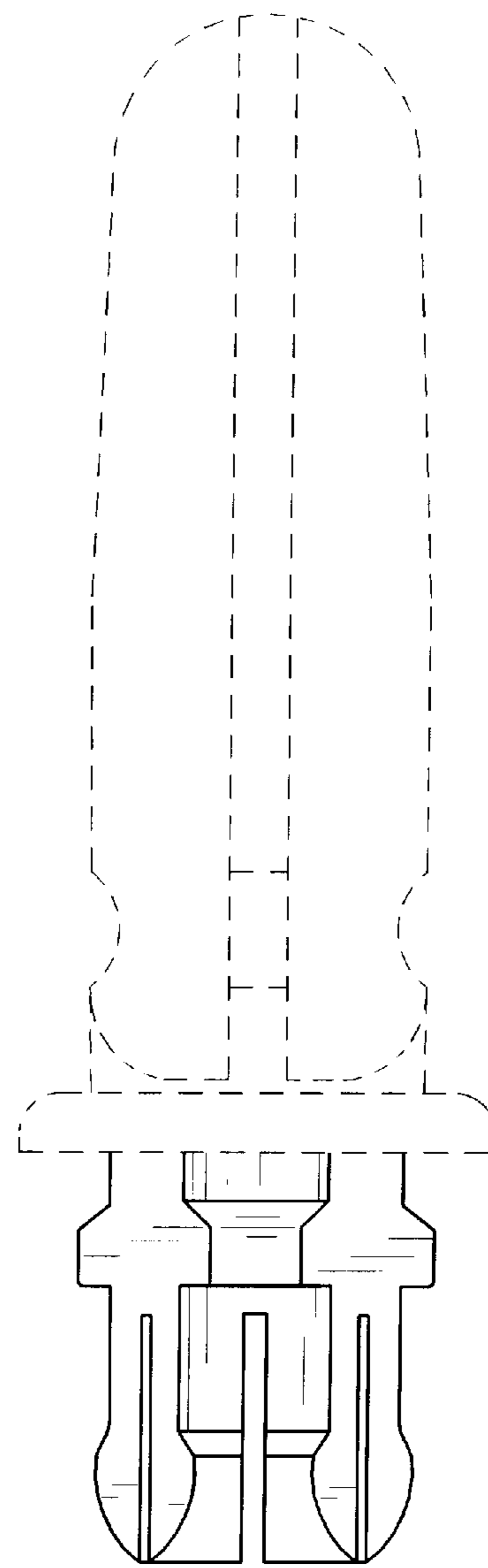


FIG. 5