



US00D441447S

(12) **United States Design Patent**  
**Hjertman et al.**

(10) **Patent No.:** **US D441,447 S**

(45) **Date of Patent:** **\*\* May 1, 2001**

(54) **EYE LENS IMPLANTER**

(75) Inventors: **Birger Hjertman**, Vällingby; **Jonas Fridholm**, Bromma; **Carl-Göran Crafoord**, Danderyd; **Maria Benktzon**, Sollentuna; **Hans Himbert**, Bromma, all of (SE)

(73) Assignee: **Pharmacia & Upjohn AB**, Stockholm (SE)

(\*\*) Term: **14 Years**

(21) Appl. No.: **29/124,055**

(22) Filed: **May 30, 2000**

(30) **Foreign Application Priority Data**

Nov. 30, 1999 (SE) ..... 99-2147

(51) **LOC (7) Cl.** ..... **24-02**

(52) **U.S. Cl.** ..... **D24/150; D24/133; D24/146**

(58) **Field of Search** ..... D24/133, 150, D24/146, 147, 140, 112; 606/107, 166, 167, 1, 4, 6, 5; 128/898

(56) **References Cited**

**U.S. PATENT DOCUMENTS**

4,681,102	*	7/1987	Bartell	.....	606/1
4,747,404	*	5/1988	Jampel et al.	.....	606/107
4,919,130	*	4/1990	Stoy et al.	.....	606/107
5,474,562	*	12/1995	Orchowski et al.	.....	606/107
5,921,989	*	7/1999	Deacon et al.	.....	606/107
5,944,725	*	8/1999	Cicenas et al.	.....	606/107

\* cited by examiner

*Primary Examiner*—Ian Simmons

(74) *Attorney, Agent, or Firm*—Young & Thompson

(57) **CLAIM**

The ornamental design for an eye lens implanter, as shown and described.

**DESCRIPTION**

FIG. 1 is a bottom and front perspective view of an eye lens implanter in a closed working position, showing our new design;

FIG. 2 is a top and rear perspective view thereof;

FIG. 3 is a front elevational view thereof;

FIG. 4 is a right side elevational view thereof;

FIG. 5 is a rear elevational view thereof;

FIG. 6 is a left side elevational view thereof;

FIG. 7 is a bottom plan view thereof;

FIG. 8 is a top plan view thereof;

FIG. 9 is a bottom and front perspective view thereof in an open lens inserting position;

FIG. 10 is a top and rear perspective view thereof;

FIG. 11 is a front elevational view thereof;

FIG. 12 is a right side elevational view thereof;

FIG. 13 is a rear elevational view thereof;

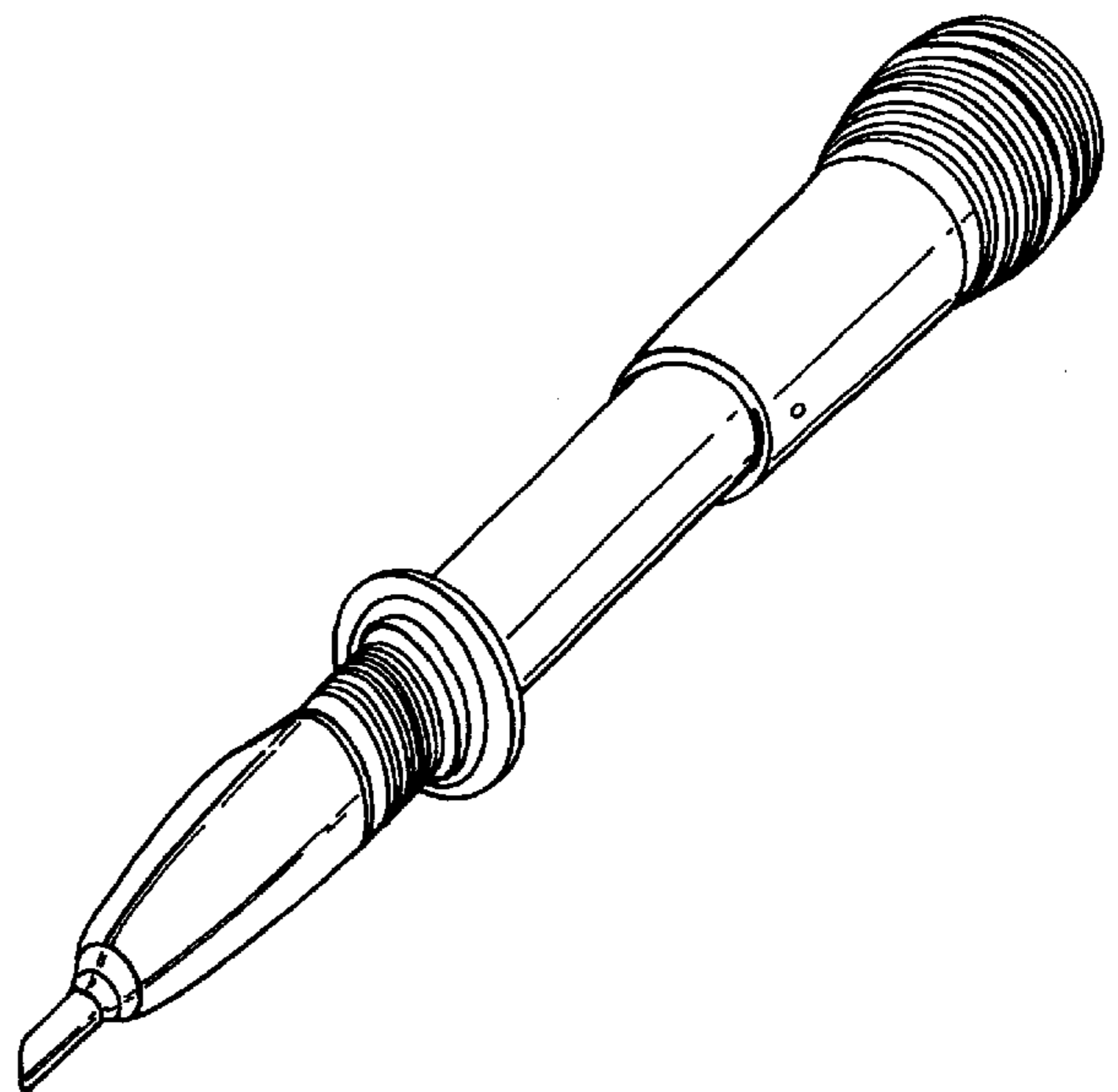
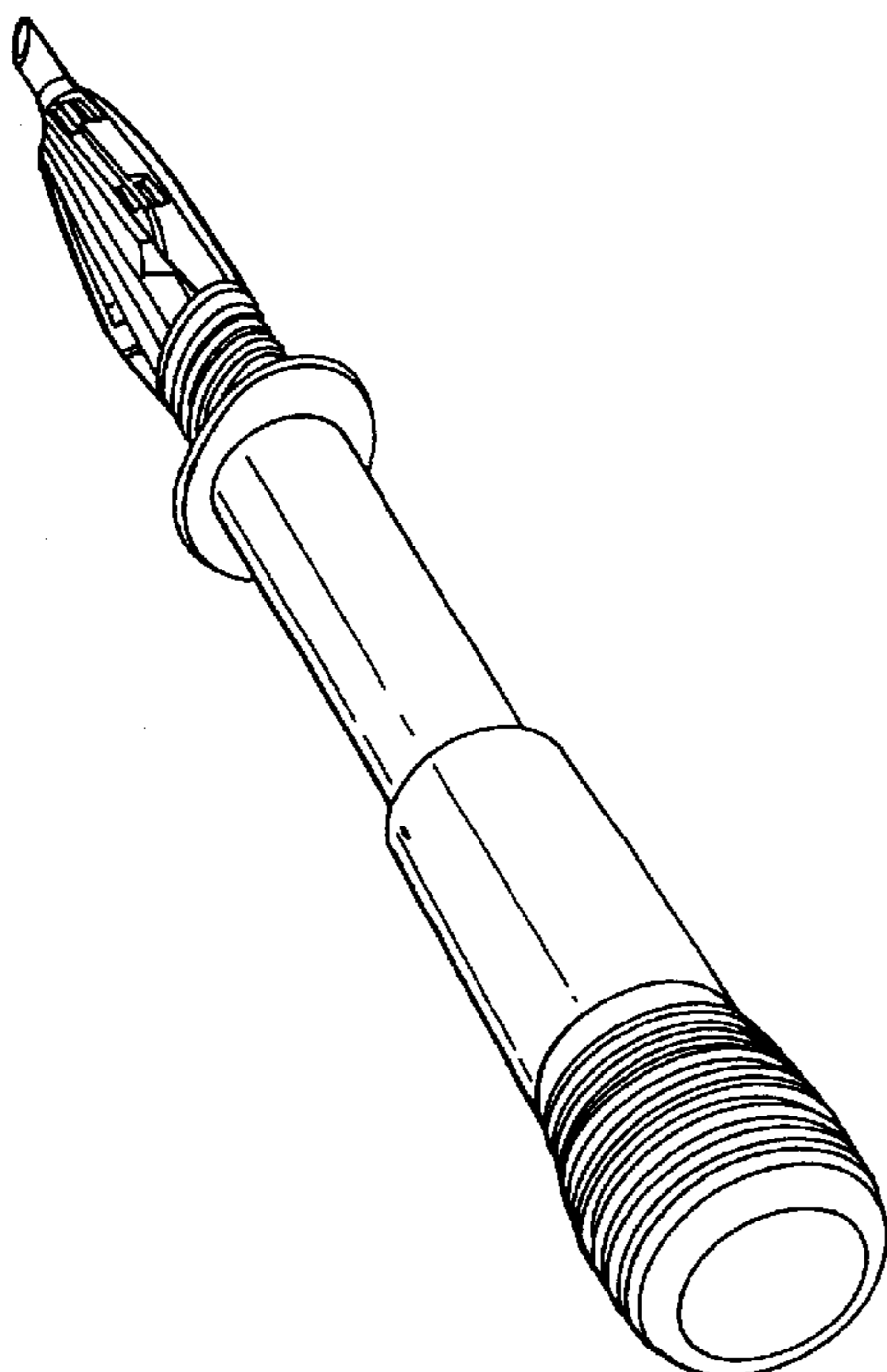
FIG. 14 is a left side elevational view thereof;

FIG. 15 is a bottom plan view thereof;

FIG. 16 is a top plan view thereof; and,

FIG. 17 is an enlarged view of the top section of the eye lens implanter, shown in FIG. 10.

**1 Claim, 5 Drawing Sheets**



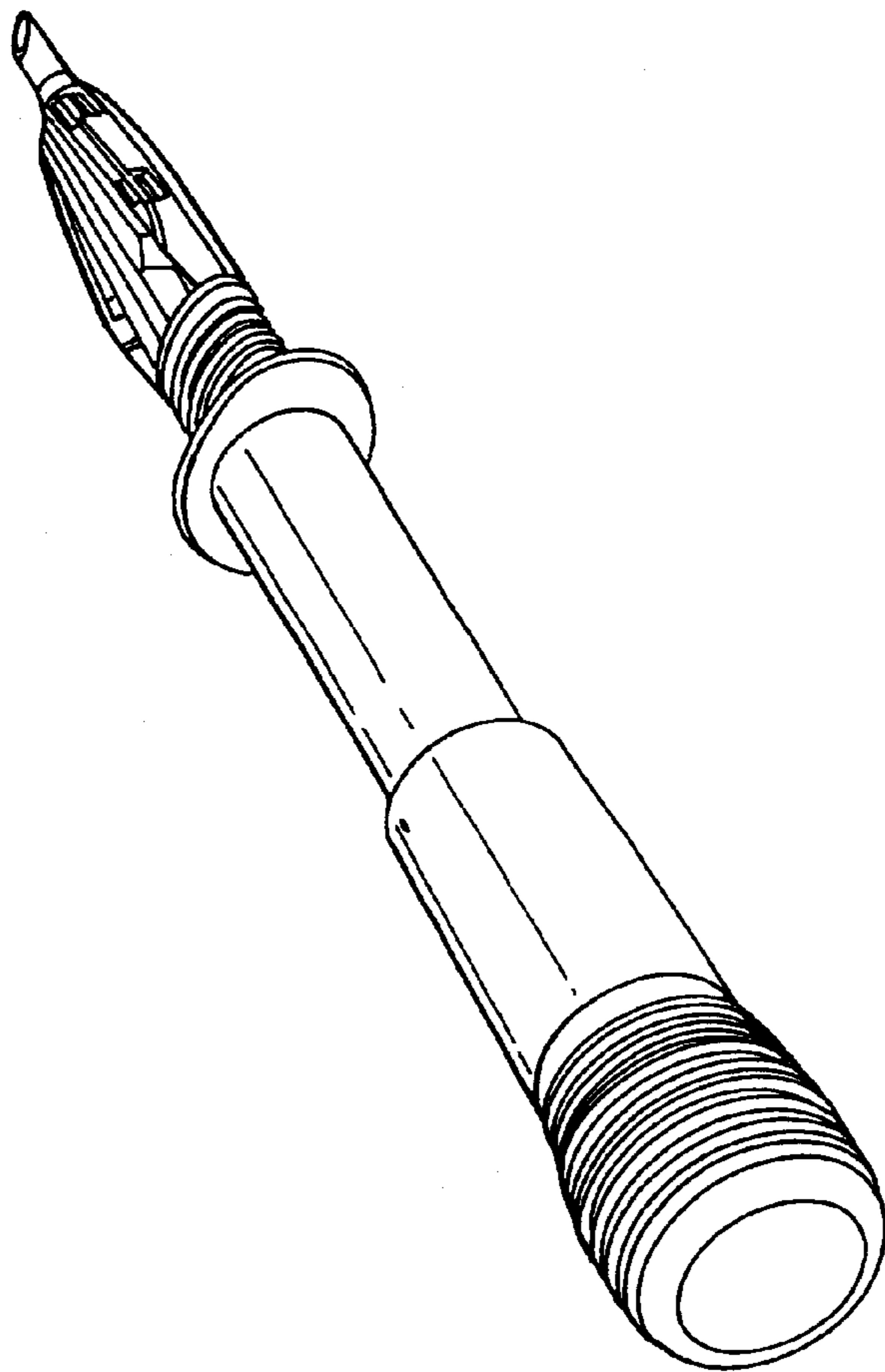


FIG. 1

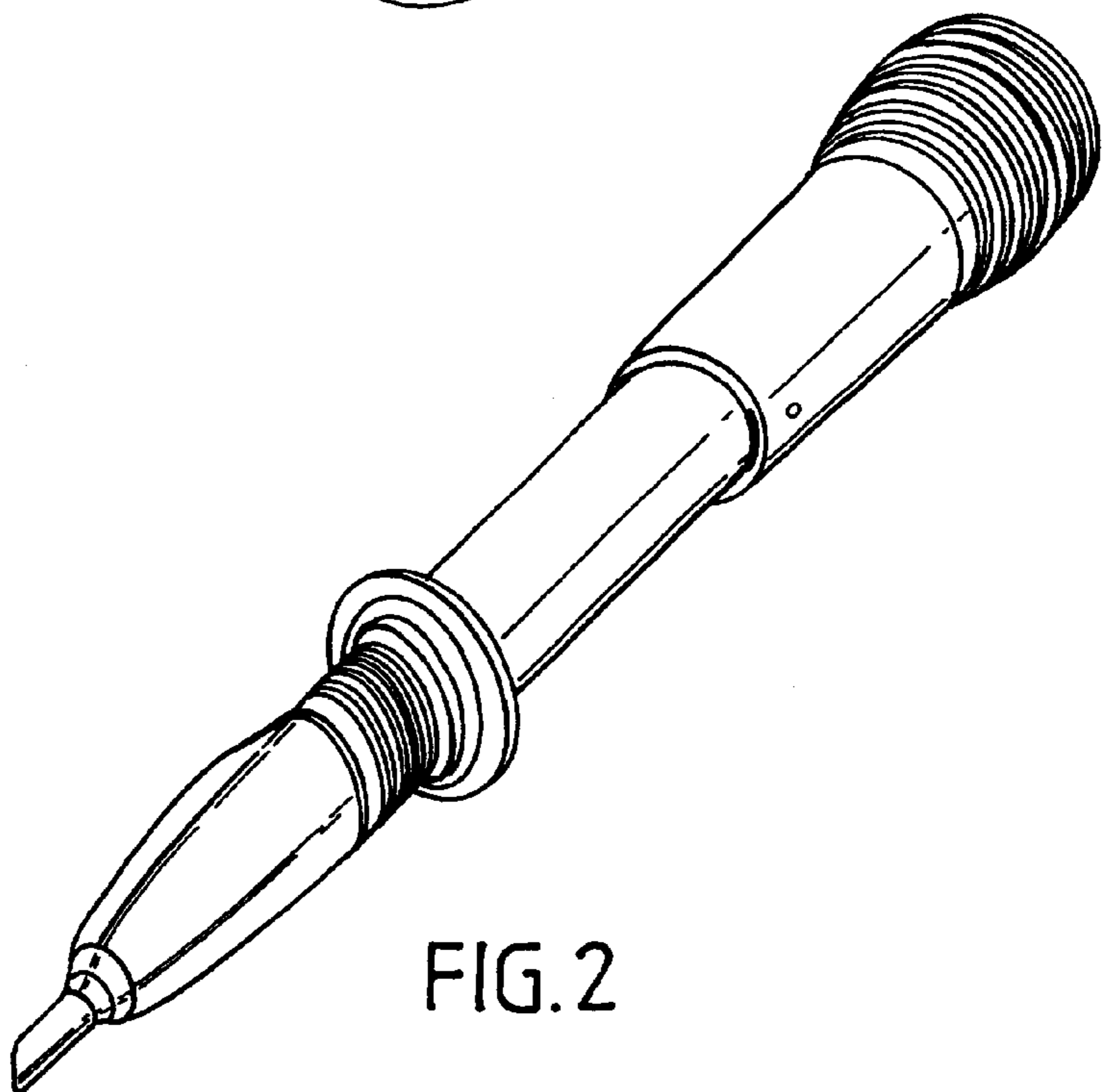


FIG. 2

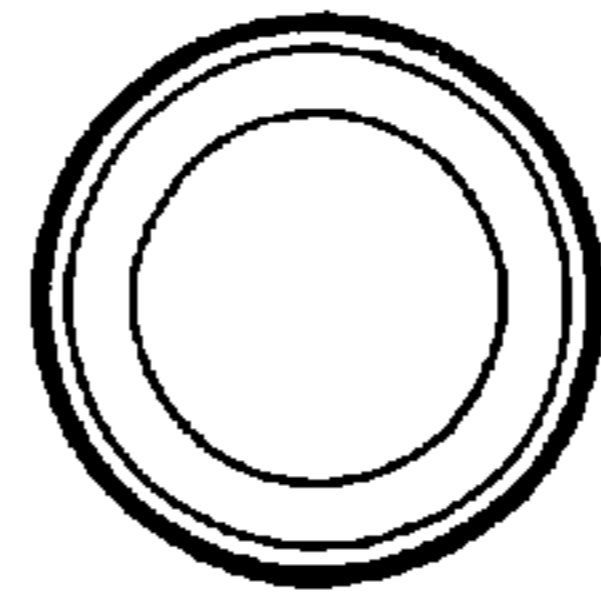


FIG. 7

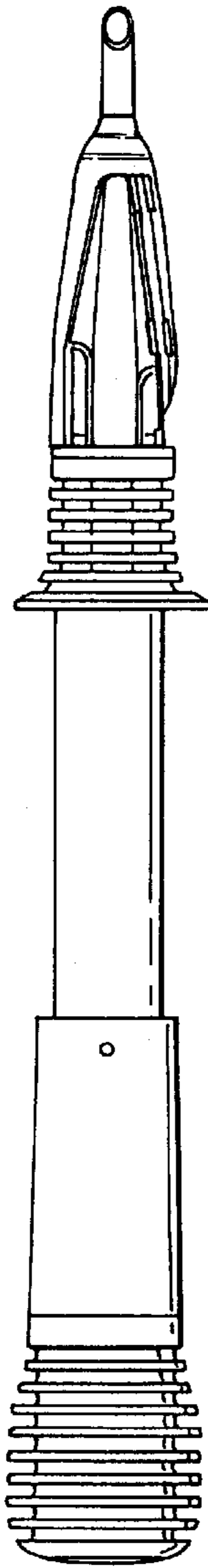


FIG. 3

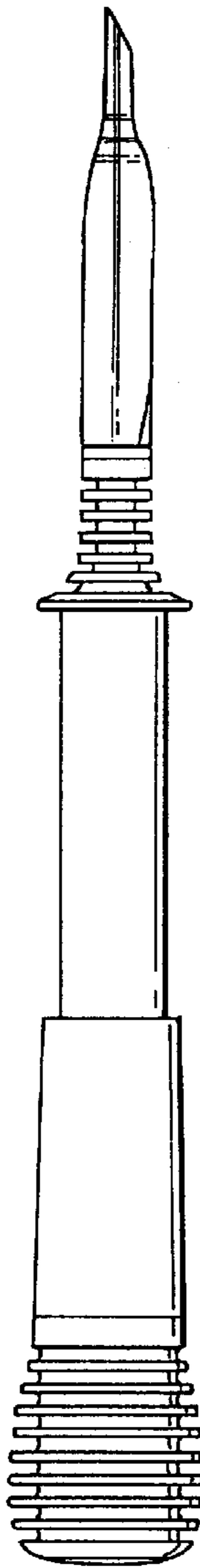


FIG. 4

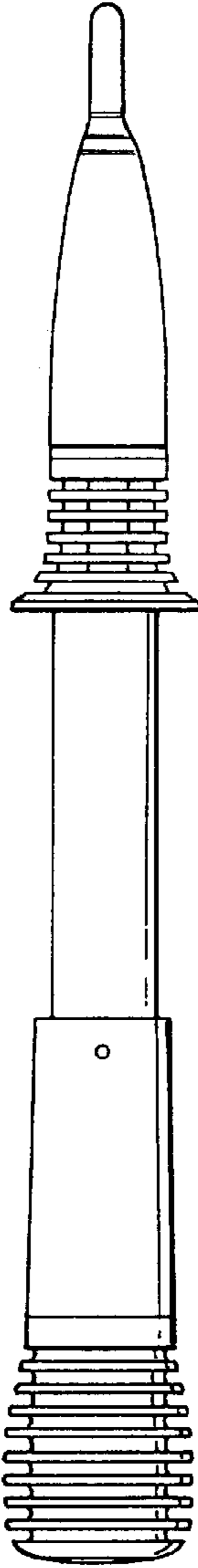


FIG. 5

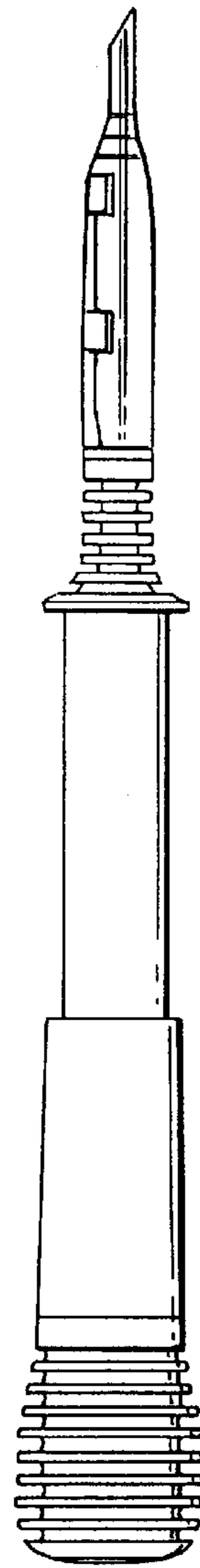


FIG. 6



FIG. 8

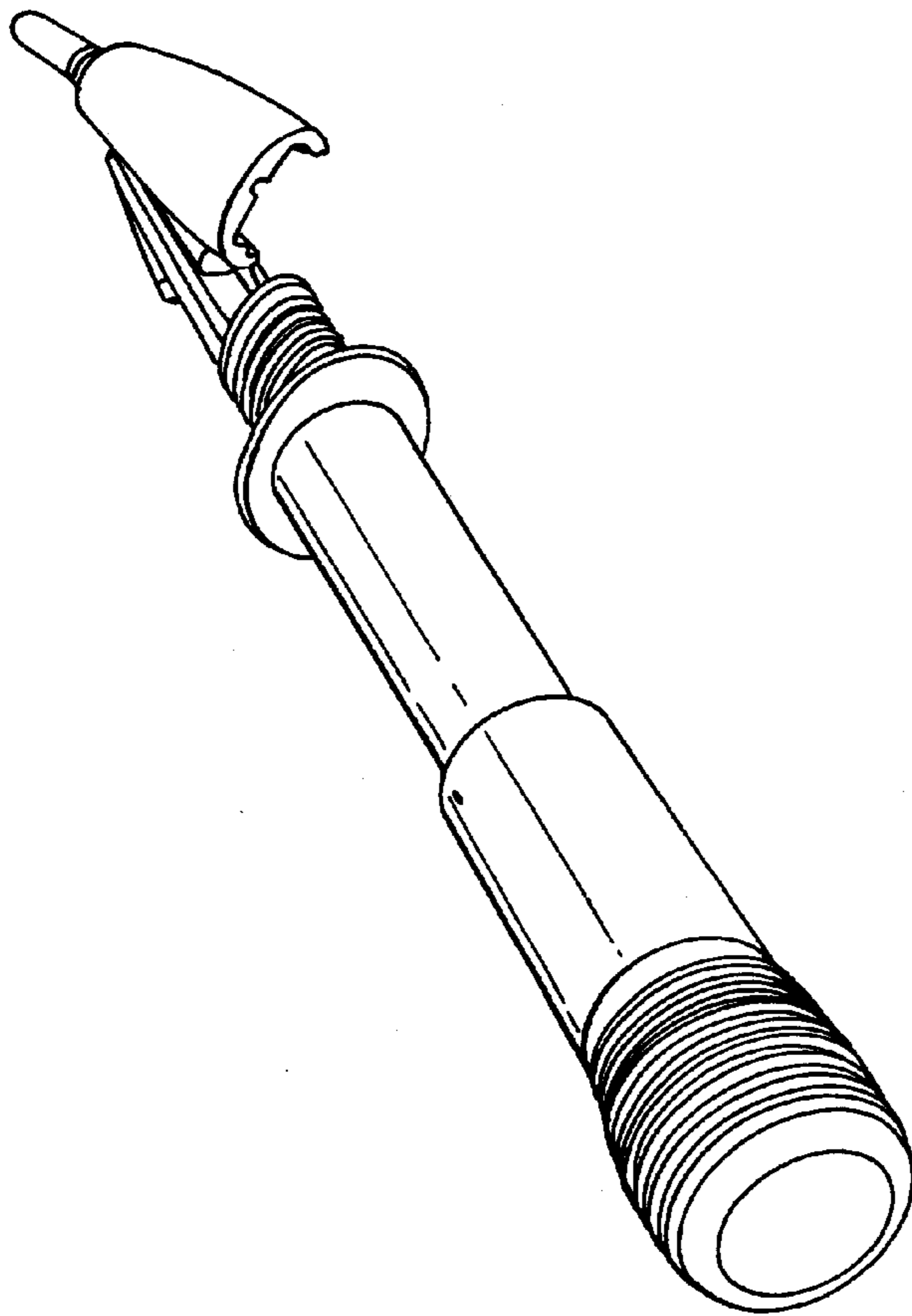


FIG. 9

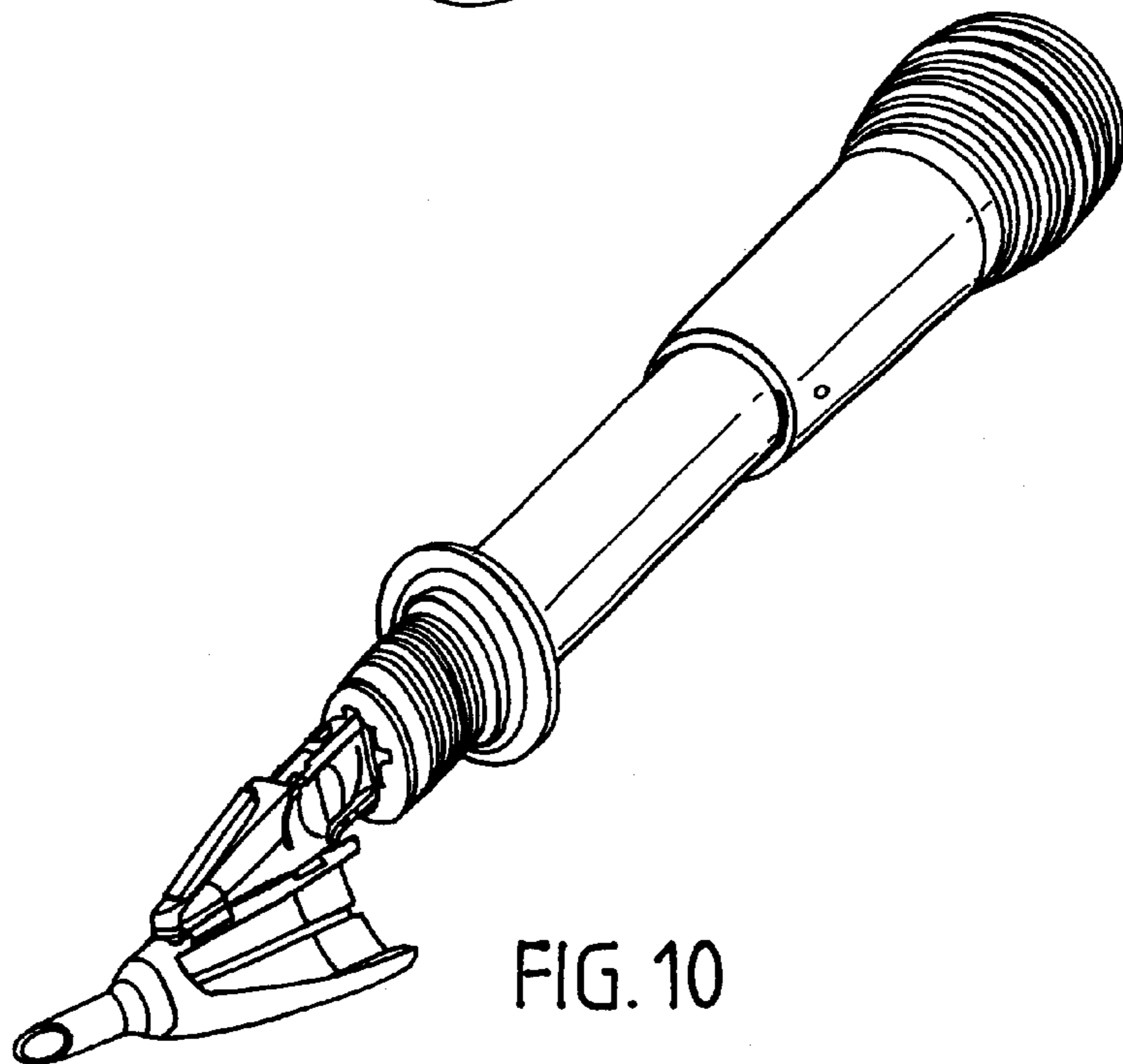
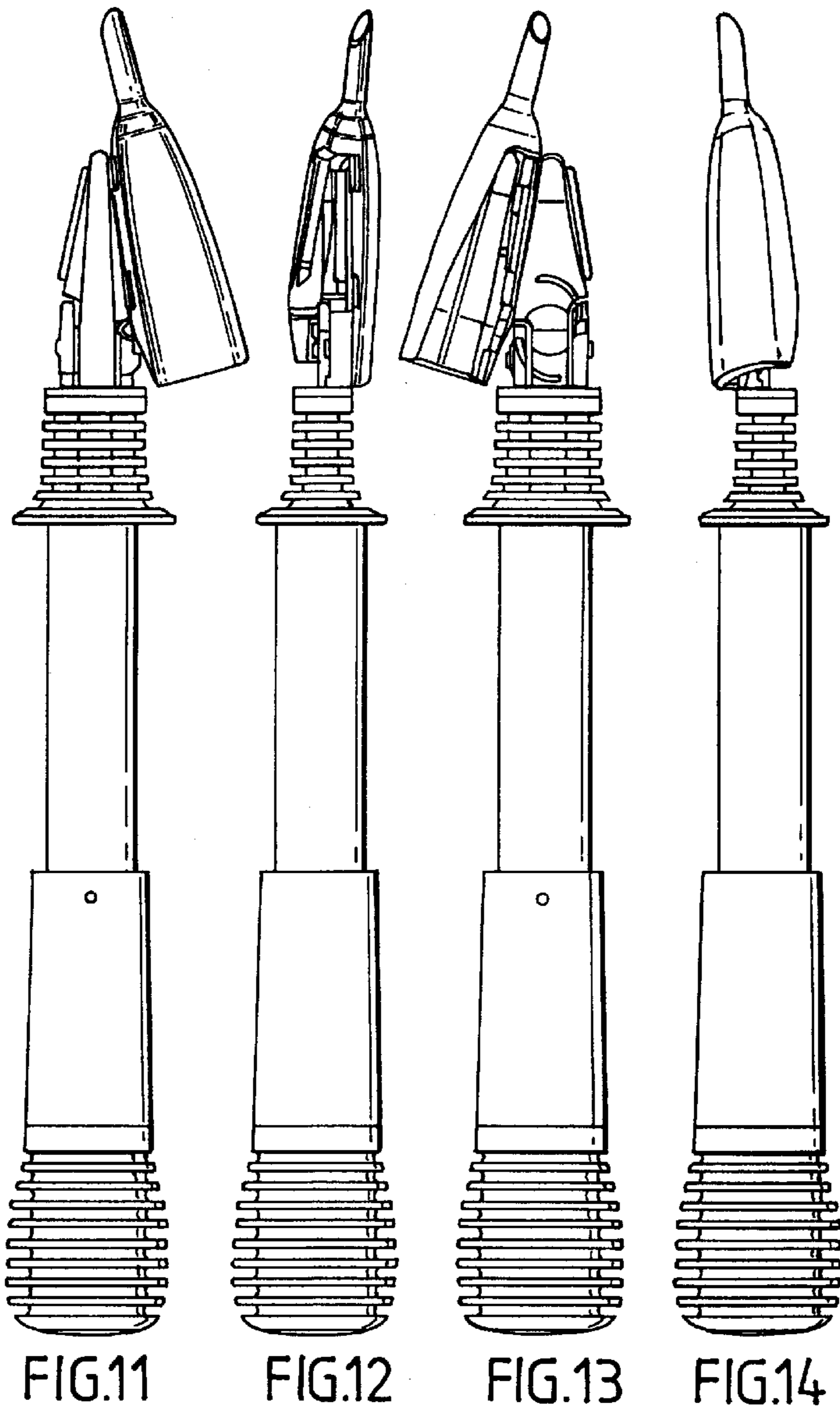
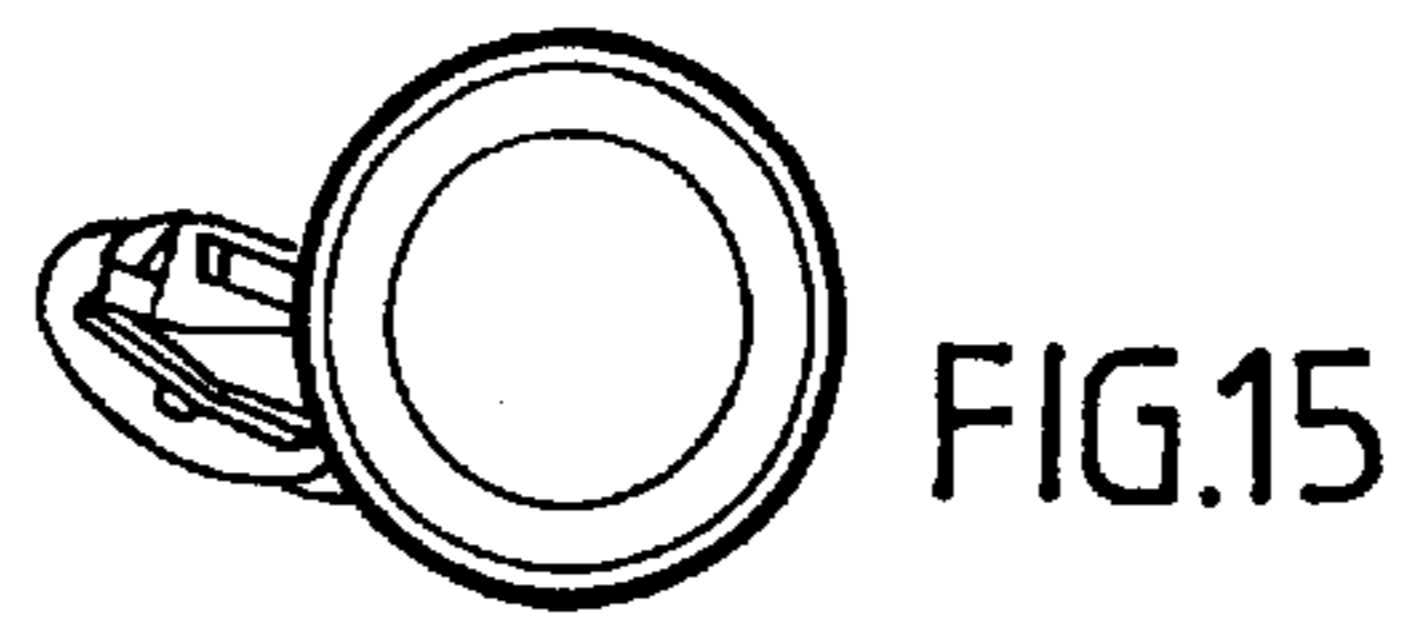


FIG. 10



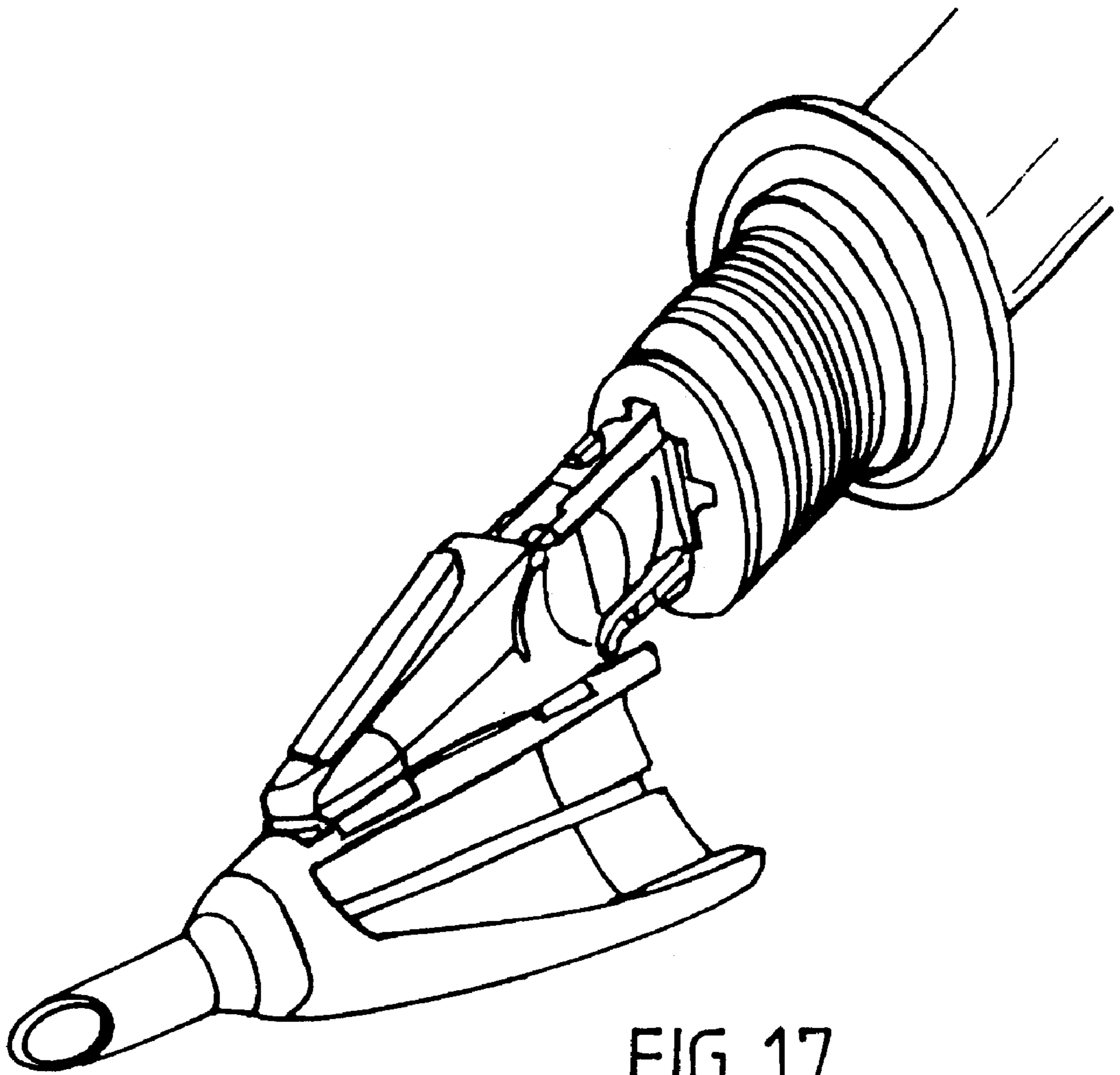


FIG. 17