



US00D441442S

(12) **United States Design Patent**  
**Williams**

(10) **Patent No.:** **US D441,442 S**

(45) **Date of Patent:** **\*\* May 1, 2001**

(54) **CEILING FAN**

D. 408,515 \* 4/1999 Williams ..... D23/377

(75) Inventor: **Tammy Williams**, Phoenix, AZ (US)

\* cited by examiner

(73) Assignee: **Litex Industries, Inc.**, Grand Prairie, TX (US)

*Primary Examiner*—Lisa Lichtenstein  
(74) *Attorney, Agent, or Firm*—Sidley & Austin

(\*\*) Term: **14 Years**

(57) **CLAIM**

(21) Appl. No.: **29/110,380**

The ornamental design for a ceiling fan, as shown and described.

(22) Filed: **Sep. 3, 1999**

**DESCRIPTION**

(51) **LOC (7) Cl.** ..... **23-04**

(52) **U.S. Cl.** ..... **D23/377; D23/411; D26/59**

(58) **Field of Search** ..... D23/377, 379, D23/385, 411, 413; 416/5; D26/59, 51, 81-86, 72, 88; 362/96; 392/364

FIG. 1 is a perspective view of a ceiling fan embodying my design;

FIG. 2 is a rear view thereof;

FIG. 3 is a front view thereof;

FIG. 4 is a bottom view thereof; and,

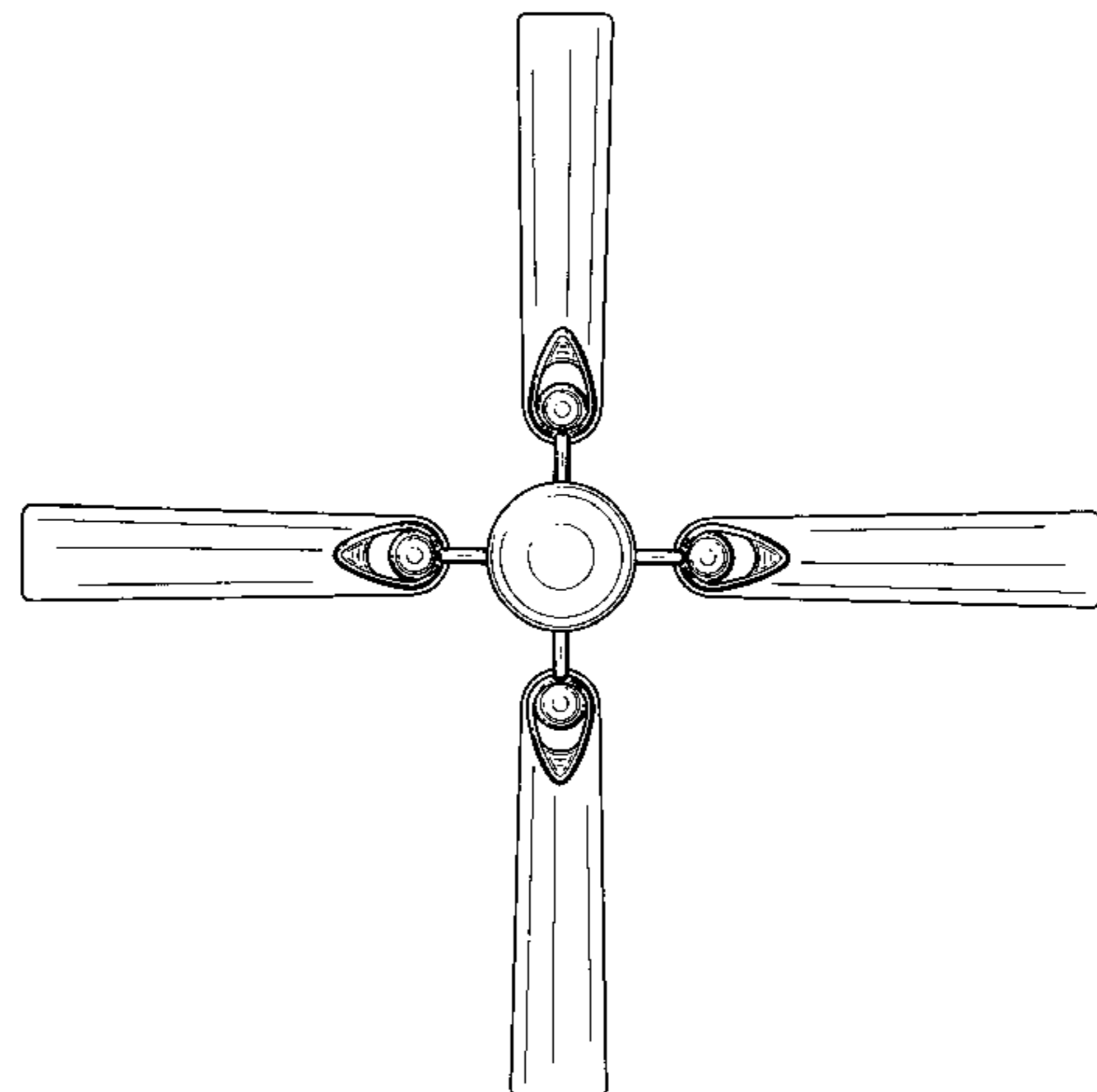
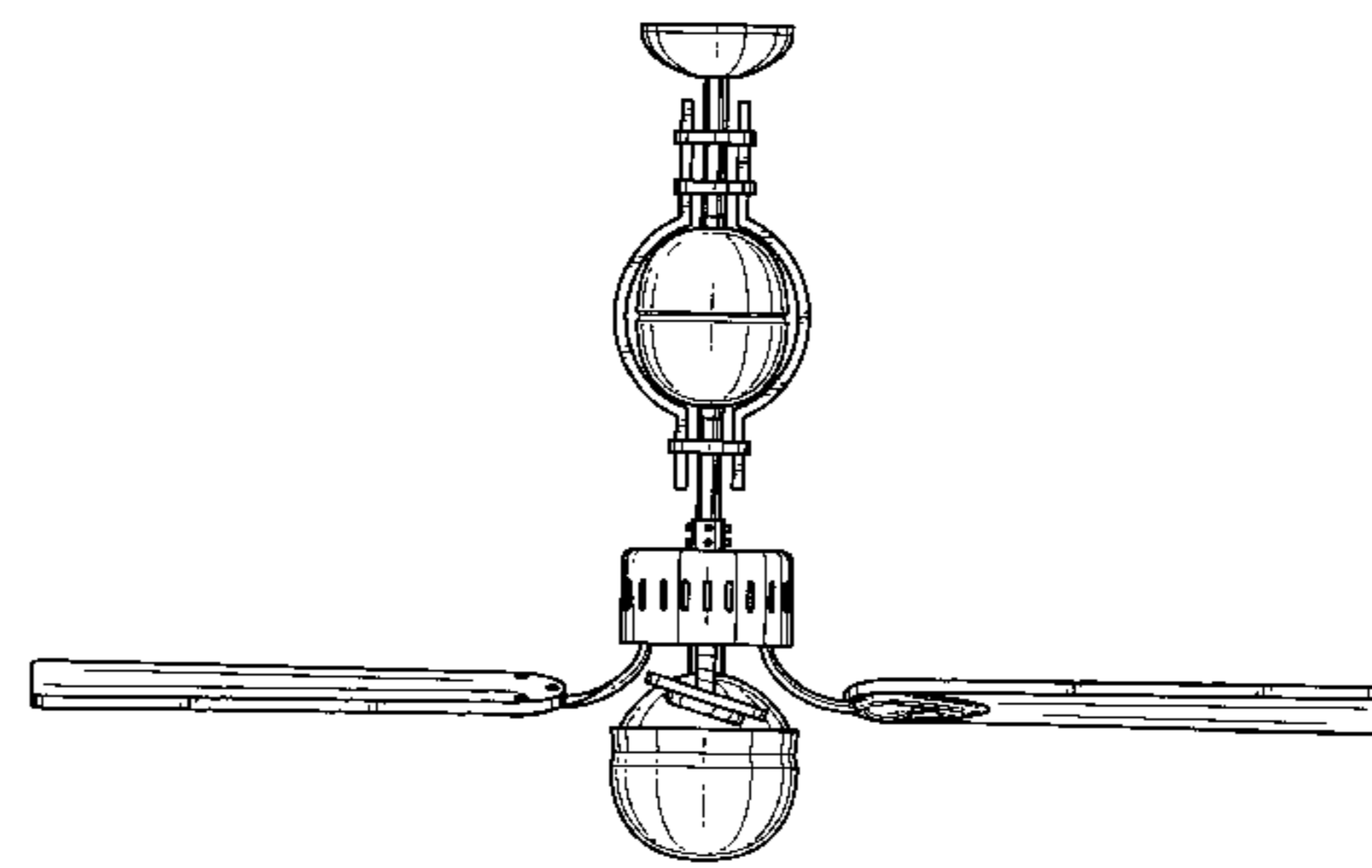
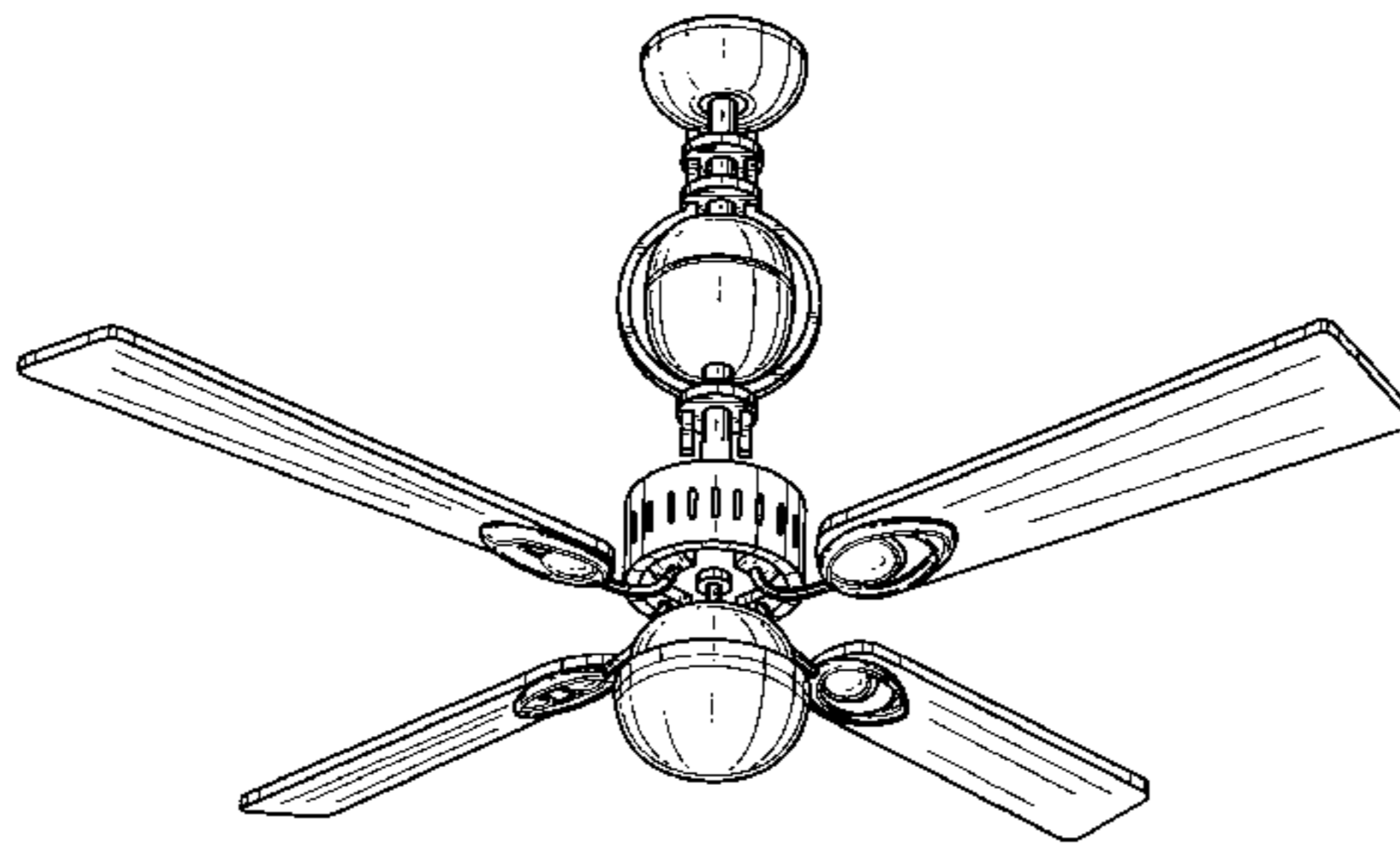
FIG. 5 is a top view thereof.

(56) **References Cited**

**U.S. PATENT DOCUMENTS**

D. 377,975 \* 2/1997 Young ..... D23/377

**1 Claim, 5 Drawing Sheets**



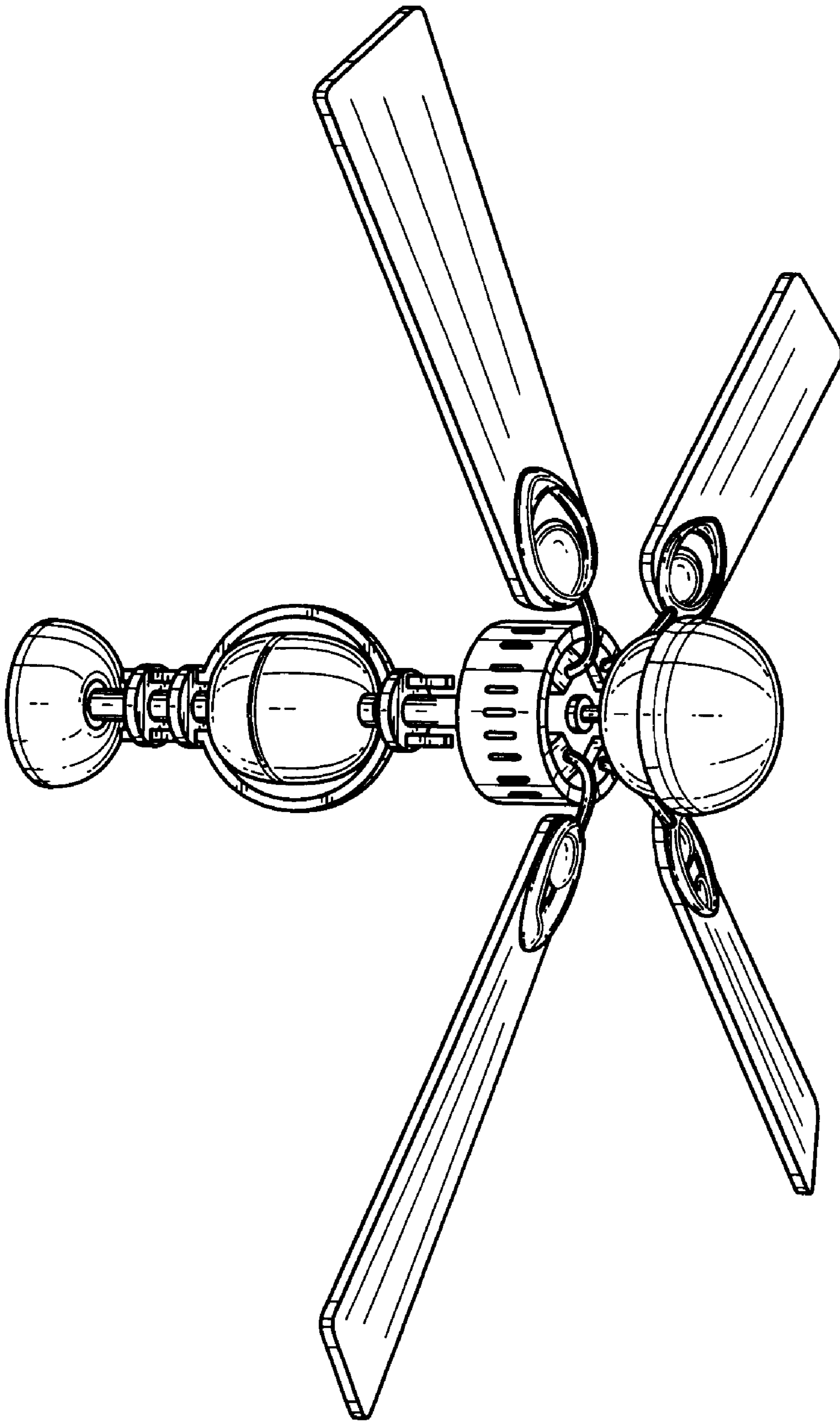


FIG. 1

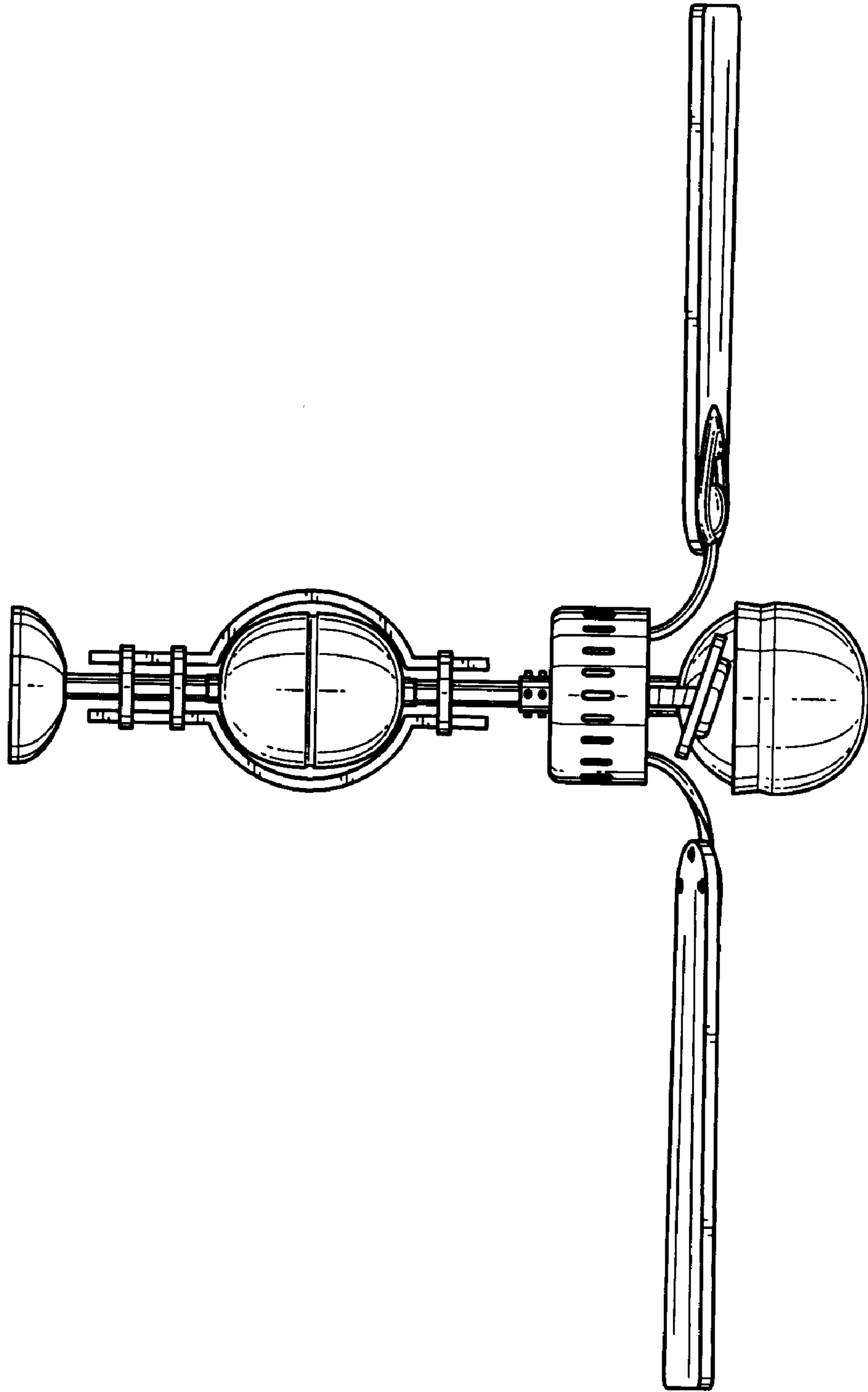


FIG. 2

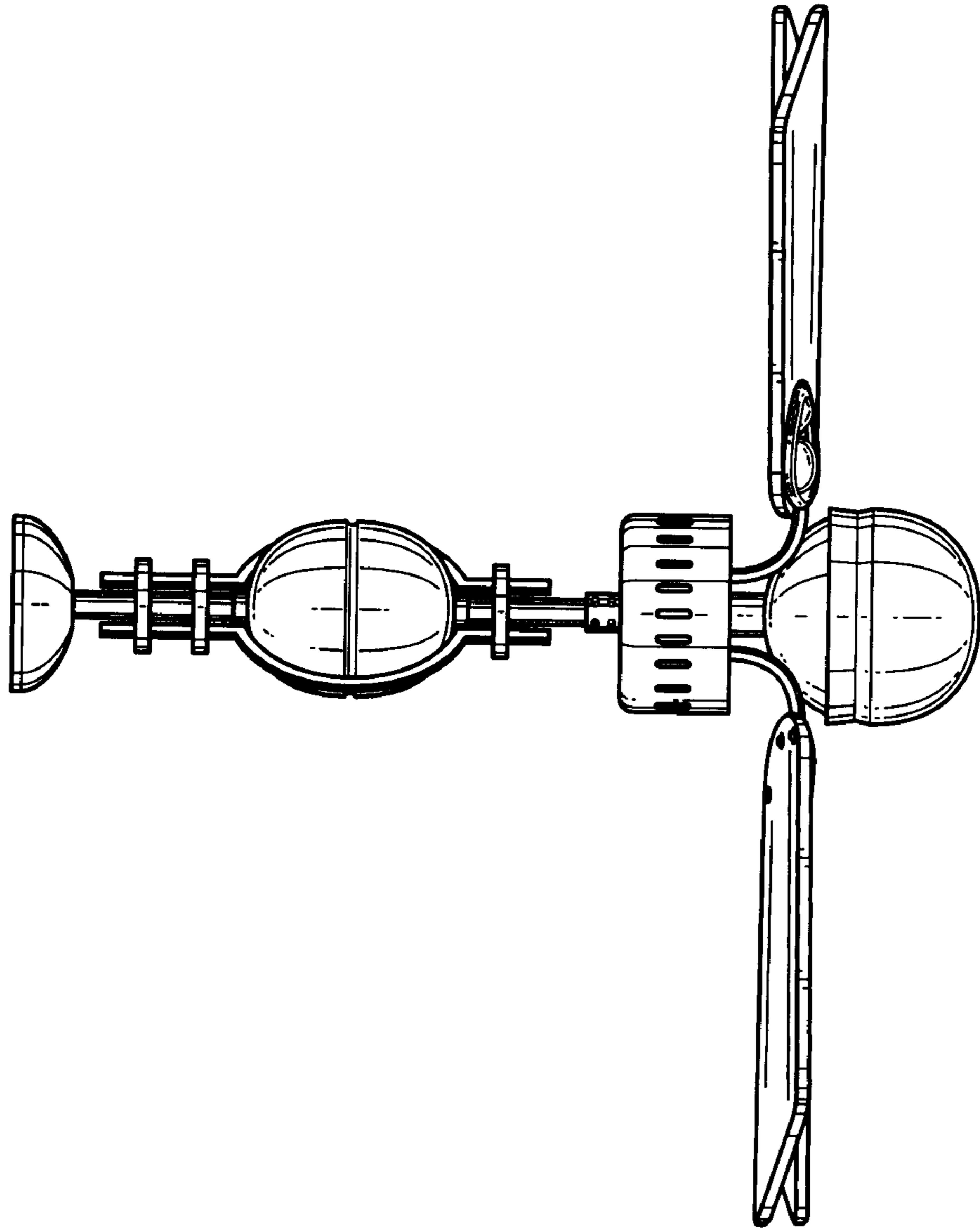


FIG. 3

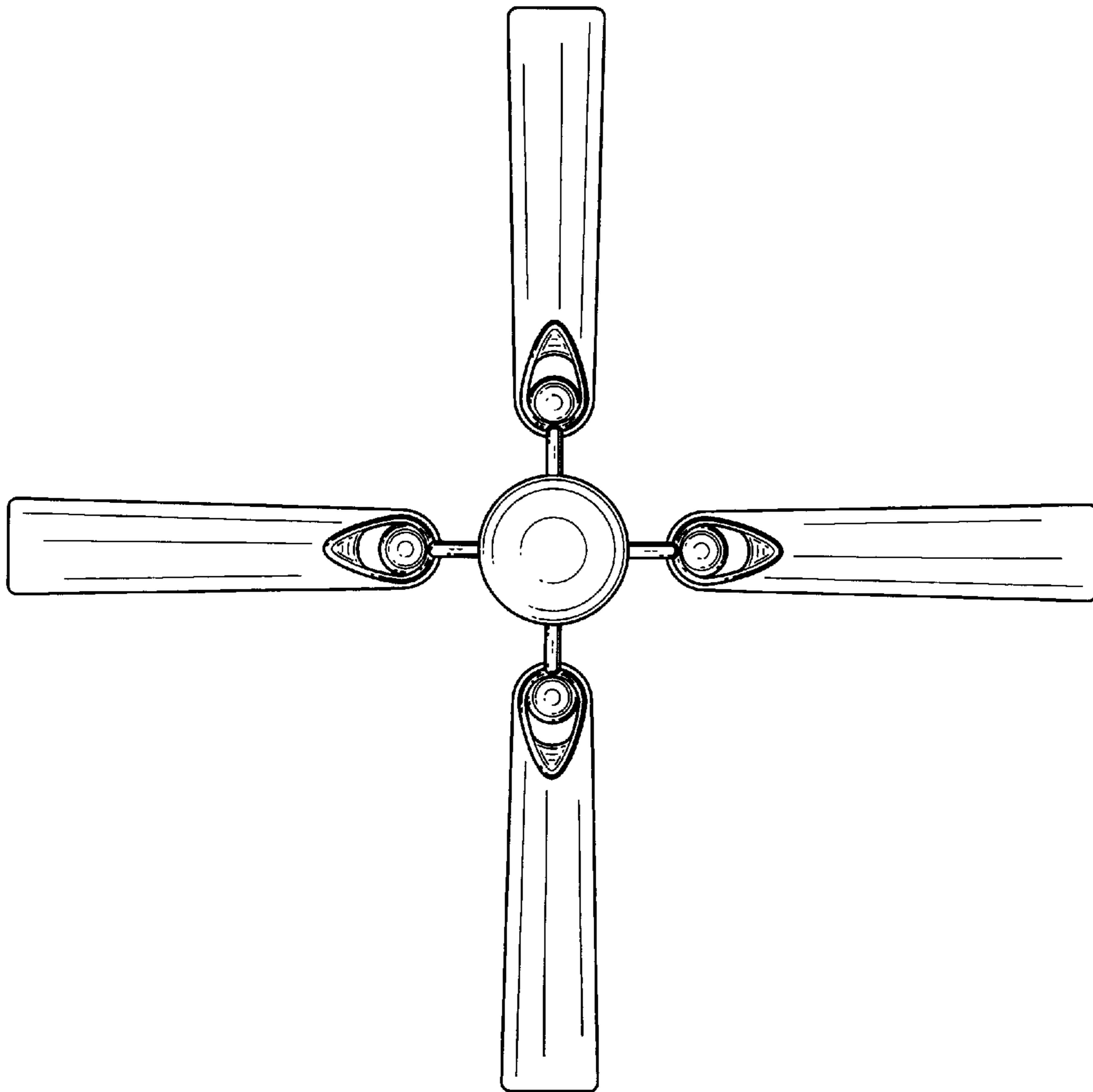


FIG. 4

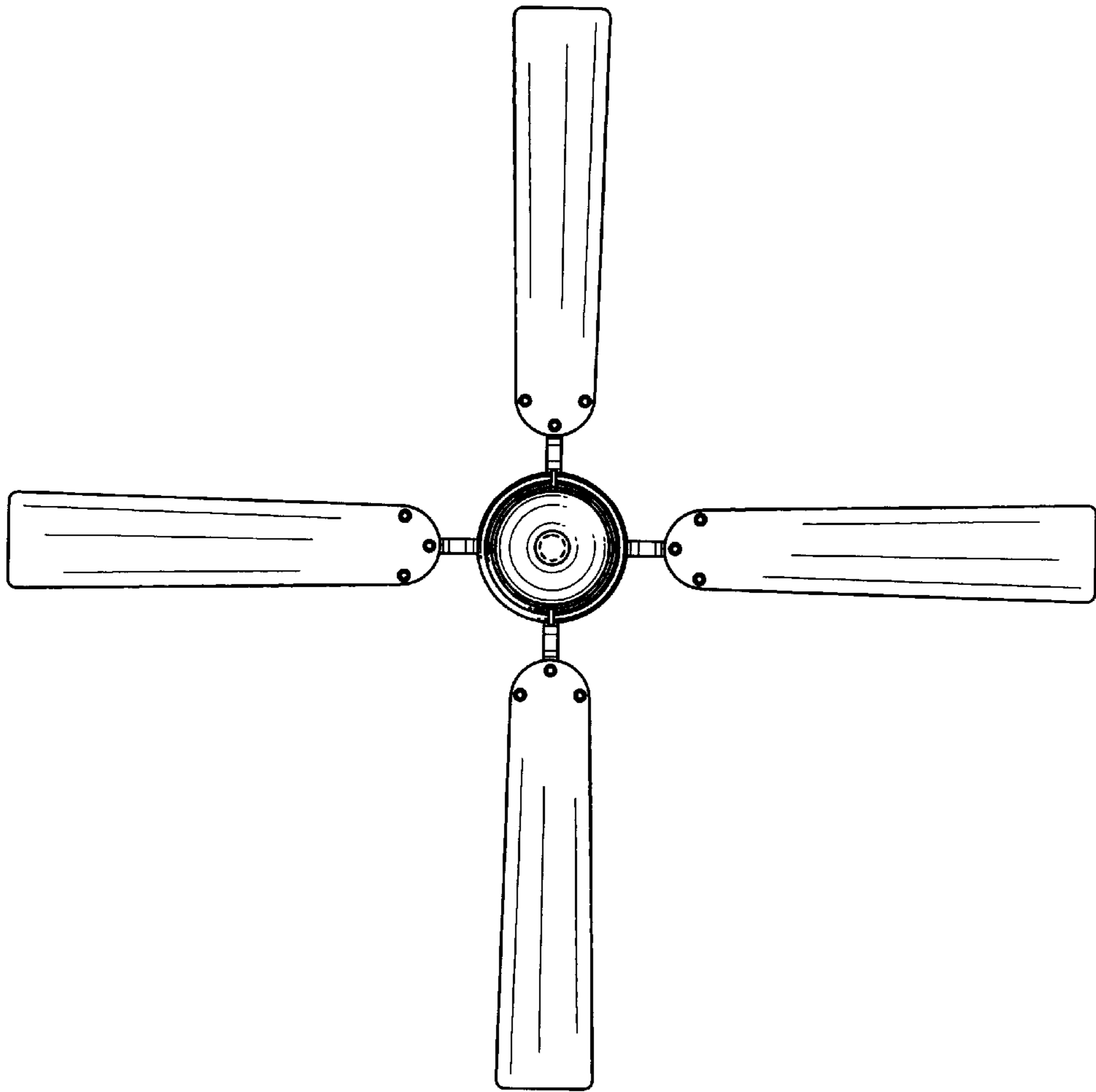


FIG. 5