



US00D441439S

(12) **United States Design Patent**
Nagel et al.

(10) **Patent No.:** **US D441,439 S**

(45) **Date of Patent:** **** May 1, 2001**

(54) **TOILET SEAT LIFTER**

(76) Inventors: **James P Nagel; Mona R Tonavanik,**
both of 2924 Farm to Market Rd.,
Kalispell, MT (US) 59901

(**) Term: **14 Years**

(21) Appl. No.: **29/103,921**

(22) Filed: **Apr. 26, 1999**

(51) **LOC (7) Cl.** **23-02**

(52) **U.S. Cl.** **D23/311**

(58) **Field of Search** D23/295-311;
4/233-239, 217, 242, 246.1, 253, 661,
251; D19/35; D8/300, 307, 305, 309, 317

(56) **References Cited**

U.S. PATENT DOCUMENTS

D. 325,510	*	4/1992	Slye	D8/307
D. 341,415	*	11/1993	Miller	D23/311
D. 341,765	*	11/1993	Thomas	D8/307
D. 348,601	*	7/1994	Borja et al.	D8/307
D. 372,965	*	8/1996	Villeneuve	D23/311
D. 373,819	*	9/1996	Suynov	D23/311
D. 386,253	*	11/1997	Black	D23/311
D. 395,078	*	6/1998	Johnson	D23/311

D. 395,489	*	6/1998	Abusaad	D23/311
D. 405,169	*	2/1999	Swank, Sr.	D23/311
2,236,576	*	4/1941	Loebner	4/246.1
3,935,601	*	2/1976	Hermann	4/251
4,574,401	*	3/1986	Nakajima	4/246.1
5,459,889	*	10/1995	Jamison	4/661
5,729,839	*	3/1998	Bigelow	4/246.1

* cited by examiner

Primary Examiner—Eric Watterson

(57) **CLAIM**

The ornamental design for a toilet seat lifter, as shown and described.

DESCRIPTION

FIG. 1 is a perspective view of a toilet seat lifter, showing my new design;
FIG. 2 is A side view thereof, with the seat in A closed position;
FIG. 3 is A perspective view with the seat in A closed position; and,
FIG. 4 is an enlarged opposite side view of that shown in FIG. 2.

The broken line showing is for illustrative purposes only and forms no part of the claimed design.

1 Claim, 4 Drawing Sheets

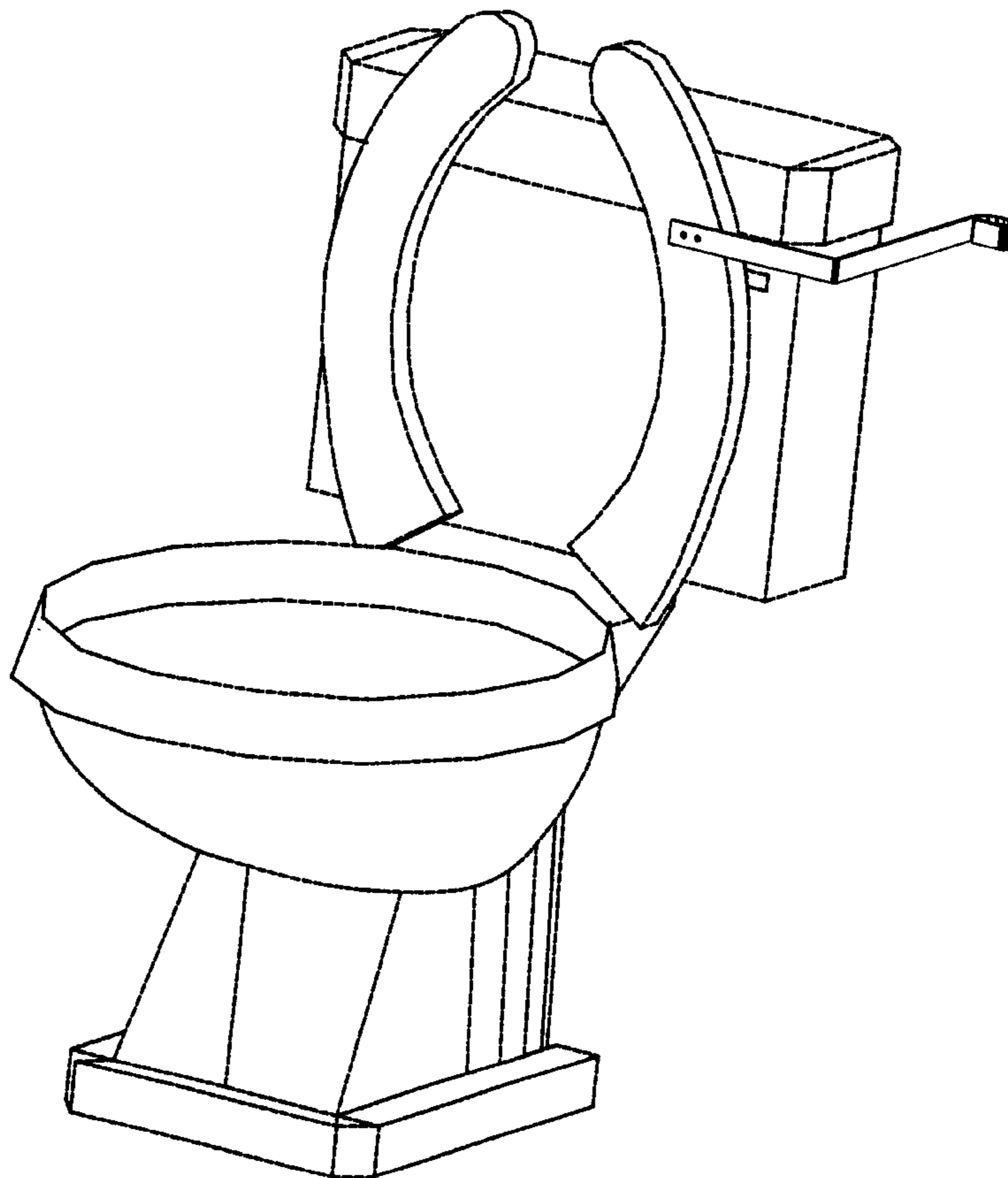


FIGURE 1

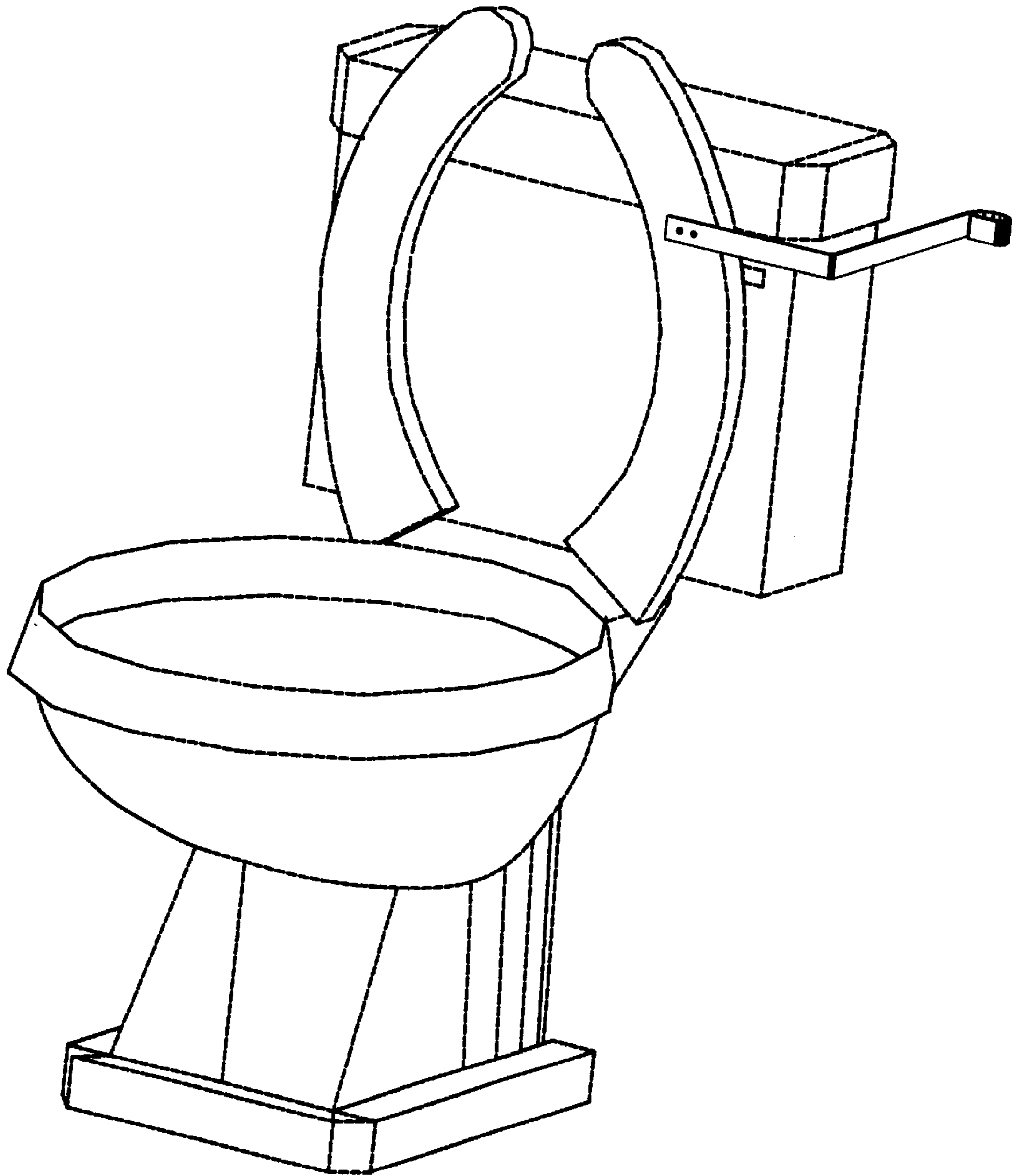


FIGURE 2

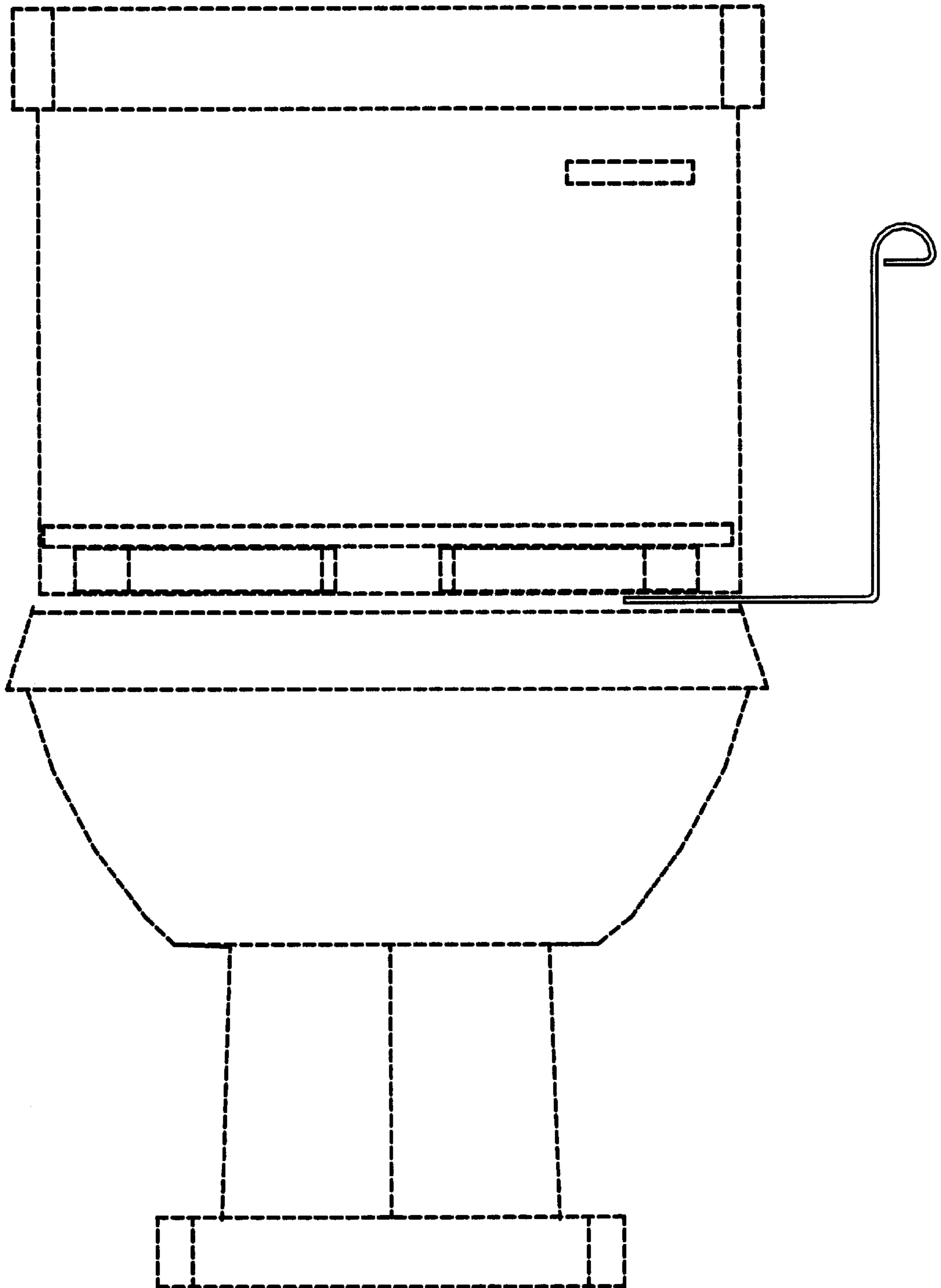


FIGURE 3

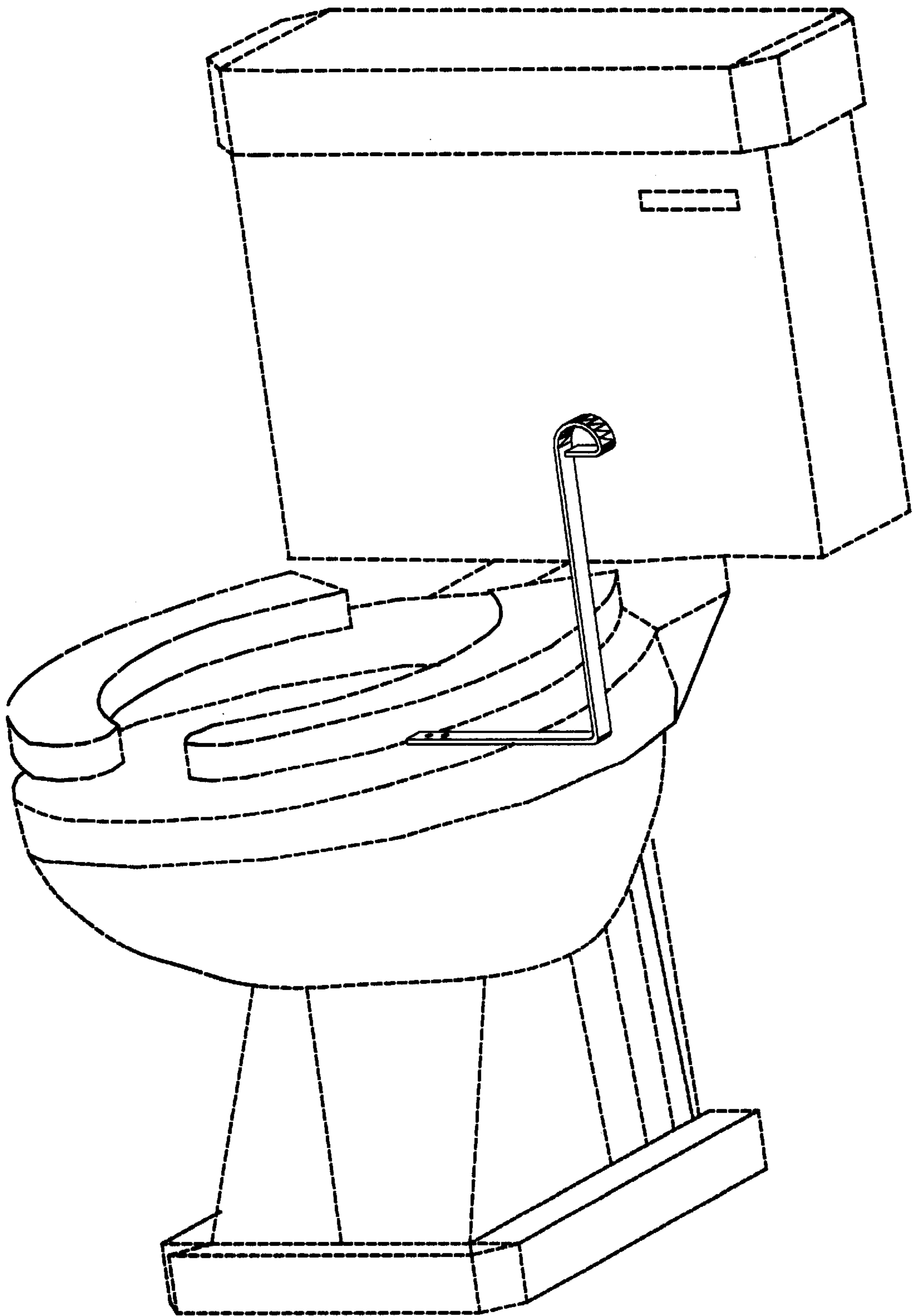


FIGURE 4

