



US00D441437S

(12) **United States Design Patent**
McKeone

(10) **Patent No.:** **US D441,437 S**

(45) **Date of Patent:** **** May 1, 2001**

(54) **WATER CLOSET**

(75) Inventor: **William C. McKeone**, Sheboygan, WI (US)

(73) Assignee: **Kohler Co.**, Kohler, WI (US)

(**) Term: **14 Years**

(21) Appl. No.: **29/113,272**

(22) Filed: **Nov. 2, 1999**

(51) **LOC (7) Cl.** **23-02**

(52) **U.S. Cl.** **D23/301**

(58) **Field of Search** D23/273, 295-301, D23/303, 309-313; 4/253, 300, 321, 328-329, 245.1, 245.6, 353, 419, 420, 443-444, 446, 234, 236, 242.1, 901, 902, 246.1, 246.3, 246.5, DIG. 8

(56) **References Cited**

U.S. PATENT DOCUMENTS

- D. 47,611 * 7/1915 Podmore D23/313 X
- D. 87,283 * 12/1931 Weaver D23/313 X
- D. 323,381 1/1992 McKeone et al. D23/313
- D. 323,551 * 1/1992 Fait D23/301
- D. 323,880 2/1992 McKeone et al. D23/295
- D. 353,450 * 12/1994 Anderson et al. D23/301
- D. 359,549 * 6/1995 Chen D23/313
- D. 370,720 * 6/1996 Kaiser D23/301
- D. 387,858 * 12/1997 McKeone D23/301
- D. 390,930 * 2/1998 Slothower D23/295
- D. 415,563 * 10/1999 McKeone D23/301
- 1,030,059 * 6/1912 Drugan et al. 4/353

OTHER PUBLICATIONS

- 1997 Kohler catalog ad, p. 15.9, showing "Memoirs" toilet.
- 1997 Kohler catalog ad, p. 15.5, showing "Revival" toilets.
- 1998 BC Sanitan catalog ad showing "Savoy" toilet.

1997 Kohler catalog ad, p. 15.8, showing "Portrait" toilet.
1999 Kallista catalog ad, p. 30, showing "Kalligraphos" toilet.

* cited by examiner

Primary Examiner—Louis S. Zarfaz

Assistant Examiner—Robert A Delehanty

(74) *Attorney, Agent, or Firm*—Quarles & Brady LLP

(57) **CLAIM**

The ornamental design for a water closet, as shown and described.

DESCRIPTION

In a preferred embodiment, the nature of this product is as a plumbing fixture primarily useful for receiving solid and liquid waste from humans.

FIG. 1 is a left, top, front perspective view of a water closet embodying my new design;

FIG. 2 is a top plan view thereof;

FIG. 3 is a left side elevational view thereof, the right side elevational view being a mirror image of the left side shown;

FIG. 4 is a front elevational view thereof;

FIG. 5 is a rear elevational view thereof;

FIG. 6 is a bottom plan view thereof;

FIG. 7 is a left, top, front perspective view of a second embodiment;

FIG. 8 is a top plan view thereof;

FIG. 9 is a left side elevational view thereof, the right side elevational view being a mirror image of the left side shown;

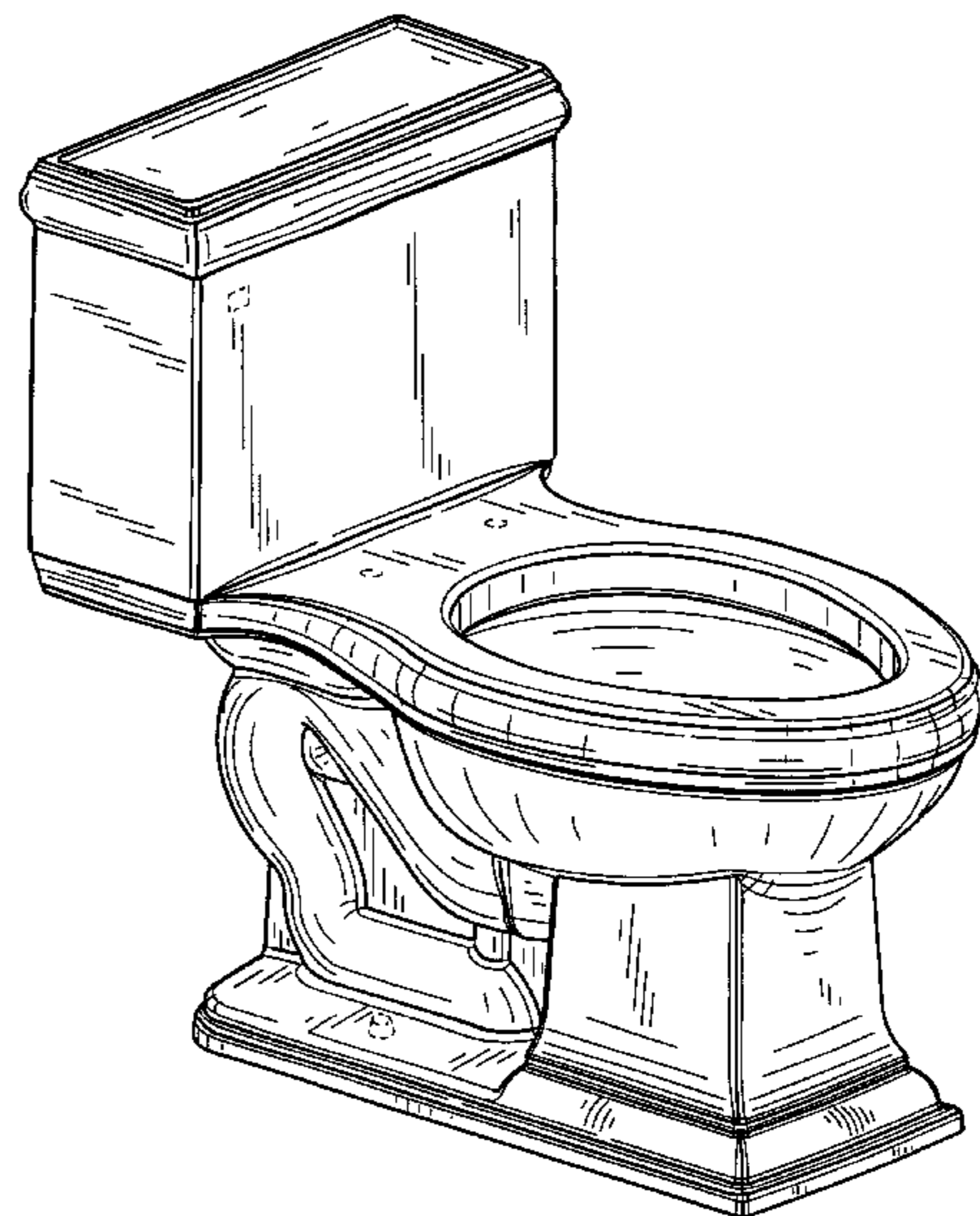
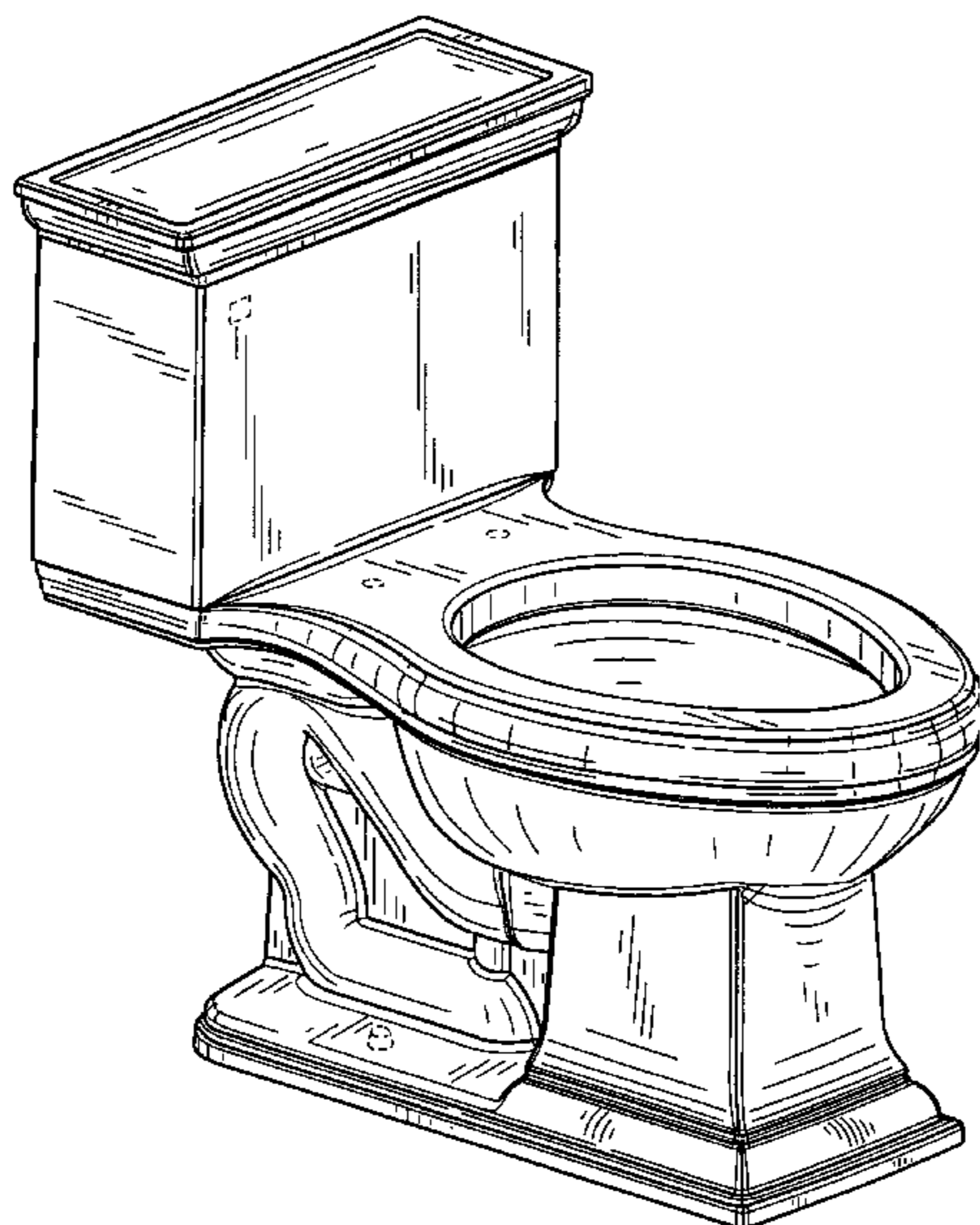
FIG. 10 is a front elevational view thereof;

FIG. 11 is a rear elevational view thereof; and,

FIG. 12 is a bottom plan view thereof.

The broken line representations of holes in FIGS. 1, 2, 4, 6-8, 10, and 12, of a cap in FIGS. 1, 3, 5, 7, 9, and 11, and of mounting structure in FIGS. 6 and 12, are for the purpose of illustration only, and form no part of the claimed design.

1 Claim, 6 Drawing Sheets



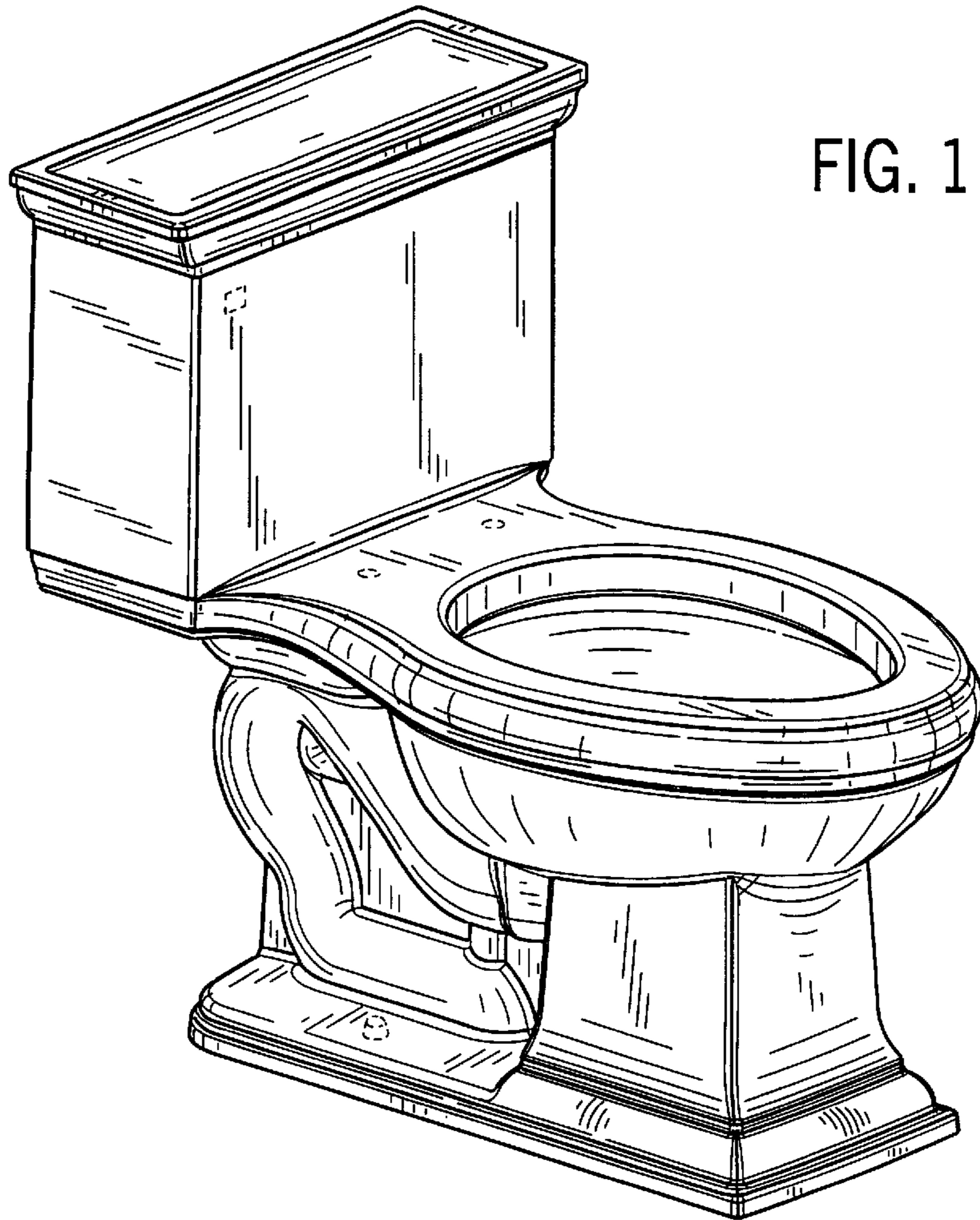
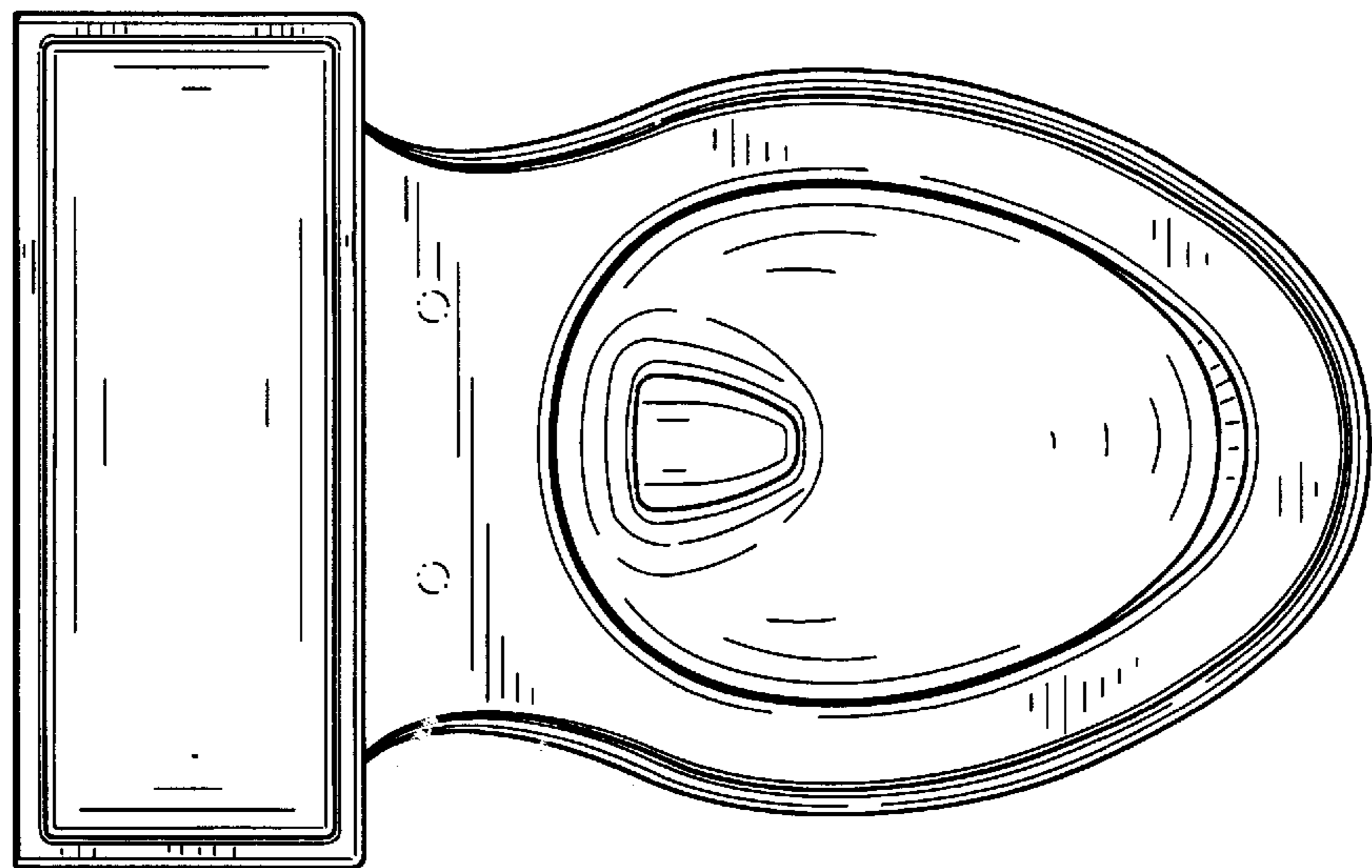


FIG. 1

FIG. 2



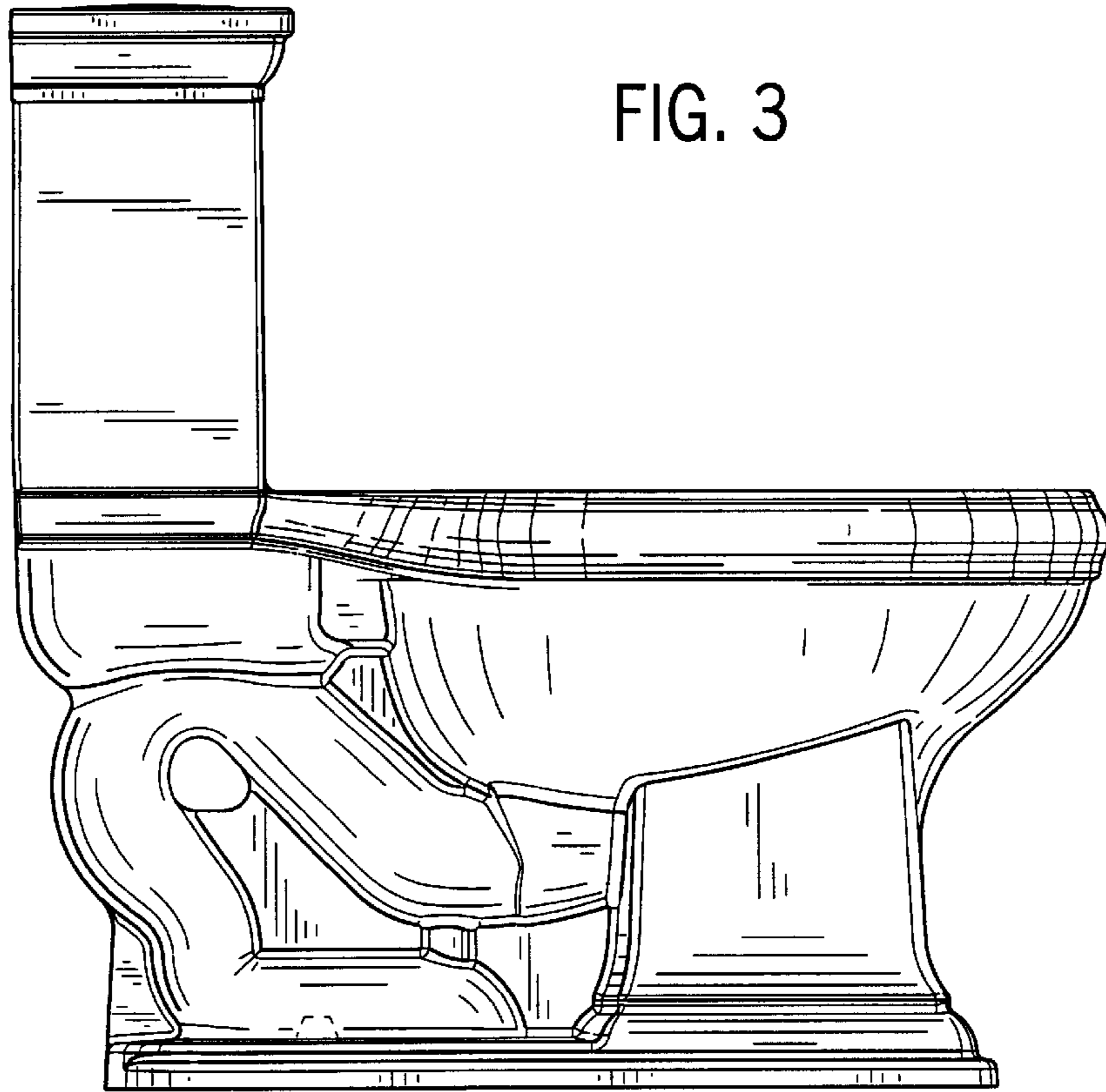


FIG. 3

FIG. 4

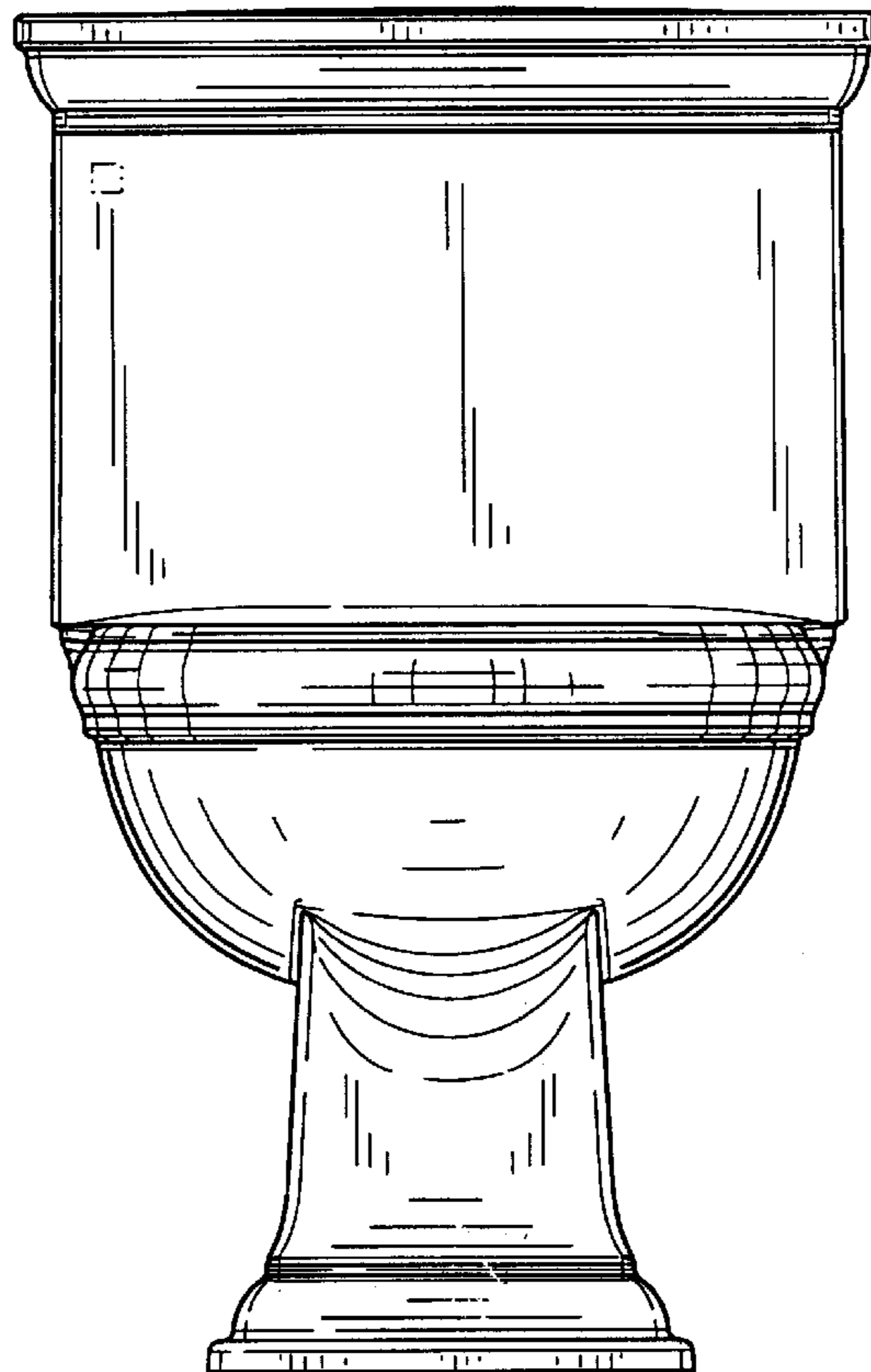


FIG. 5

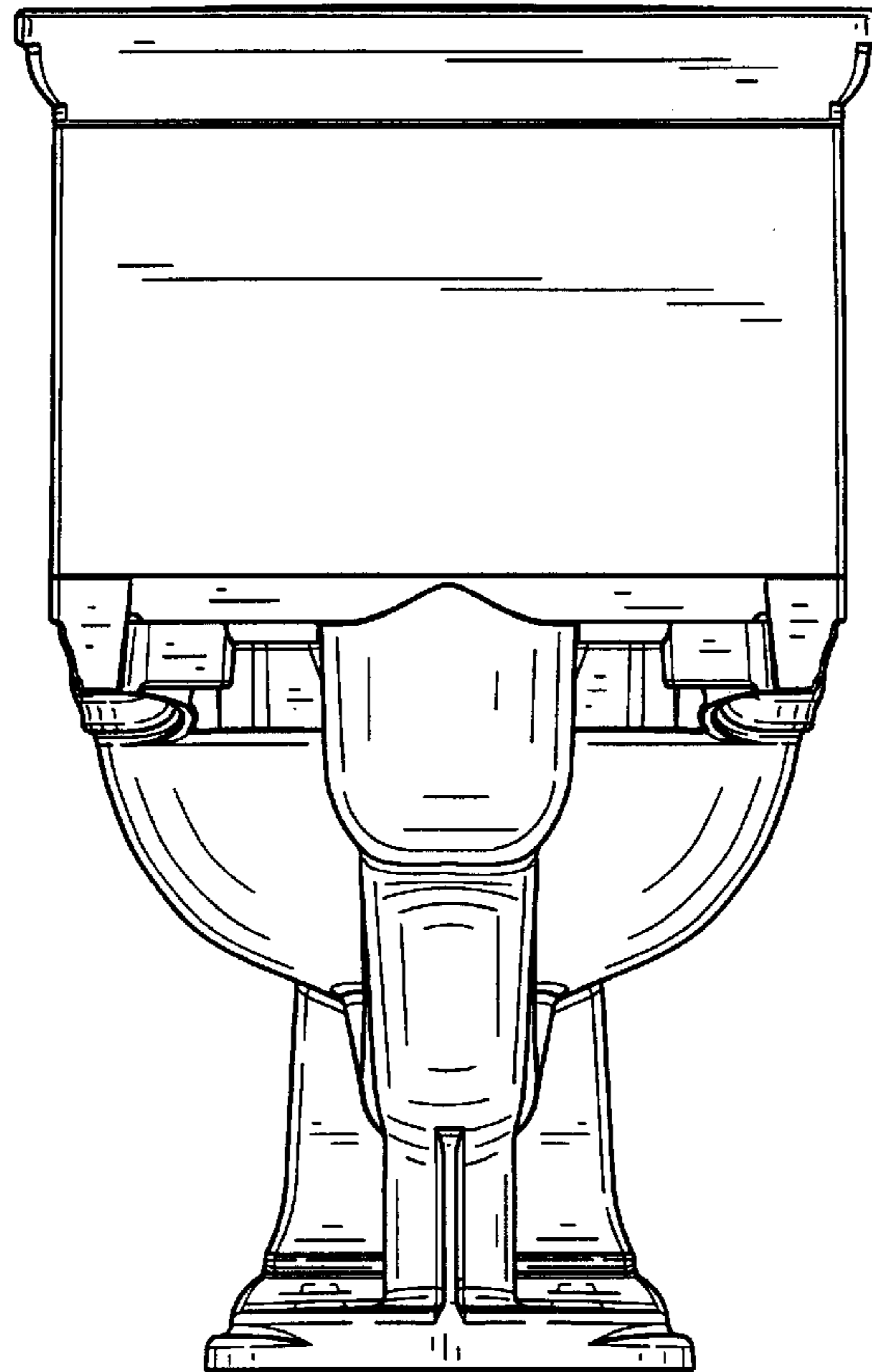
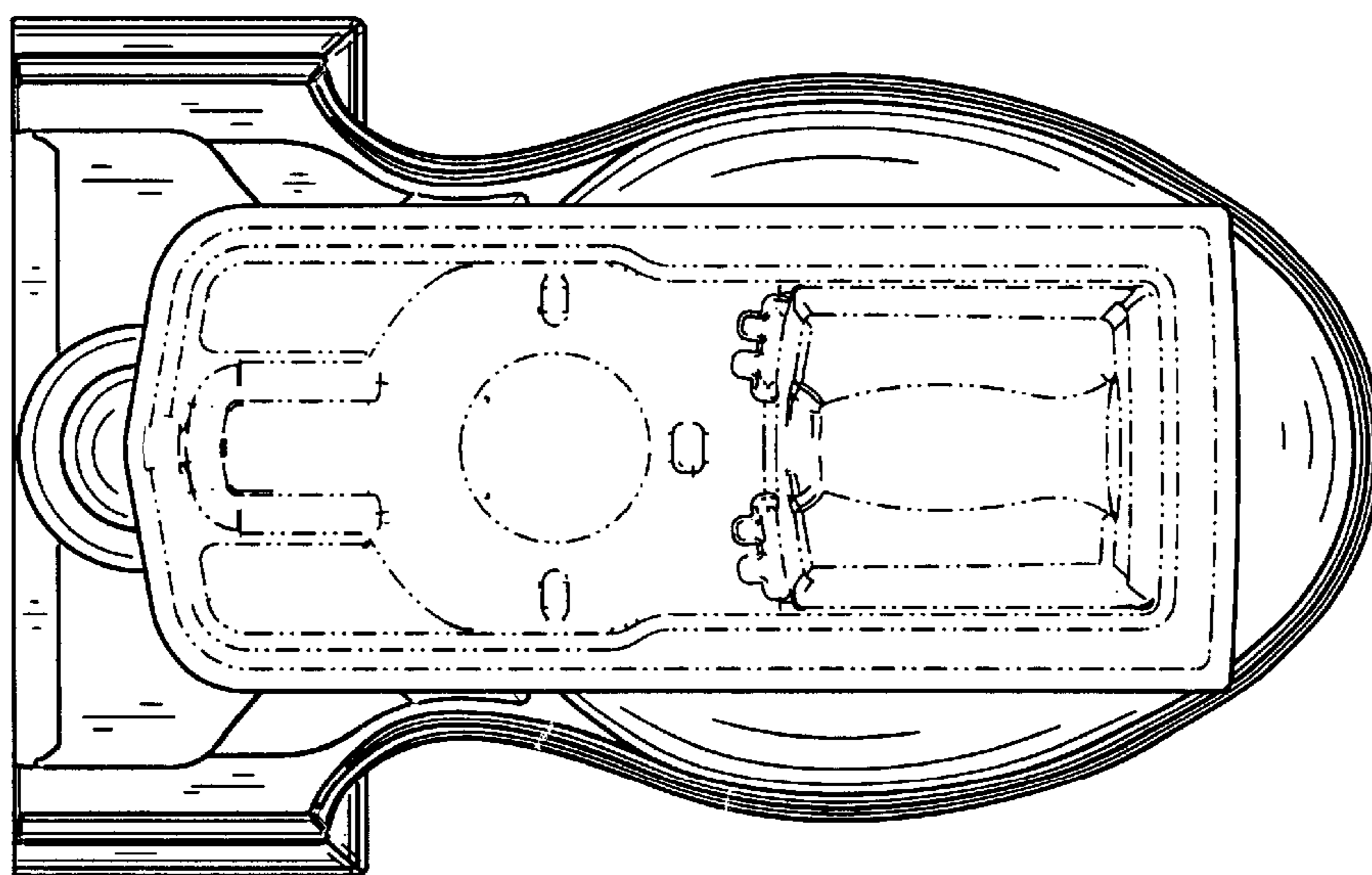


FIG. 6



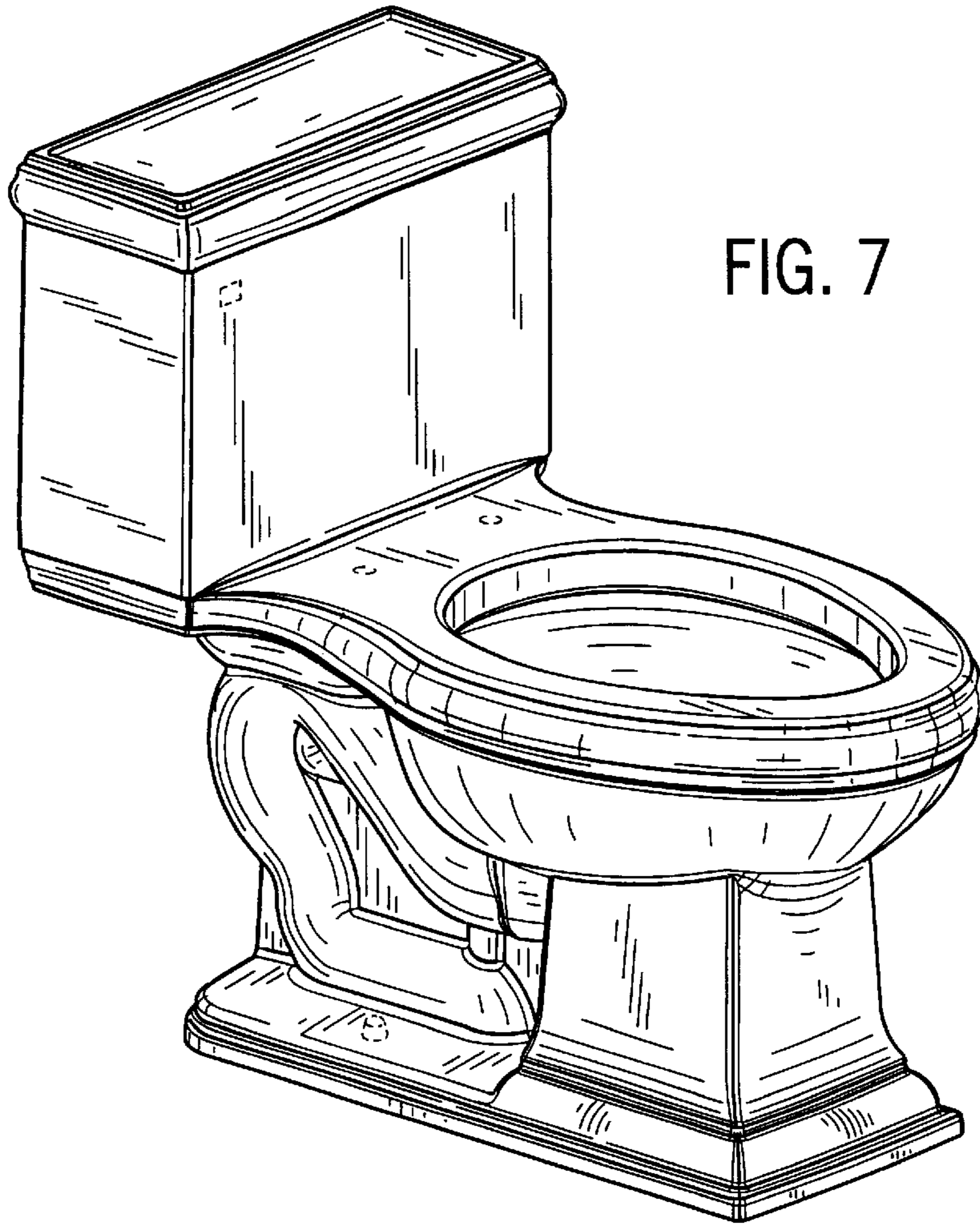
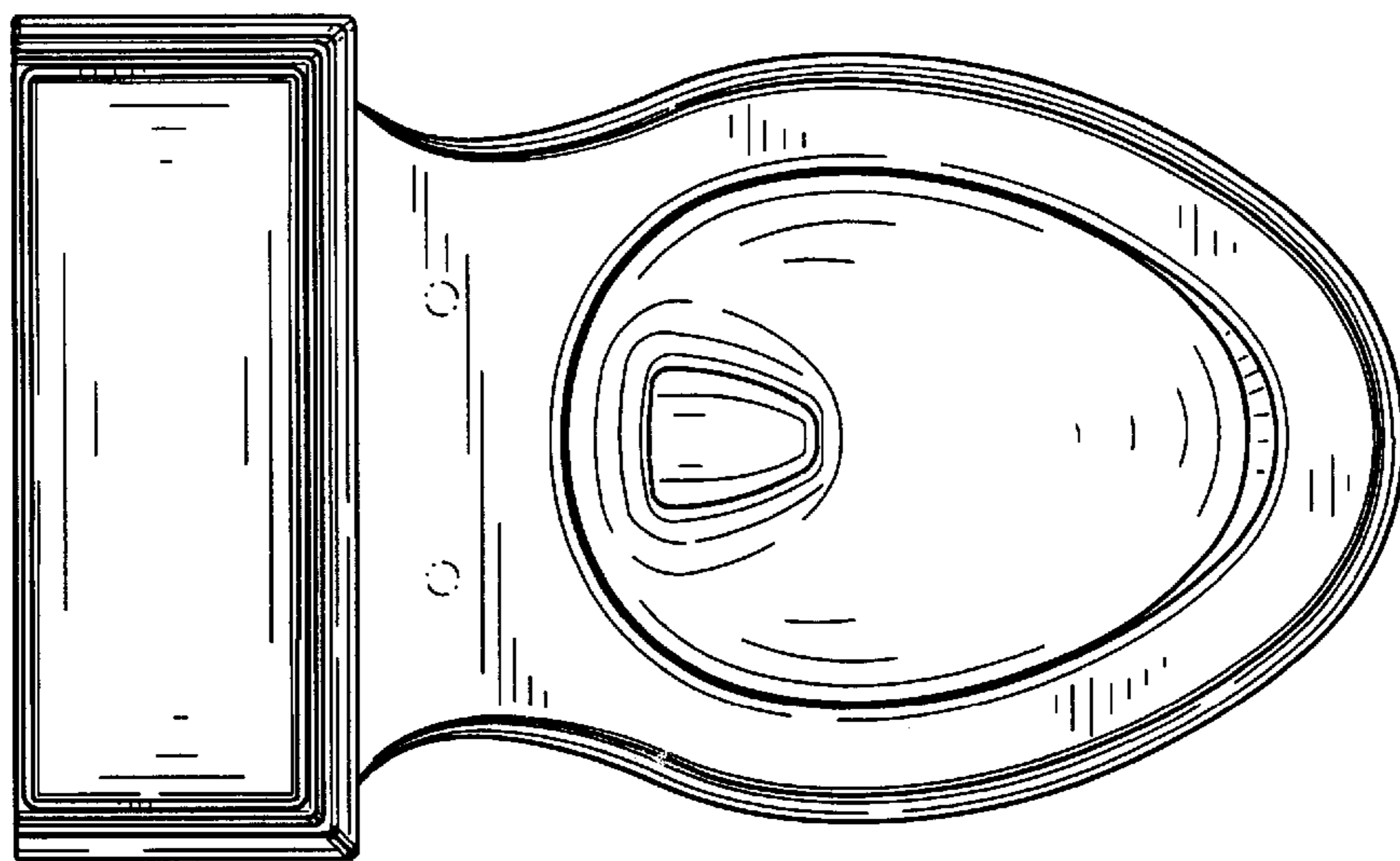


FIG. 7

FIG. 8



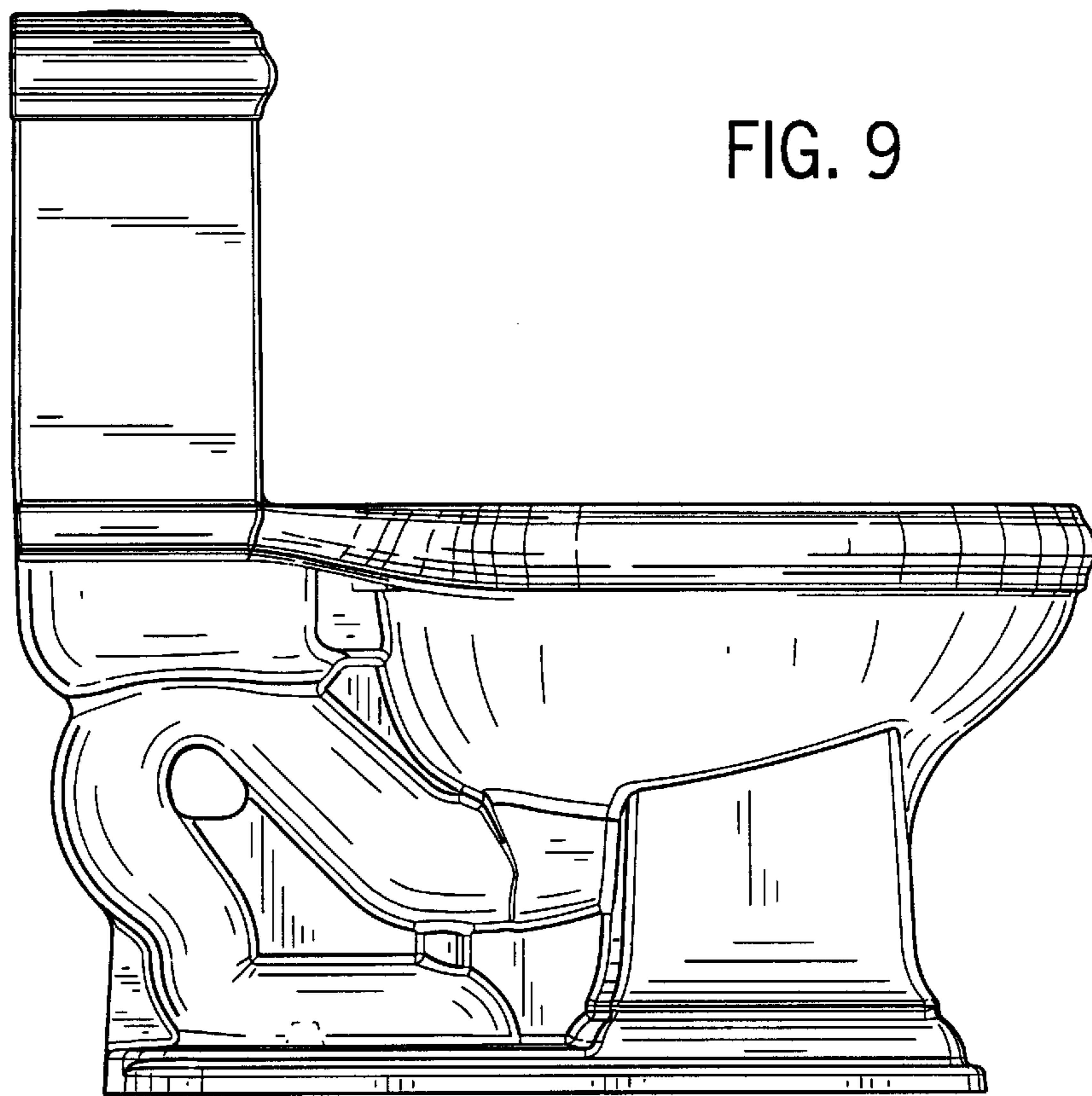


FIG. 9

FIG. 10

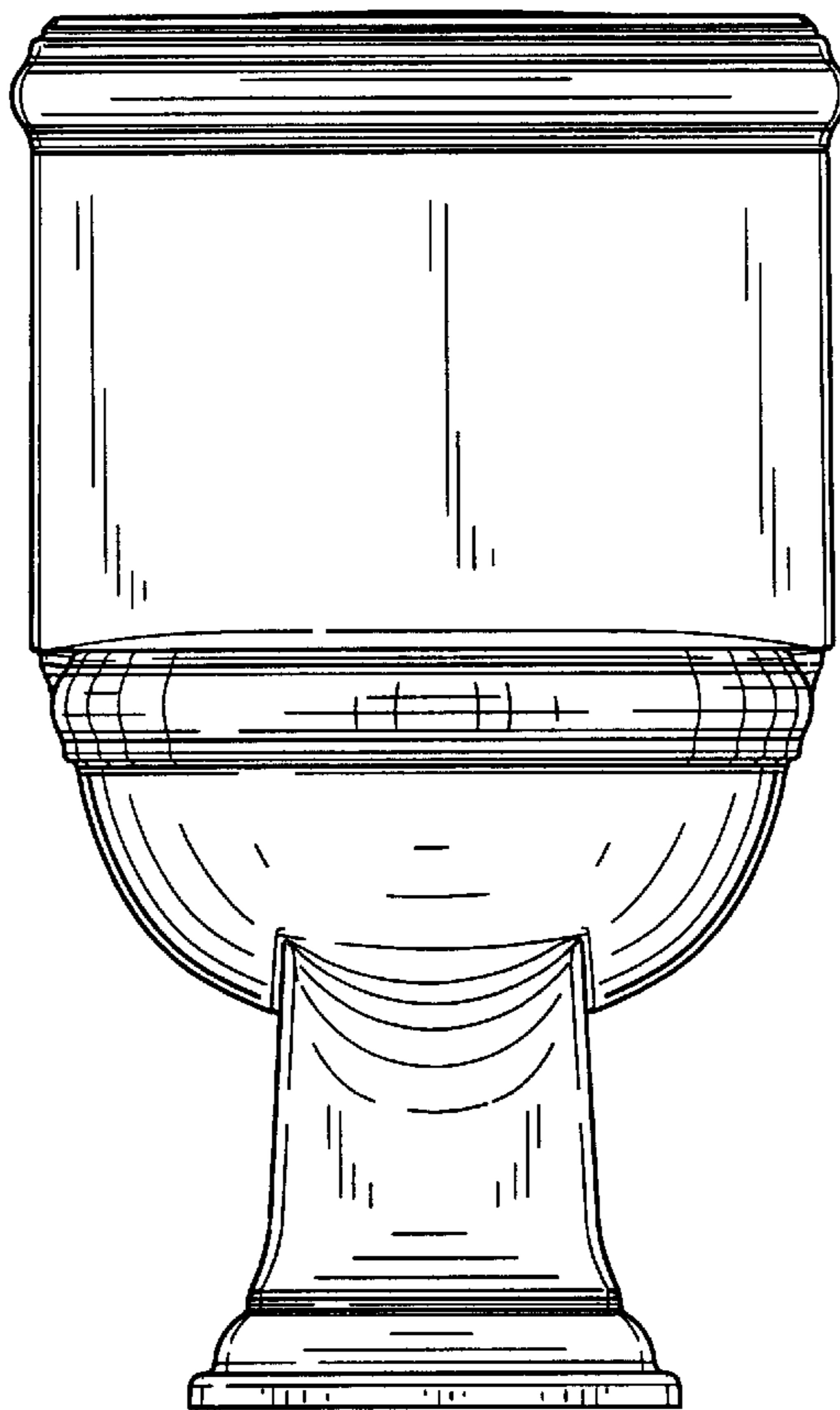


FIG. 11

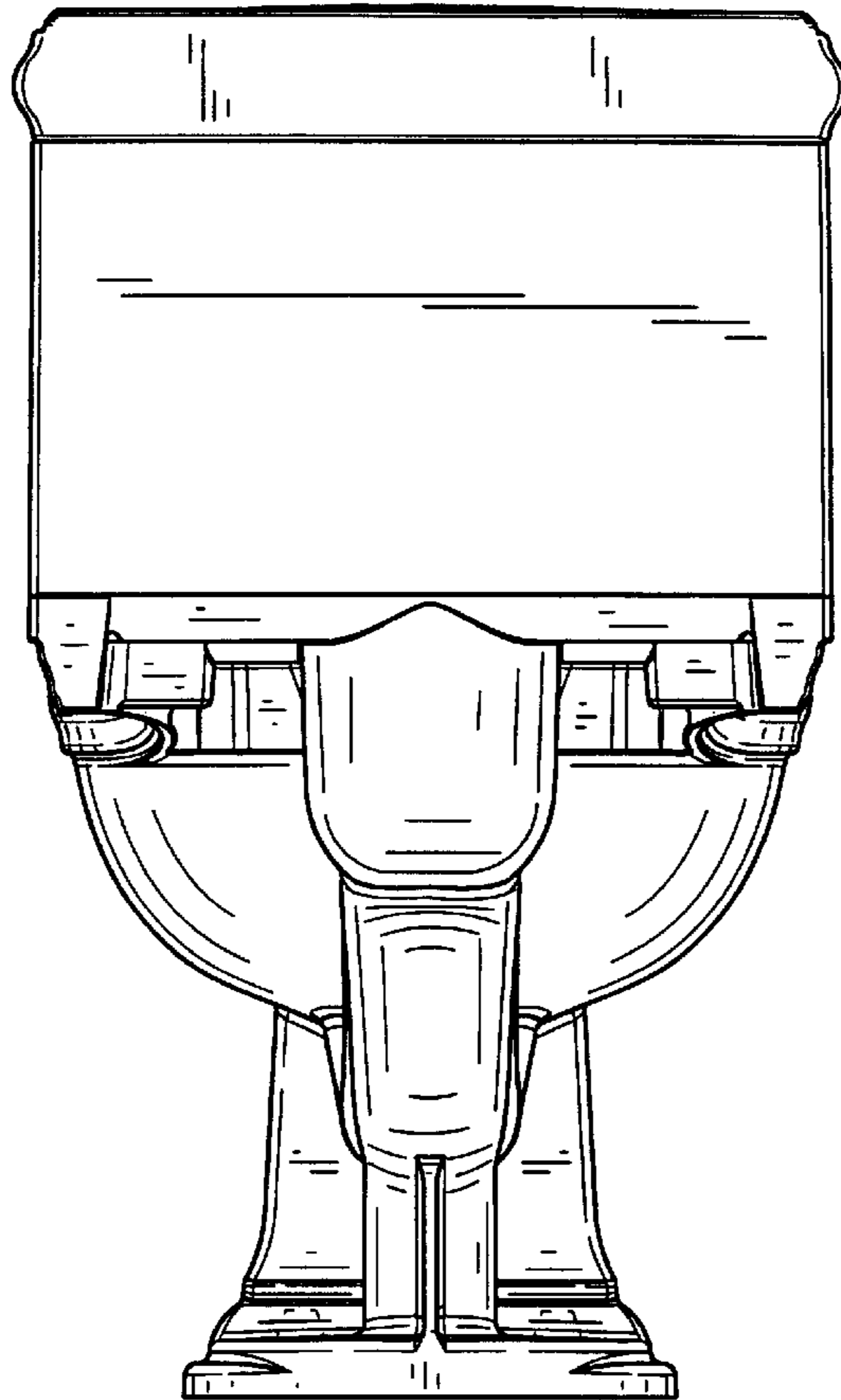


FIG. 12

