



US00D441436S

(12) **United States Design Patent**  
**Chao**

(10) **Patent No.:** **US D441,436 S**

(45) **Date of Patent:** **\*\* May 1, 2001**

(54) **WATER PIPE CONNECTOR**

(76) Inventor: **Hui-Chen Chao**, 75, Liao Tsuo Hsiang,  
Liao Tsuo Li, Lu Kang Chen, Chang  
Hua Hsien (TW)

(\*\*) Term: **14 Years**

(21) Appl. No.: **29/123,717**

(22) Filed: **May 25, 2000**

(51) **LOC (7) Cl.** ..... **23-01**

(52) **U.S. Cl.** ..... **D23/262**

(58) **Field of Search** ..... D23/259, 262,  
D23/223; D24/129; 285/8, 34, 35, 144.1,  
145.2, 145.3, 146.1, 148.1, 148.15, 148.22,  
153.1, 238, 261, 272, 275, 314, 347, 376,  
390

(56) **References Cited**

**U.S. PATENT DOCUMENTS**

D. 408,889 \* 4/1999 Hui-Chen ..... D23/223  
D. 432,628 \* 10/2000 Chao ..... D23/233  
3,376,053 \* 4/1968 Novakovich et al. .... 285/347

3,413,017 \* 11/1968 Hughey ..... 285/148.22

5,152,554 \* 10/1992 LaFleur et al. .... 285/34

5,901,887 \* 5/1999 Wark ..... 285/148.22

\* cited by examiner

*Primary Examiner*—Robin V. Taylor

*Assistant Examiner*—Reid Hecker

(74) *Attorney, Agent, or Firm*—Harrison & Egbert

(57) **CLAIM**

The ornamental design for a water pipe connector, as shown and described.

**DESCRIPTION**

FIG. 1 is an upper perspective view of the water pipe connector showing my design.

FIG. 2 is a front view thereof;

FIG. 3 is a back view thereof;

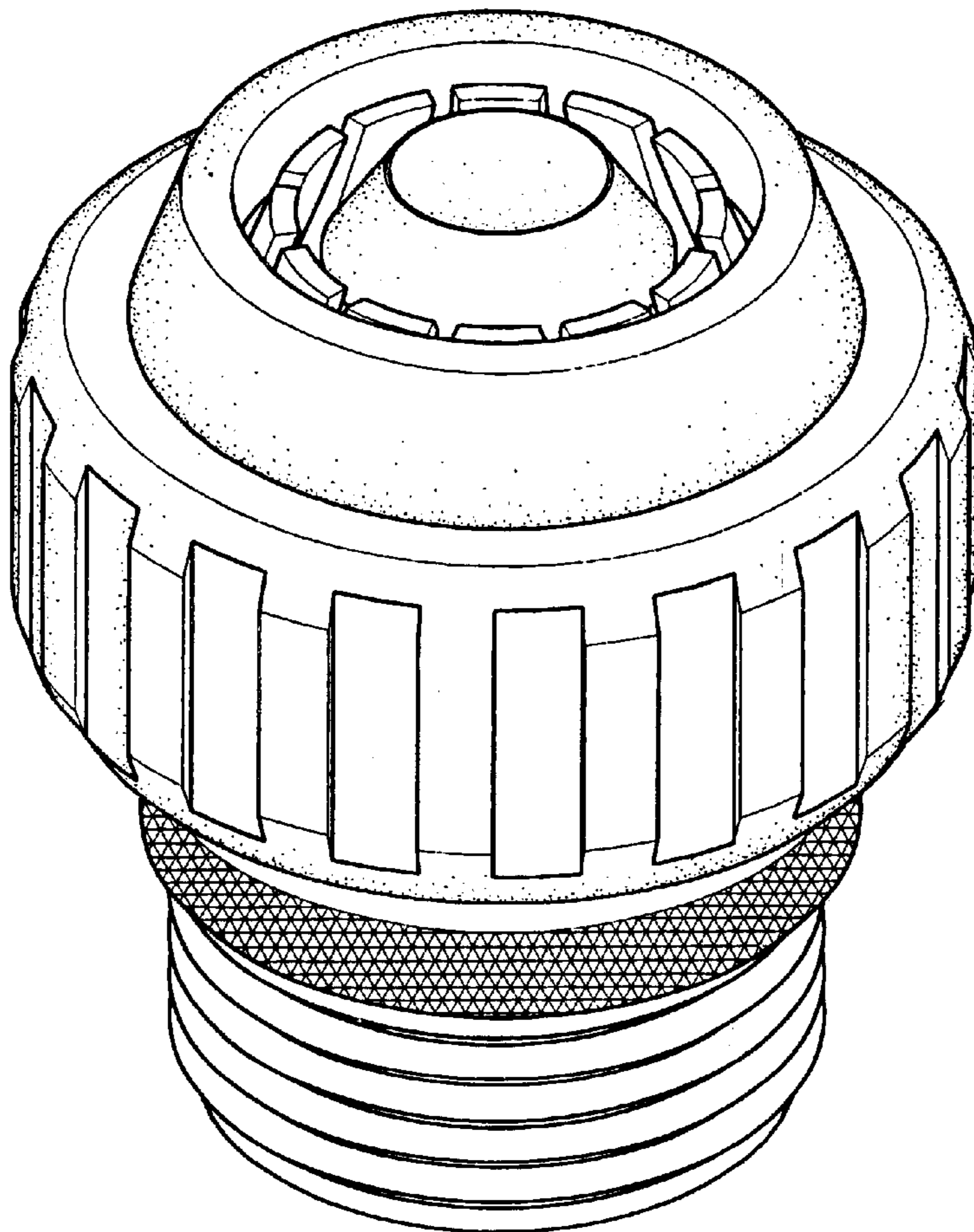
FIG. 4 is a side view thereof;

FIG. 5 is an opposite side view thereof;

FIG. 6 is a top view thereof; and,

FIG. 7 is a bottom view thereof.

**1 Claim, 4 Drawing Sheets**



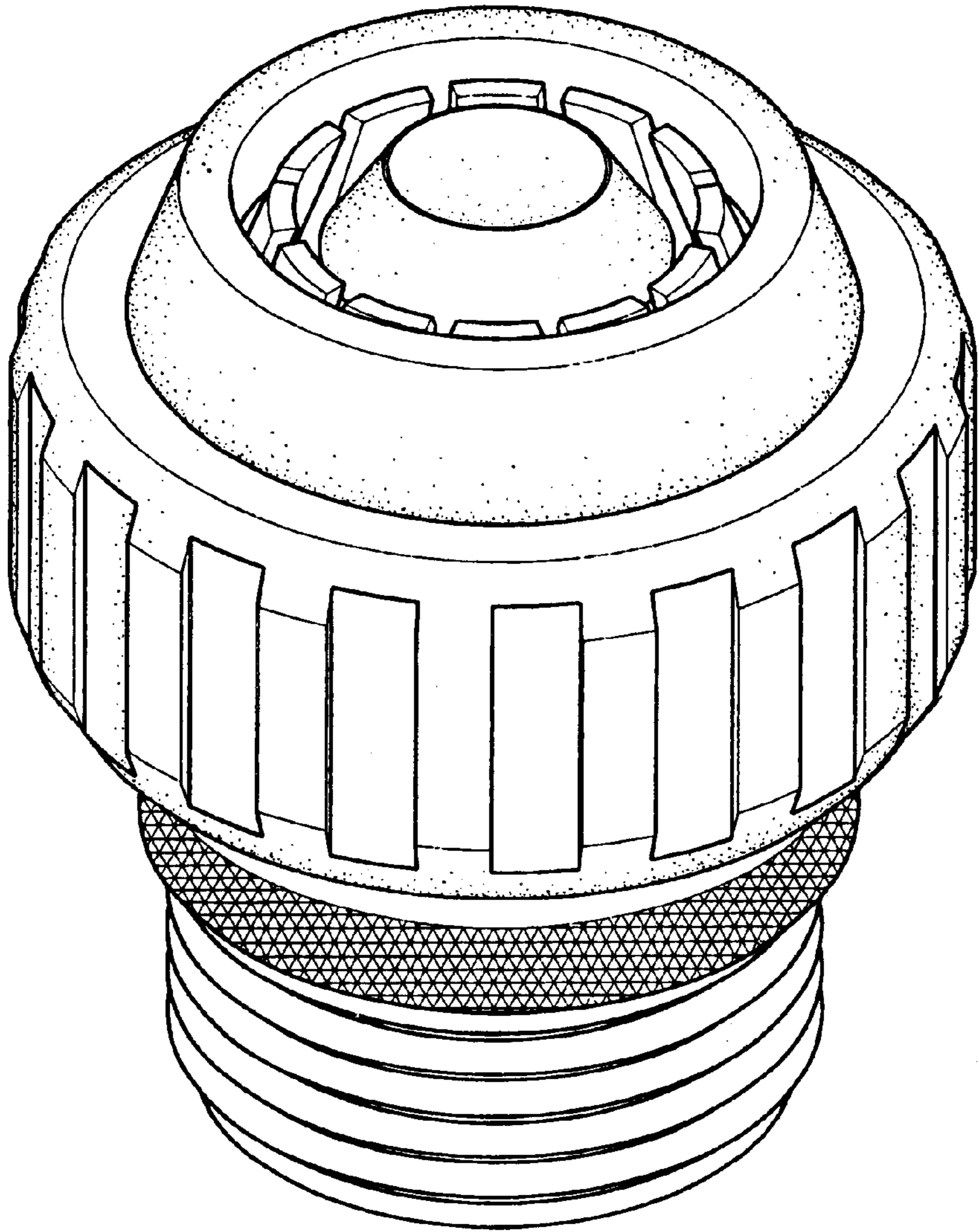


FIG.1

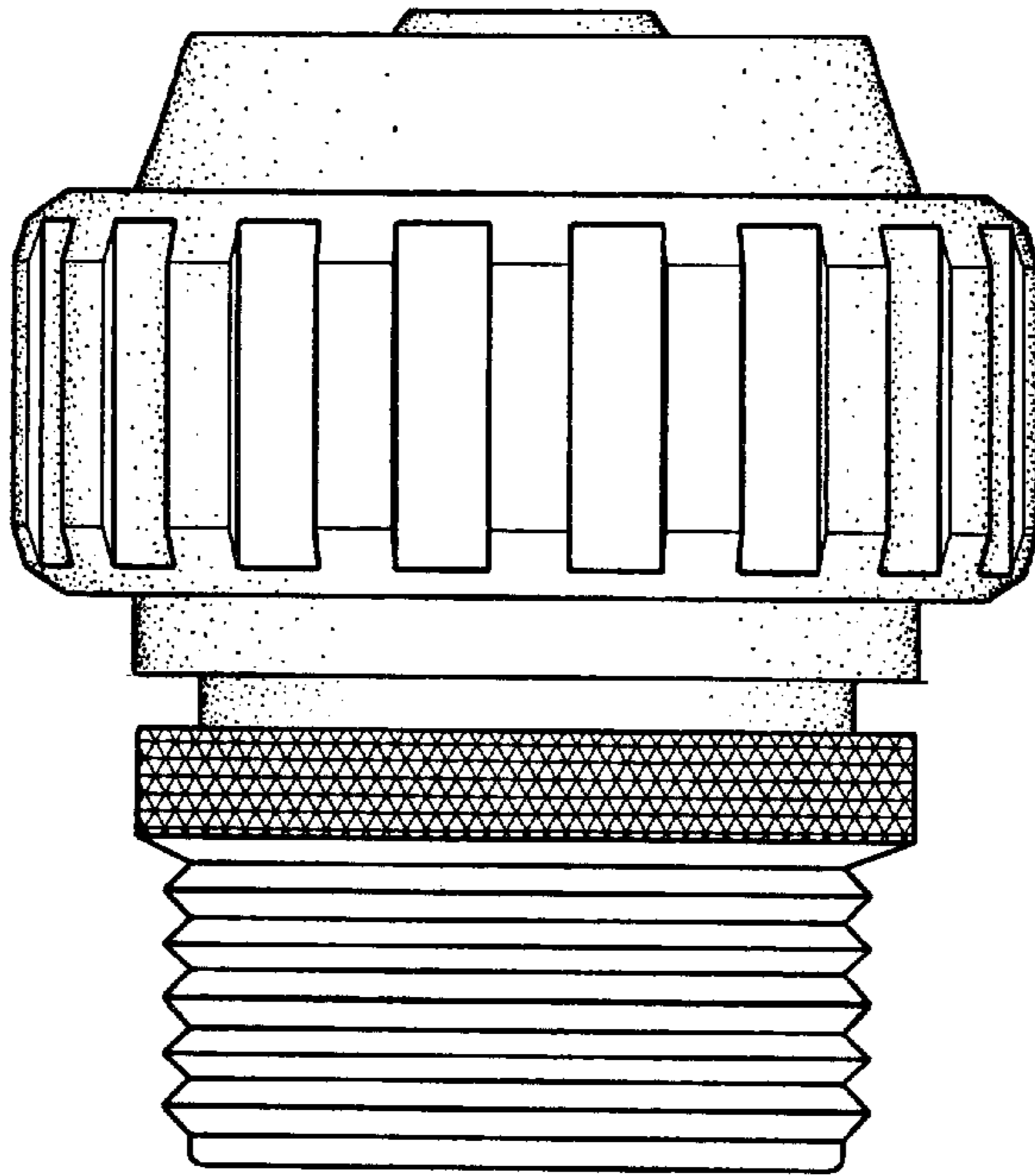


FIG. 2

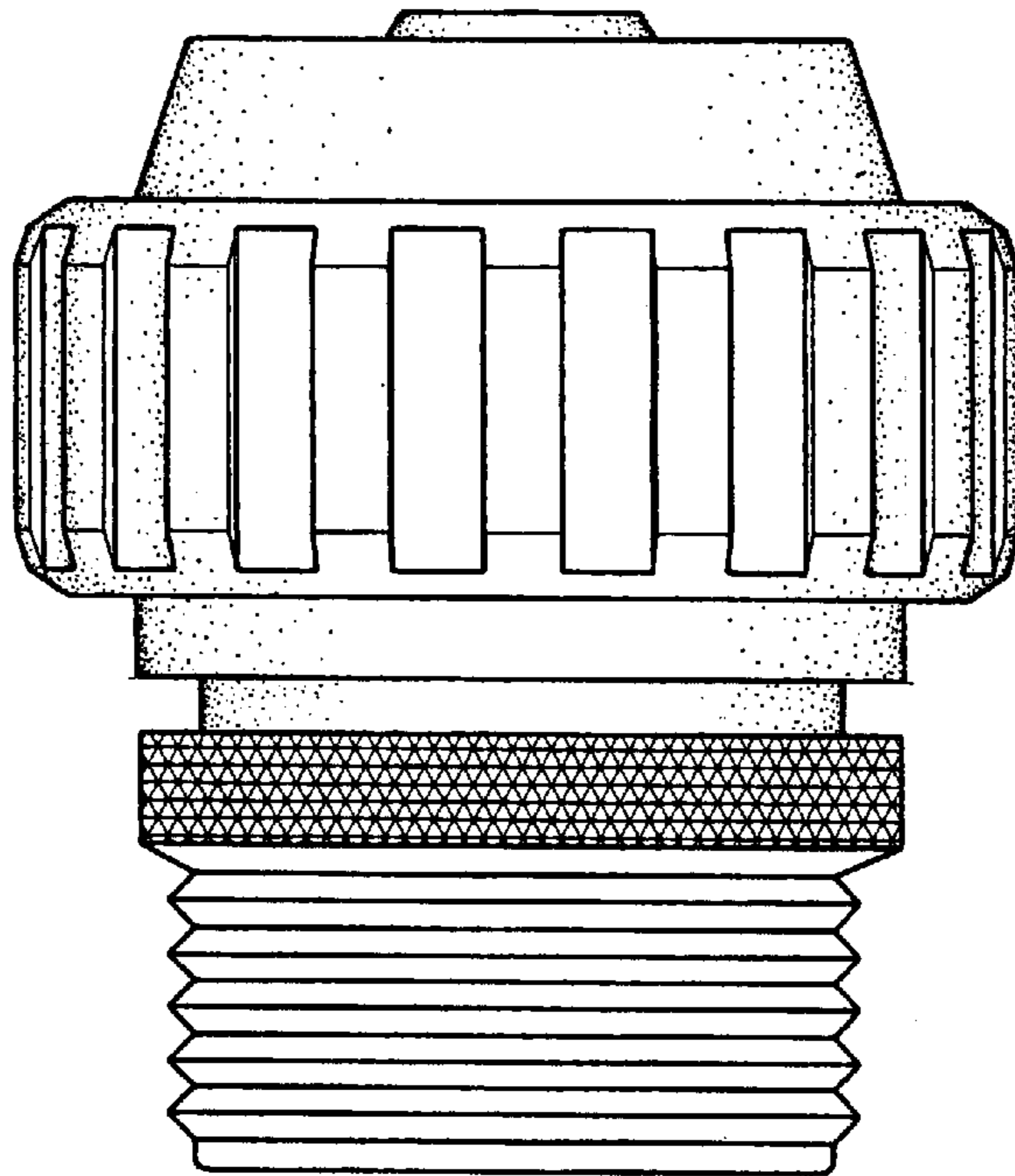


FIG. 3

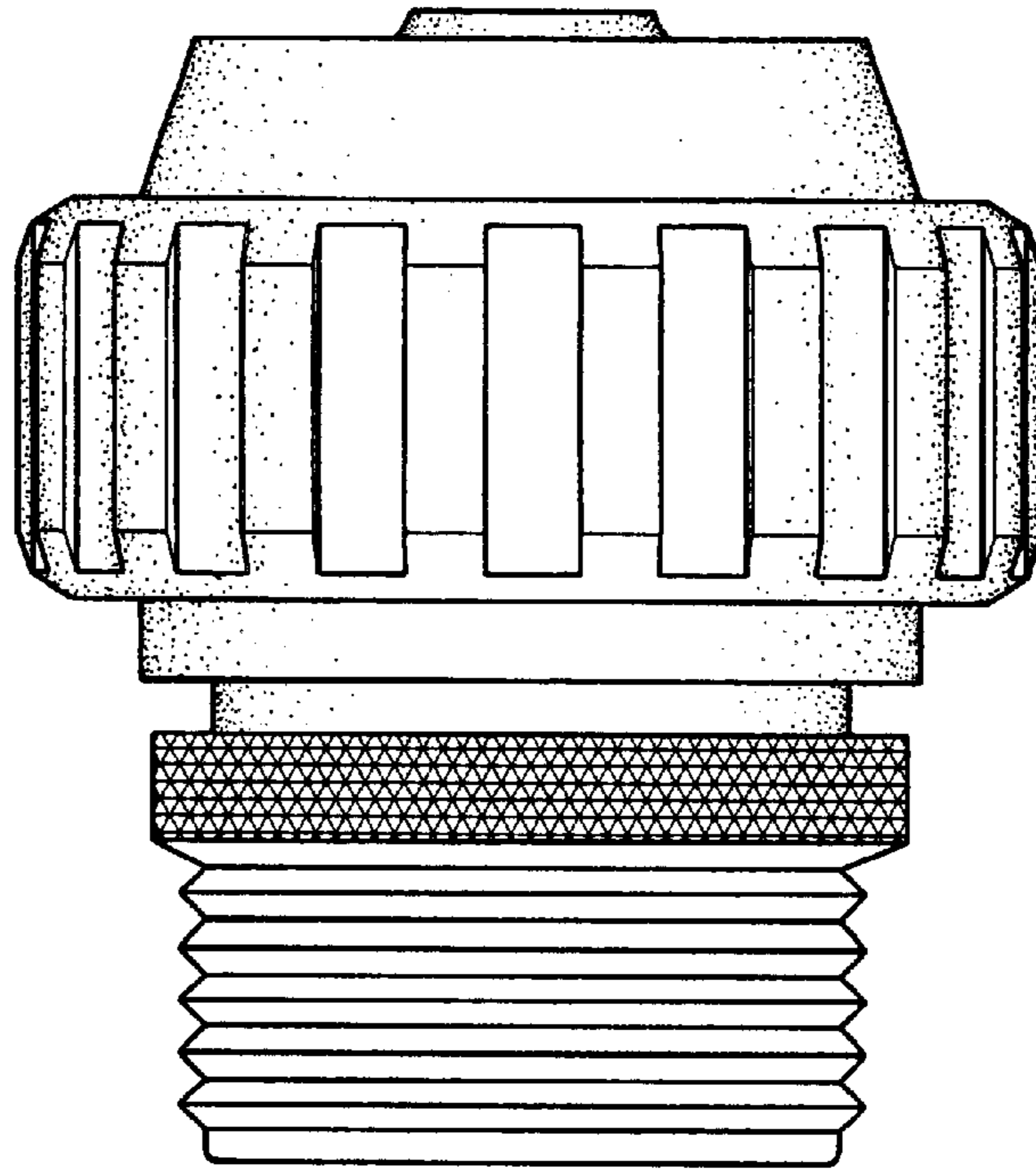


FIG. 4

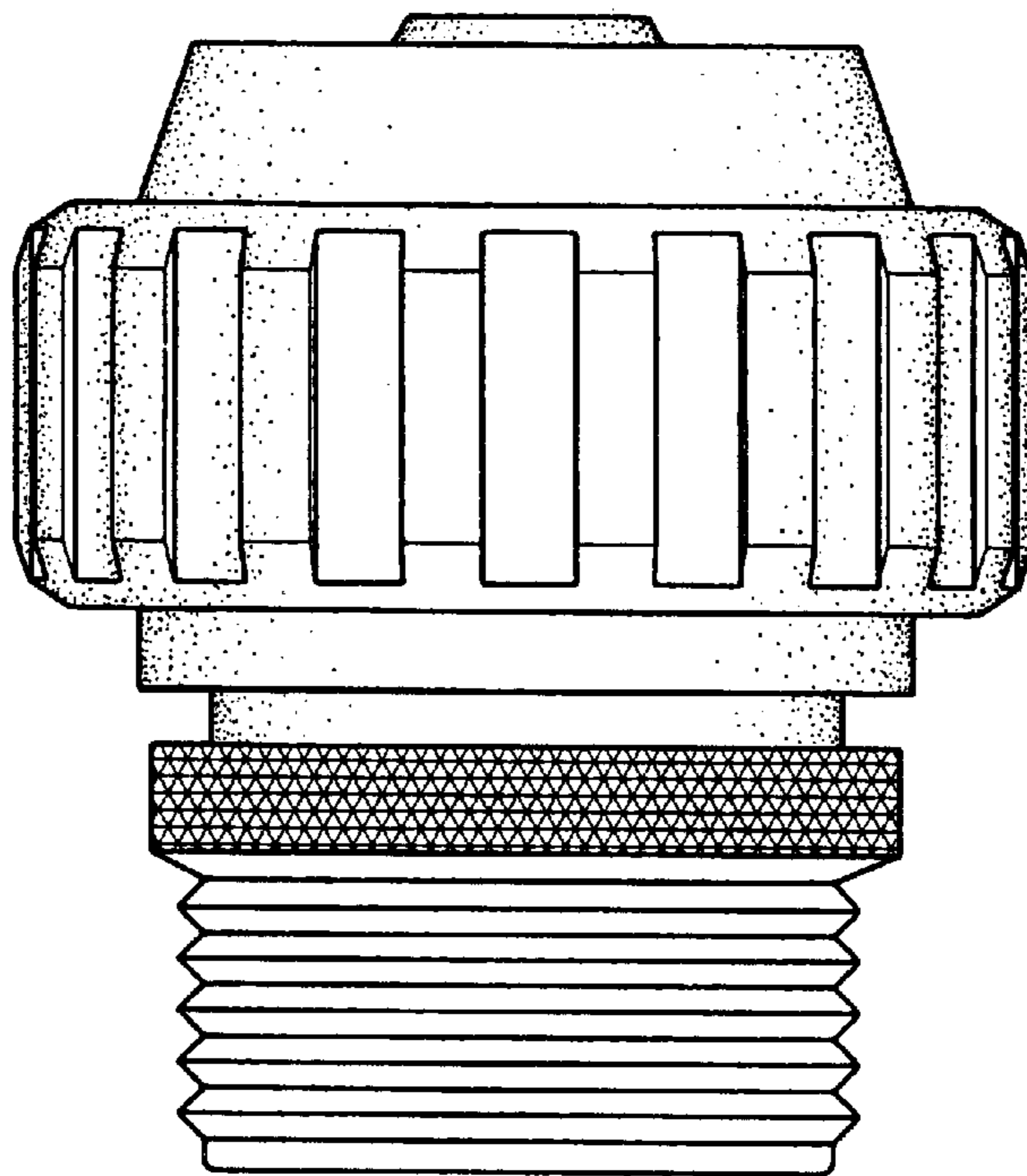


FIG. 5

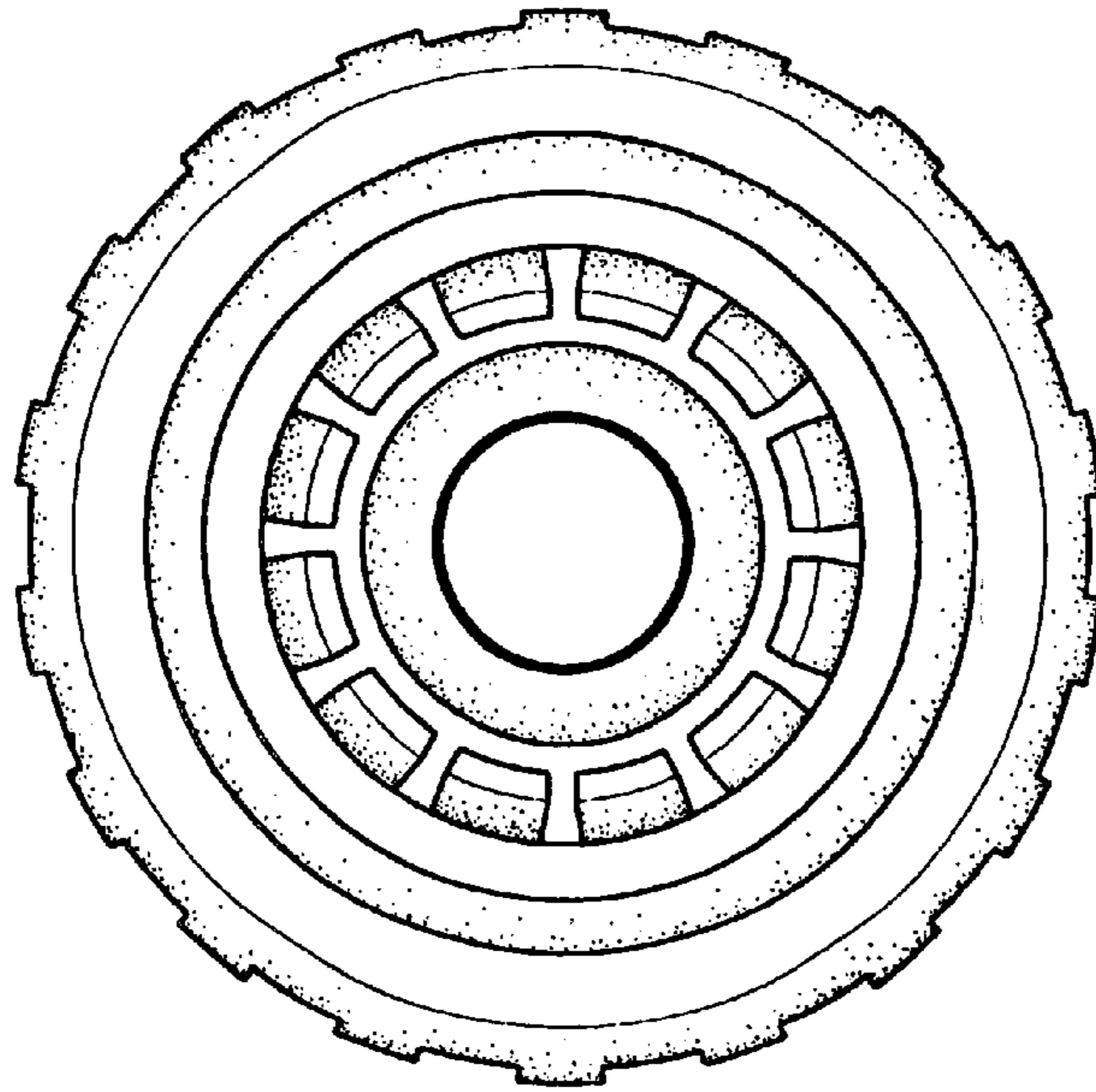


FIG. 6

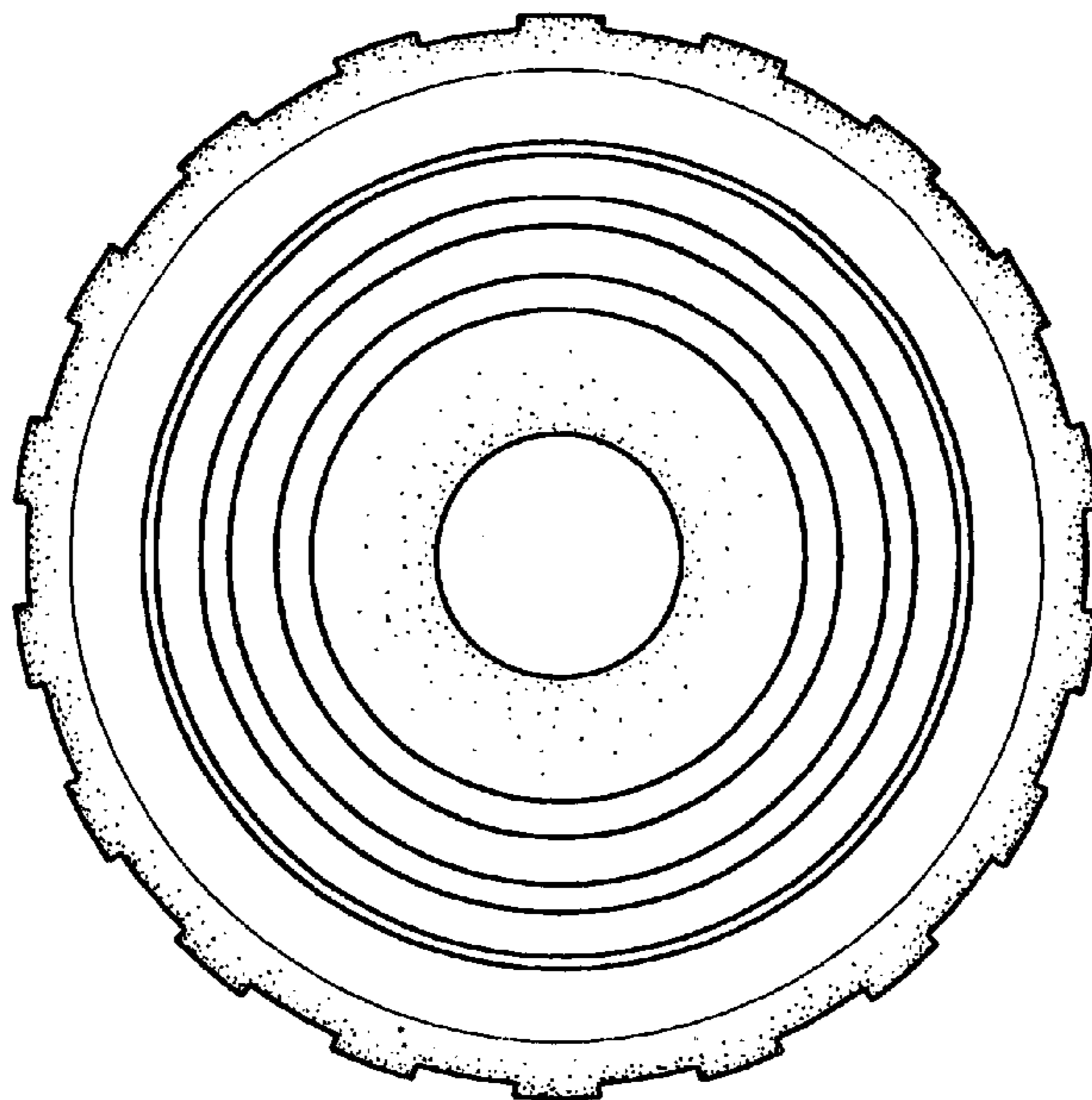


FIG. 7