



US00D441435S

(12) **United States Design Patent**  
**Patteson et al.**

(10) **Patent No.:** **US D441,435 S**

(45) **Date of Patent:** **\*\* May 1, 2001**

(54) **UNIVERSAL HOSE CONNECTOR**

(76) Inventors: **Wilfred Mark Patteson**, 715 Irwin Crescent, Newmarket, Ontario (CA), L3Y 5A4; **John Henry De La Poer Beresford**, 633 Lakeshore Blvd. West, Suite 307, Toronto, Ontario (CA), M5V 3B9

(\*\*) Term: **14 Years**

(21) Appl. No.: **29/115,785**

(22) Filed: **Dec. 22, 1999**

(51) **LOC (7) Cl.** ..... **23-01**

(52) **U.S. Cl.** ..... **D23/262**

(58) **Field of Search** ..... D23/262; D24/129; 285/136.1, 148.22, 148.23, 305, 903, 133.11, 133.4, 139.3, 238, 239, 332, 332.4, 333, 334.1, 334.2, 397, 405

(56) **References Cited**

**U.S. PATENT DOCUMENTS**

D. 178,331	*	7/1956	Williams	.....	D23/262
D. 282,962	*	3/1986	Gerber	.....	D23/262
D. 290,646		6/1987	Cook	.....	D23/43
D. 333,178		2/1993	Novy	.....	D23/262
D. 337,153	*	7/1993	King	.....	D23/262
1,716,961	*	6/1929	Hoffman	.....	285/148.22
1,996,855	*	4/1935	Cheswright	.....	285/239
2,098,423	*	11/1937	Kennedy	.....	285/305
2,311,708		2/1943	Sundholm	.....	284/14
2,419,453		4/1947	Kocevar	.....	285/160

2,449,754		9/1948	Seitz	.....	285/111
3,148,895	*	9/1964	Jasper et al.	.....	285/136.1
3,727,953		4/1973	Martin et al.	.....	285/177
3,866,950		2/1975	Skoch et al.	.....	285/4
4,342,462		8/1982	Carlesimo	.....	277/101
4,597,594		7/1986	Kacalieff et al.	.....	285/239
4,703,956	*	11/1987	Keech	.....	285/148.23
4,874,370		10/1989	Heimerl et al.	.....	604/93
5,141,255		8/1992	Hanaoka	.....	285/4
5,335,943	*	8/1994	Duryea	.....	285/239
5,944,359	*	8/1999	Andronaco	.....	285/397

\* cited by examiner

*Primary Examiner*—Robin V. Taylor

*Assistant Examiner*—Reid Hecker

(74) *Attorney, Agent, or Firm*—Piasetzki & Nenniger

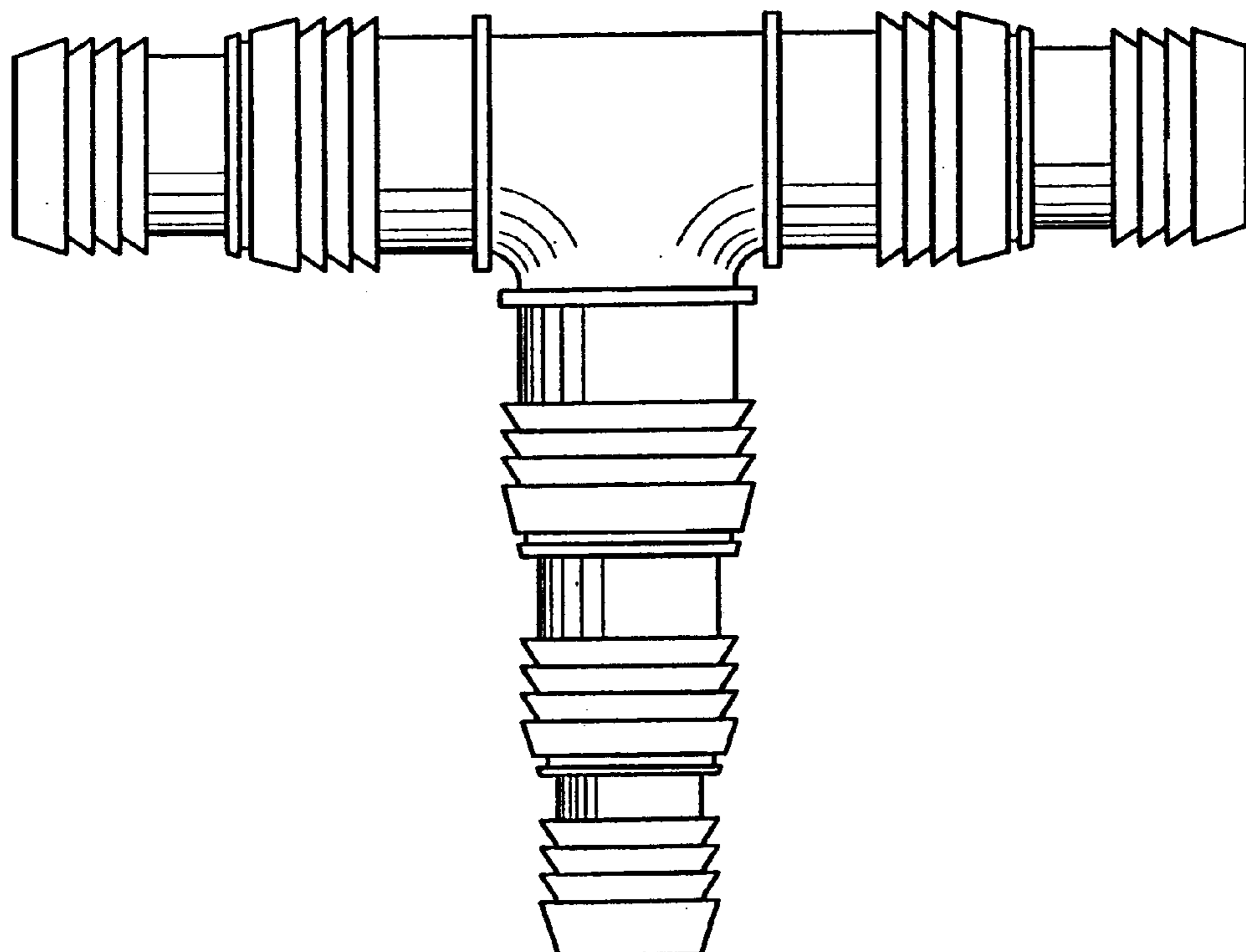
(57) **CLAIM**

The ornamental design for a universal hose connector, as shown.

**DESCRIPTION**

FIG. 1 is a plan view of a first embodiment of my design; FIG. 2 is a front view of a first embodiment of my design; FIG. 3 is a side view of a first embodiment of my design; FIG. 4 is a rear view of a first embodiment of my design; FIG. 5 is a plan view of a second embodiment of my design; FIG. 6 is a front view of a second embodiment of my design; FIG. 7 is a side view of a second embodiment of my design; and, FIG. 8 is a rear view of a second embodiment of my design.

**1 Claim, 2 Drawing Sheets**



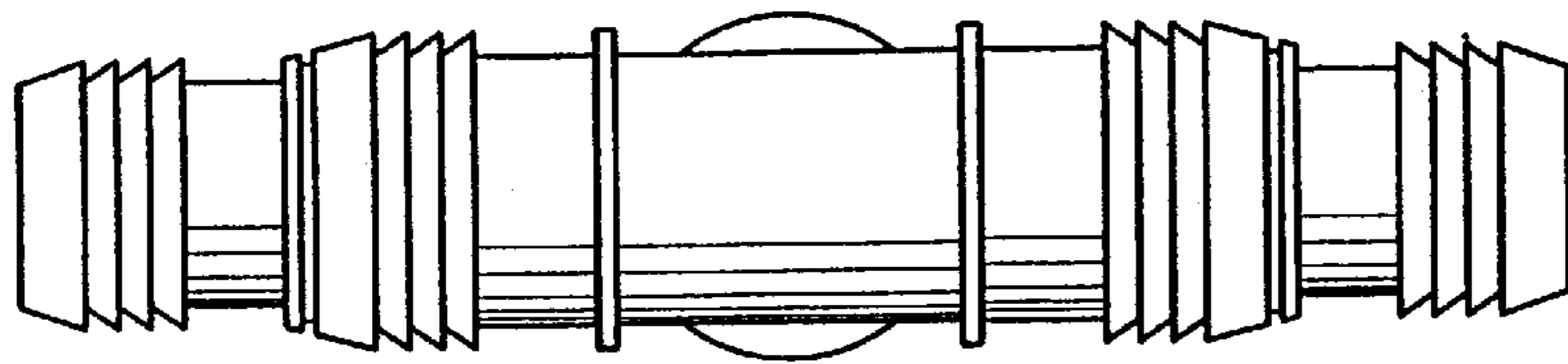


FIG. 4

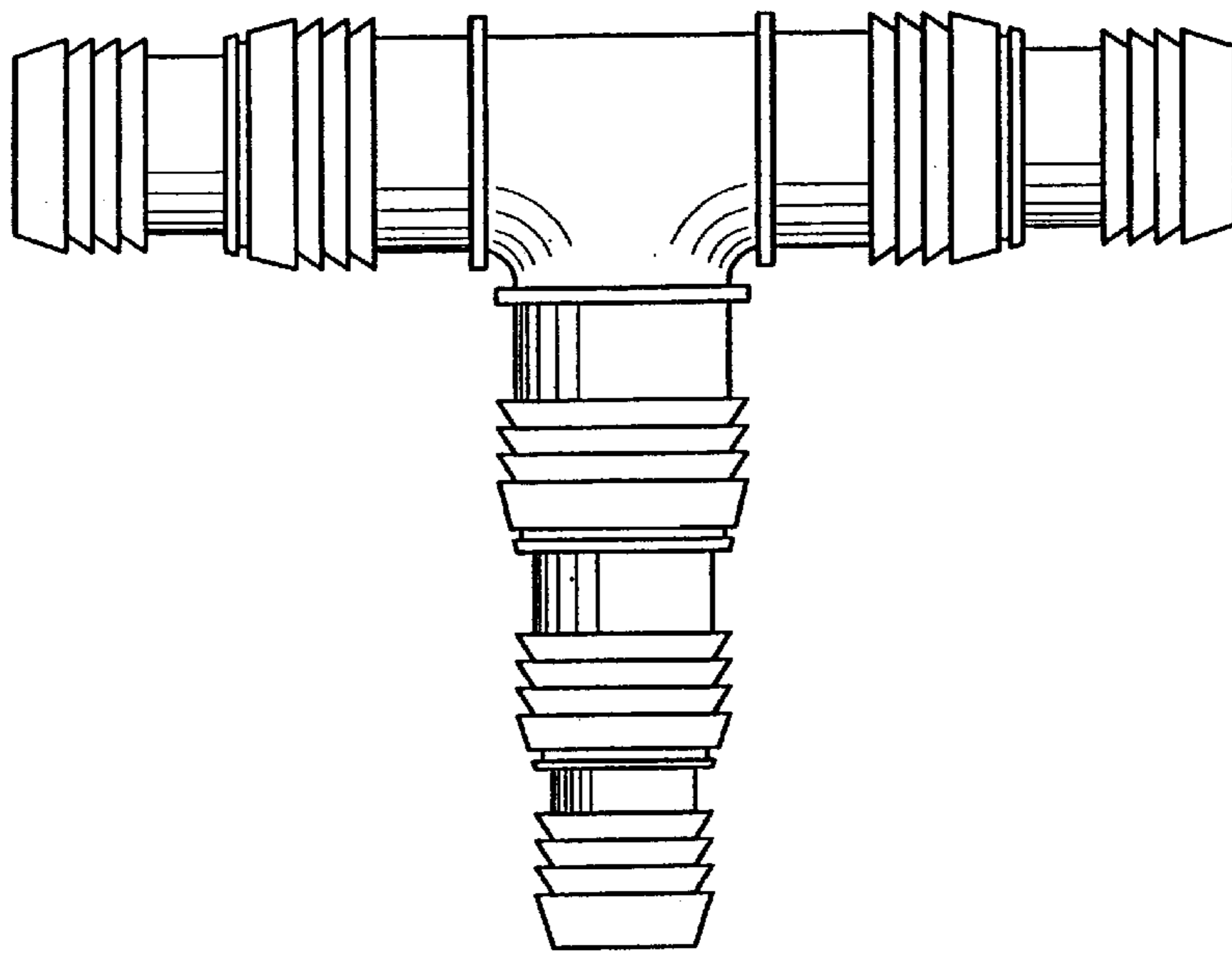


FIG. 1

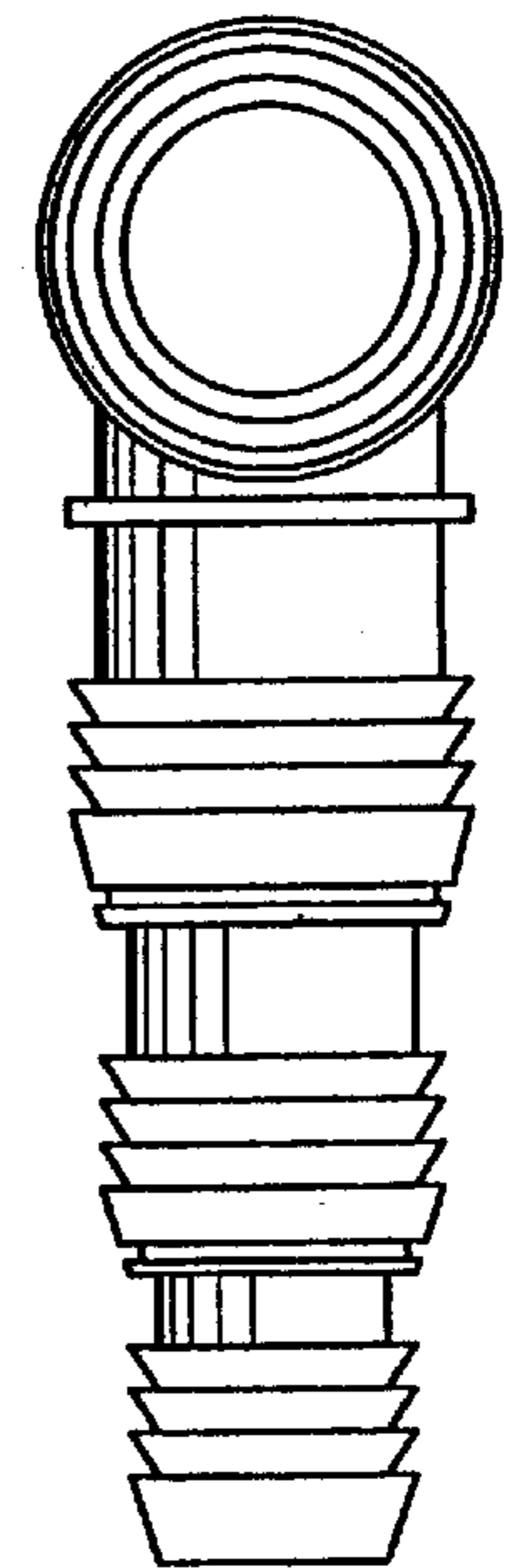


FIG. 3

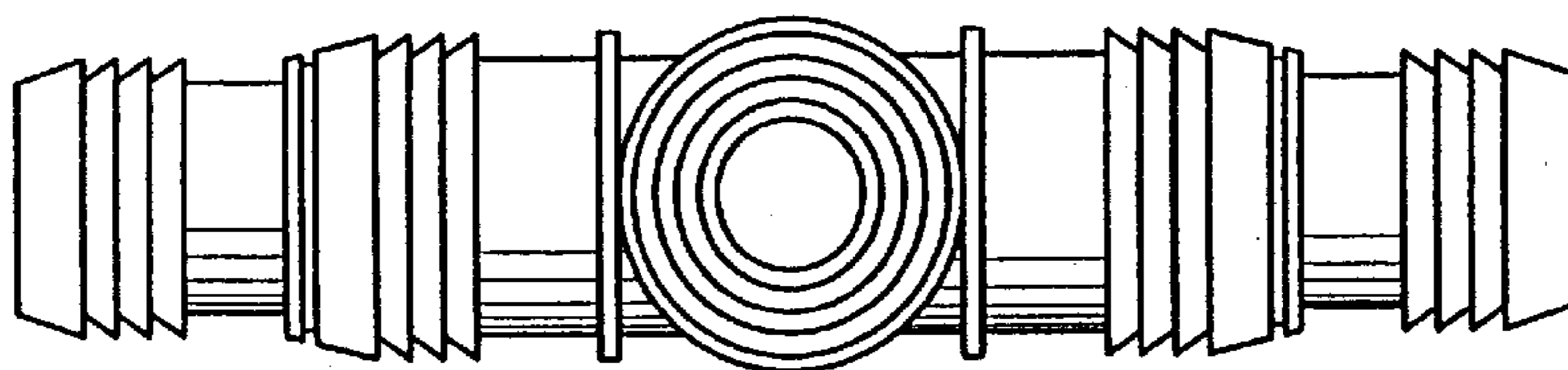


FIG. 2

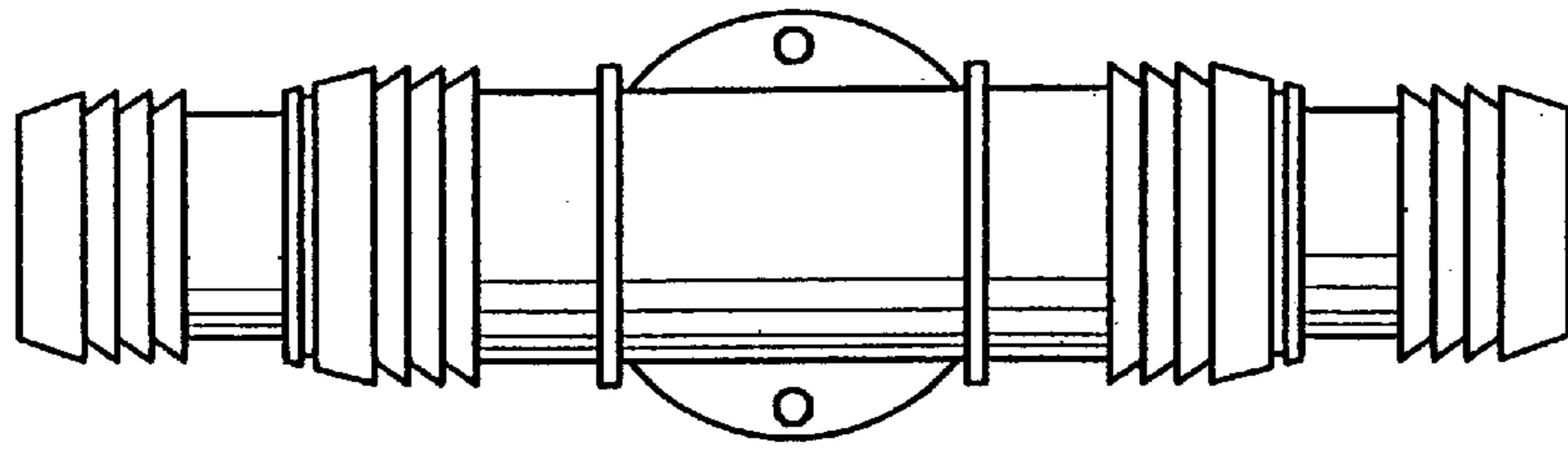


FIG. 8

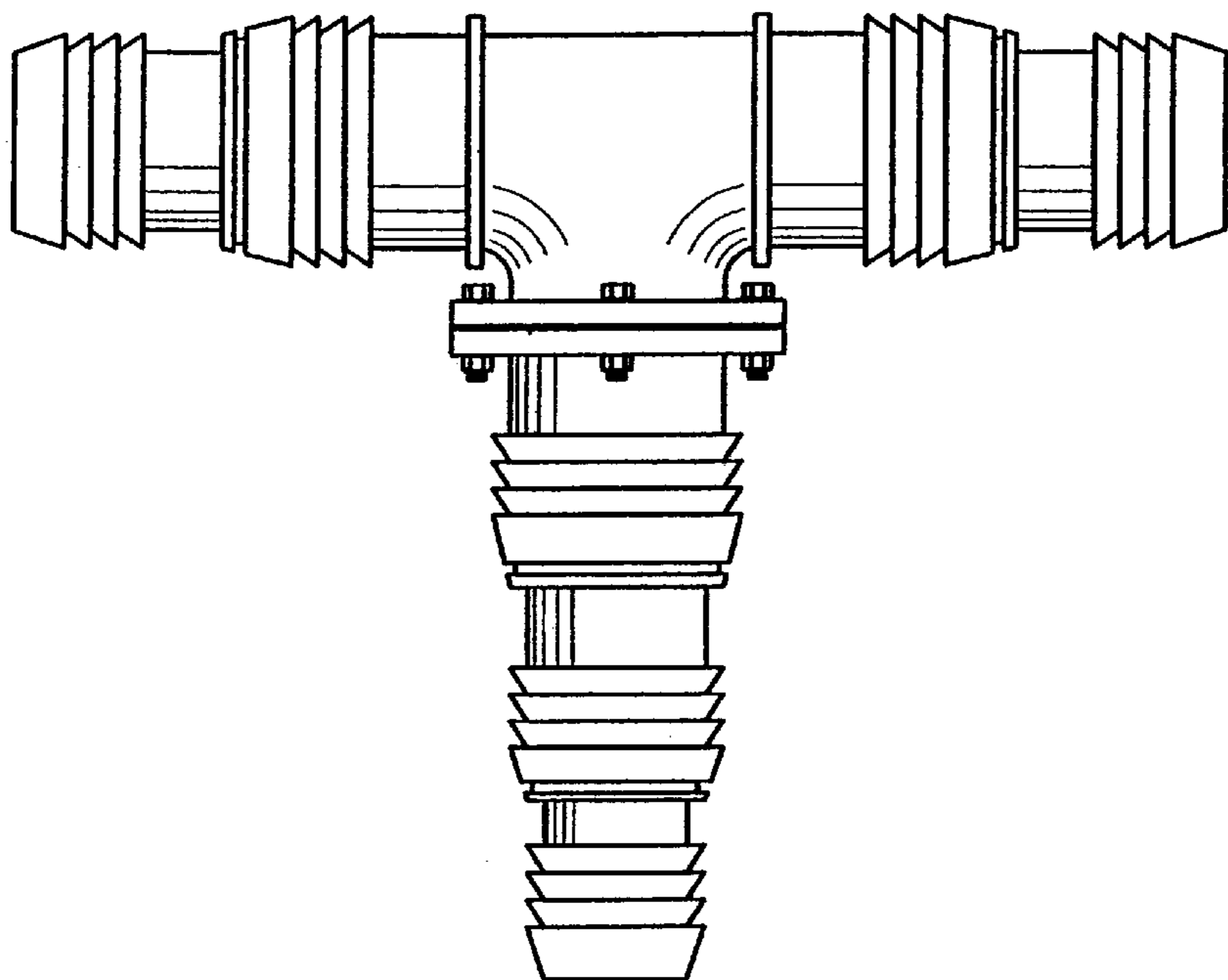


FIG. 5

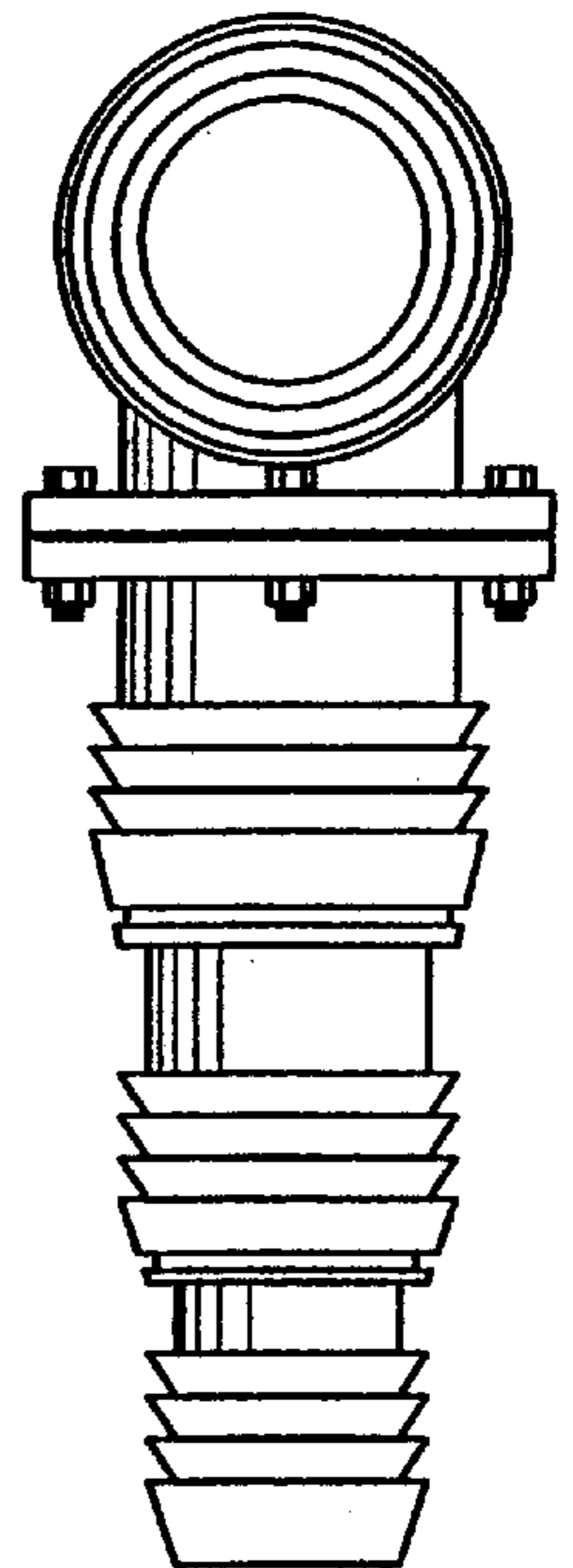


FIG. 7

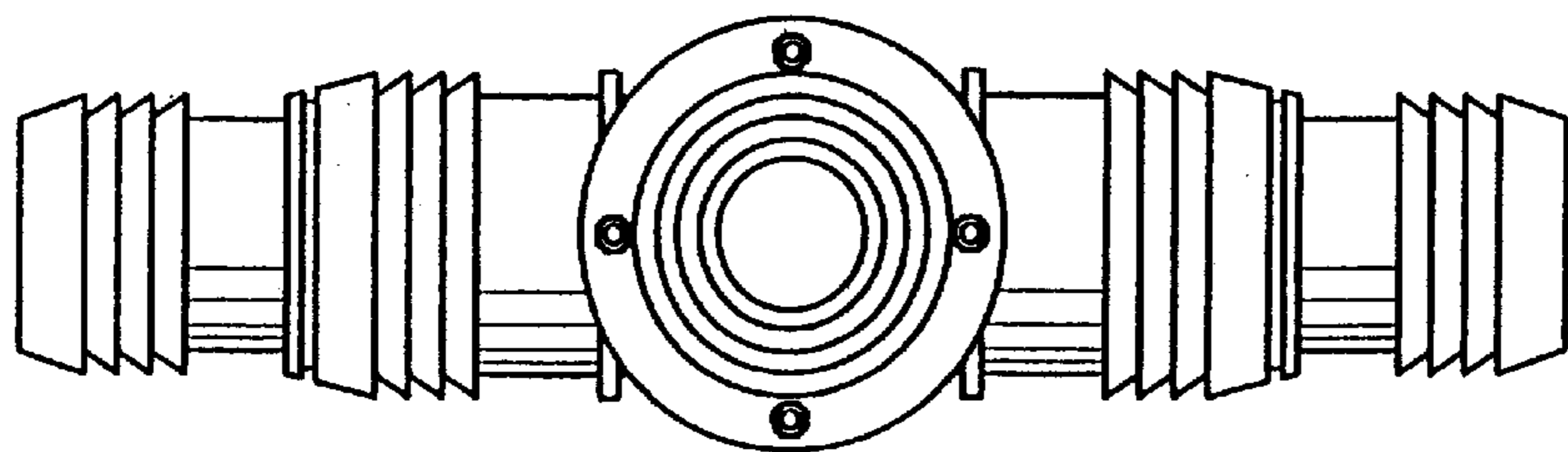


FIG. 6