



US00D441432S

(12) **United States Design Patent**  
**Fleischmann**

(10) **Patent No.:** **US D441,432 S**

(45) **Date of Patent:** **\*\* May 1, 2001**

(54) **SANITARY FAUCET COMPONENT**

(75) **Inventor:** **Klaus Fleischmann, Krefeld (DE)**

(73) **Assignee:** **Hansa Metallwerke AG (DE)**

(\*\*) **Term:** **14 Years**

(21) **Appl. No.:** **29/128,644**

(22) **Filed:** **Aug. 29, 2000**

(30) **Foreign Application Priority Data**

Mar. 2, 2000 (DE) ..... 400 02 468

(51) **LOC (7) Cl.** ..... **23-01**

(52) **U.S. Cl.** ..... **D23/252**

(58) **Field of Search** ..... D23/238-242,  
D23/249-257; D8/300, 310, 350, 352; 16/121

(56) **References Cited**

**U.S. PATENT DOCUMENTS**

- D. 291,233 \* 8/1987 Jans ..... D23/242
- D. 294,631 \* 3/1988 Bourbon ..... D23/241
- D. 299,854 \* 2/1989 Paul ..... D23/252

- D. 311,438 \* 10/1990 Strignnano ..... D23/242
- D. 316,293 \* 4/1991 Ragonot ..... D23/250
- D. 331,099 \* 11/1992 Gottwald ..... D23/254

\* cited by examiner

*Primary Examiner*—Louis S. Zarfaz

*Assistant Examiner*—Gregory Andoll

(74) *Attorney, Agent, or Firm*—Factor & Partners, LLC

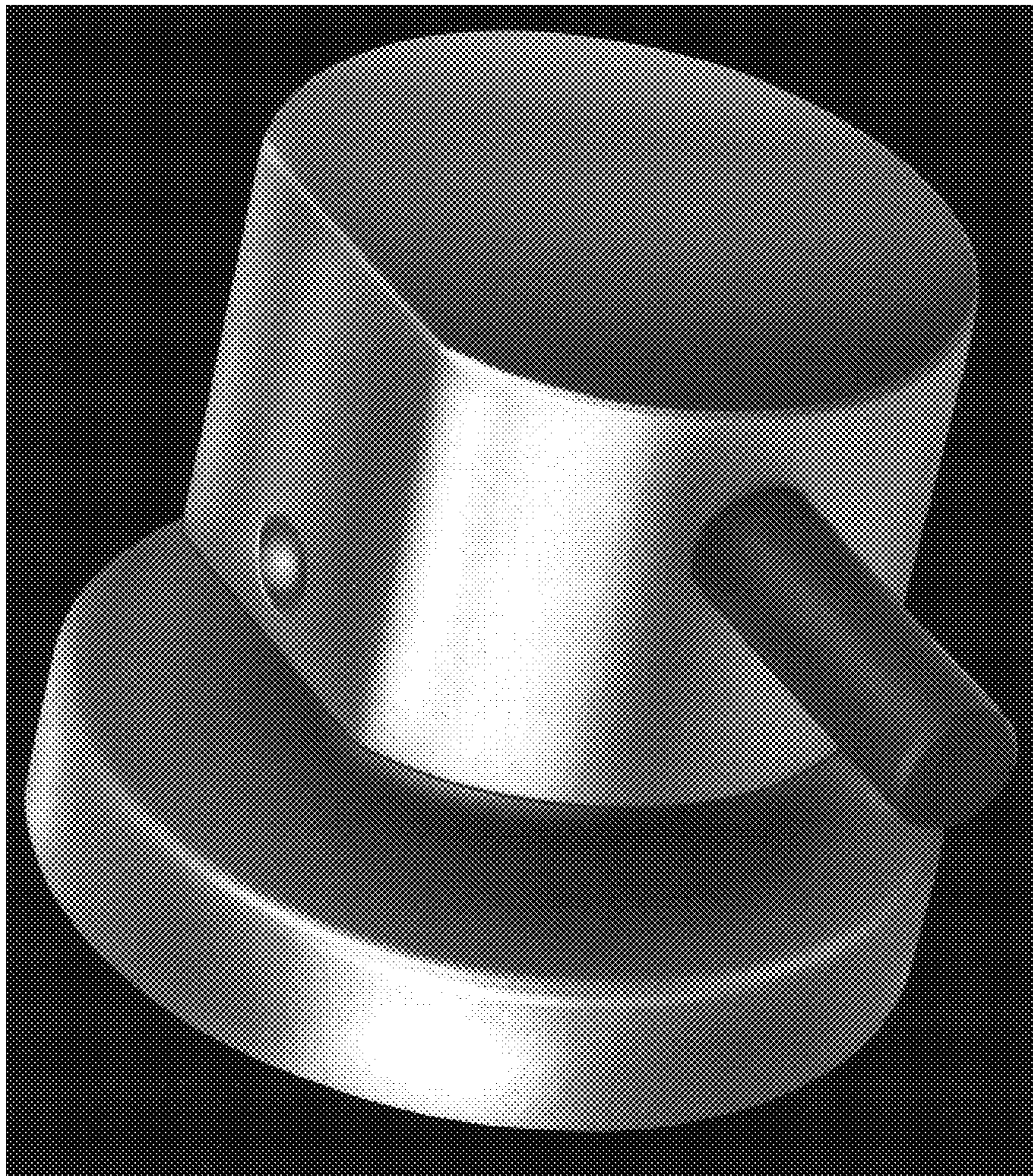
(57) **CLAIM**

The ornamental design for sanitary faucet component, as shown.

**DESCRIPTION**

FIG. 1 is a perspective view of the sanitary faucet component, showing a new ornamental design thereof; FIG. 2 is a left side elevational view thereof; FIG. 3 is a right side elevational view thereof; FIG. 4 is a front elevational view thereof; FIG. 5 is a back elevational view thereof; FIG. 6 is a top plan view thereof; and, FIG. 7 is a bottom plan view thereof.

**1 Claim, 7 Drawing Sheets**



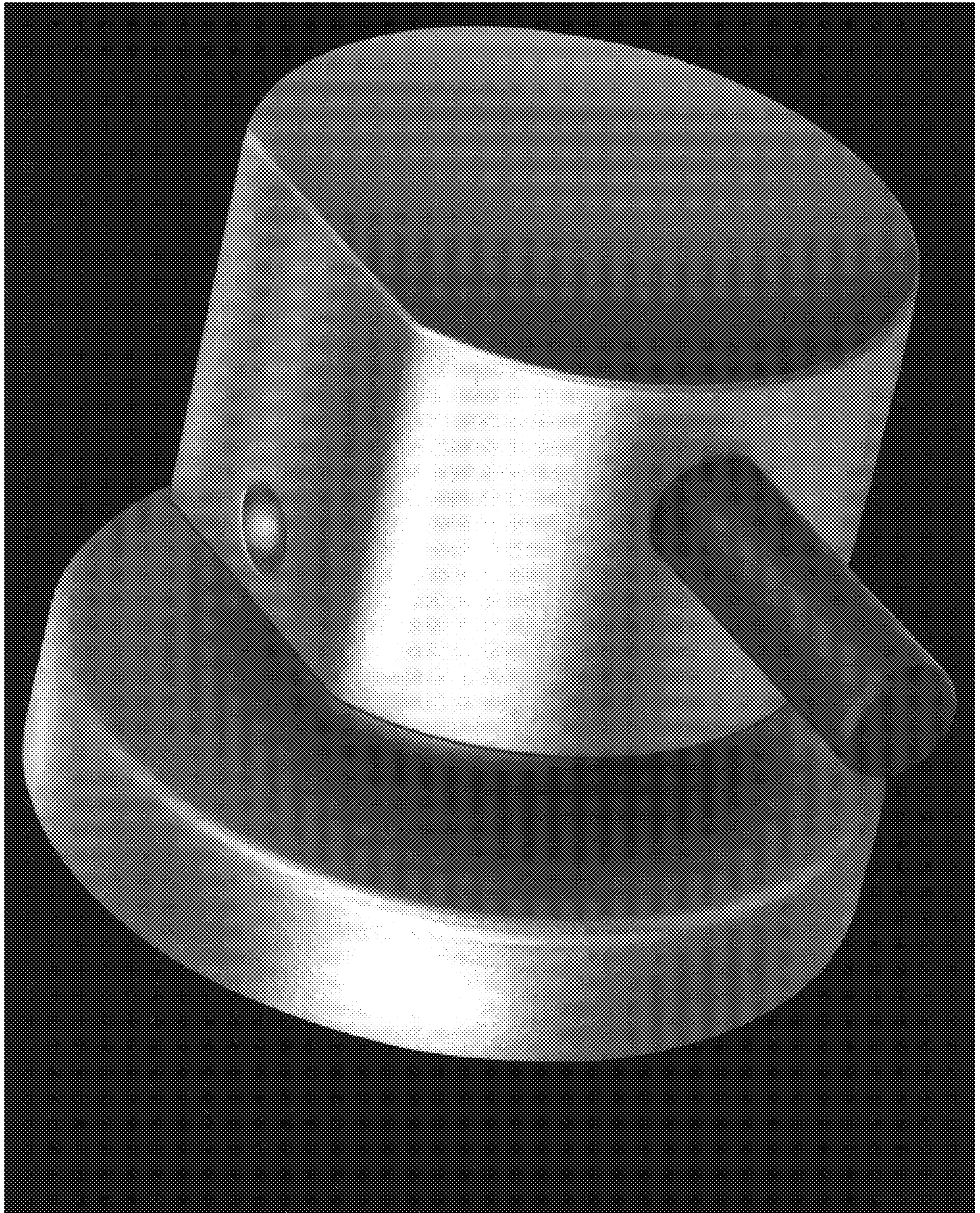


FIG. 1

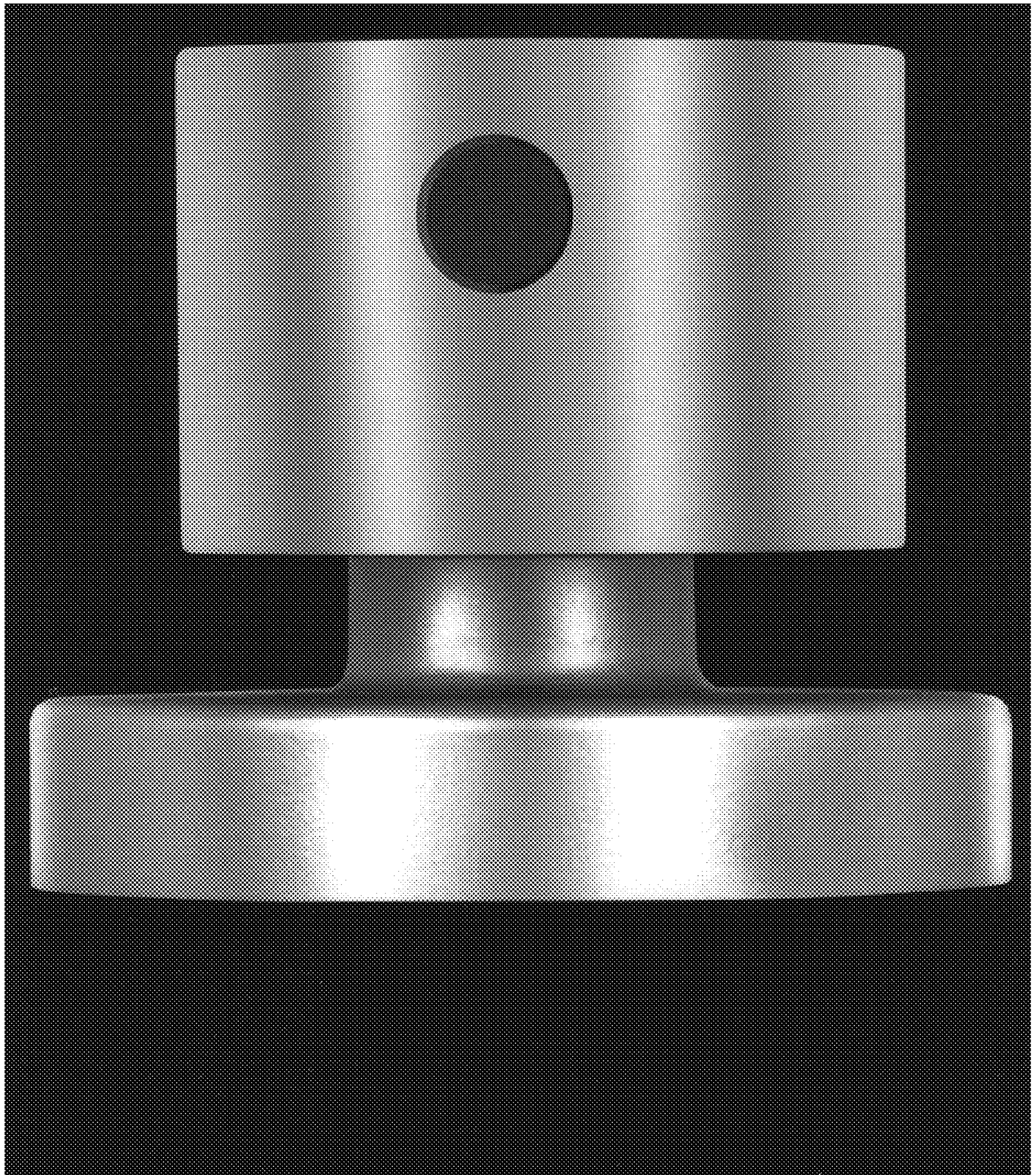


FIG. 2

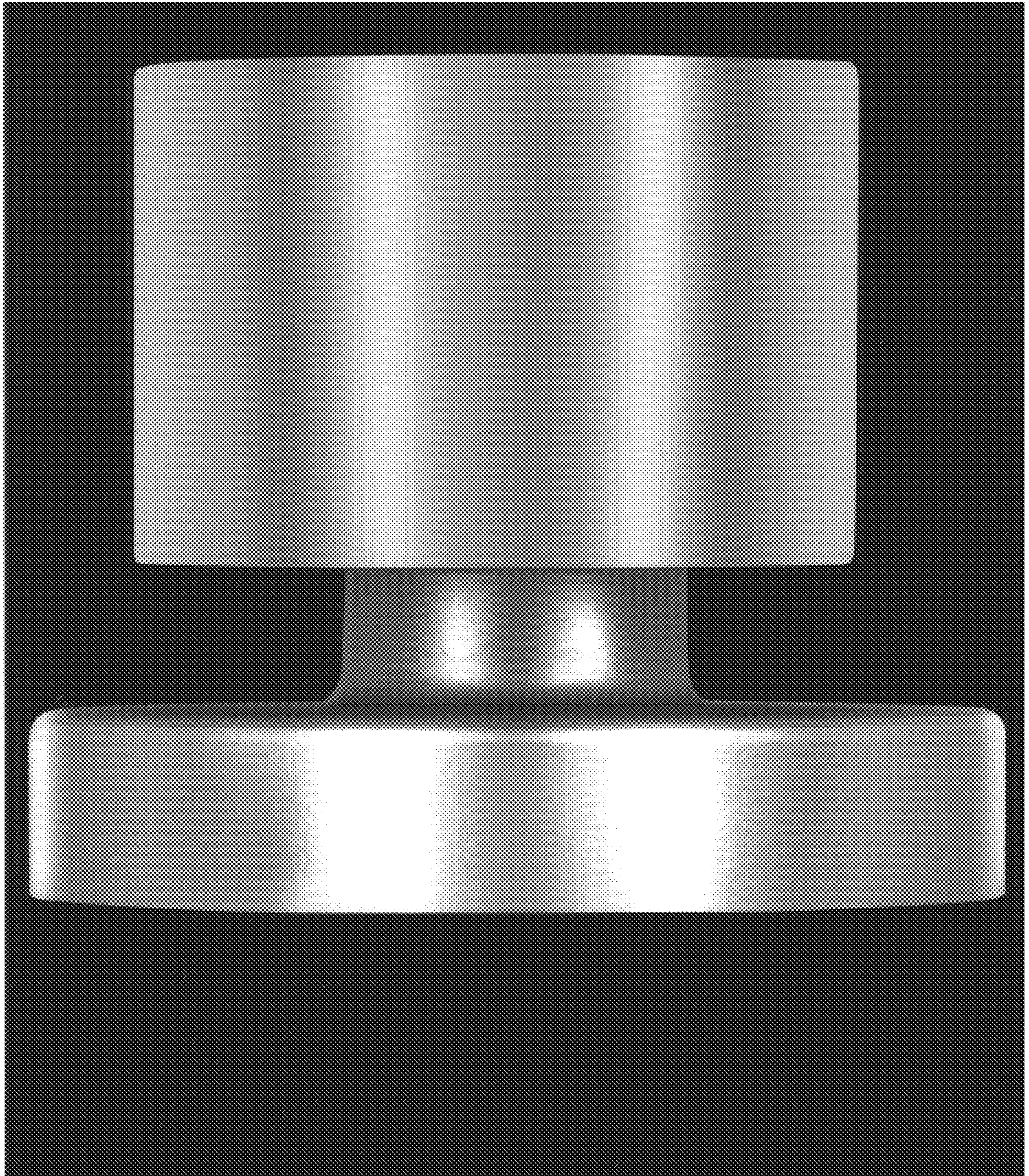


FIG. 3

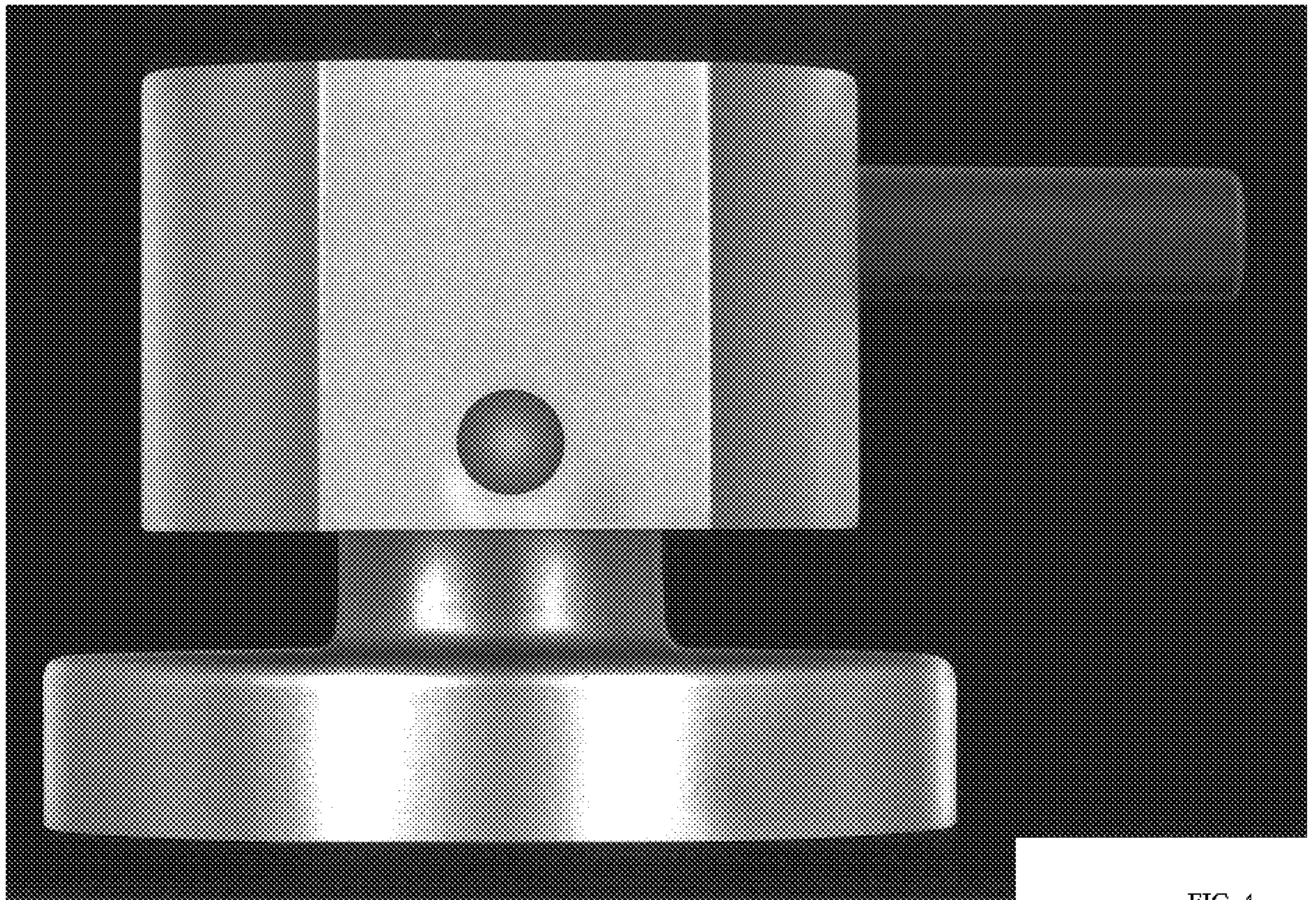


FIG. 4

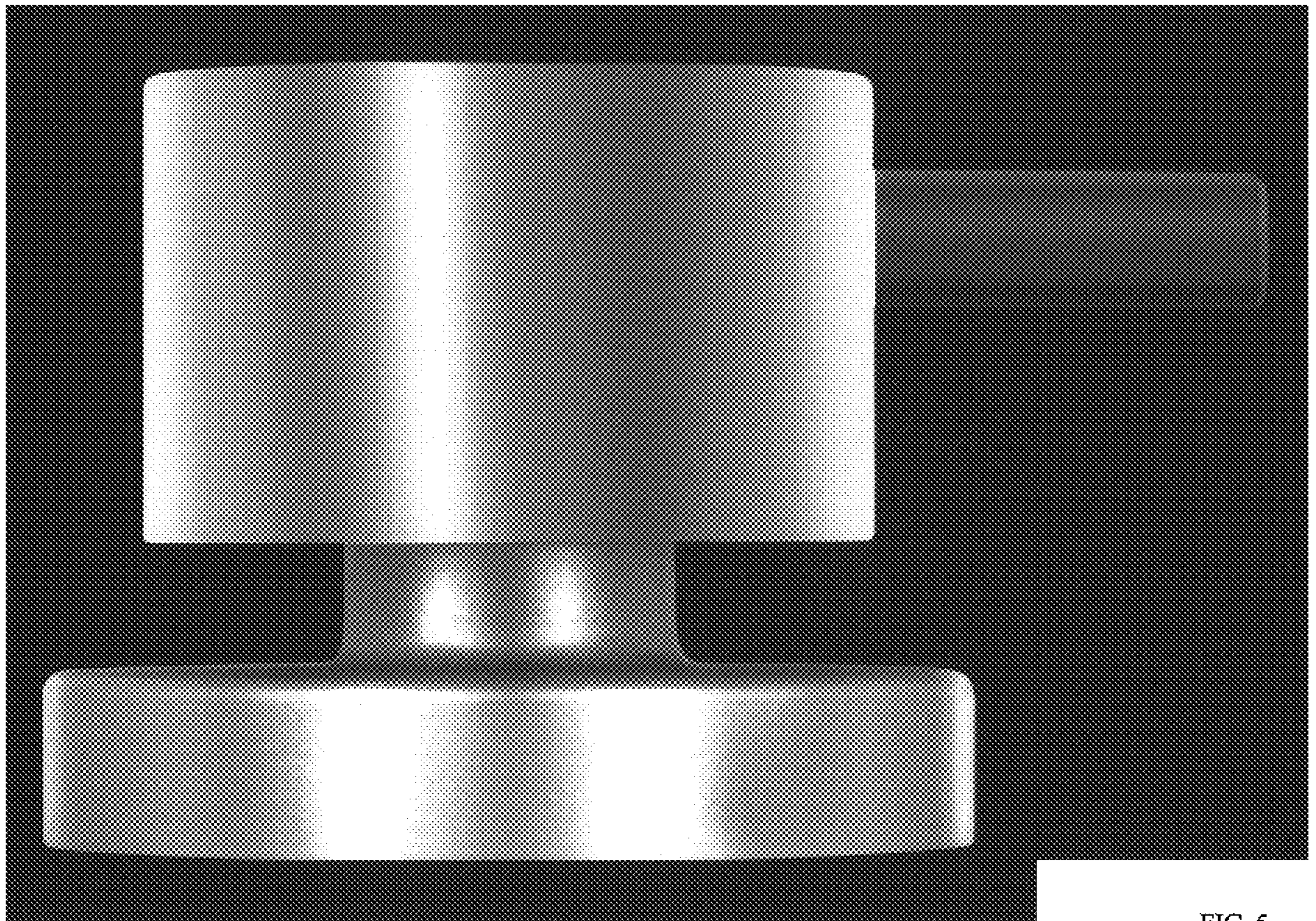


FIG. 5

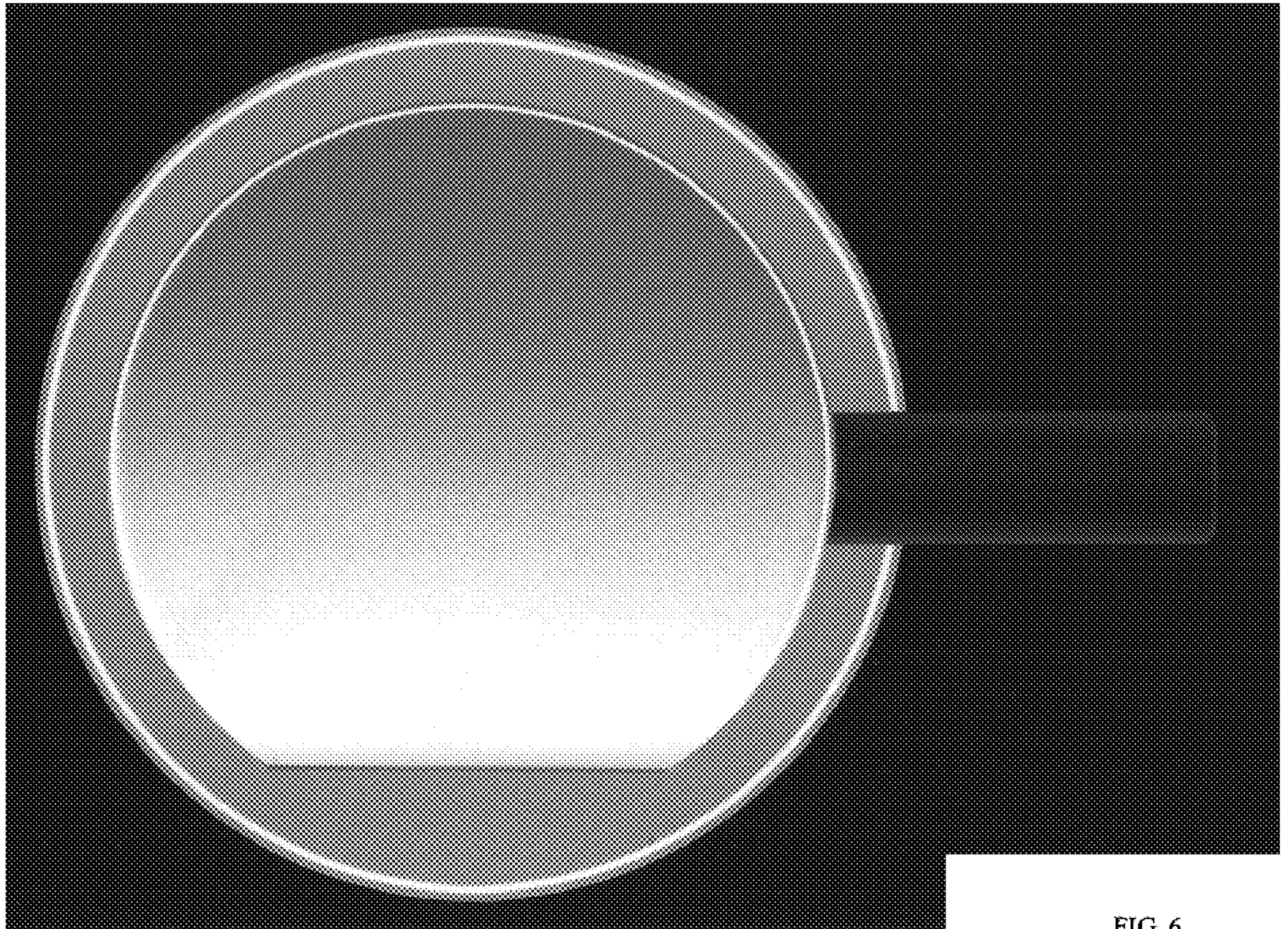


FIG. 6

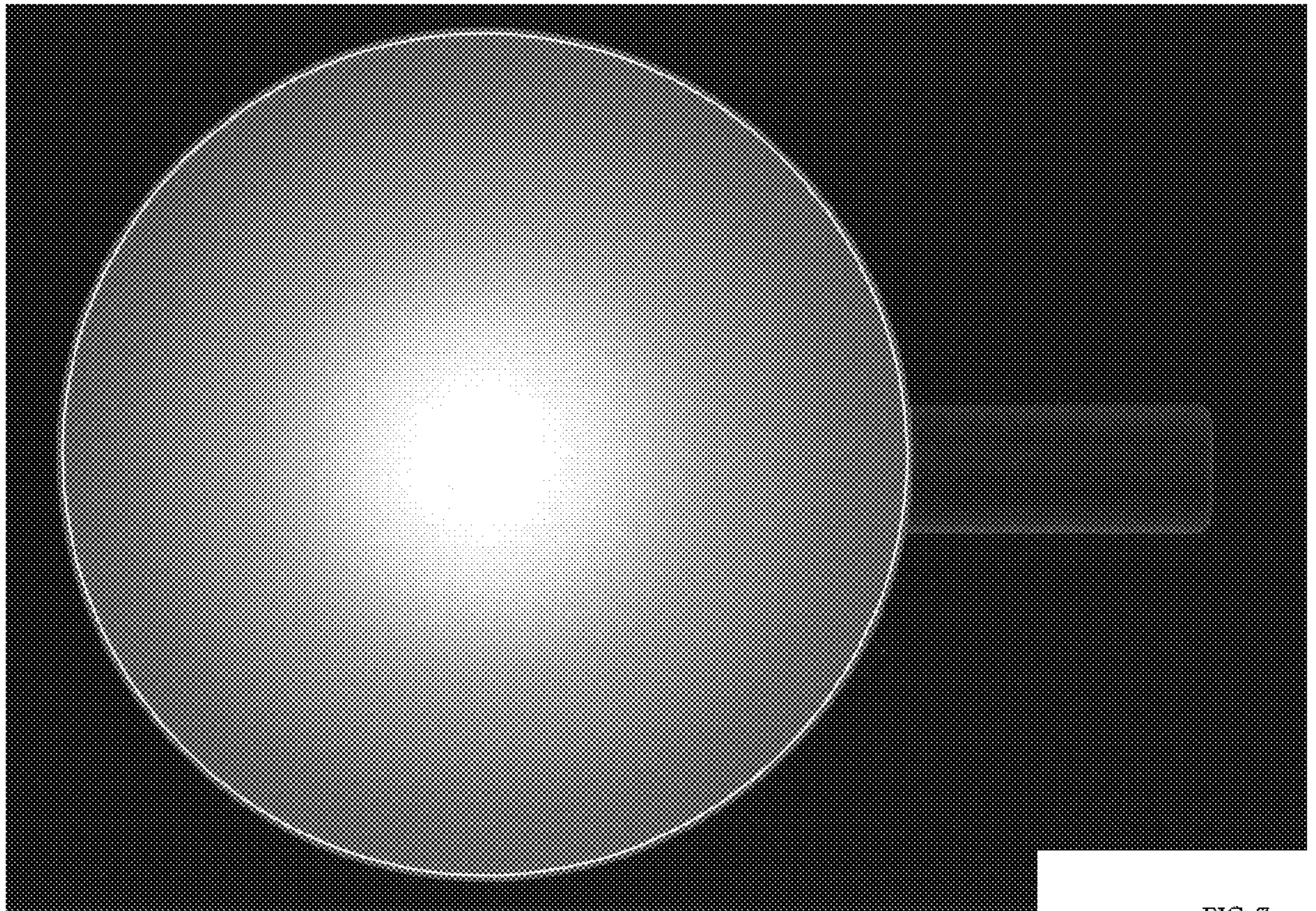


FIG. 7