



US00D441431S

(12) **United States Design Patent**  
**Warshawsky et al.**

(10) **Patent No.:** **US D441,431 S**

(45) **Date of Patent:** **\*\* May 1, 2001**

(54) **BEADED SLIDING VALVE HANDLE**

(75) Inventors: **Jerome Warshawsky**, Hewlett Harbor;  
**Frank Antonello**, Commack, both of  
NY (US)

(73) Assignee: **IW Industries, INC**, Melville, NY  
(US)

(\*\*) Term: **14 Years**

(21) Appl. No.: **29/121,386**

(22) Filed: **Apr. 5, 2000**

(51) **LOC (7) Cl.** ..... **23-01**

(52) **U.S. Cl.** ..... **D23/250; D23/252**

(58) **Field of Search** ..... D23/238-243,  
D23/249, 250-254; D8/803, 321, DIG. 2,  
300, 303, 352, 378, 363; D6/550; 4/657-678;  
16/110 R; 137/801

(56) **References Cited**

**U.S. PATENT DOCUMENTS**

- D. 316,592 \* 4/1991 Jans ..... D23/250
- D. 347,785 \* 6/1994 Warshawsky ..... D8/378
- D. 349,208 \* 8/1994 Bollenbacher ..... D6/550
- D. 355,243 \* 2/1995 Chen ..... D23/238
- D. 382,042 \* 8/1997 Bollenbacher ..... D23/238

- D. 390,397 \* 2/1998 Chen ..... D6/550
- D. 428,474 \* 7/2000 Milrud et al. .... D23/252
- D. 433,106 \* 10/2000 Spangler ..... D23/250

\* cited by examiner

*Primary Examiner*—Louis S. Zarfes

*Assistant Examiner*—Gregory Andoll

(74) *Attorney, Agent, or Firm*—Alfred M. Walker

(57) **CLAIM**

The ornamental design for a beaded sliding valve handle, as shown and described.

**DESCRIPTION**

FIG. 1 is a perspective view of a beaded sliding valve handle, showing my new design in an upright closed position;

FIG. 2 is a rear elevational view thereof;

FIG. 3 is a front elevational view thereof;

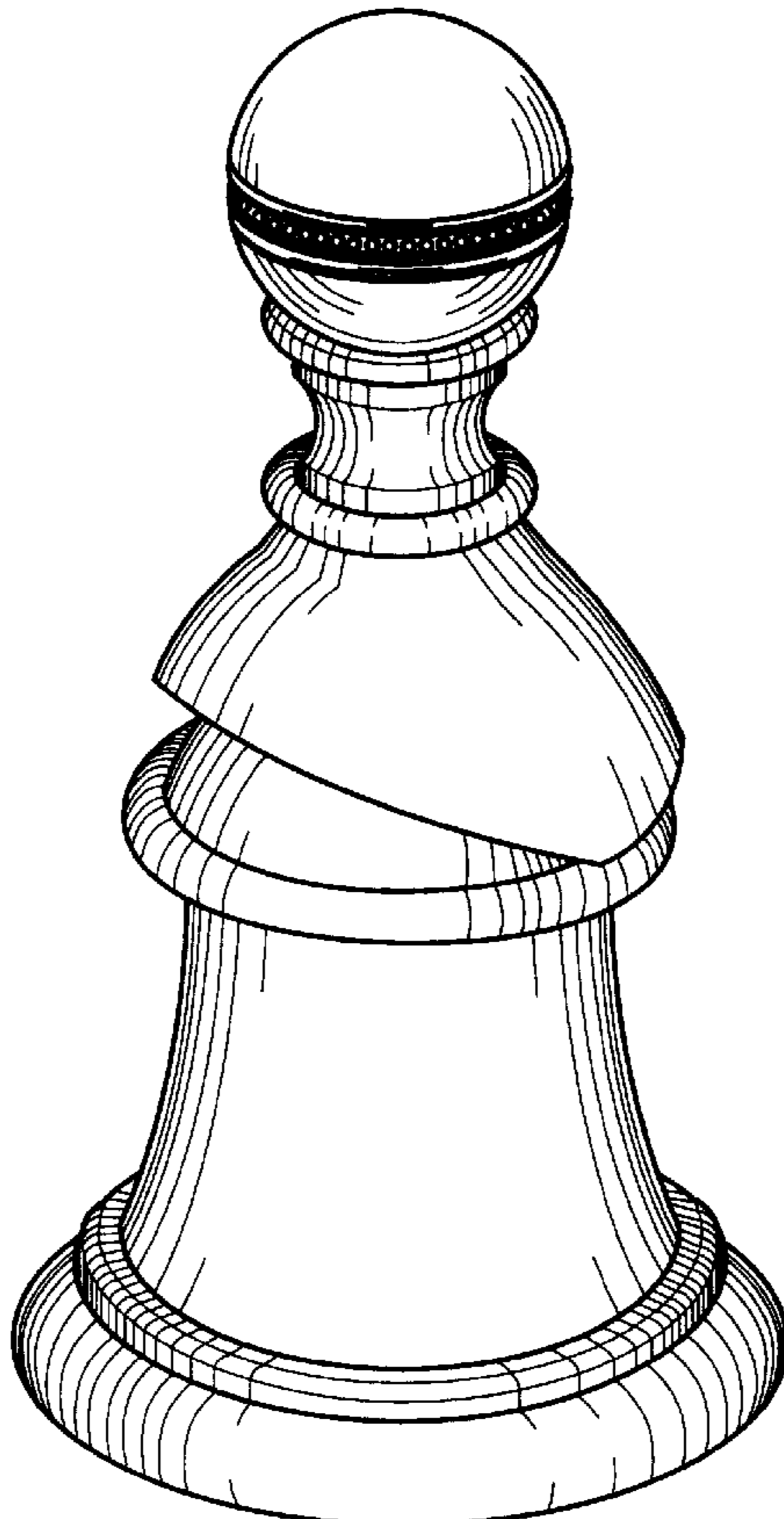
FIG. 4 is a left side elevational view thereof, the right side being a mirror image thereof;

FIG. 5 is a left side elevational view thereof, shown in a tilted open position;

FIG. 6 is a top plan view, shown in an upright closed position; and,

FIG. 7 is a bottom view thereof.

**1 Claim, 4 Drawing Sheets**



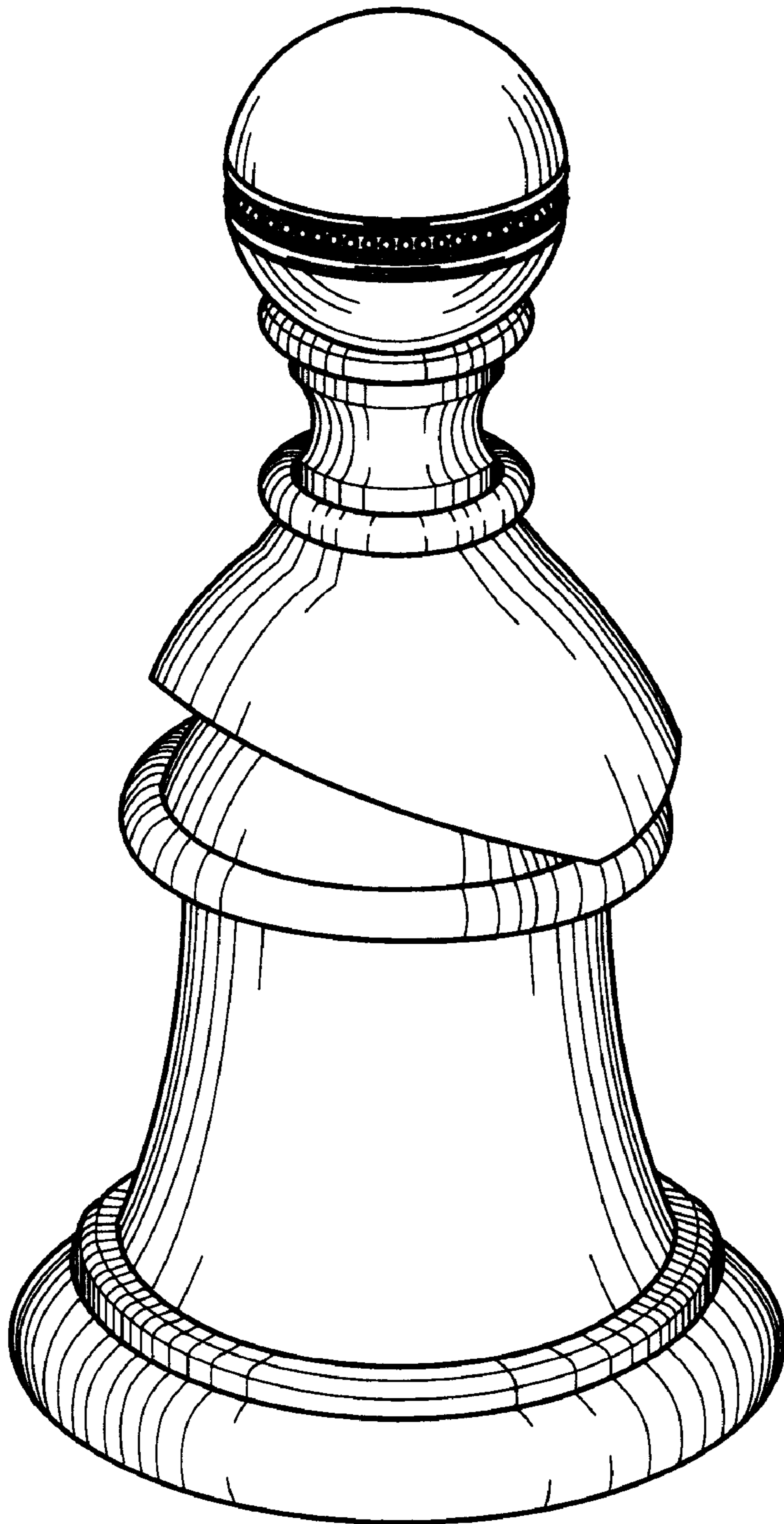


FIG. 1

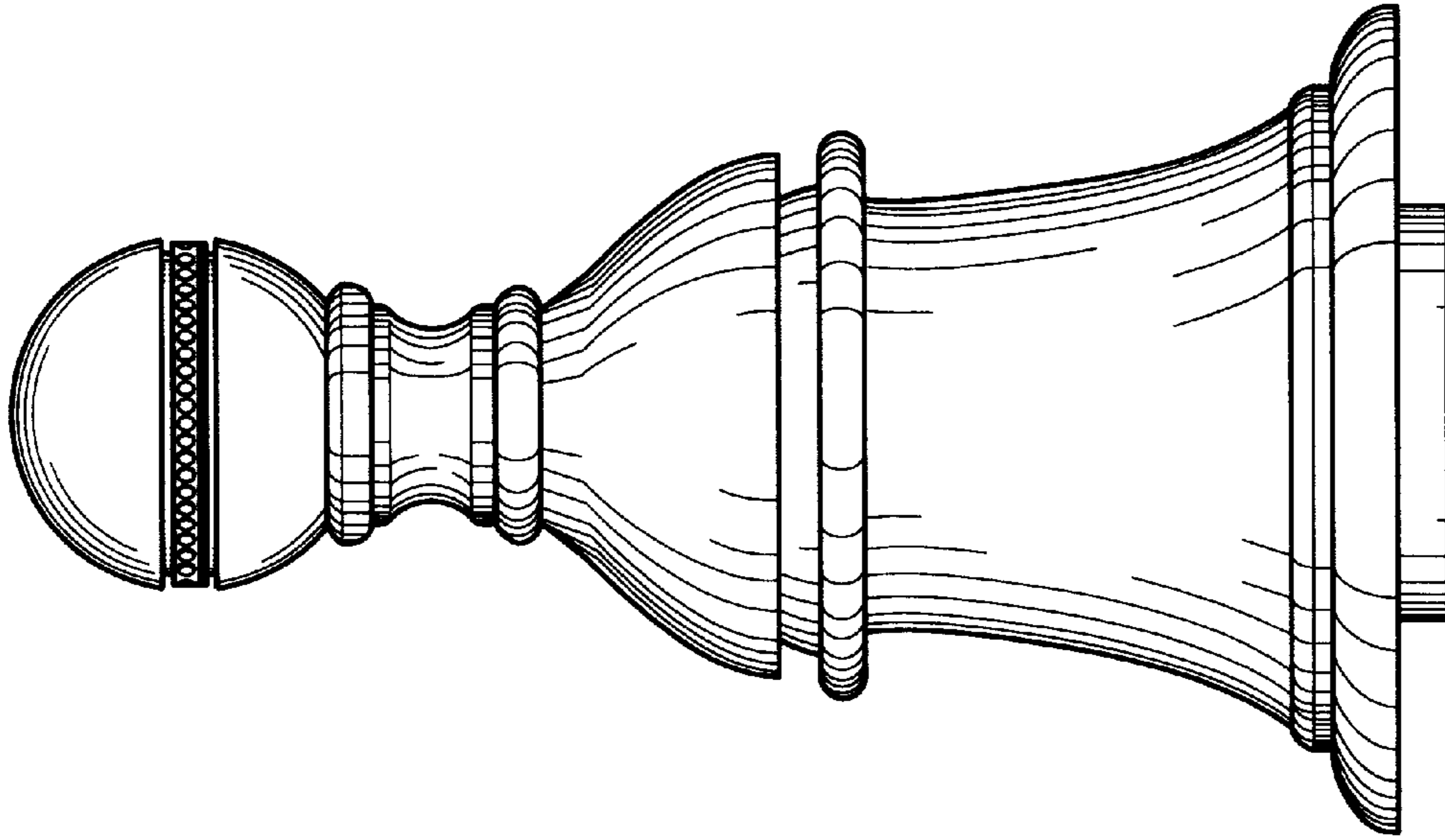


FIG. 3

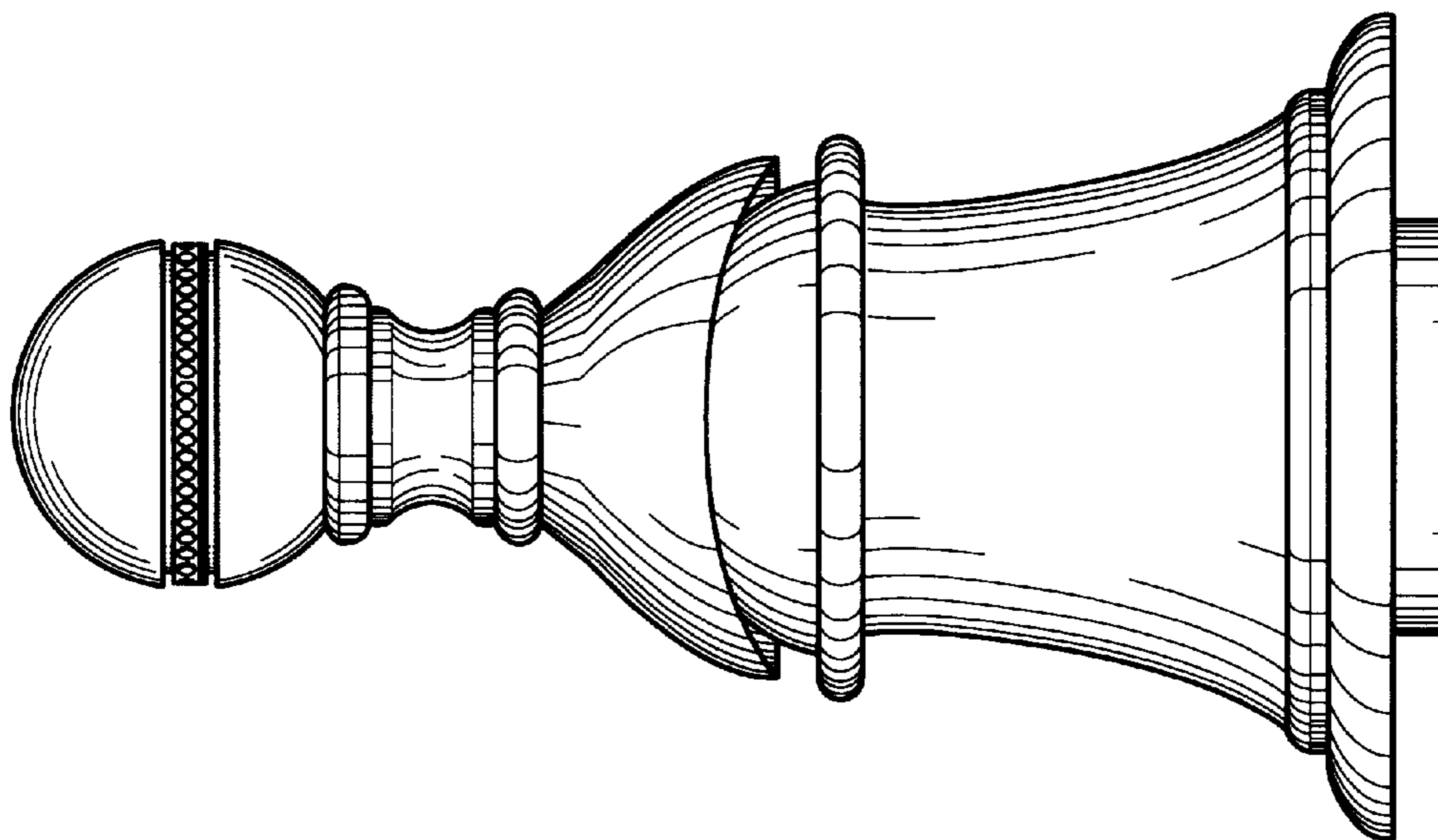


FIG. 2

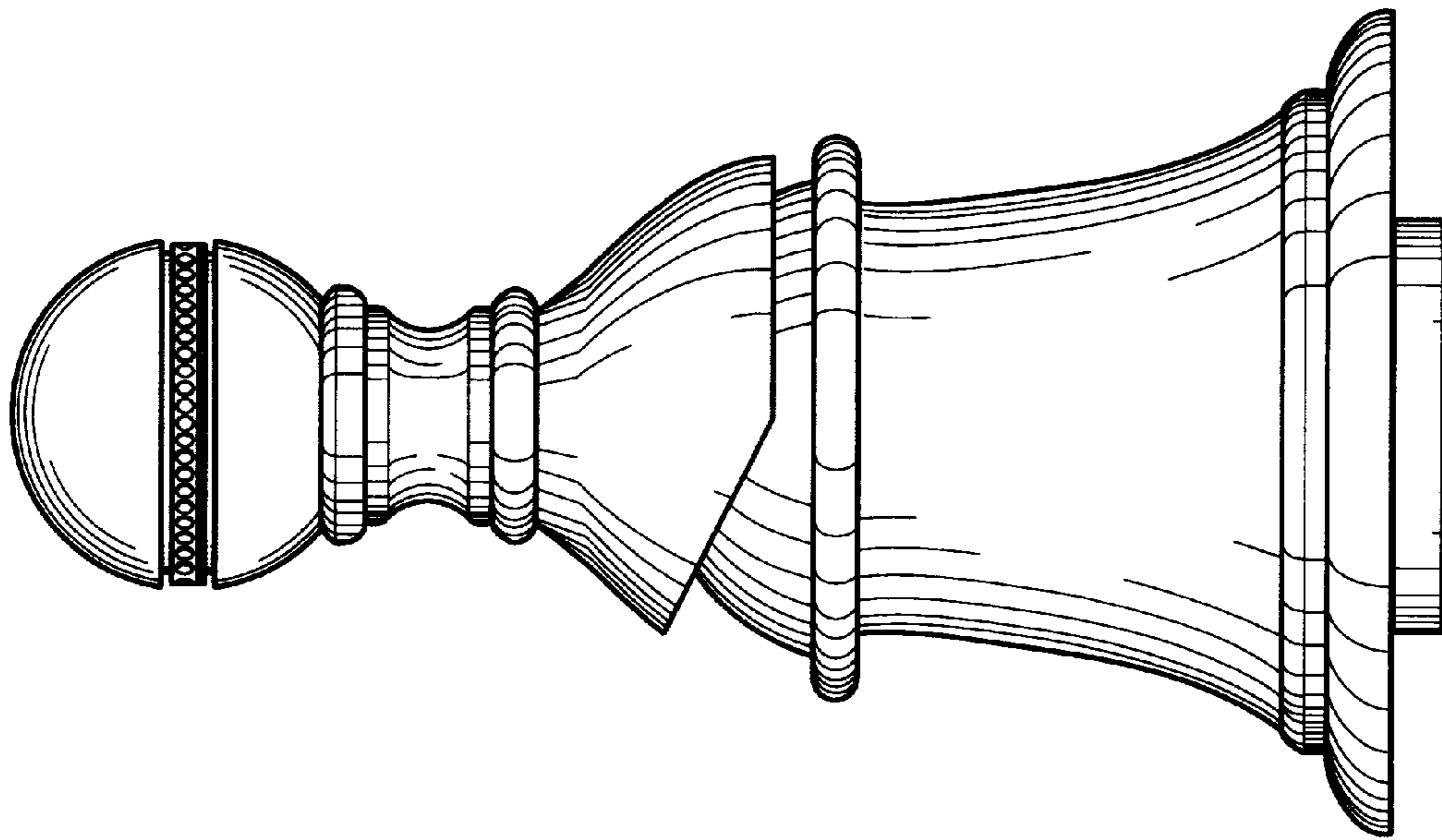


FIG. 4

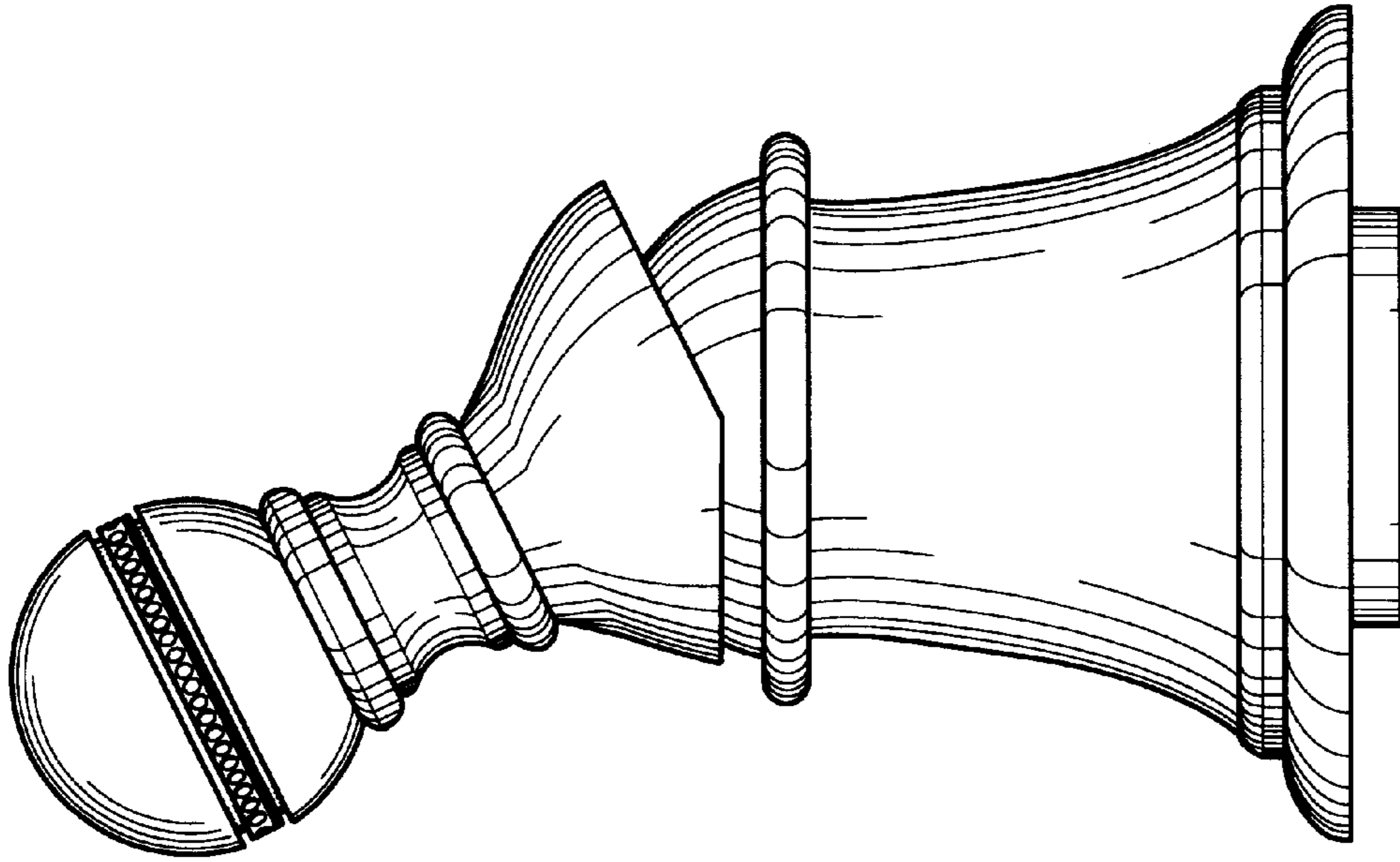


FIG. 5

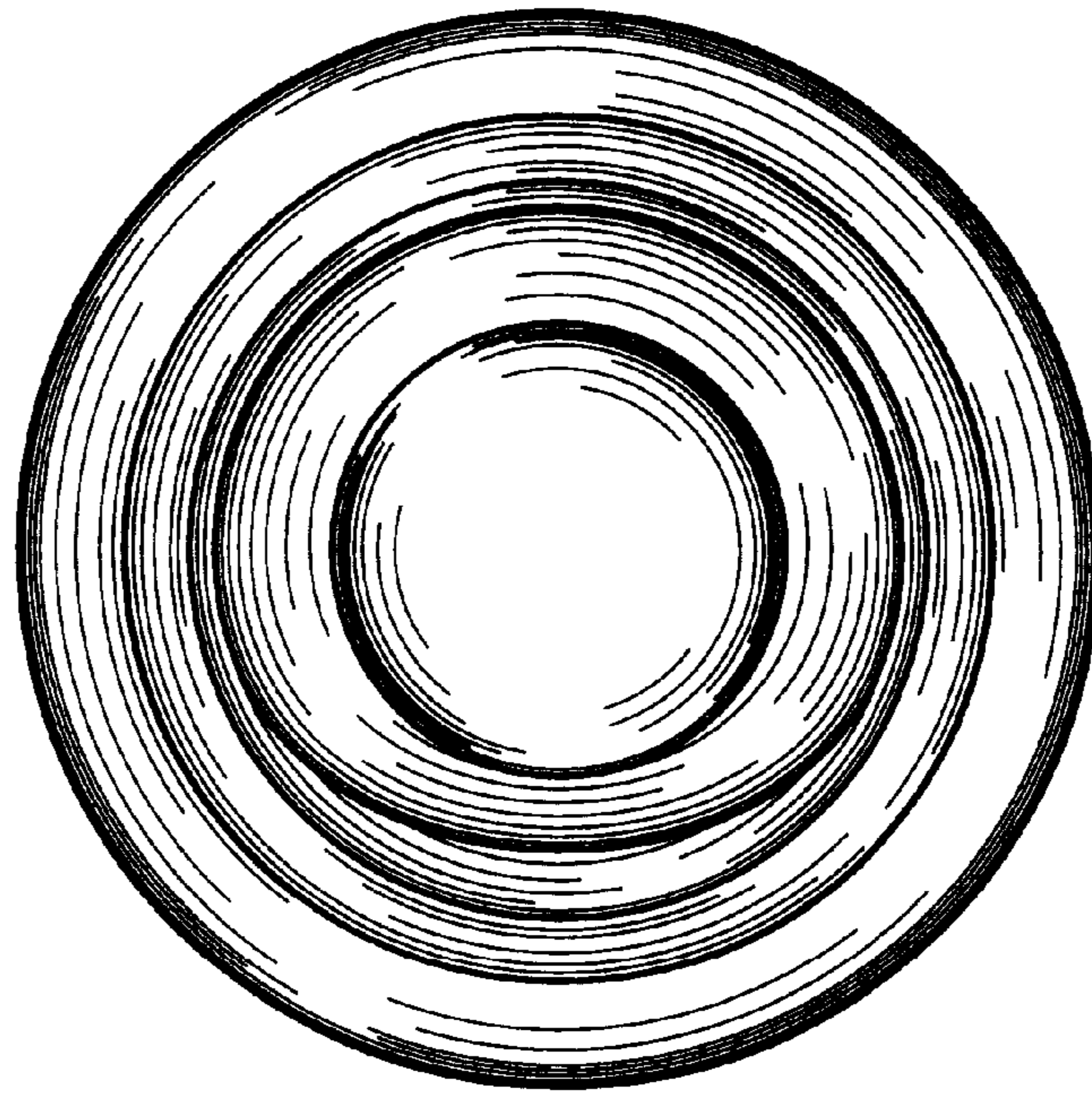


FIG. 6

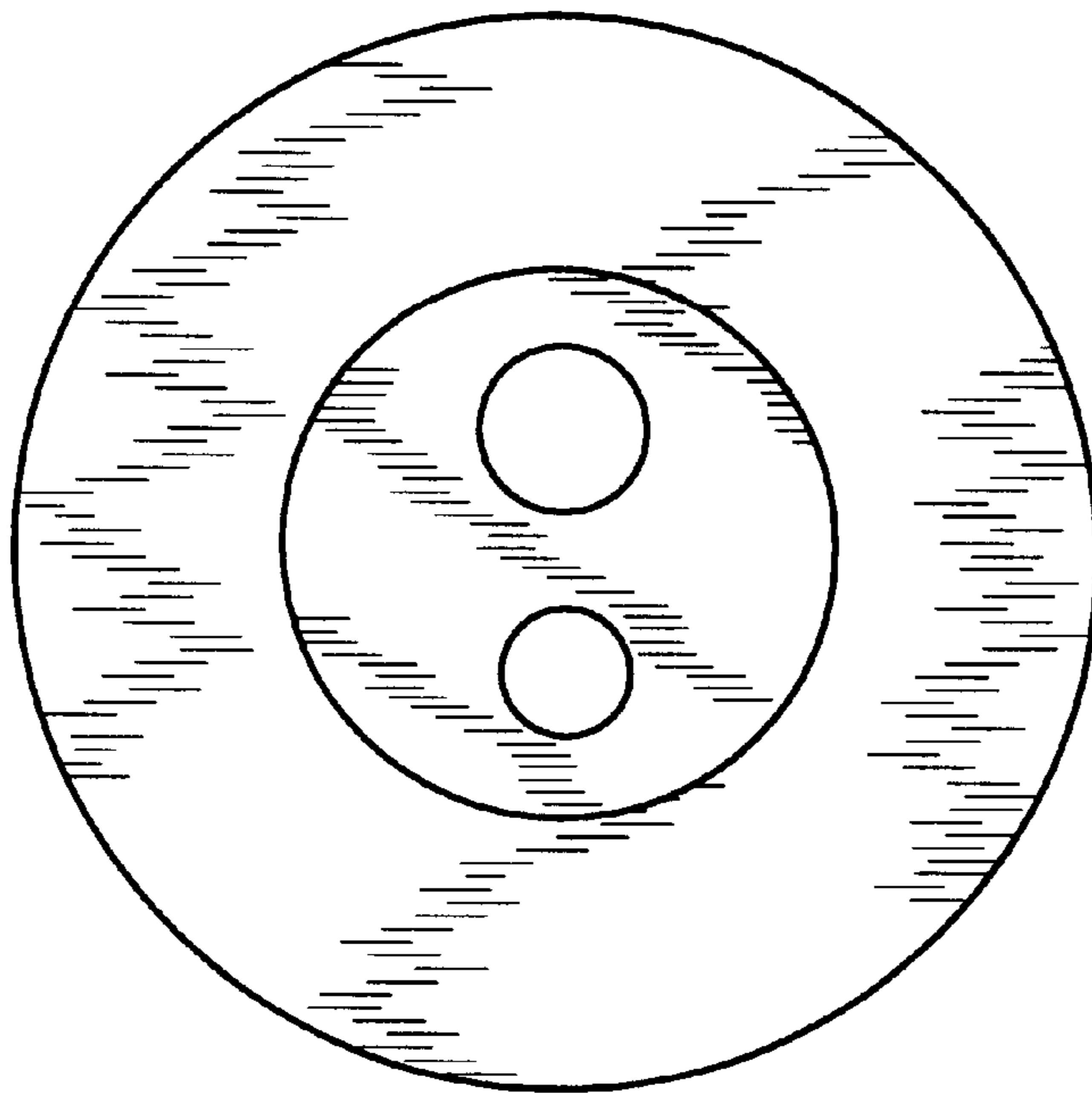


FIG. 7