



US00D441430S

(12) **United States Design Patent**
Dretzka

(10) **Patent No.:** **US D441,430 S**

(45) **Date of Patent:** **** May 1, 2001**

(54) **BAR FAUCET**

(75) **Inventor:** **Lizabeth Dretzka**, Cleveland Heights, OH (US)

(73) **Assignee:** **Moen Incorporated**, North Olmsted, OH (US)

(**) **Term:** **14 Years**

(21) **Appl. No.:** **29/128,336**

(22) **Filed:** **Aug. 24, 2000**

(51) **LOC (7) Cl.** **23-01**

(52) **U.S. Cl.** **D23/241**

(58) **Field of Search** D23/238-243,
D23/250-257; 4/675-678; 137/801

(56) **References Cited**

U.S. PATENT DOCUMENTS

D. 87,328	7/1932	Brotz .
D. 200,622	3/1965	Whitener, Jr. .
D. 276,259	11/1984	Miller .
D. 280,008	8/1985	Miller et al. .
D. 280,010	8/1985	Miller et al. .
D. 285,106	8/1986	Yost .
D. 286,561	11/1986	Yost .
D. 287,747	1/1987	Miller et al. .
D. 288,835	3/1987	Yost .
D. 288,837	3/1987	Yost .
D. 295,551	5/1988	Yost .
D. 296,461	6/1988	Yost .
D. 312,495	11/1990	Joerger .
D. 314,813	2/1991	Jans .
D. 318,906	8/1991	Spangler .
D. 320,645	10/1991	Knapp et al. .
D. 321,750	11/1991	Spangler .
D. 325,772	4/1992	Carr .
D. 327,529	6/1992	Dannenberg .
D. 327,532	6/1992	Ko .
D. 327,944	7/1992	Stairs, Jr. et al. .
D. 328,782	8/1992	Paterson et al. .
D. 329,083	9/1992	Dannenberg .
D. 331,275	11/1992	Knapp .

D. 337,812	7/1993	Bray .
D. 346,012	4/1994	McKeone et al. .
D. 349,155	7/1994	McKeone et al. .
D. 350,390	9/1994	Bollenbacher .
D. 352,095	11/1994	Bollenbacher .
D. 363,974	11/1995	Doughty et al. .
D. 363,975	11/1995	Doughty et al. .
D. 364,215	11/1995	Starck .
D. 366,517	1/1996	Doughty et al. .
D. 368,302	3/1996	Doughty et al. .
D. 372,300	7/1996	Fabian .
D. 373,179	* 8/1996	Sieger D23/241
D. 373,617	9/1996	Doughty et al. .
D. 374,478	10/1996	Doughty et al. .
D. 374,706	10/1996	Doughty et al. .
D. 374,707	10/1996	Doughty et al. .
D. 375,142	10/1996	Doughty et al. .
D. 375,144	10/1996	Doughty et al. .
D. 375,147	10/1996	Doughty et al. .
D. 376,413	12/1996	Kergoet .
D. 377,516	1/1997	Doughty et al. .
D. 377,517	1/1997	Doughty et al. .
D. 378,230	2/1997	Doughty et al. .

(List continued on next page.)

Primary Examiner—Louis S. Zarfaz
Assistant Examiner—Gregory Andoll
(74) *Attorney, Agent, or Firm*—Cook, Alex, McFarron, Manzo, Cummings & Mehler, Ltd.

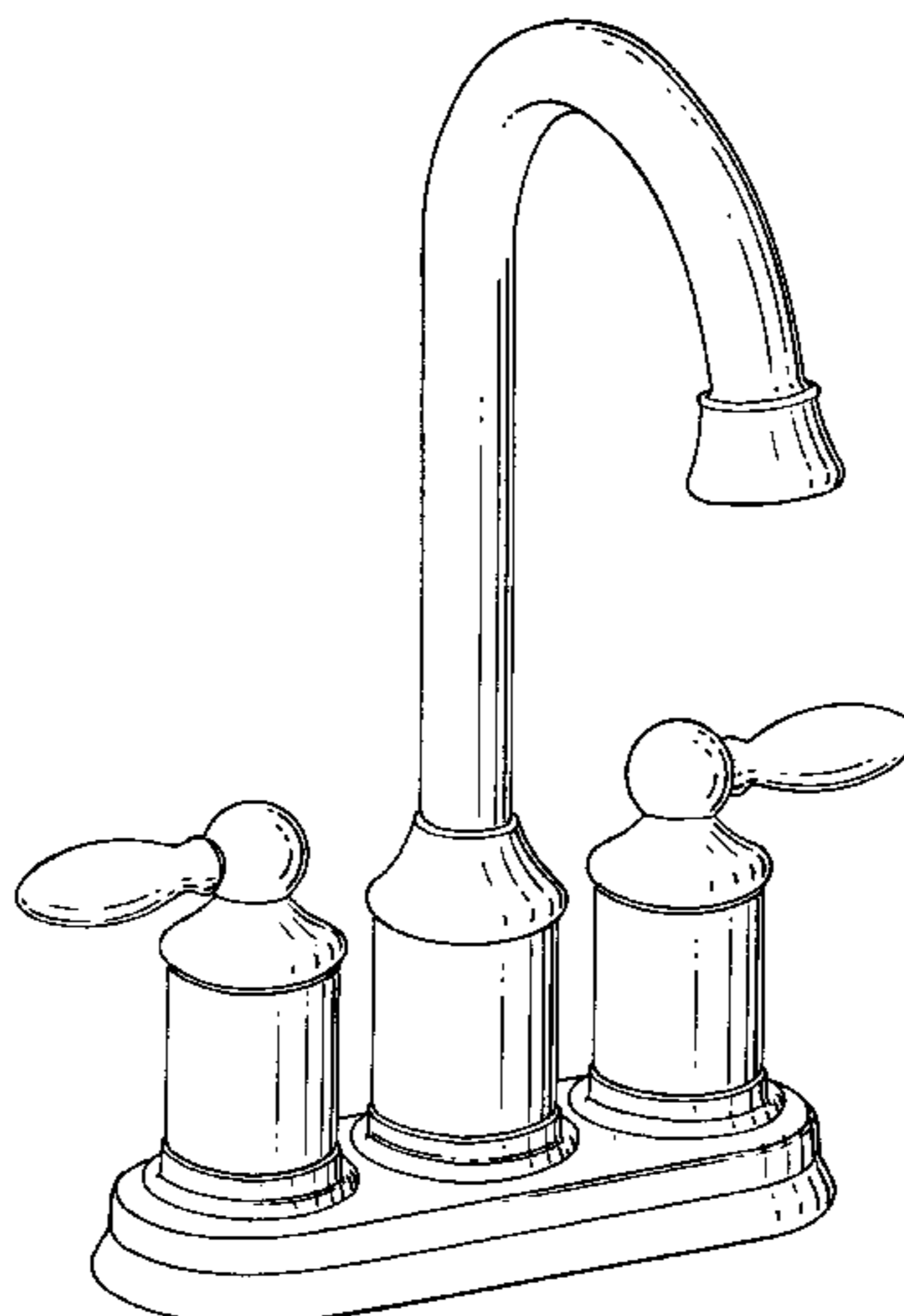
(57) **CLAIM**

The ornamental design for a bar faucet, as shown and described.

DESCRIPTION

FIG. 1 is a perspective view of my new design for a bar faucet;
FIG. 2 is a left side view thereof, the right side being the same as the left side;
FIG. 3 is a front view thereof;
FIG. 4 is a top view thereof;
FIG. 5 is a rear view thereof; and,
FIG. 6 is a bottom view thereof.

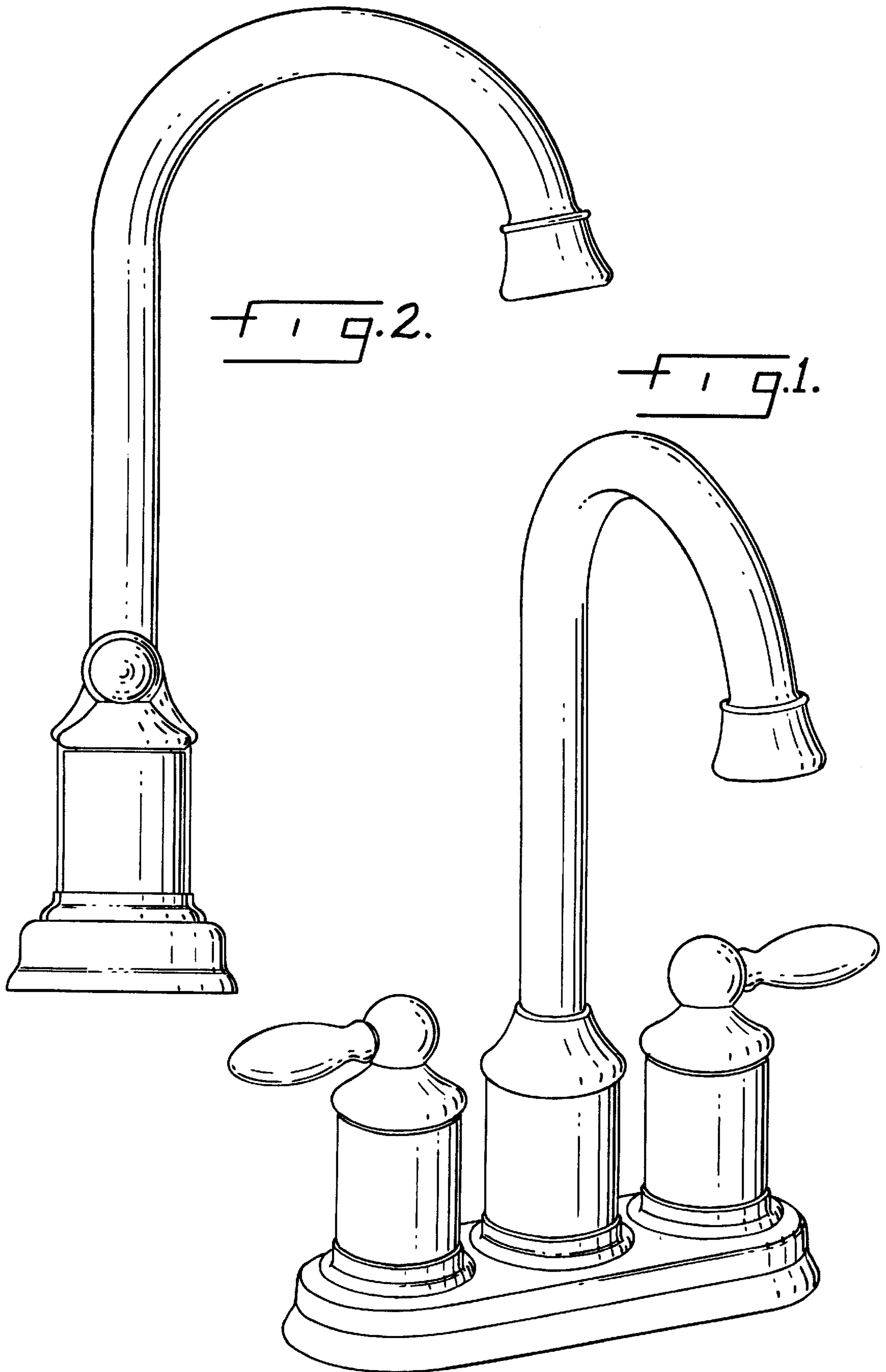
1 Claim, 3 Drawing Sheets



U.S. PATENT DOCUMENTS

D. 381,400	7/1997	Doughty et al. .	D. 406,323	3/1999	Snyder .
D. 381,401	7/1997	Doughty et al. .	D. 406,876	3/1999	Ko .
D. 381,404	7/1997	Doughty et al. .	D. 407,143	3/1999	Hyde et al. .
D. 382,330	8/1997	Doughty et al. .	D. 407,466	3/1999	Hundley et al. .
D. 384,130	9/1997	Doughty et al. .	D. 409,288	5/1999	Hyde .
D. 384,131	9/1997	Doughty et al. .	D. 409,292	5/1999	Hyde et al. .
D. 384,132	9/1997	Doughty et al. .	D. 412,560	8/1999	Kuo .
D. 384,400	9/1997	Doughty et al. .	D. 418,202	12/1999	Warshawsky et al. .
D. 384,401	9/1997	Doughty et al. .	D. 418,578	1/2000	Warshawsky et al. .
D. 384,402	9/1997	Doughty et al. .	D. 418,580	1/2000	Warshawsky et al. .
D. 387,130	12/1997	Warshawsky .	D. 418,581	1/2000	Warshawsky et al. .
D. 394,699	5/1998	Doughty et al. .	D. 419,220	1/2000	Warshawsky et al. .
D. 404,470	1/1999	Pitsch et al. .	D. 420,102	2/2000	Warshawsky et al. .
D. 404,802	1/1999	Delker .			

* cited by examiner



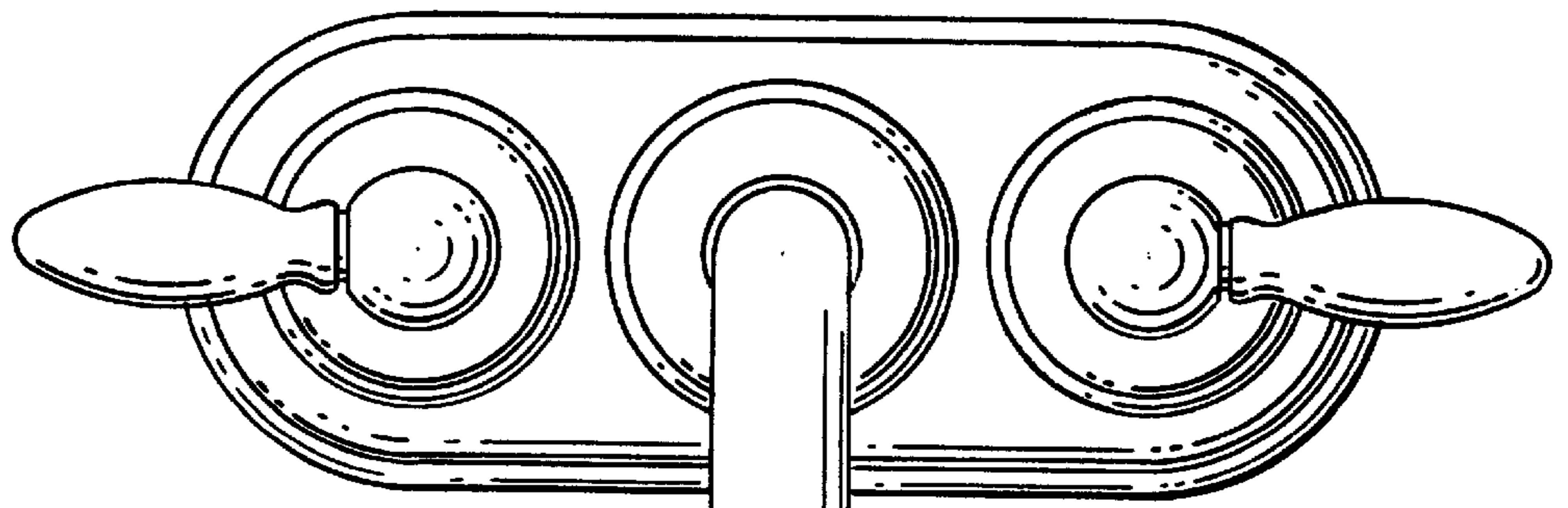


FIG. 4.

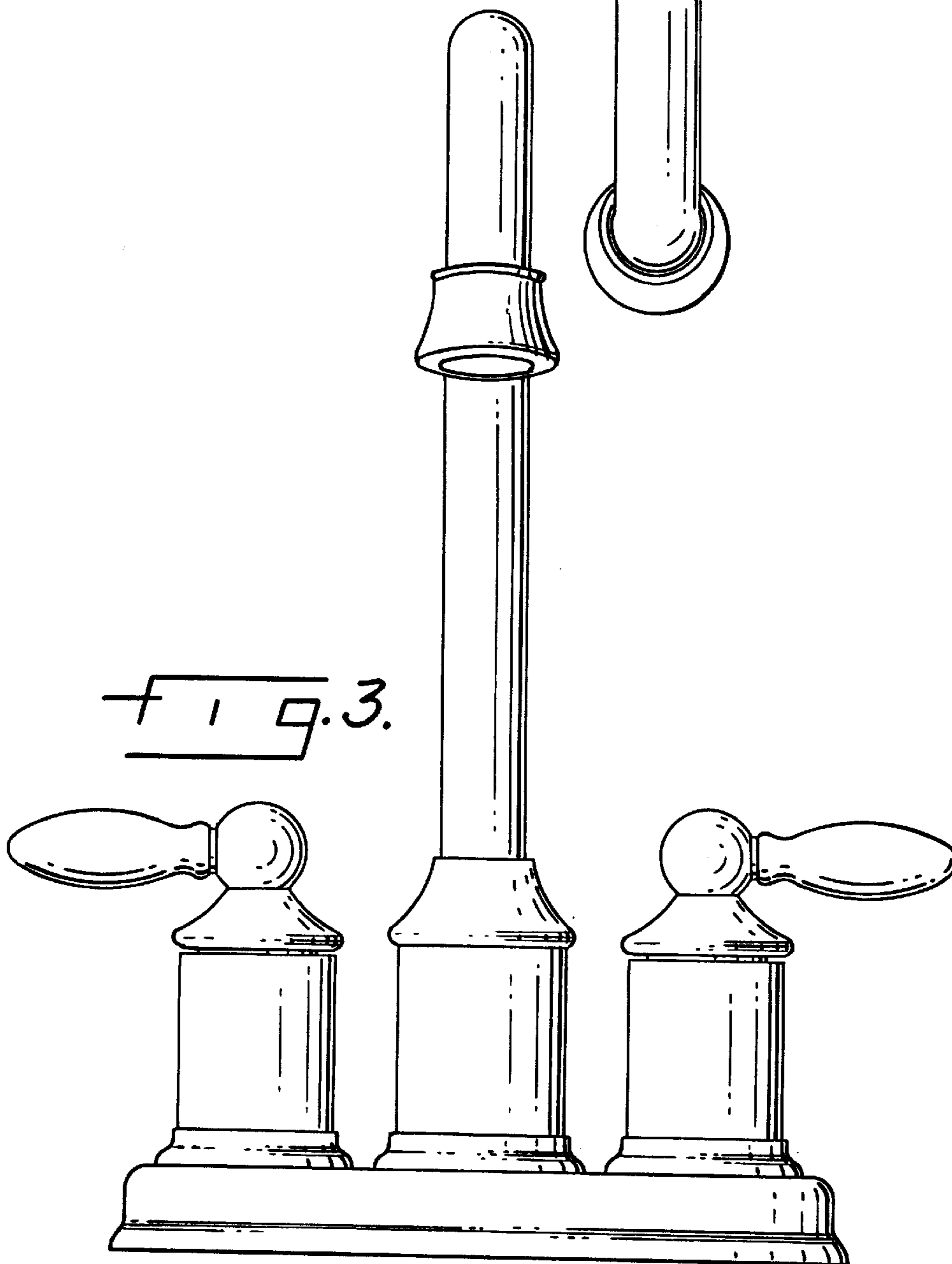


FIG. 3.

