



US00D441429S

(12) **United States Design Patent**
Müllenmeister

(10) **Patent No.:** **US D441,429 S**

(45) **Date of Patent:** **** May 1, 2001**

(54) **SINK FAUCET**

(75) **Inventor:** **Daniel Müllenmeister**, Havixbeck (DE)

(73) **Assignee:** **Friedrich Grohe AG & Co. KG**,
Hemer (DE)

(**) **Term:** **14 Years**

(21) **Appl. No.:** **29/132,785**

(22) **Filed:** **Nov. 15, 2000**

(30) **Foreign Application Priority Data**

Jun. 22, 2000 (DE) 4 00 05 887

(51) **LOC (7) Cl.** **23-01**

(52) **U.S. Cl.** **D23/238**

(58) **Field of Search** D23/238-243,
D23/250-257; 4/675-678; 137/801

(56) **References Cited**

U.S. PATENT DOCUMENTS

D. 403,745 * 1/1999 Lobermeier D23/238

D. 410,067 * 5/1999 Gottwald D23/238

D. 410,277 * 5/1999 Lobermeier D23/238

D. 410,526 * 6/1999 Lobermeier D23/238

* cited by examiner

Primary Examiner—Louis S. Zarfes

Assistant Examiner—Gregory Andoll

(74) *Attorney, Agent, or Firm*—Herbert Dubno

(57) **CLAIM**

The ornamental design for a sink faucet, as shown and described.

DESCRIPTION

FIG. 1 is a top, front, left-side perspective view of a sink faucet showing my new design;

FIG. 2 is a left side elevational view thereof;

FIG. 3 is a front elevational view thereof;

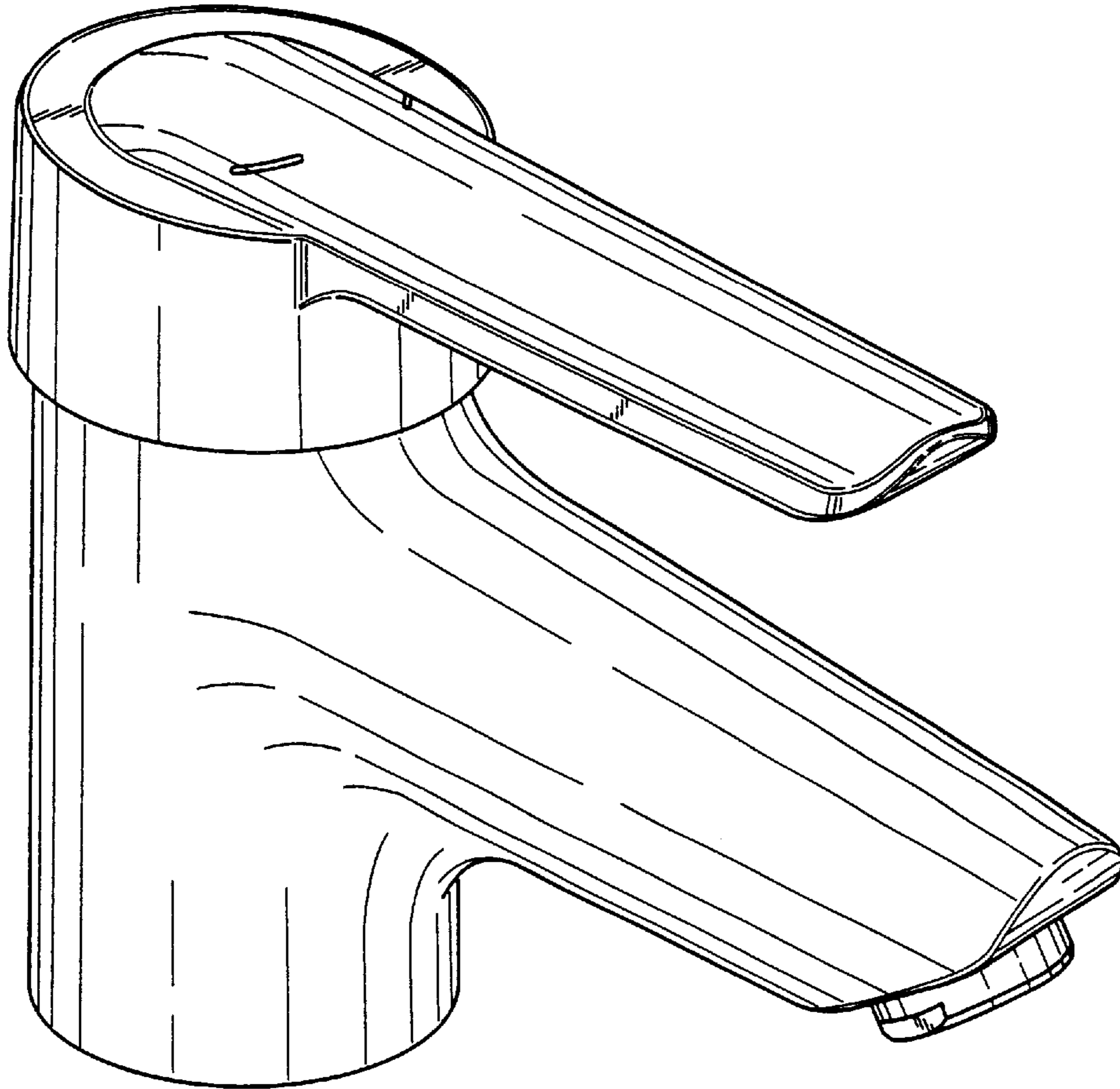
FIG. 4 is a right side elevational view thereof;

FIG. 5 is a rear elevational view thereof;

FIG. 6 is a bottom plan view thereof; and,

FIG. 7 is a top plan view thereof.

1 Claim, 4 Drawing Sheets



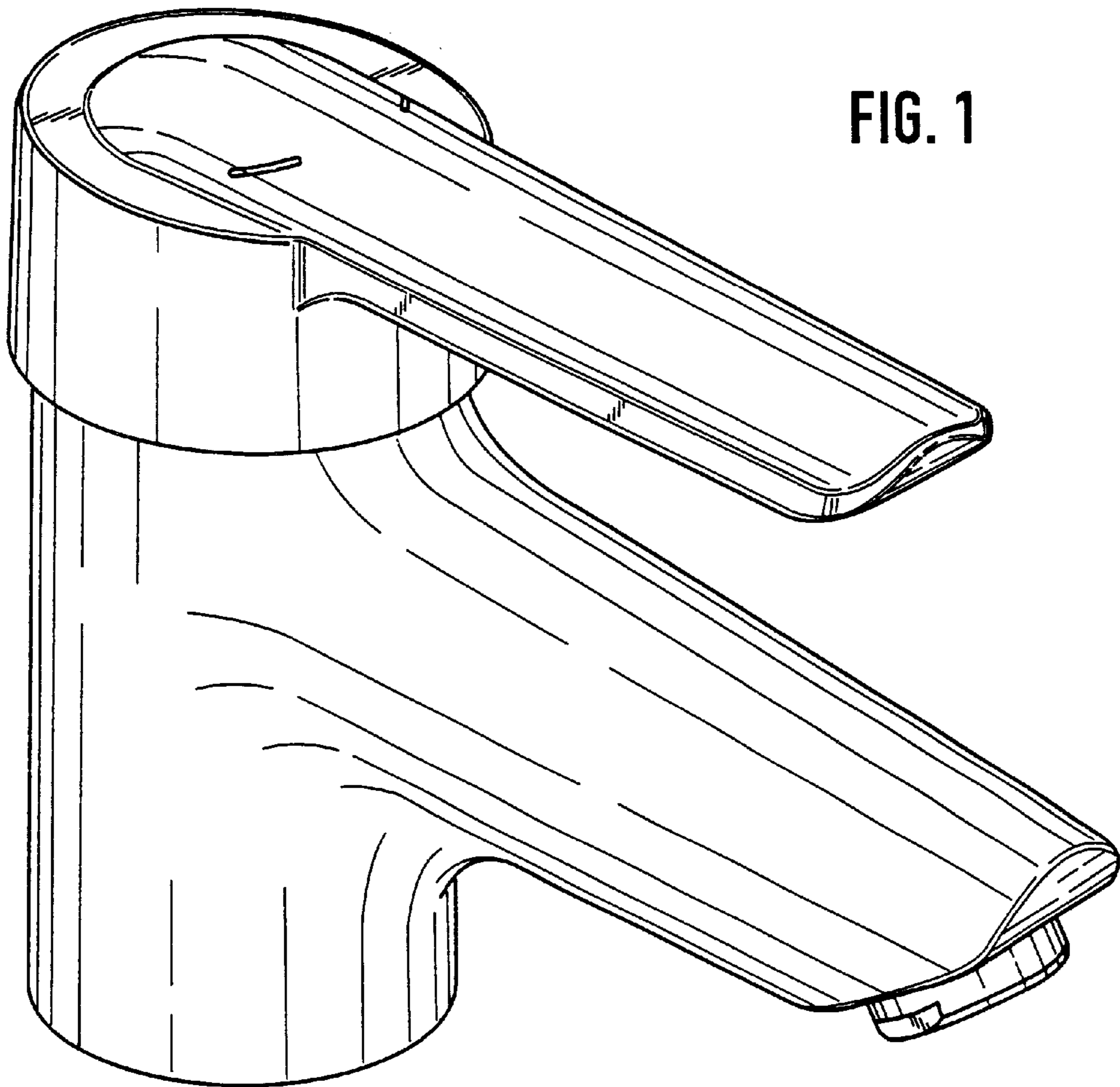


FIG. 1

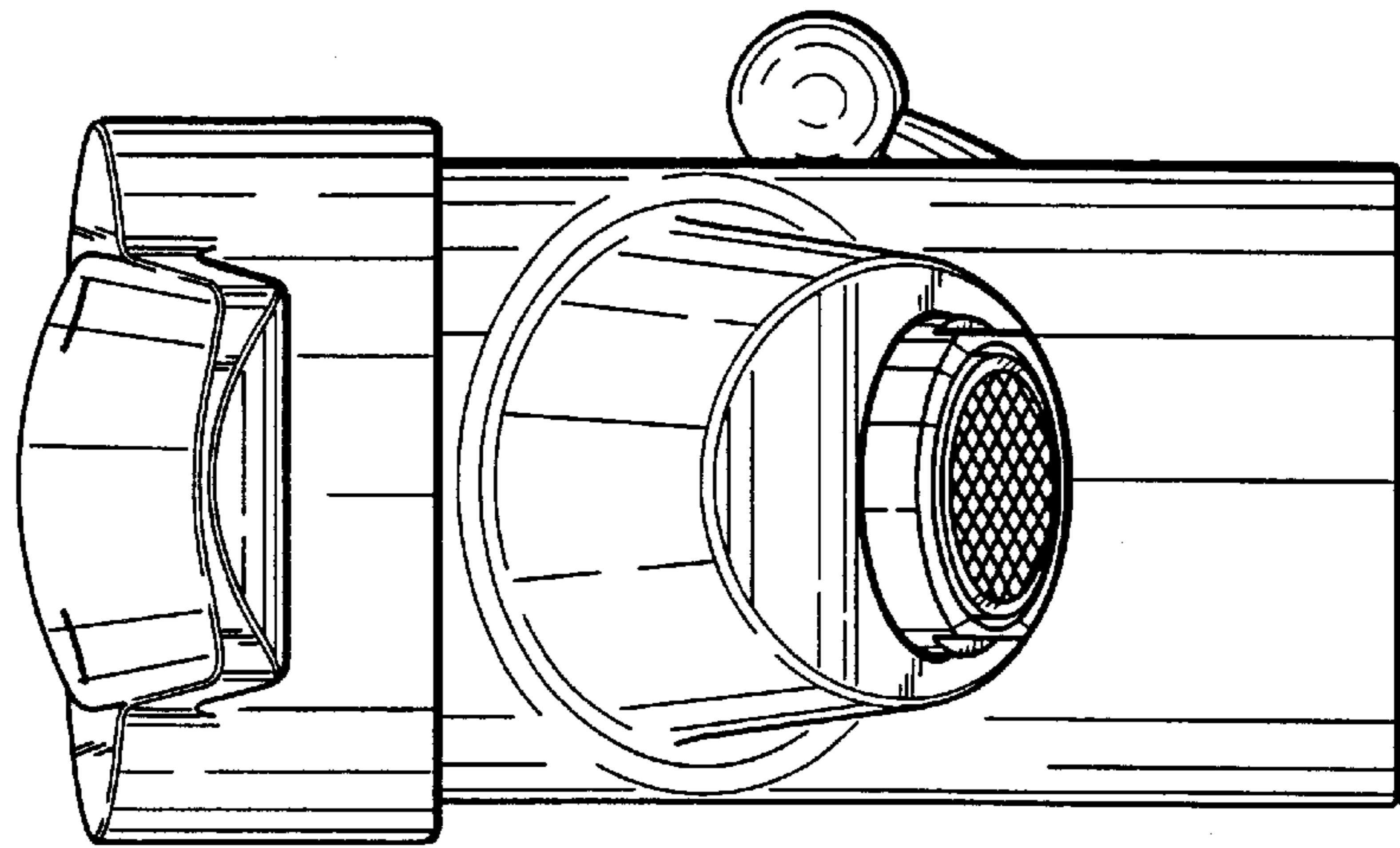


FIG. 3

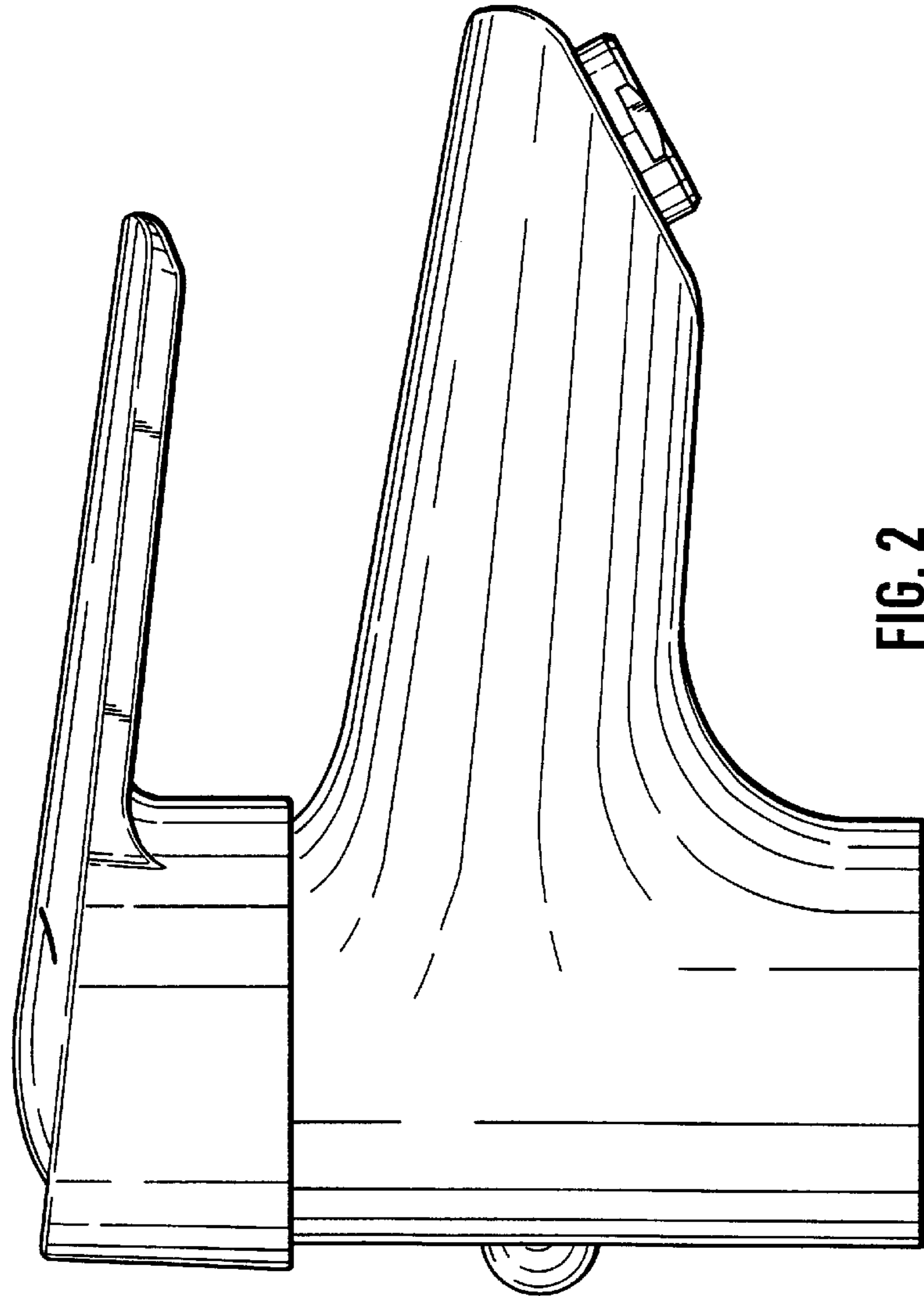


FIG. 2

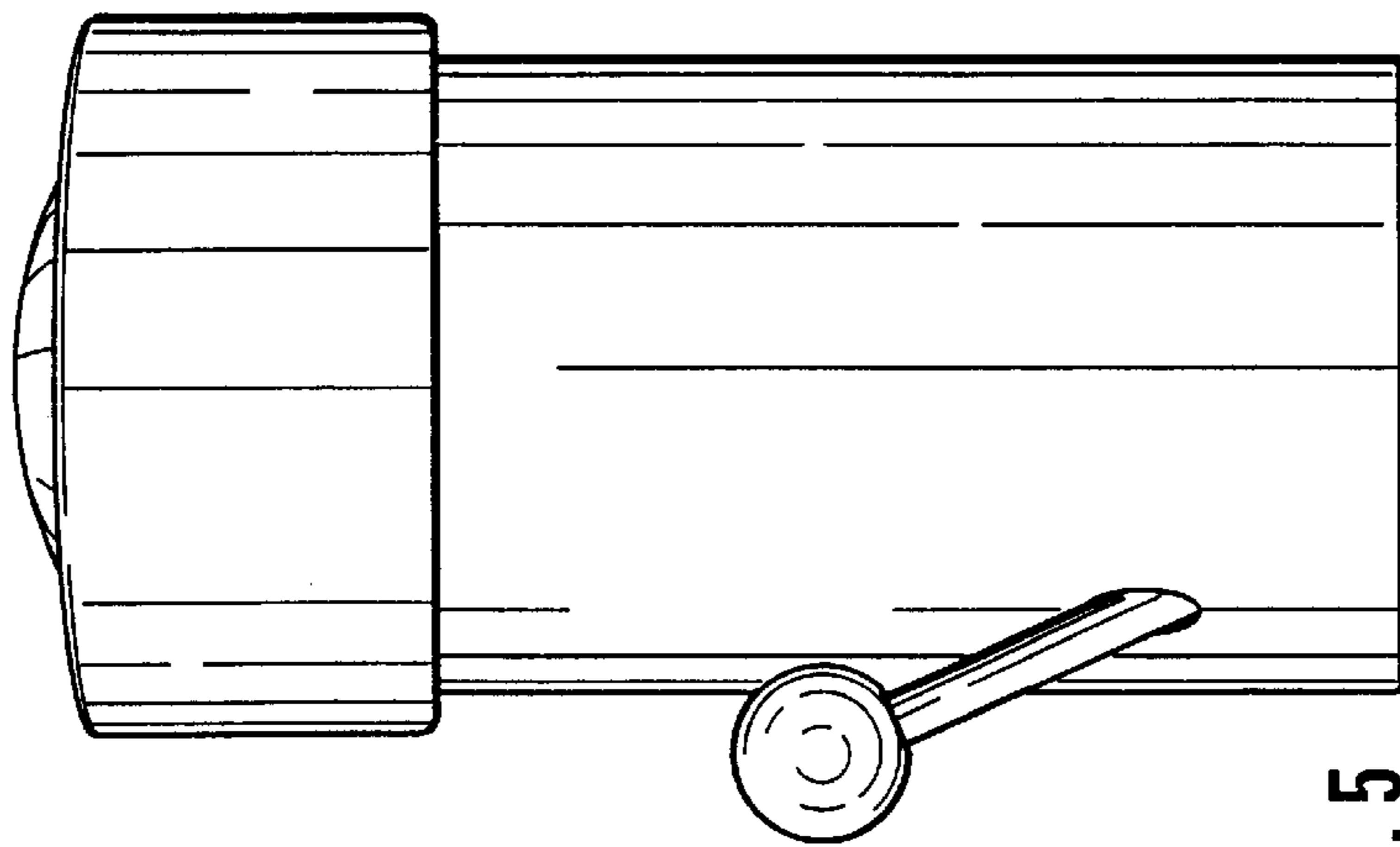


FIG. 5

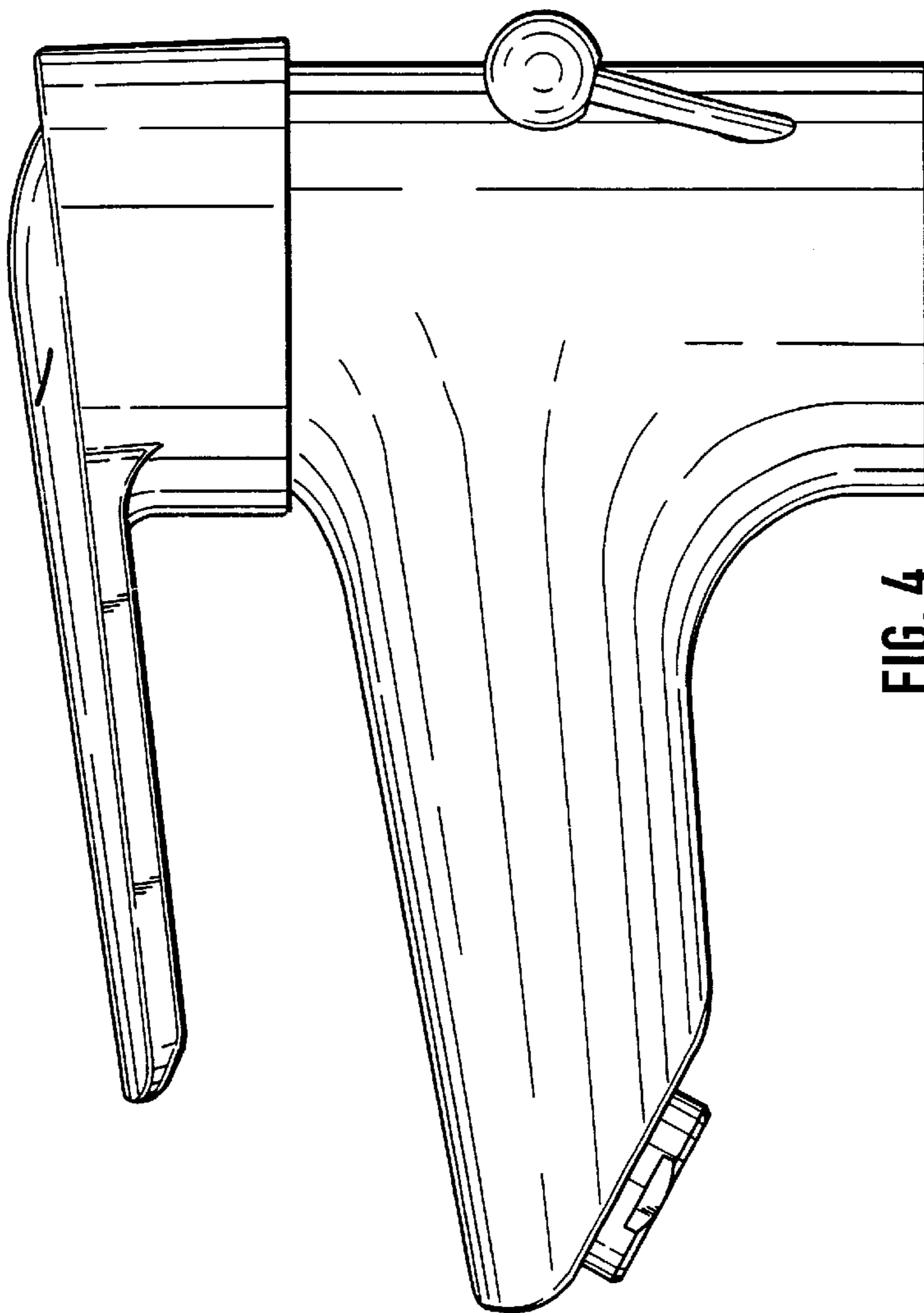


FIG. 4

FIG. 6

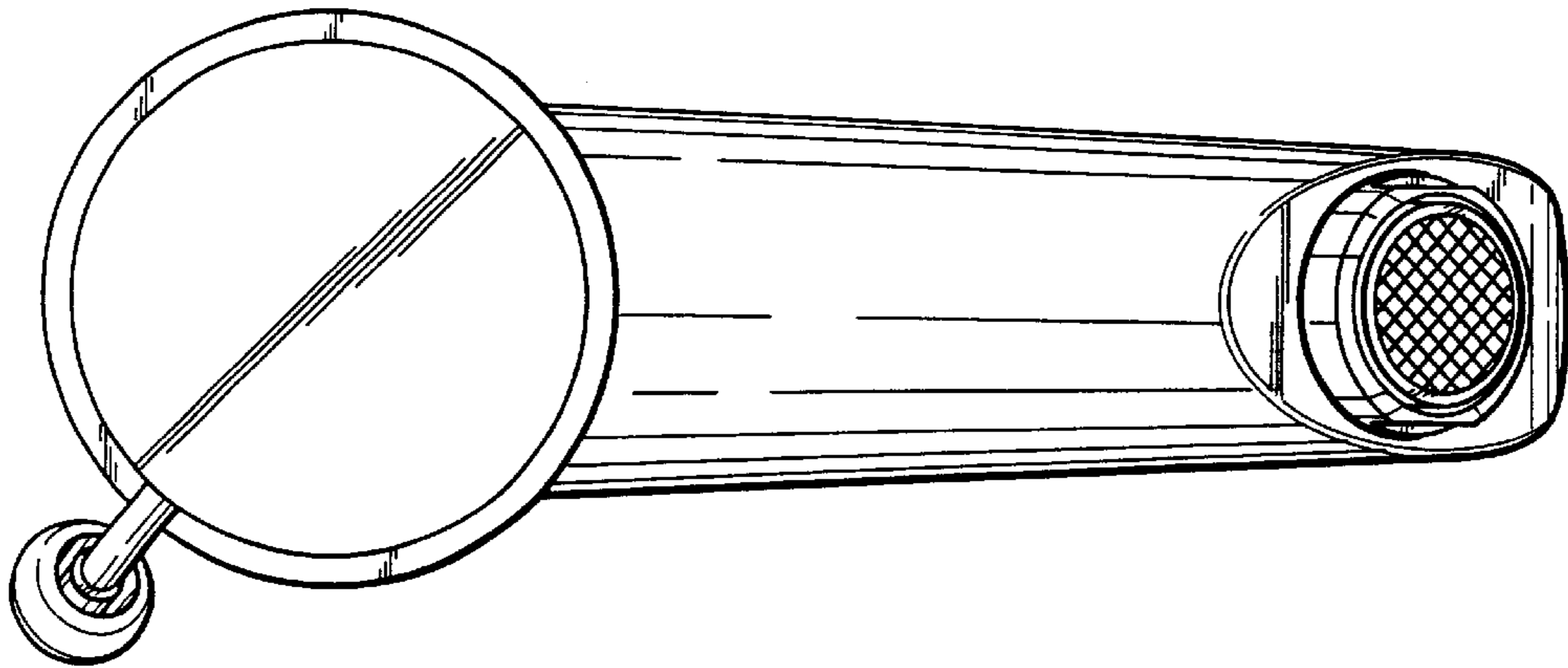


FIG. 7

