



US00D441424S

(12) **United States Design Patent**
Guo

(10) **Patent No.:** **US D441,424 S**

(45) **Date of Patent:** **** May 1, 2001**

(54) **SPRAYER GUN DEVICE**

(57) **CLAIM**

(76) **Inventor:** **Wen Li Guo**, No. 10, Fang Dong Road,
Wen Gin Tsuen, Fang Yuan Hsiang,
Chang Hua Hsien (TW), 528

The ornamental design for a sprayer gun device, as shown
and described.

(**) **Term:** **14 Years**

DESCRIPTION

(21) **Appl. No.:** **29/125,833**

FIG. 1 is a perspective view of a sprayer gun device showing
my new design;

(22) **Filed:** **Jun. 30, 2000**

FIG. 2 is a front elevational view thereof;

(51) **LOC (7) Cl.** **23-01**

FIG. 3 is a rear elevational view thereof;

(52) **U.S. Cl.** **D23/226**

FIG. 4 is a top plan view thereof;

(58) **Field of Search** D23/213, 223,
D23/226; 239/459, 525, 527

FIG. 5 is a bottom plan view thereof;

FIG. 6 is a left side elevational view thereof;

FIG. 7 is a right side elevational view thereof;

(56) **References Cited**

U.S. PATENT DOCUMENTS

- D. 376,839 * 12/1996 Hung D23/226
- D. 387,129 * 12/1997 Shiao D23/226
- D. 394,491 * 5/1998 Guo D23/226

FIGS. 8 and 9 are front elevational views embodying the
utilization of my new design, in which the sprayer head
depicted by means of broken lines being for illustrative
purposes only and forming no part of the claimed design;
and,

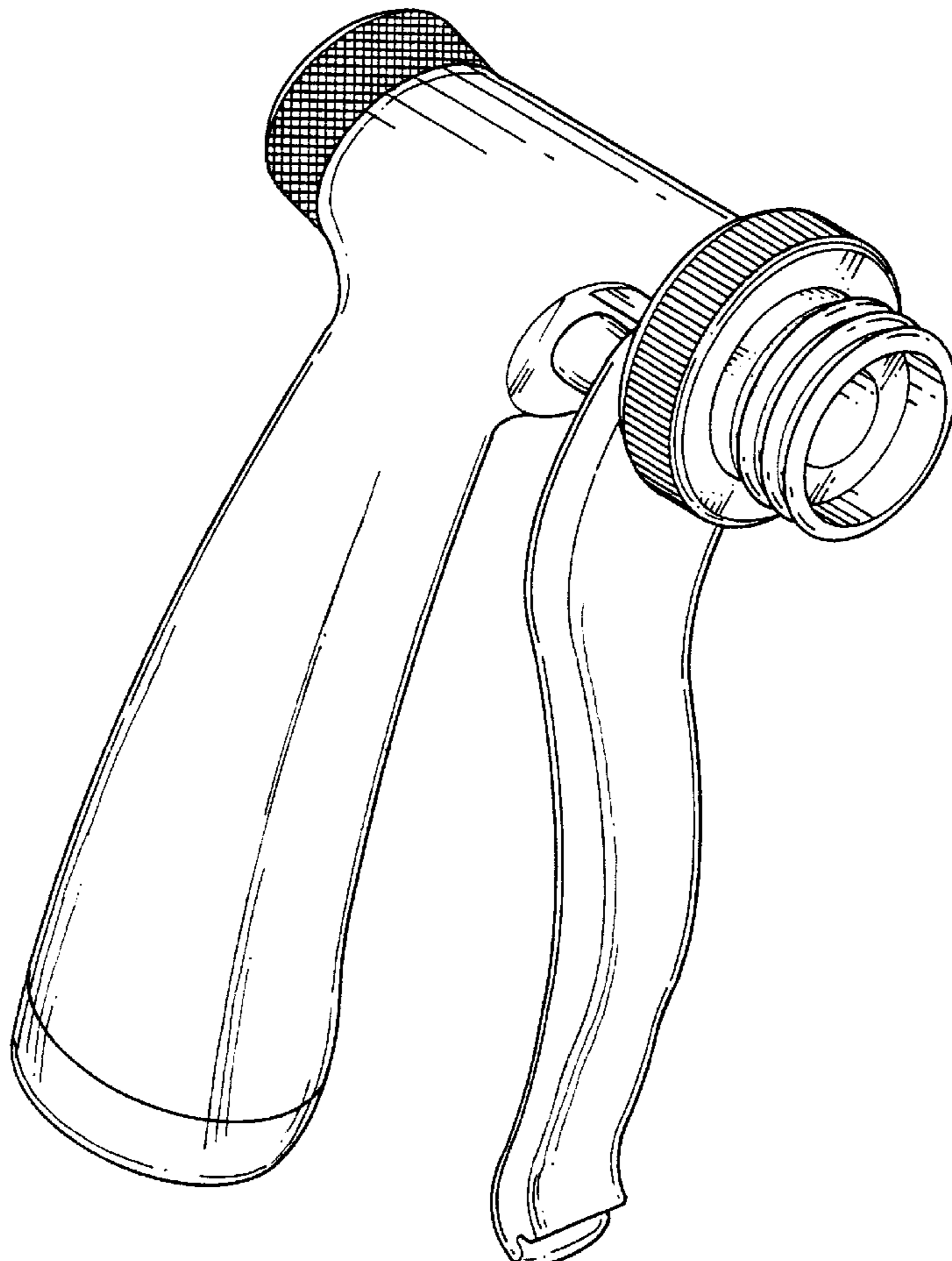
FIG. 10 is a diminished front elevational view embodying
the utilization of my new design, in which the sprayer head
depicted by means of broken lines being for illustrative
purposes only and forming no part of the claimed design.

* cited by examiner

Primary Examiner—Robin V. Taylor

(74) *Attorney, Agent, or Firm*—Charles E. Baxley, Esq.

1 Claim, 7 Drawing Sheets



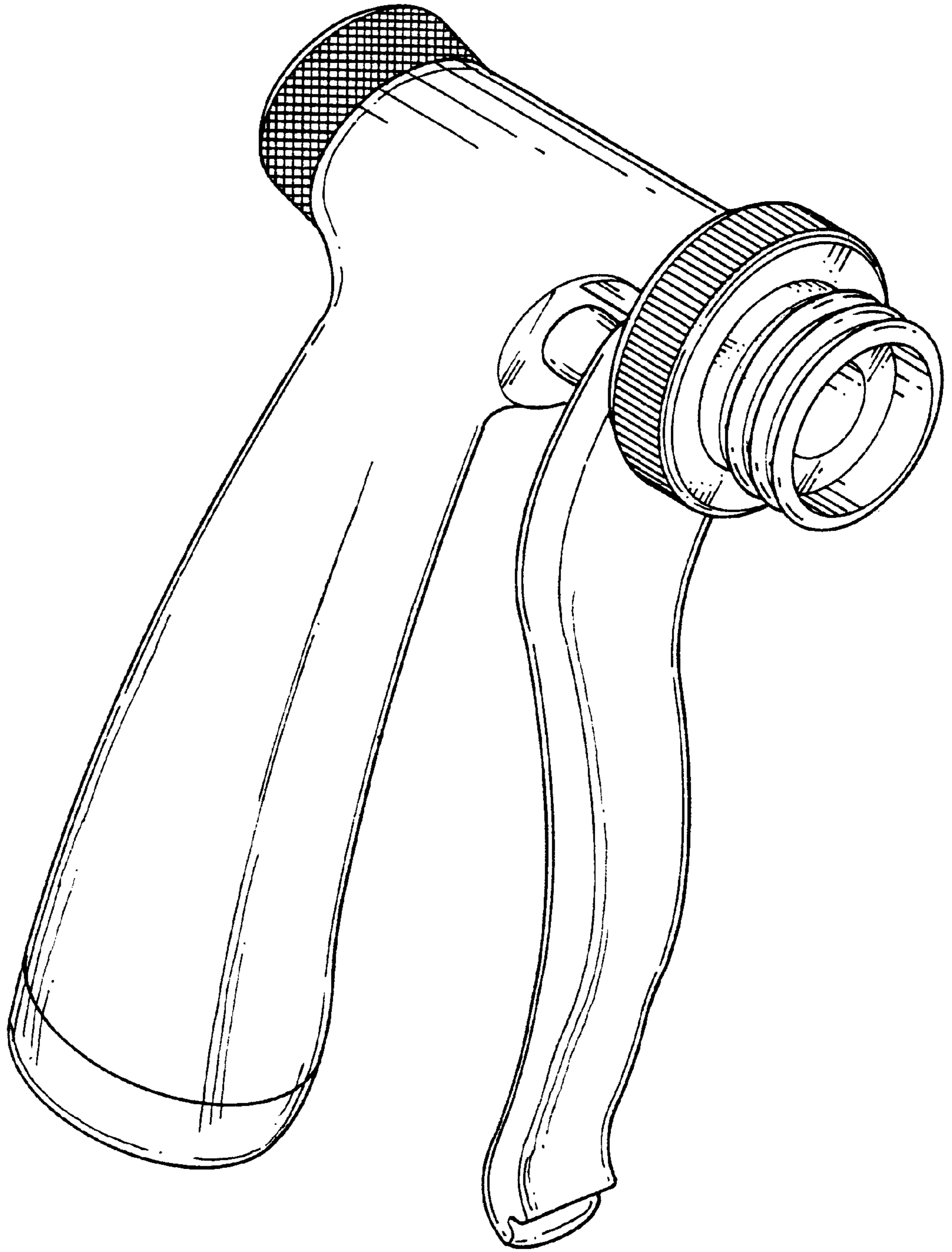


FIG. 1

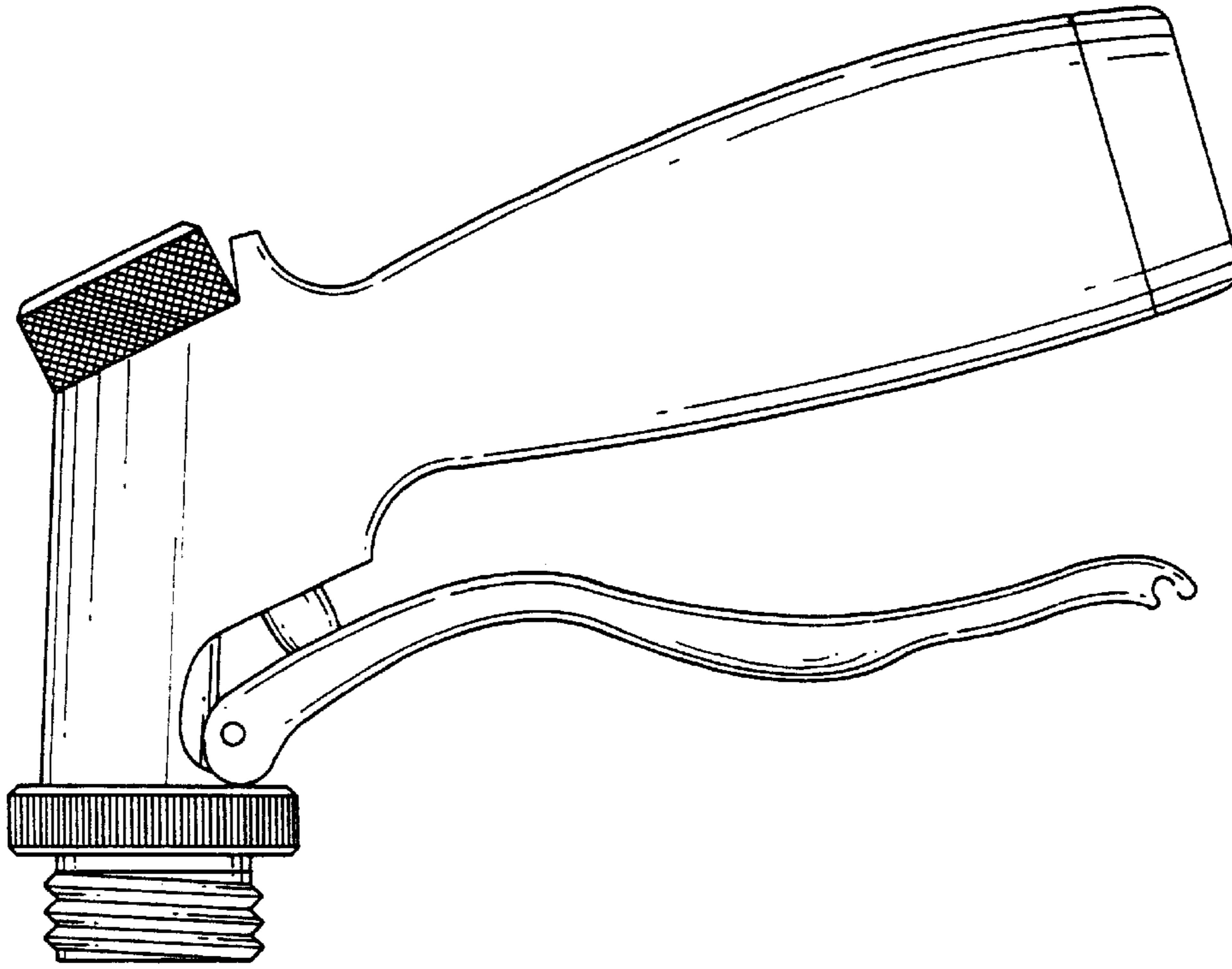


FIG. 3

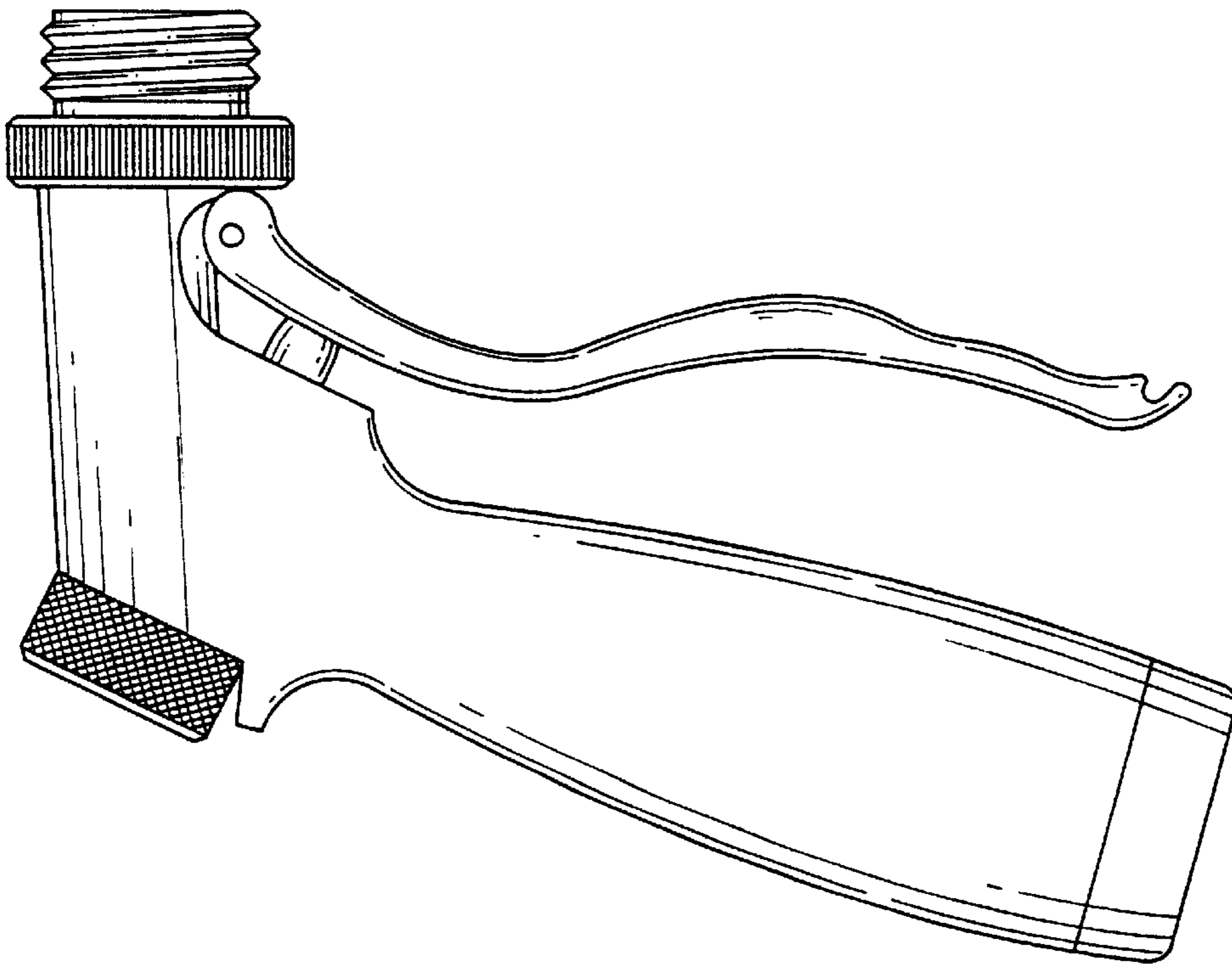


FIG. 2

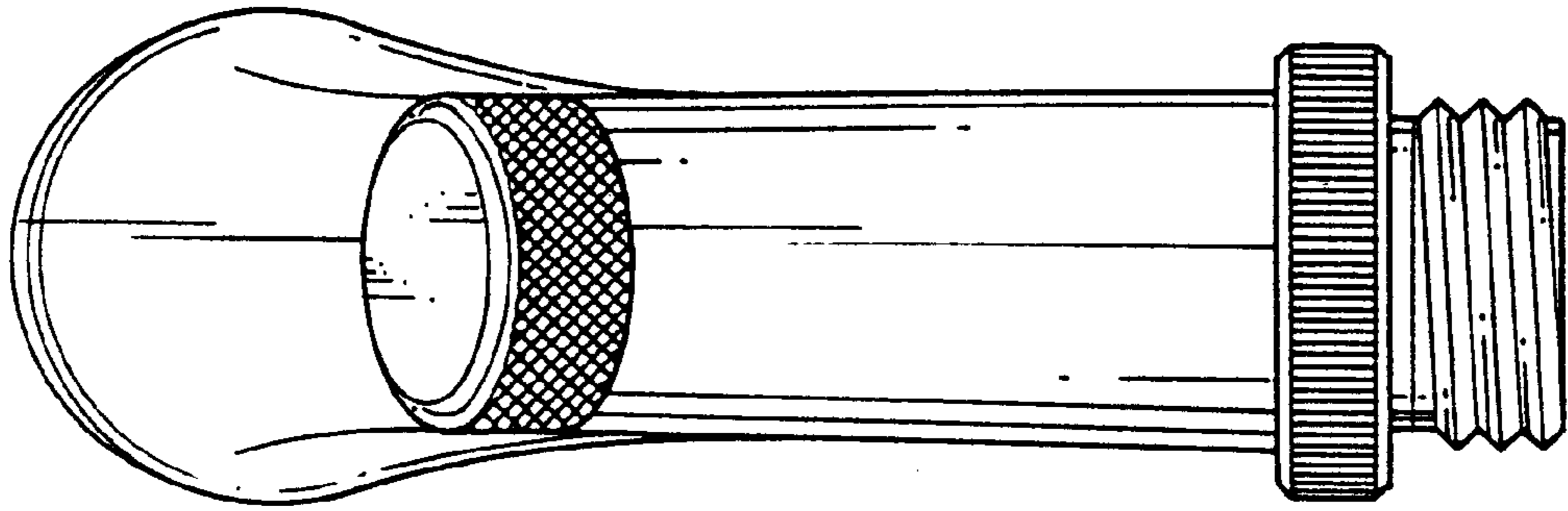


FIG. 4

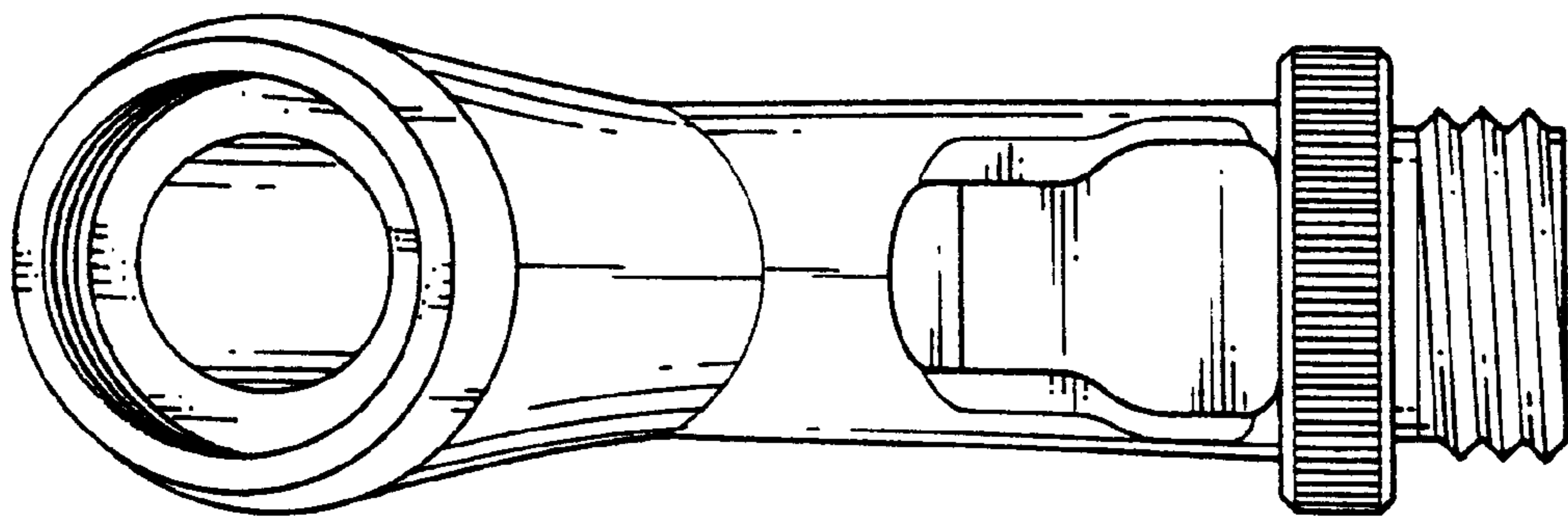


FIG. 5

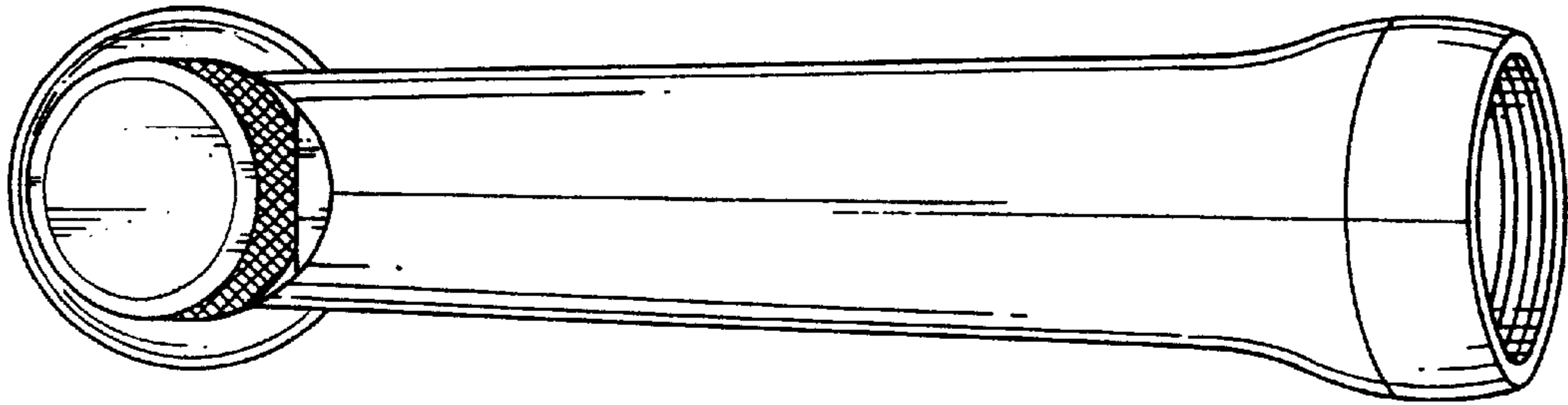


FIG. 6

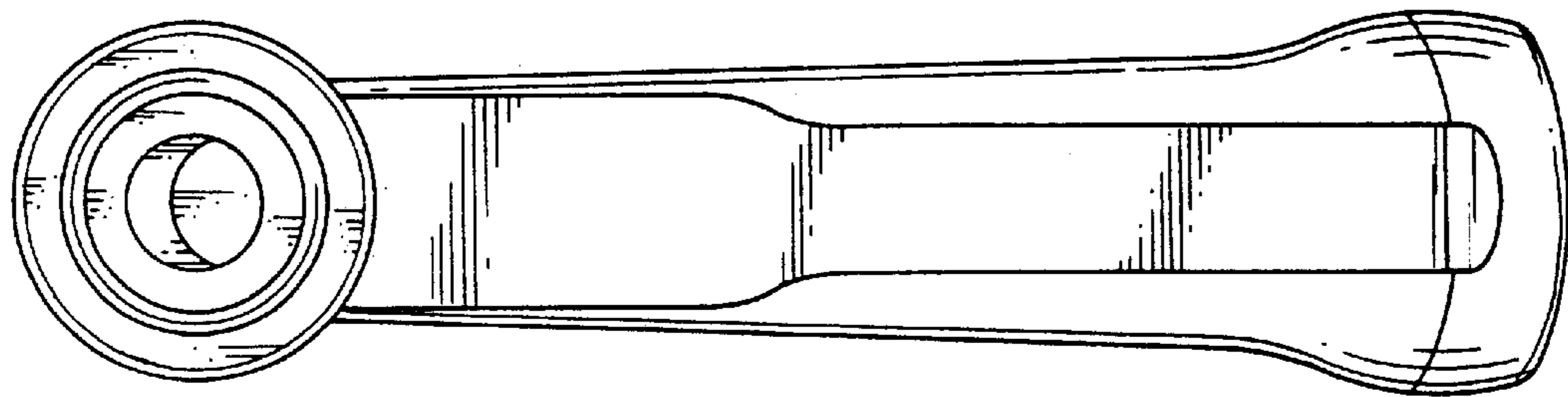


FIG. 7

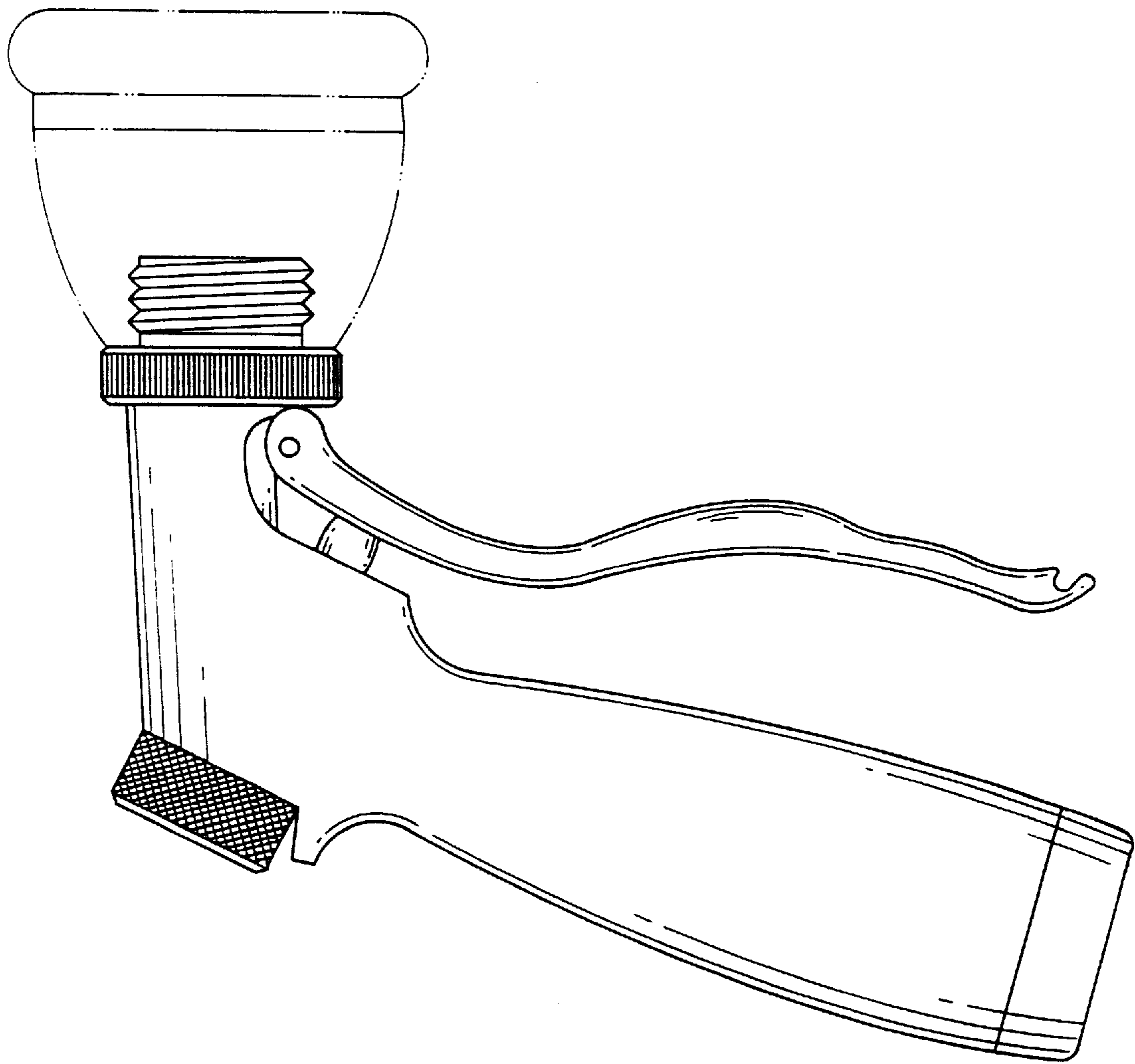


FIG. 8

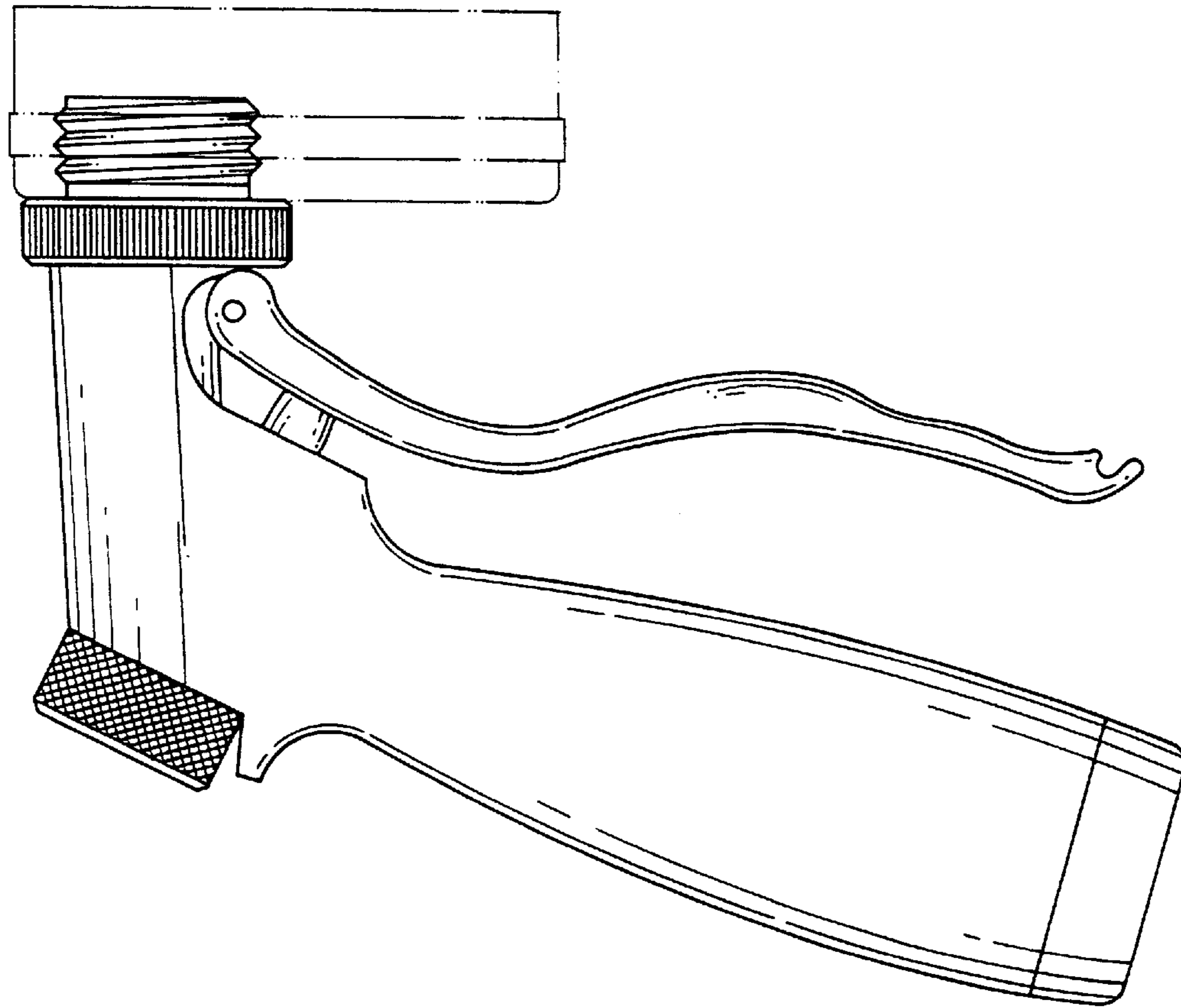


FIG. 9

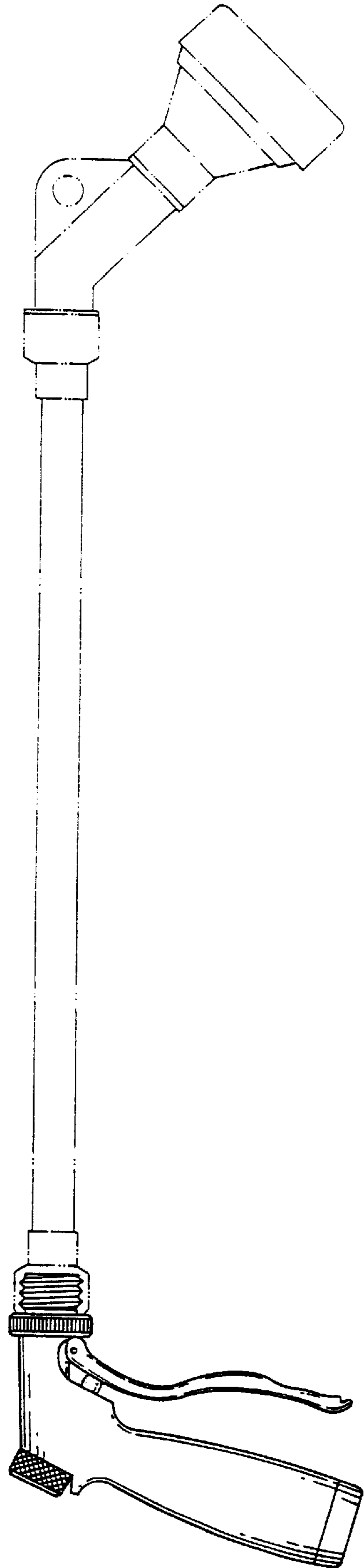


FIG. 10