



US00D441422S

(12) **United States Design Patent**
Jensen

(10) **Patent No.:** **US D441,422 S**

(45) **Date of Patent:** **** May 1, 2001**

(54) **FILTER ELEMENT**

(75) Inventor: **Russell D. Jensen**, Modesto, CA (US)

(73) Assignee: **Parker-Hannifin Corporation**,
Cleveland, OH (US)

(**) Term: **14 Years**

(21) Appl. No.: **29/124,118**

(22) Filed: **May 31, 2000**

(51) **LOC (7) Cl.** **23-01**

(52) **U.S. Cl.** **D23/209**

(58) **Field of Search** **D23/207, 209;**
210/435, 460

(56) **References Cited**

U.S. PATENT DOCUMENTS

D. 391,624 * 3/1998 King D23/209

D. 405,157 * 2/1999 Hayes D23/209

5,882,515 * 3/1999 Lacy et al. 210/460

* cited by examiner

Primary Examiner—Robin V. Taylor

(74) *Attorney, Agent, or Firm*—Christopher H. Hunter

(57) **CLAIM**

The ornamental design for a filter element, as shown and described.

DESCRIPTION

FIG. 1 is a side view of a filter element showing my new design;

FIG. 2 is a top plan view of the filter element of FIG. 1;

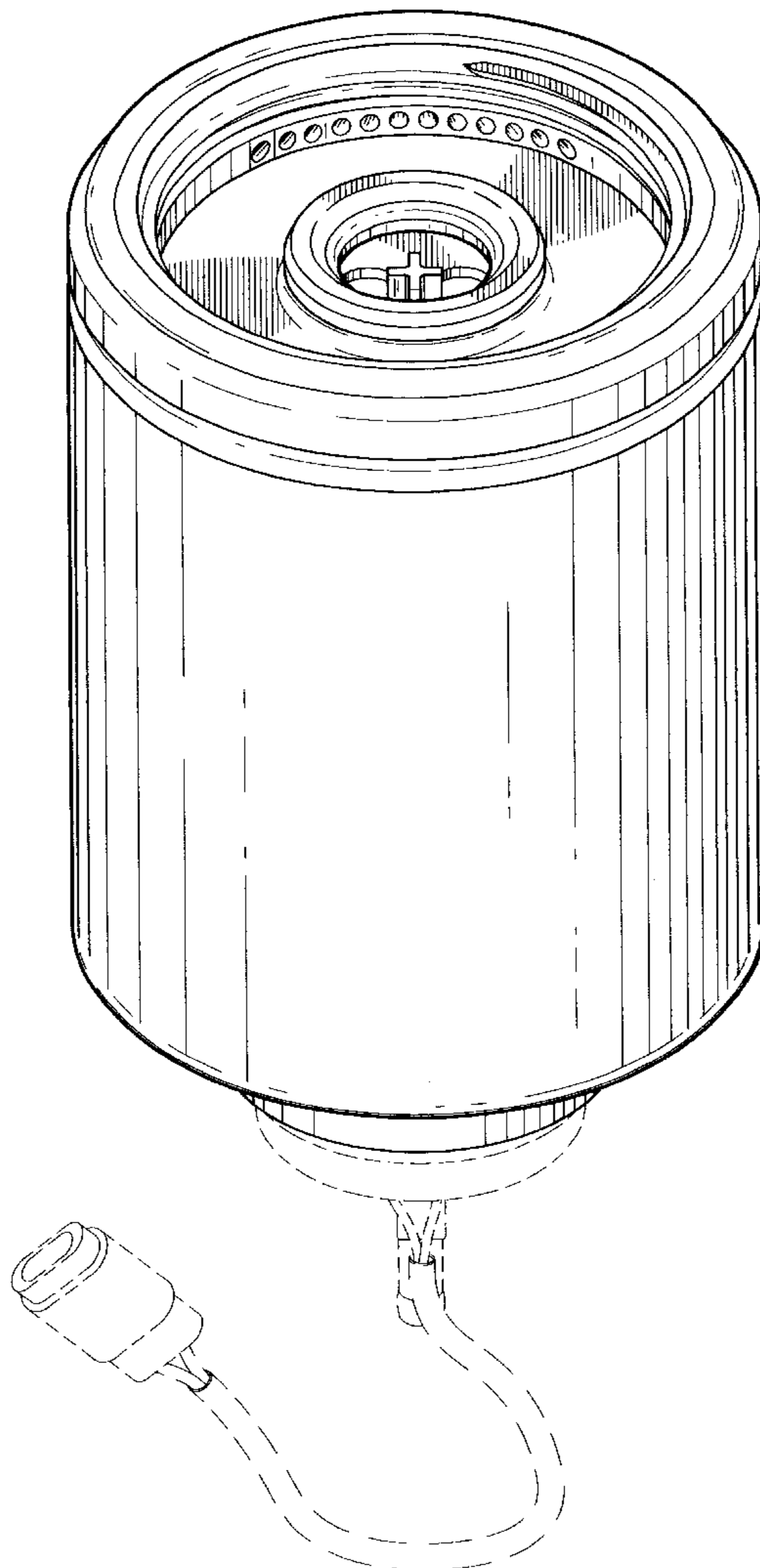
FIG. 3 is a bottom view of the filter element of FIG. 1;

FIG. 4 is an elevated perspective view of the filter element of FIG. 1; and,

FIG. 5 is an elevated perspective view similar to FIG. 4, but where the filter element is rotated 90 degrees around its central axis.

The broken line showing is for illustrative purposes only and forms no part of the claimed design.

1 Claim, 4 Drawing Sheets



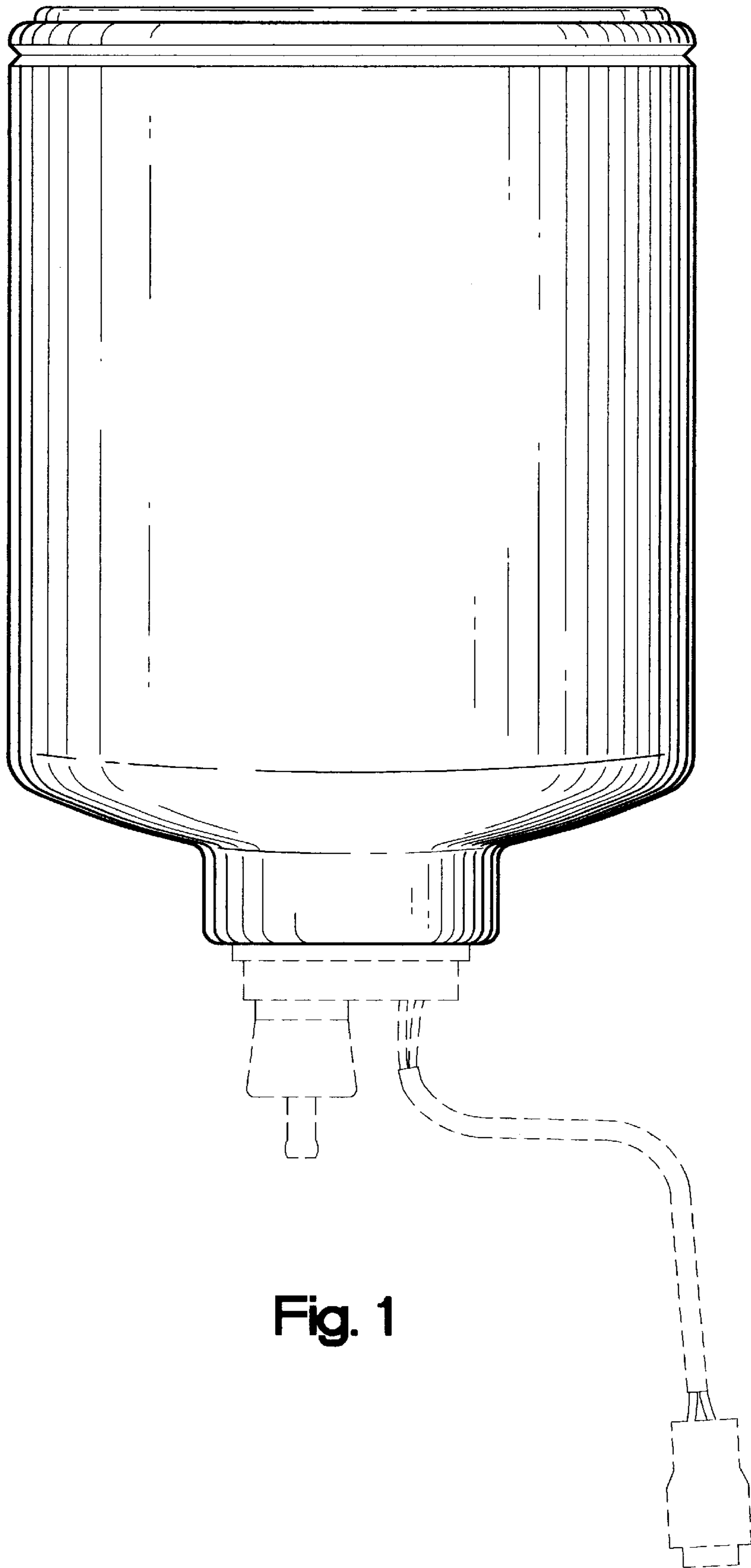


Fig. 1

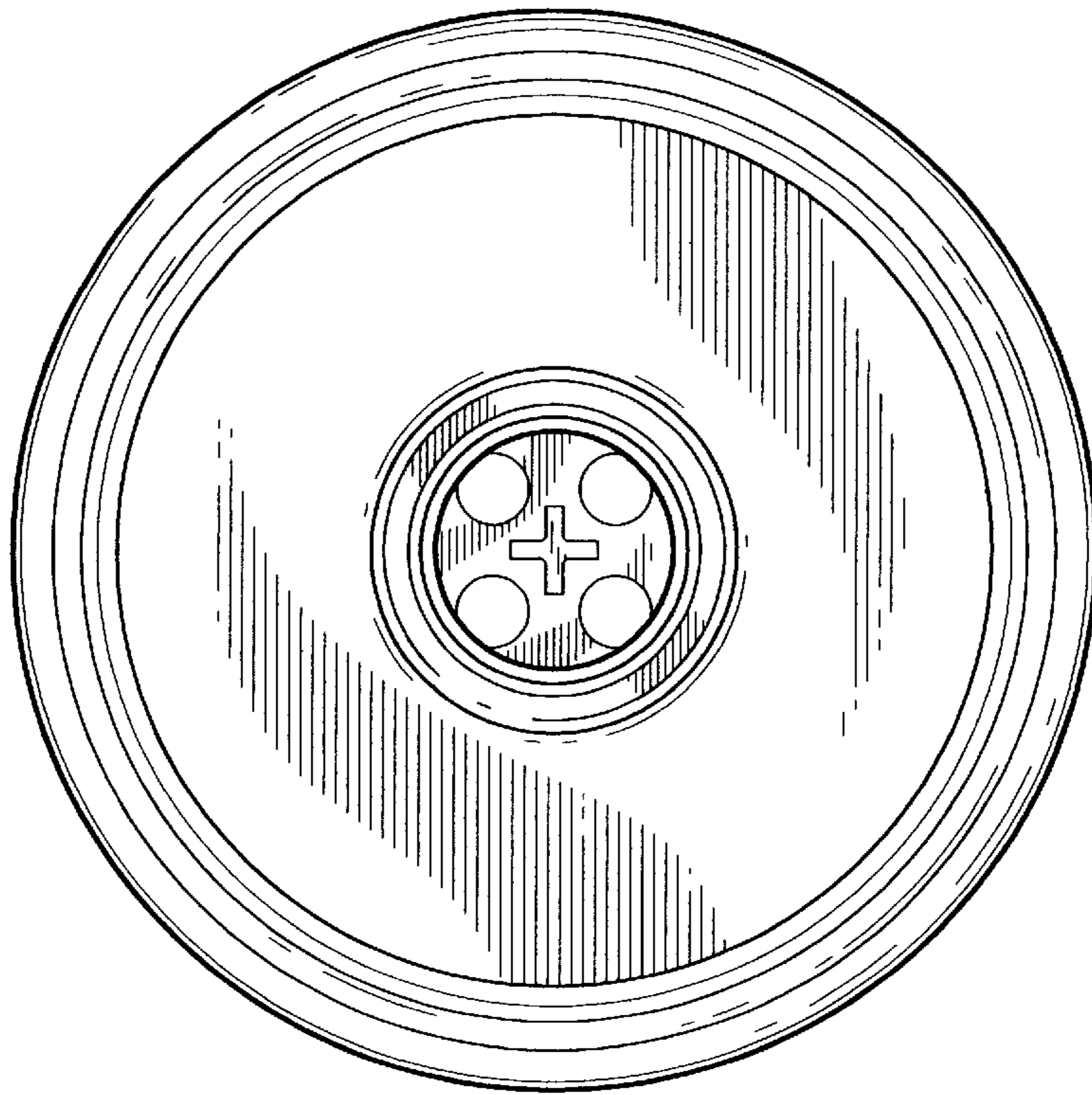


Fig. 2

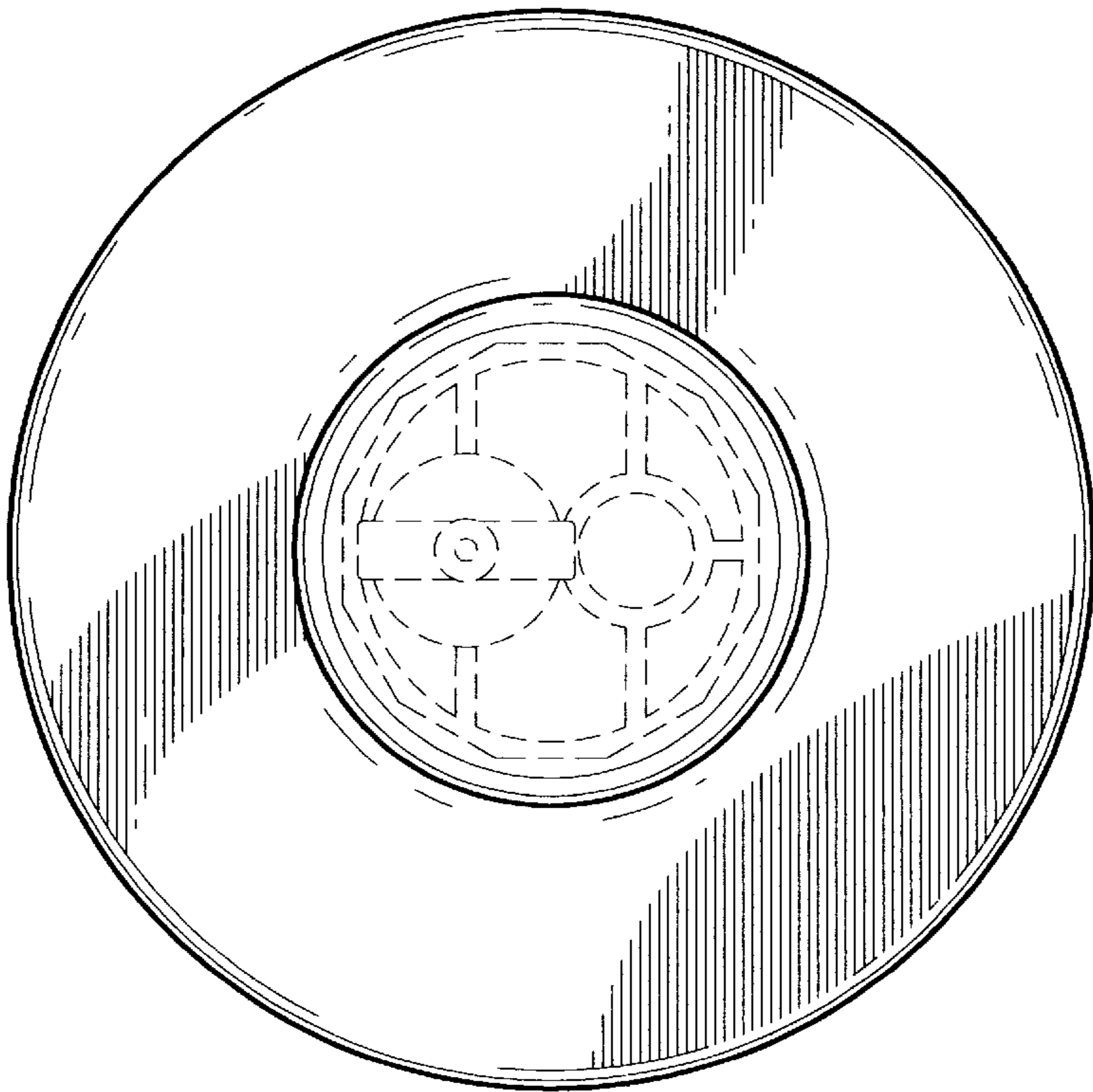


Fig. 3

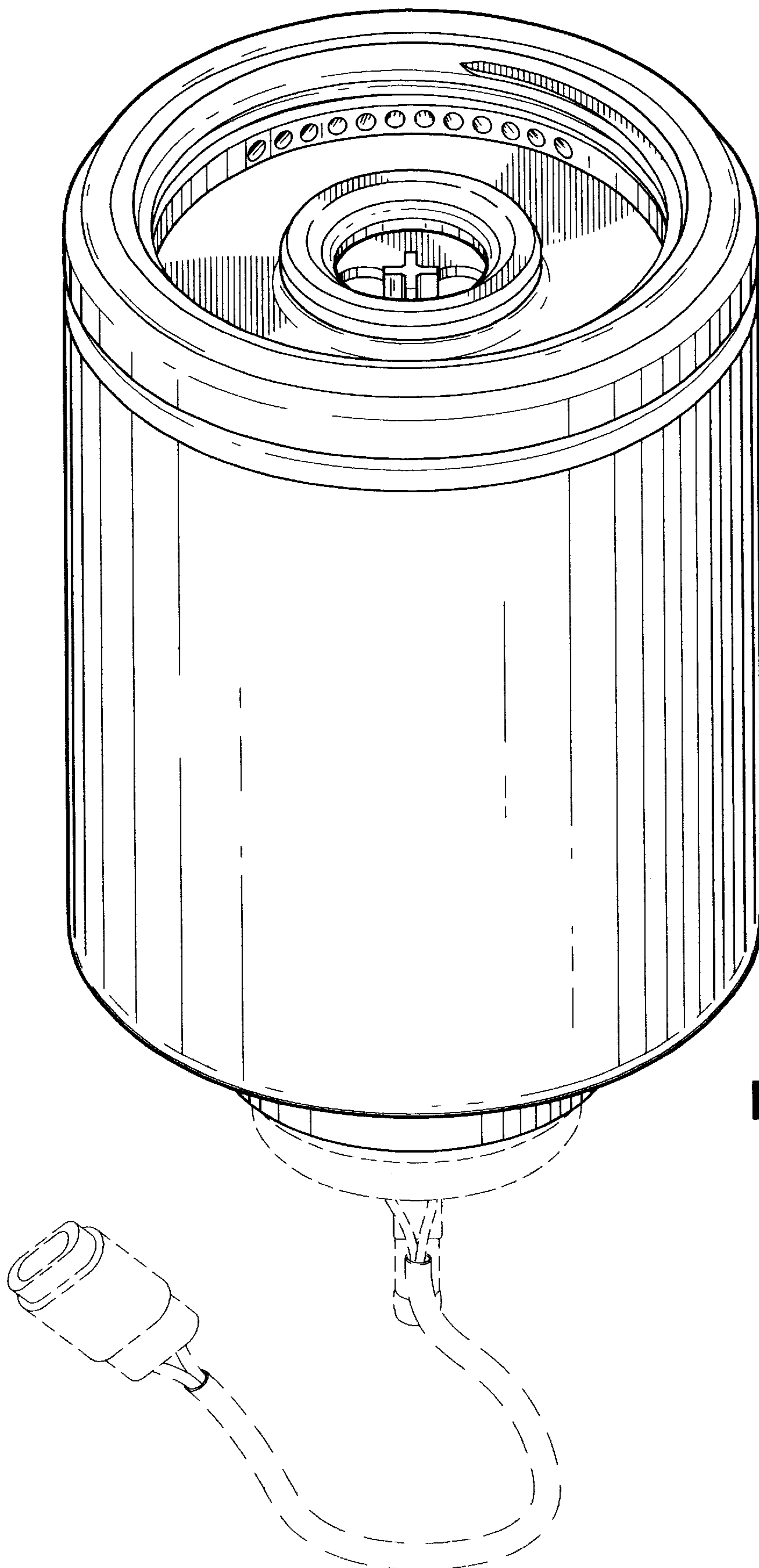


Fig. 4

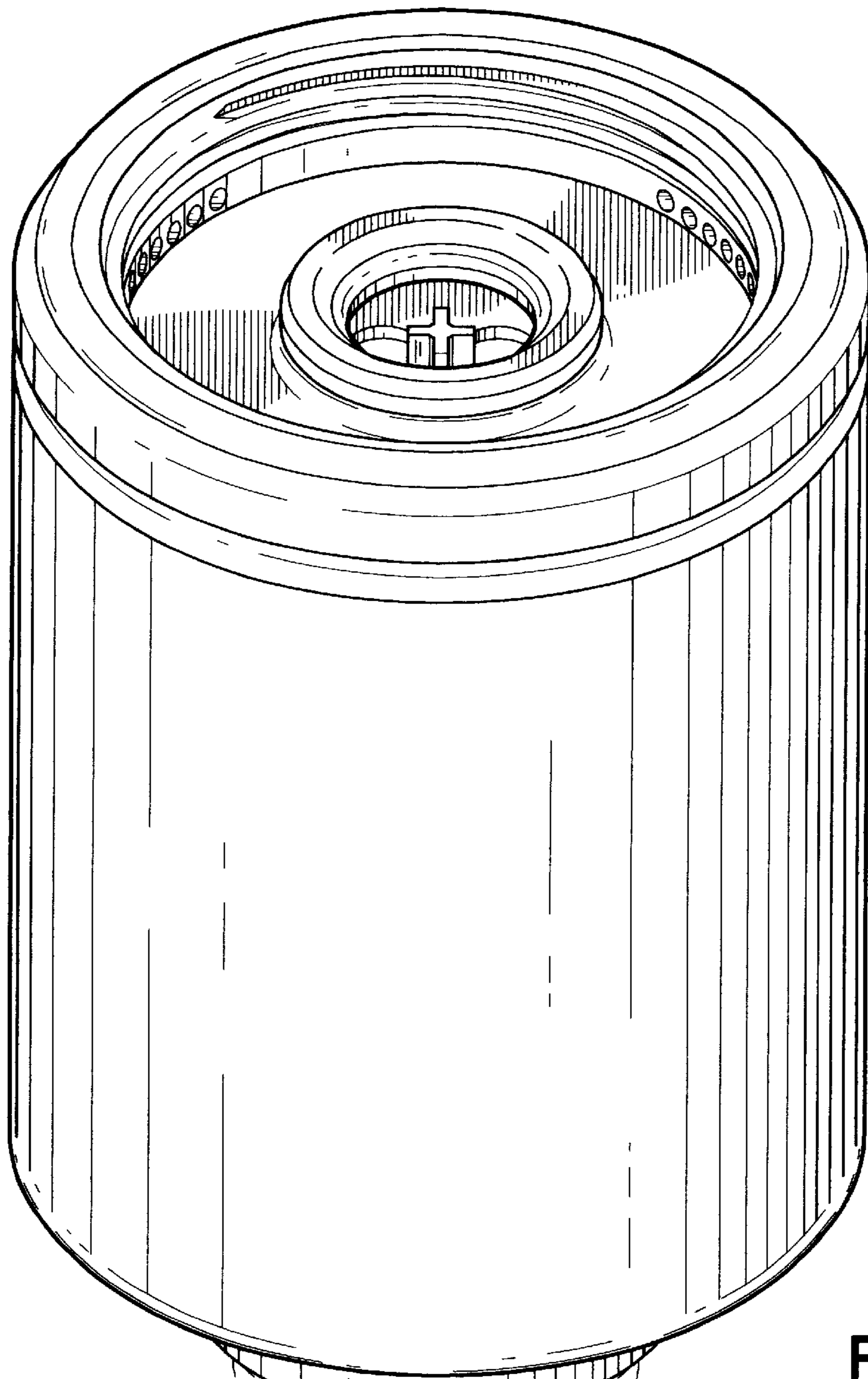


Fig. 5