



US00D441410S

(12) **United States Design Patent**
Fernandez et al.

(10) **Patent No.:** **US D441,410 S**

(45) **Date of Patent:** **** May 1, 2001**

(54) **FRAME FOR PAINTBALL GUN**

(76) Inventors: **Paul Fernandez**, 2921 Claremont Rd.,
Raleigh, NC (US) 27608; **Carson**
Fernandez, 7608 Pineweld Ct., Raleigh,
NC (US) 27615

(**) Term: **14 Years**

(21) Appl. No.: **29/122,385**

(22) Filed: **Apr. 27, 2000**

(51) **LOC (7) Cl.** **21-01**

(52) **U.S. Cl.** **D21/574**

(58) **Field of Search** D21/567-575;
D22/104, 108-109, 225, 224, 222; 446/180,
219, 267, 430, 473, 475; 124/5, 25, 56,
71, 72, 81, 83; 42/54, 55, 71.02; 222/78-79;
273/310-311; 362/110-114

(56) **References Cited**

U.S. PATENT DOCUMENTS

- D. 153,811 * 5/1949 Lim D21/574
- D. 157,934 * 4/1950 Baron D21/574
- D. 182,066 * 2/1958 Fetty D22/104
- D. 193,729 * 10/1962 Grabau D21/574
- D. 228,757 * 10/1973 Sanford D22/104
- 5,228,427 * 7/1993 Gardner 124/71
- 5,465,520 * 11/1995 Cupp 42/71.02

- 5,503,137 * 4/1996 Fusco 124/56
- 5,823,173 * 10/1998 De Angeli 124/81
- 5,954,042 * 9/1999 Harvey 124/72
- 6,065,460 * 5/2000 Lotuaco 124/72
- 6,073,381 * 6/2000 Farrar 42/71.02

OTHER PUBLICATIONS

National FOP Journal, P 42, 1991.*

* cited by examiner

Primary Examiner—Raphael Barkai

(74) *Attorney, Agent, or Firm*—Mills Law Firm PLLC

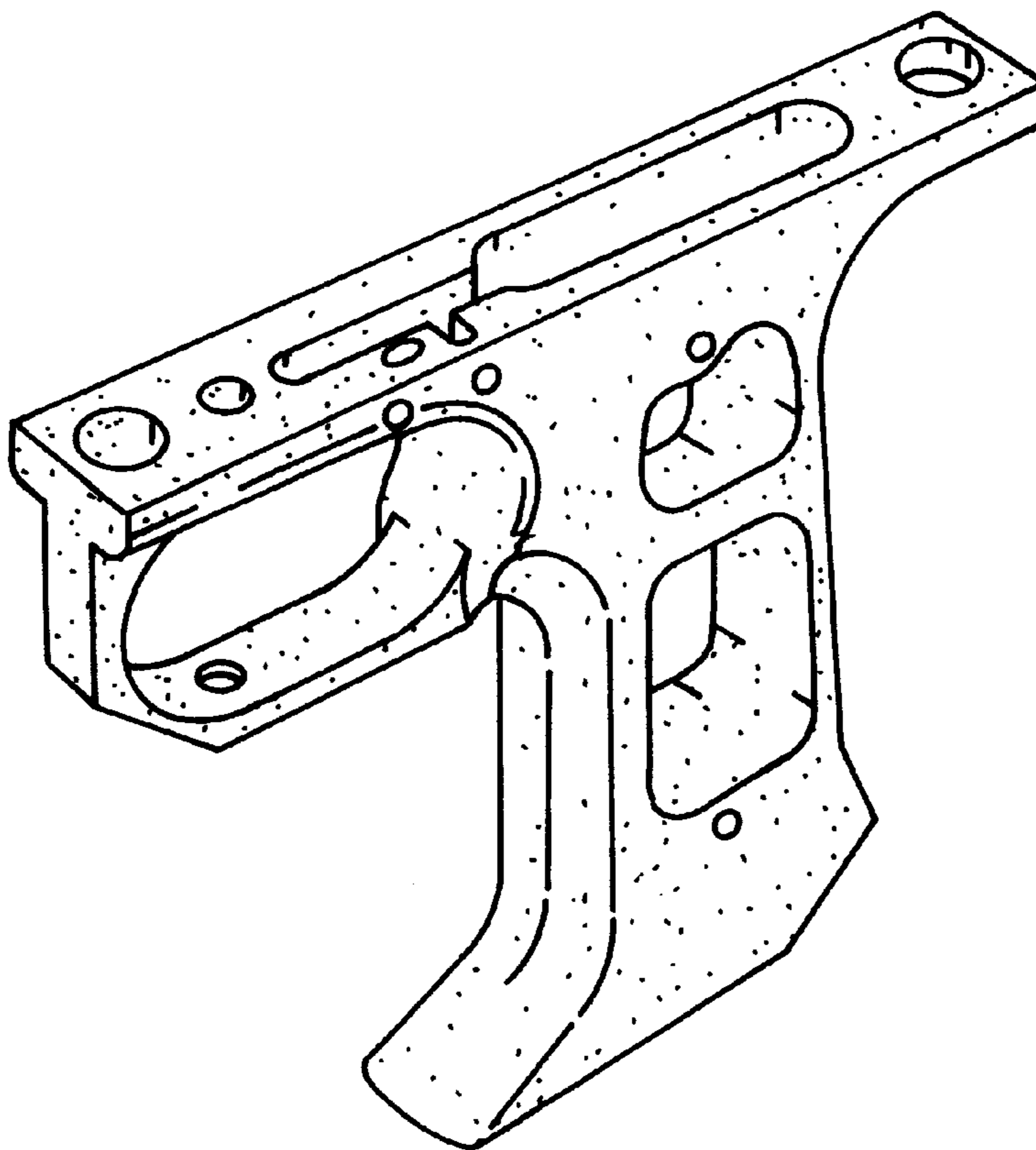
(57) **CLAIM**

The ornamental design for a frame for paintball gun, as shown and described.

DESCRIPTION

FIG. 1 is a perspective view of the frame for paintball gun, showing our design;
 FIG. 2 is a right side elevational view thereof;
 FIG. 3 is a top plan view thereof;
 FIG. 4 is a bottom plan view thereof;
 FIG. 5 is a left elevational view thereof;
 FIG. 6 is a rear elevational view thereof;
 FIG. 7 is a front elevational view thereof; and,
 FIG. 8 is a perspective view of a modification thereof.

1 Claim, 4 Drawing Sheets



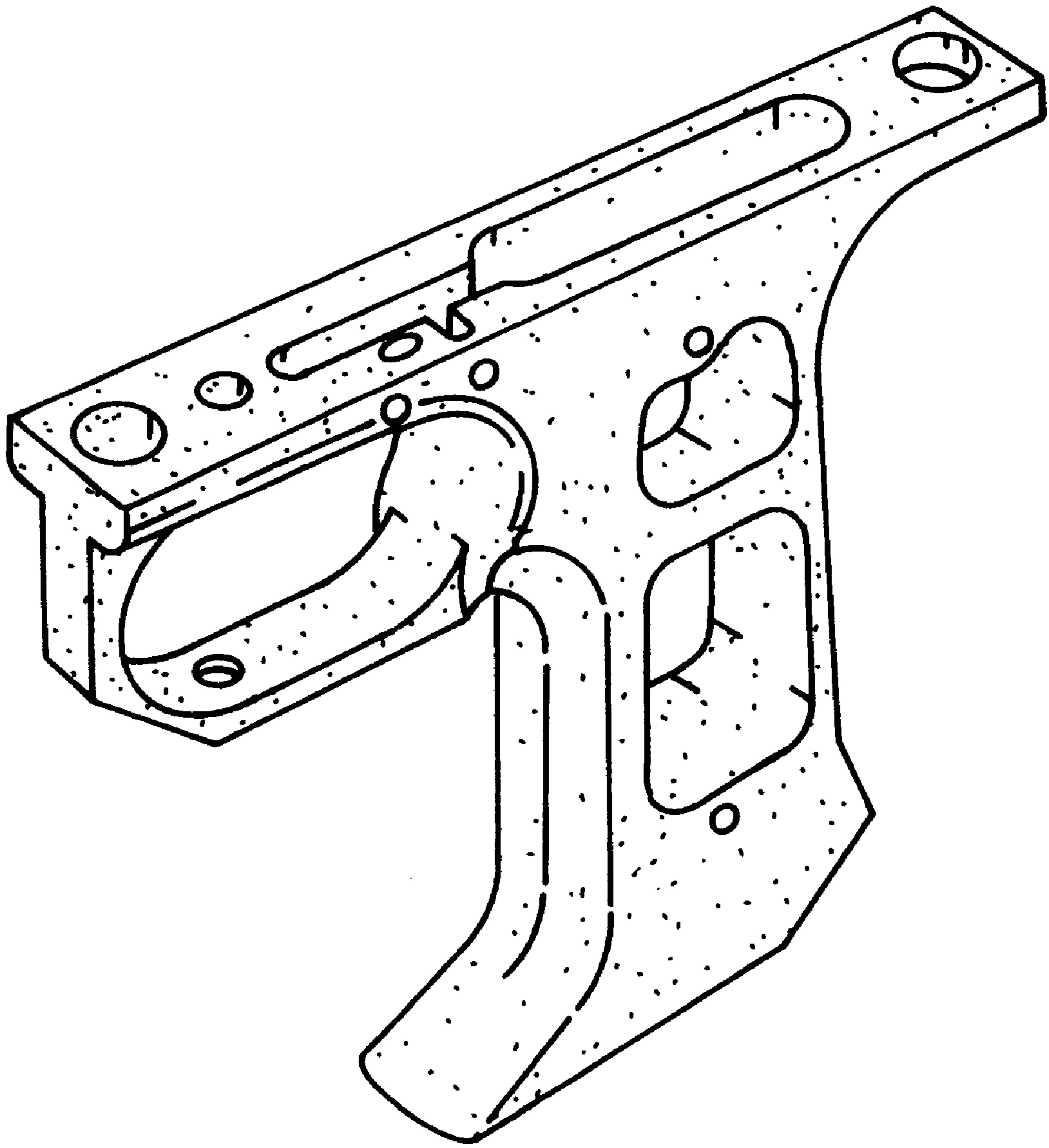


FIG. 1

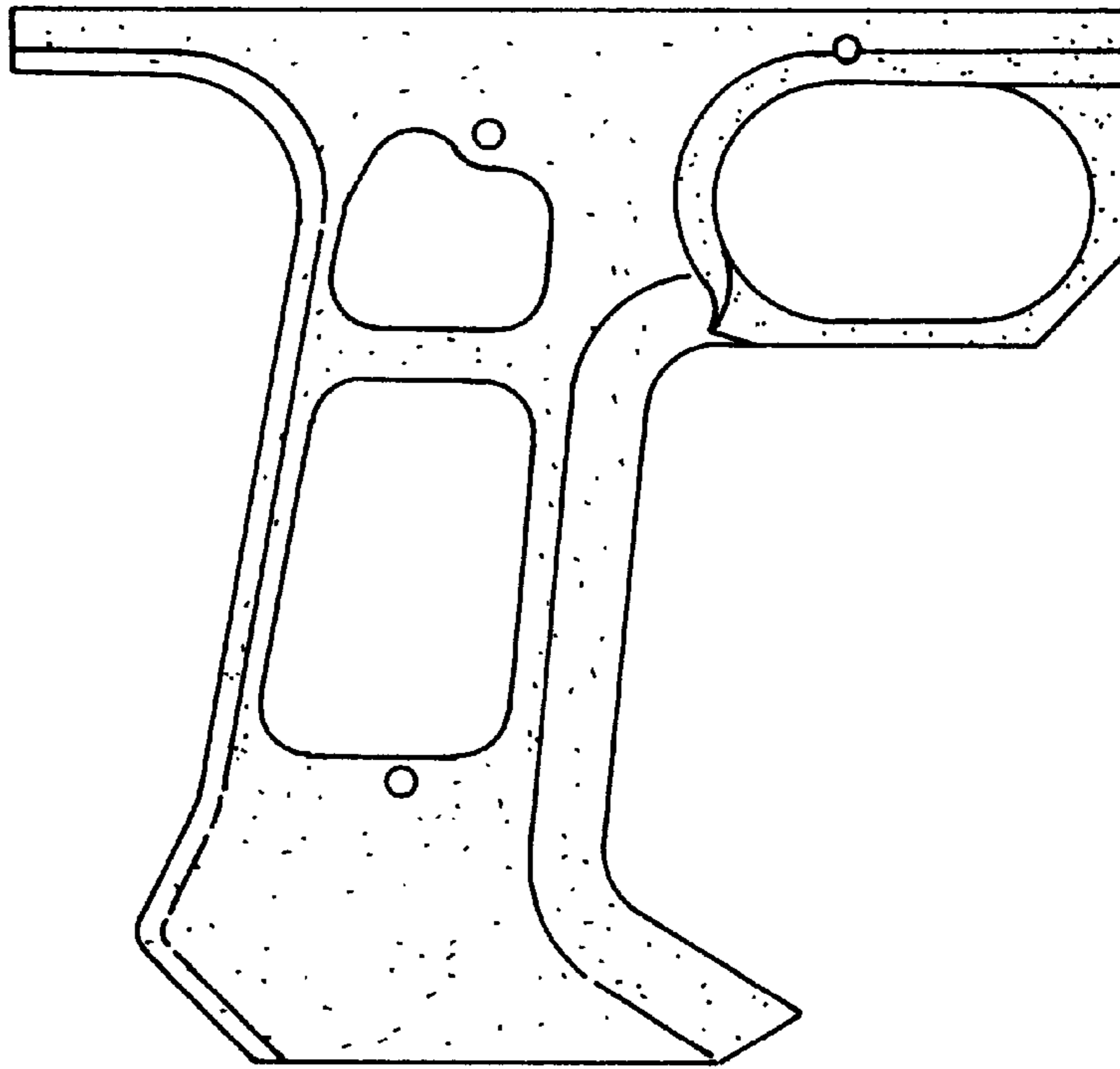


FIG. 2



FIG. 3

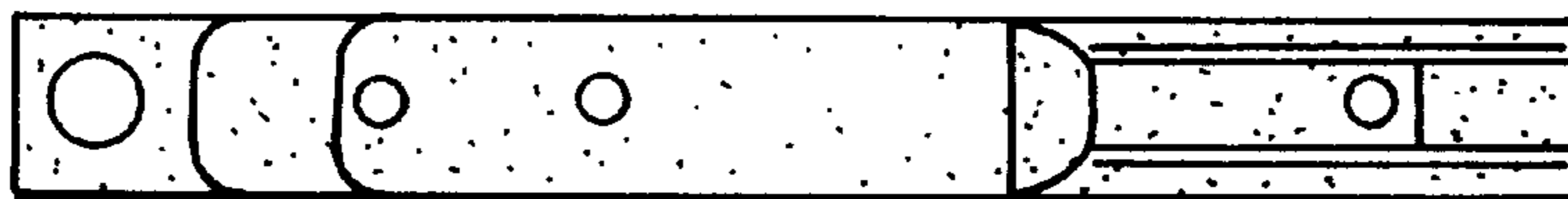


FIG. 4

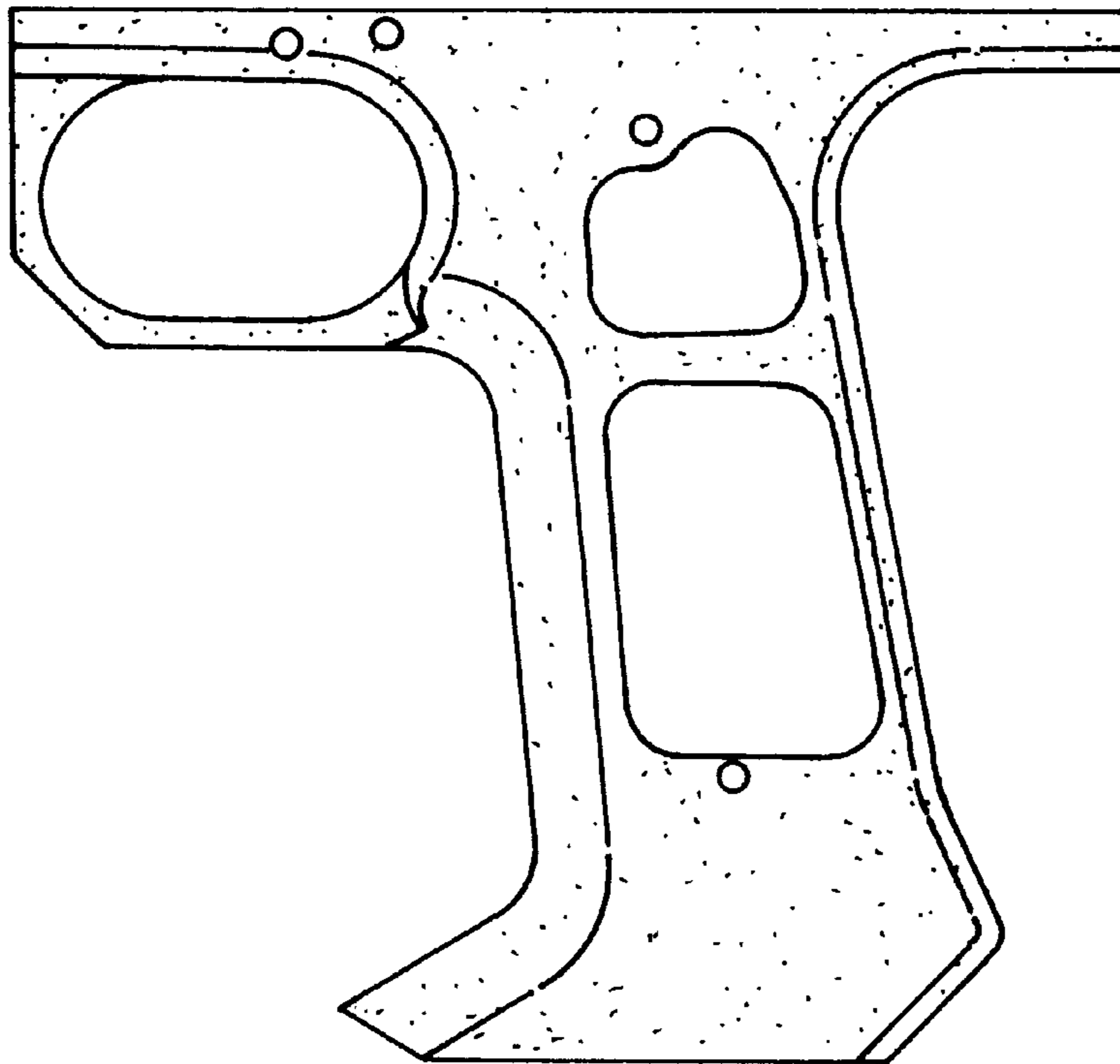


FIG. 5



FIG. 6

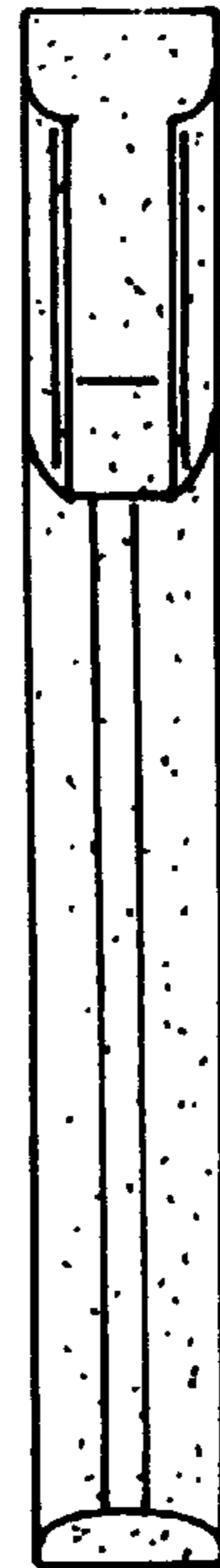


FIG. 7

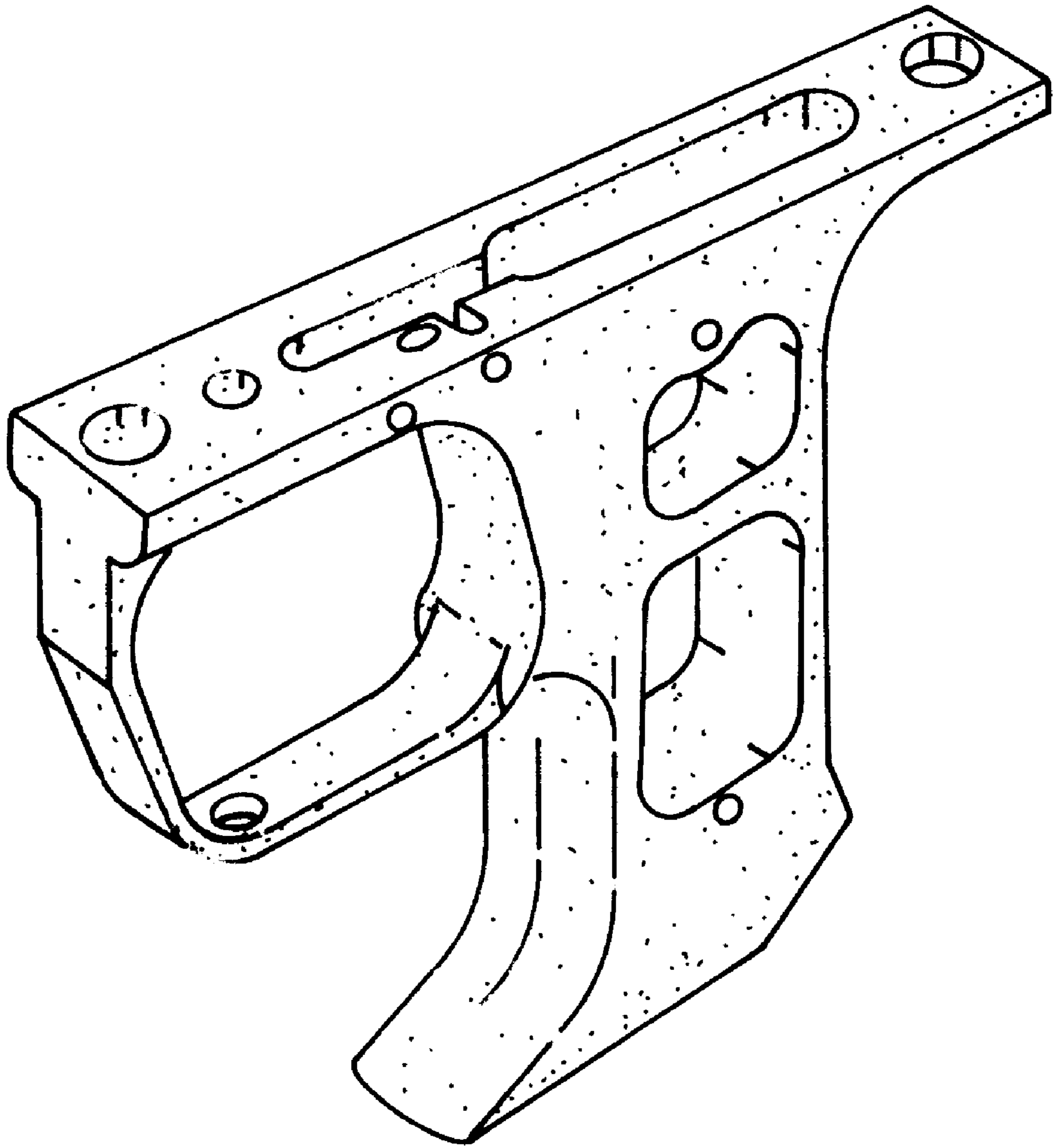


FIG. 8