



US00D441407S

(12) **United States Design Patent**
Goldman

(10) **Patent No.:** **US D441,407 S**

(45) **Date of Patent:** **** May 1, 2001**

(54) **COLLAPSIBLE TOY**

(75) Inventor: **Michael J. Goldman**, Cherry Hill, NJ (US)

(73) Assignee: **Goldman Toy Group, Inc.**, Cherry Hill, NJ (US)

(*) Notice: This patent is subject to a terminal disclaimer.

(**) Term: **14 Years**

(21) Appl. No.: **29/112,533**

(22) Filed: **Oct. 19, 1999**

Related U.S. Application Data

(63) Continuation-in-part of application No. 29/084,524, filed on Mar. 5, 1998, now Pat. No. Des. 434,457, which is a continuation-in-part of application No. 08/795,756, filed on Feb. 6, 1997, now Pat. No. 5,797,815.

(51) **LOC (7) Cl.** **21-01**

(52) **U.S. Cl.** **D21/398; D21/440**

(58) **Field of Search** **D21/398, 440; 446/46, 220-226; 472/134**

(56) **References Cited**

U.S. PATENT DOCUMENTS

D. 234,525 * 3/1975 Maloney, II D21/398
2,864,201 * 12/1958 Leise 446/46
5,797,815 8/1998 Goldman et al. .

* cited by examiner

Primary Examiner—Dominic Simone

(74) *Attorney, Agent, or Firm*—Norman E. Lehrer

(57) **CLAIM**

The ornamental design for a “collapsible toy”, as shown and described.

DESCRIPTION

FIG. 1 is a top plan view of a “collapsible toy” showing my new design;

FIG. 2 is a bottom plan view thereof;

FIG. 3 is an elevational view of one side of thereof, the other side being a mirror image;

FIG. 4 is an elevational view of the “collapsible toy”, said toy having been rotated from the position shown in FIG. 3 by approximately 30° about an axis passing through the top and bottom ends of the toy;

FIG. 5 is a front perspective view thereof showing the top, front and side, the bottom, rear and other side being a mirror image thereof;

FIG. 6 is a front perspective view thereof showing the top and side, the bottom and other side being a mirror image thereof;

FIG. 7 is a top plan view showing the “collapsible toy” in an alternate configuration;

FIG. 8 is a bottom plan view of the alternate configuration;

FIG. 9 is a front elevational view of the alternate configuration, the back elevational view being a mirror image thereof;

FIG. 10 is a front perspective view showing the front and side of the alternate configuration; and,

FIG. 11 is a rear perspective view showing the rear and side of the alternate configuration.

1 Claim, 6 Drawing Sheets

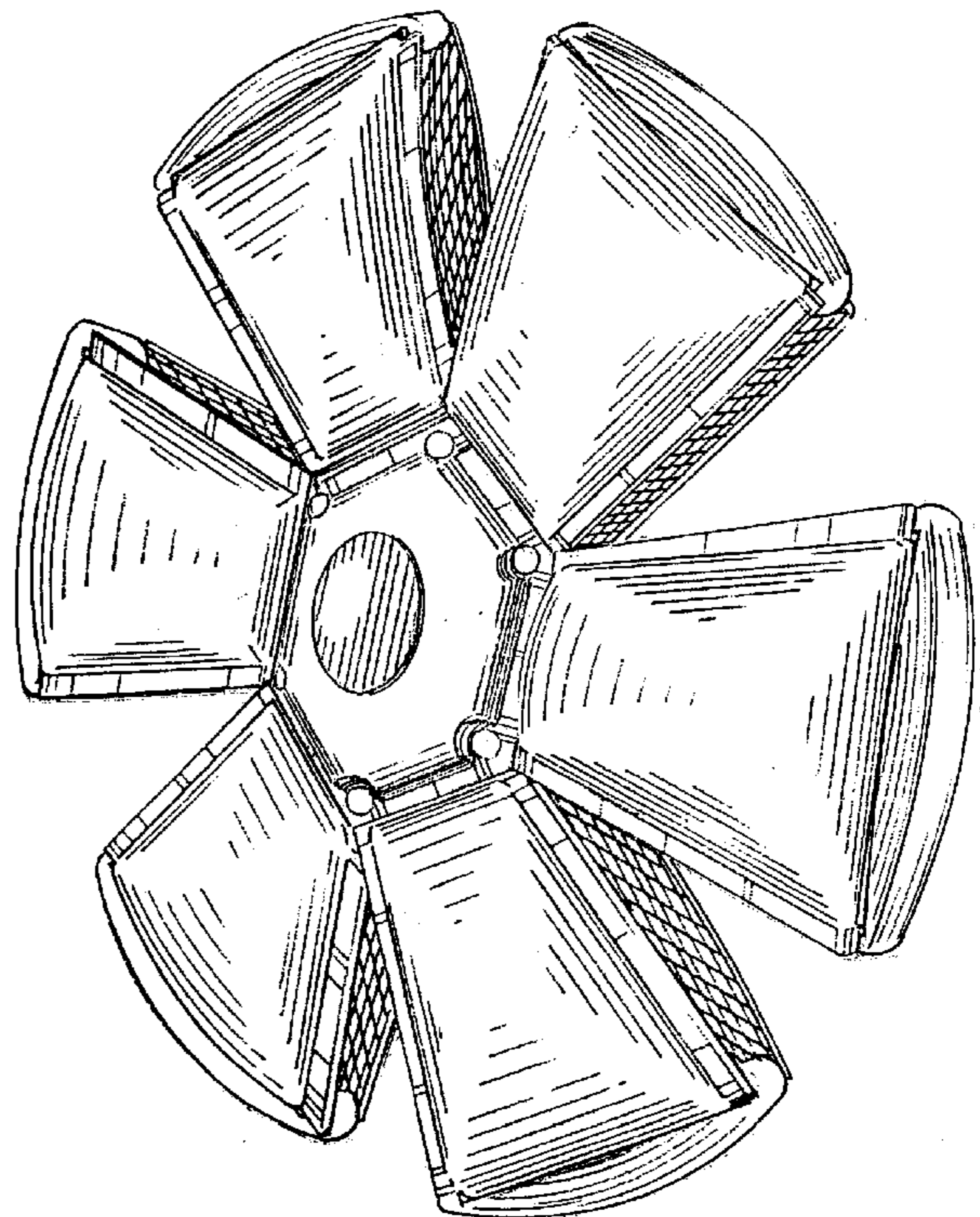
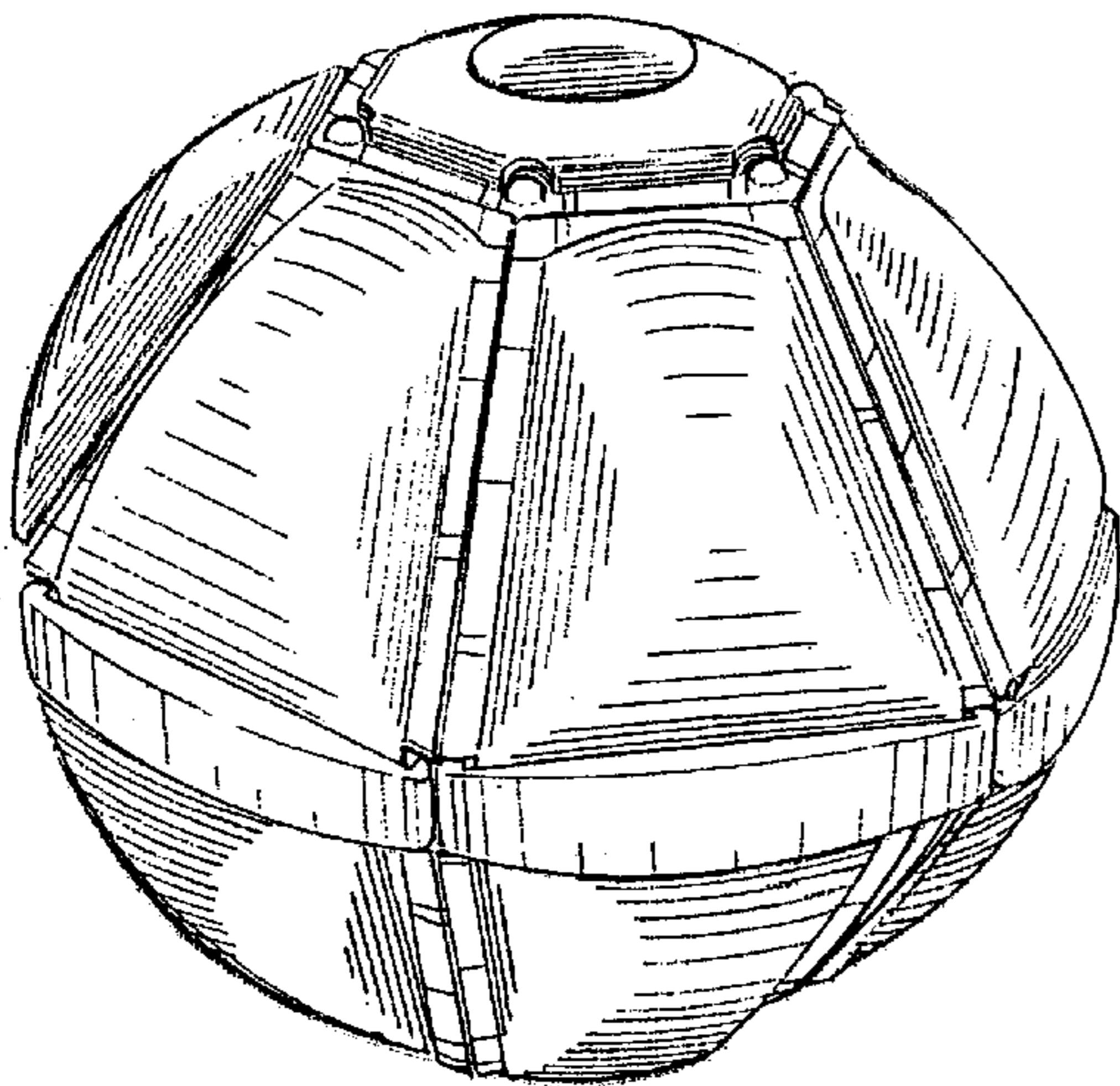


FIG. 1

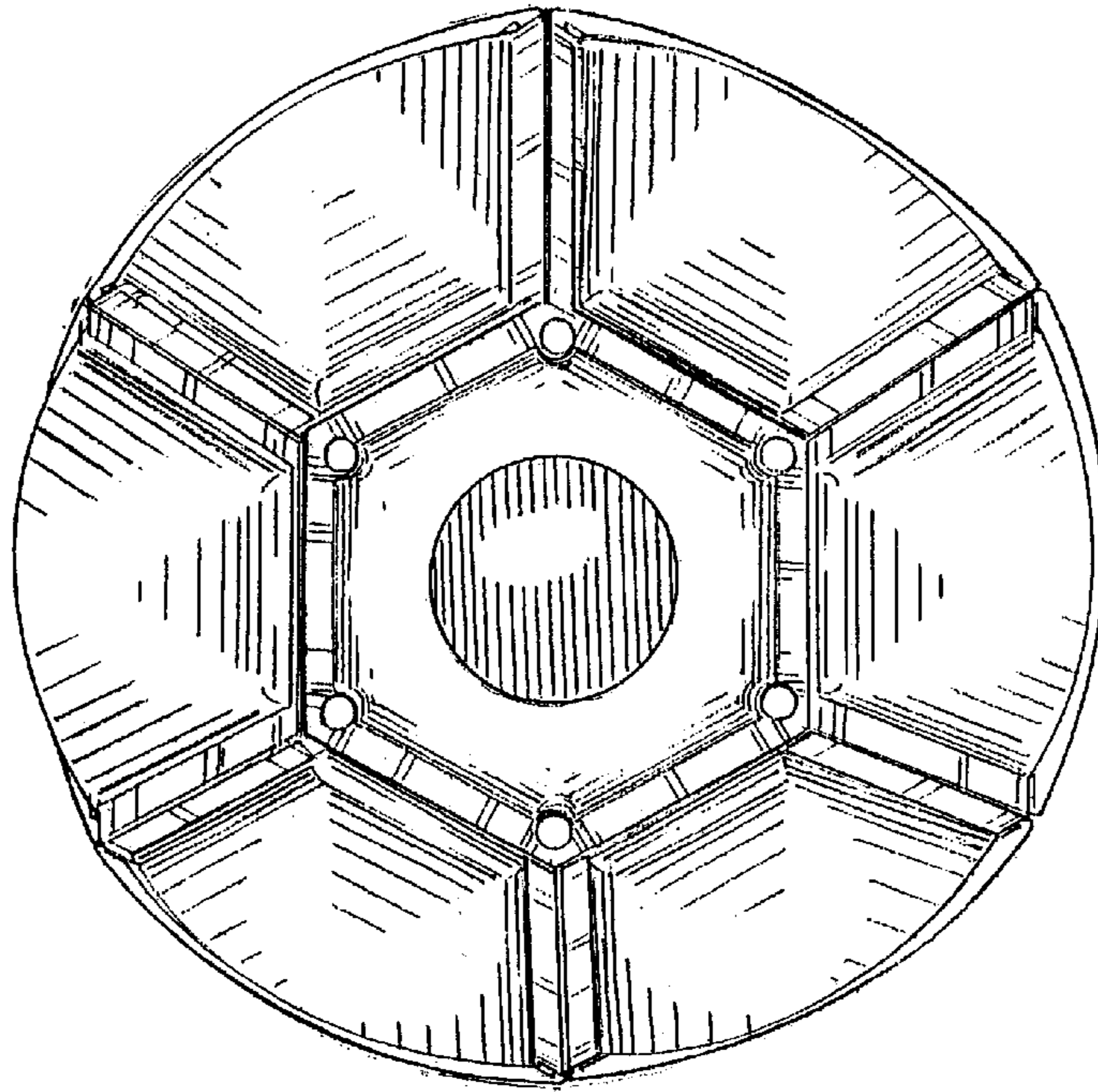


FIG. 2

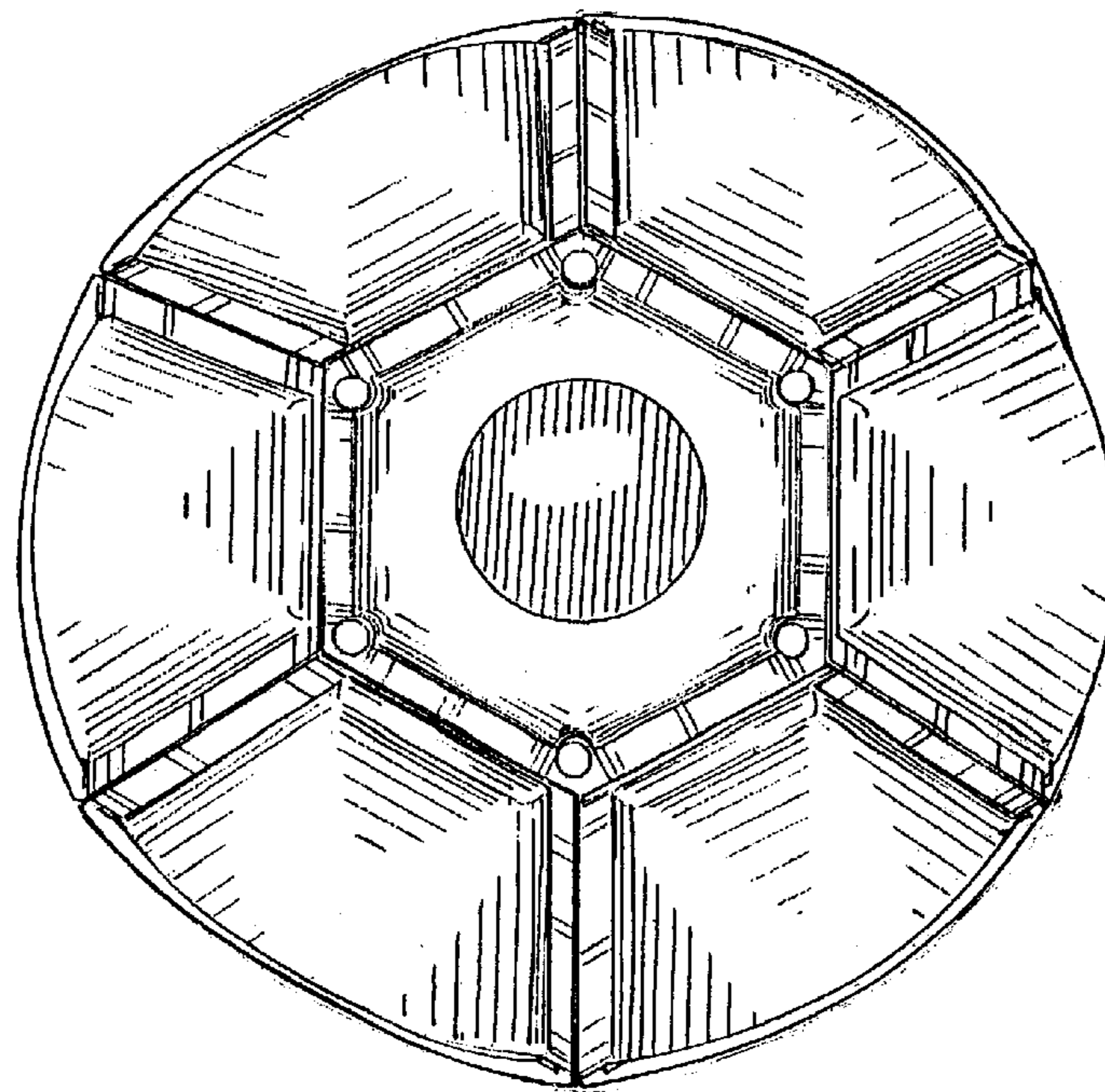


FIG. 3

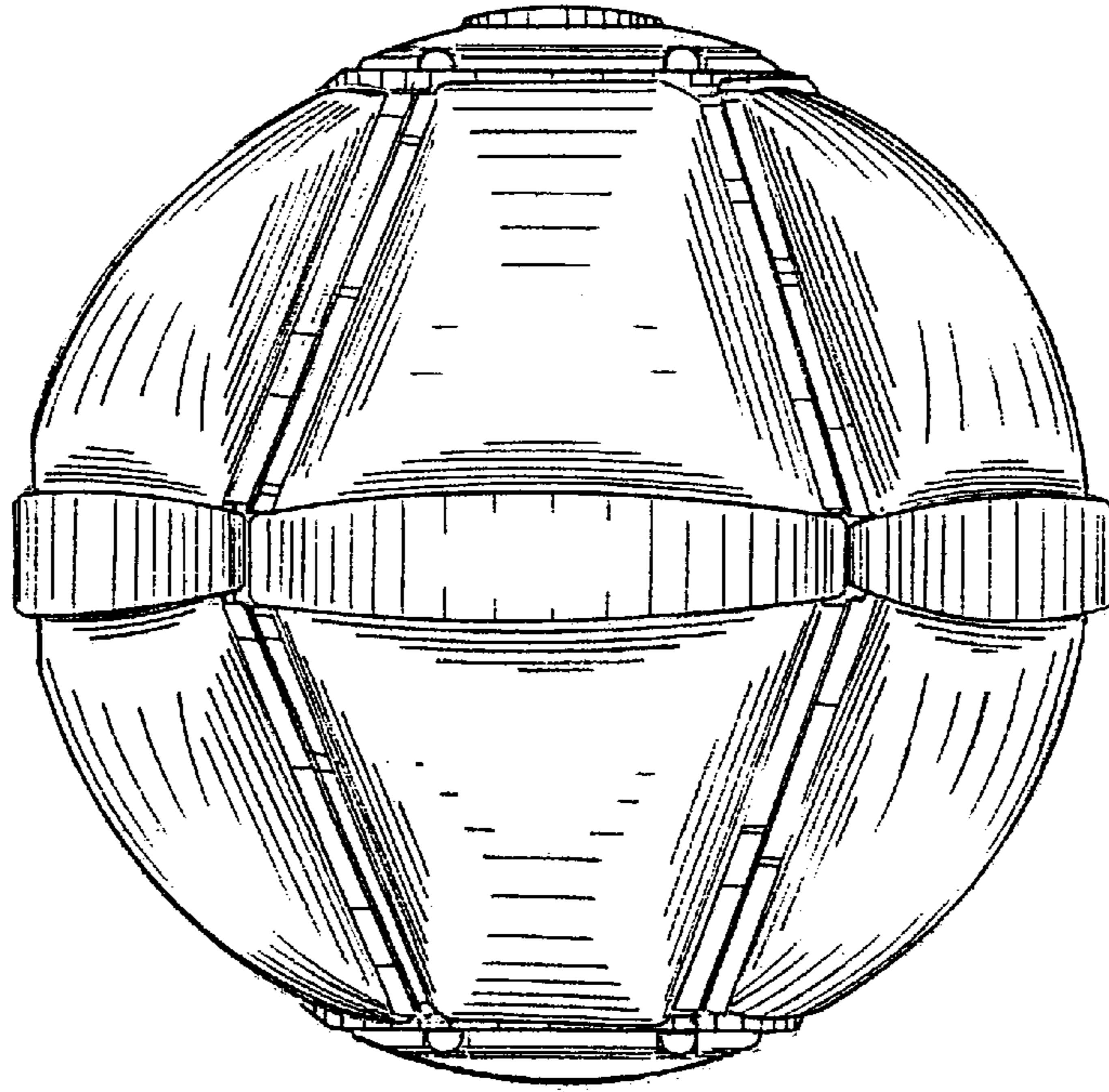


FIG. 4

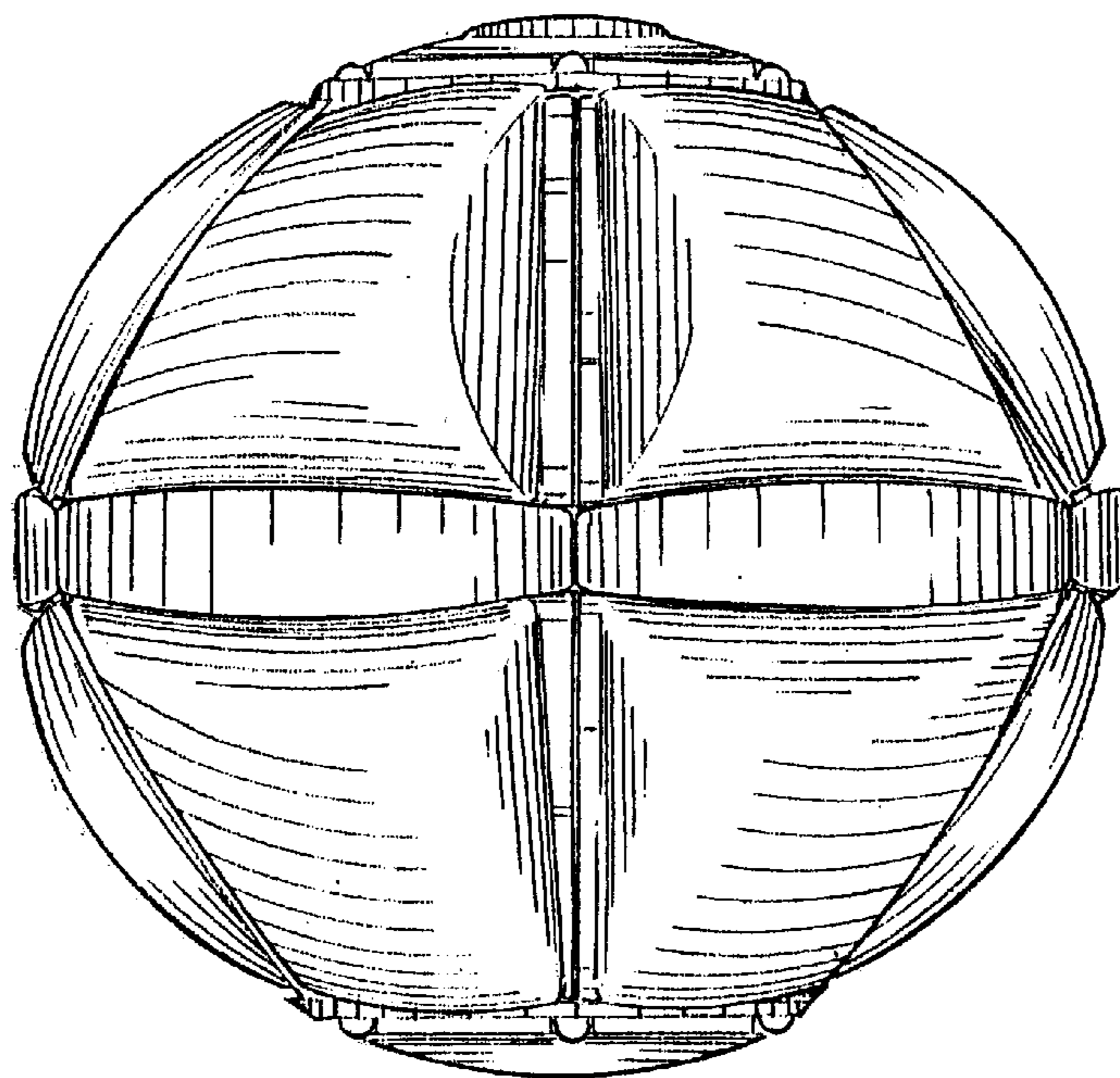


FIG. 5

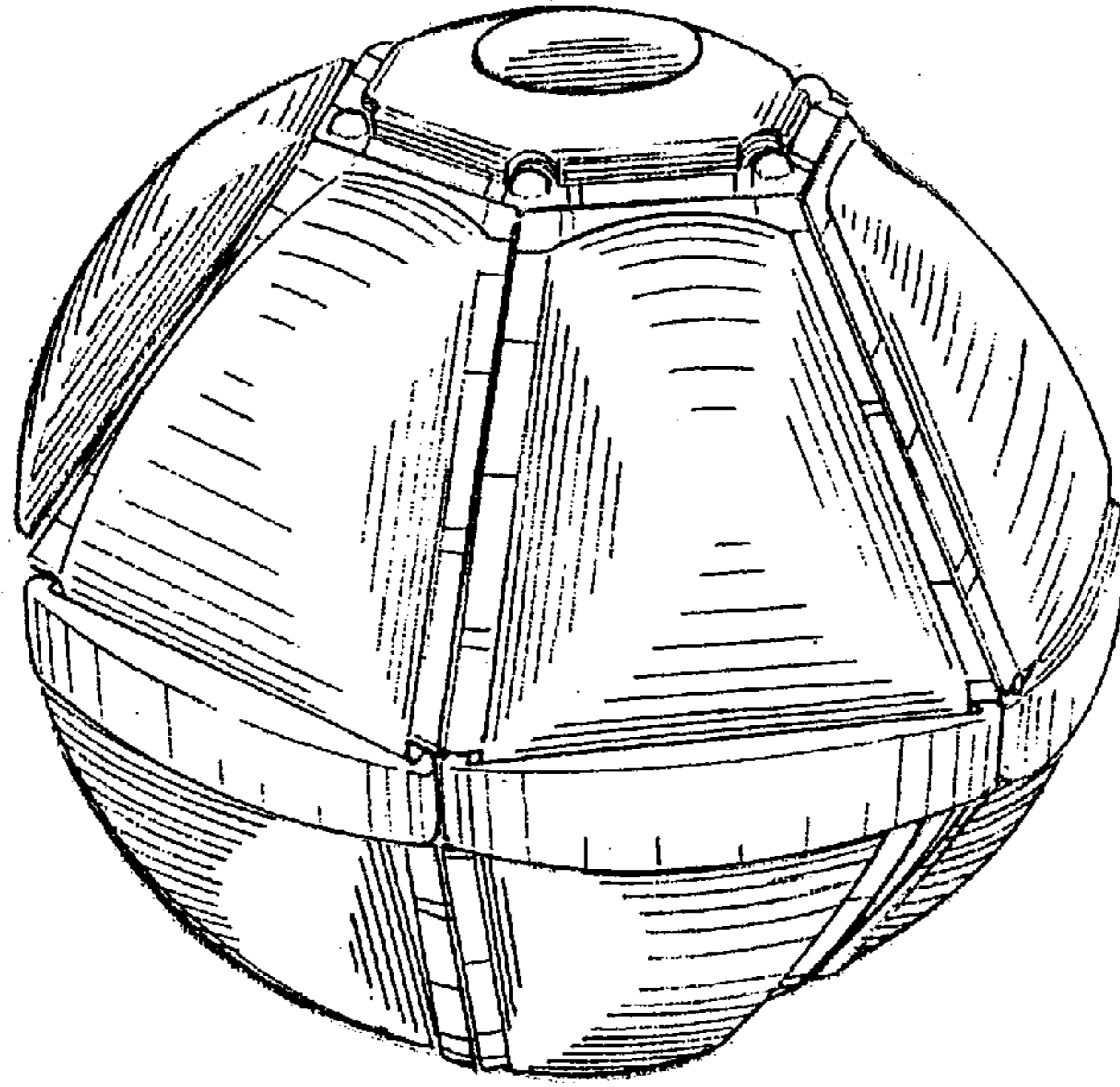


FIG. 6

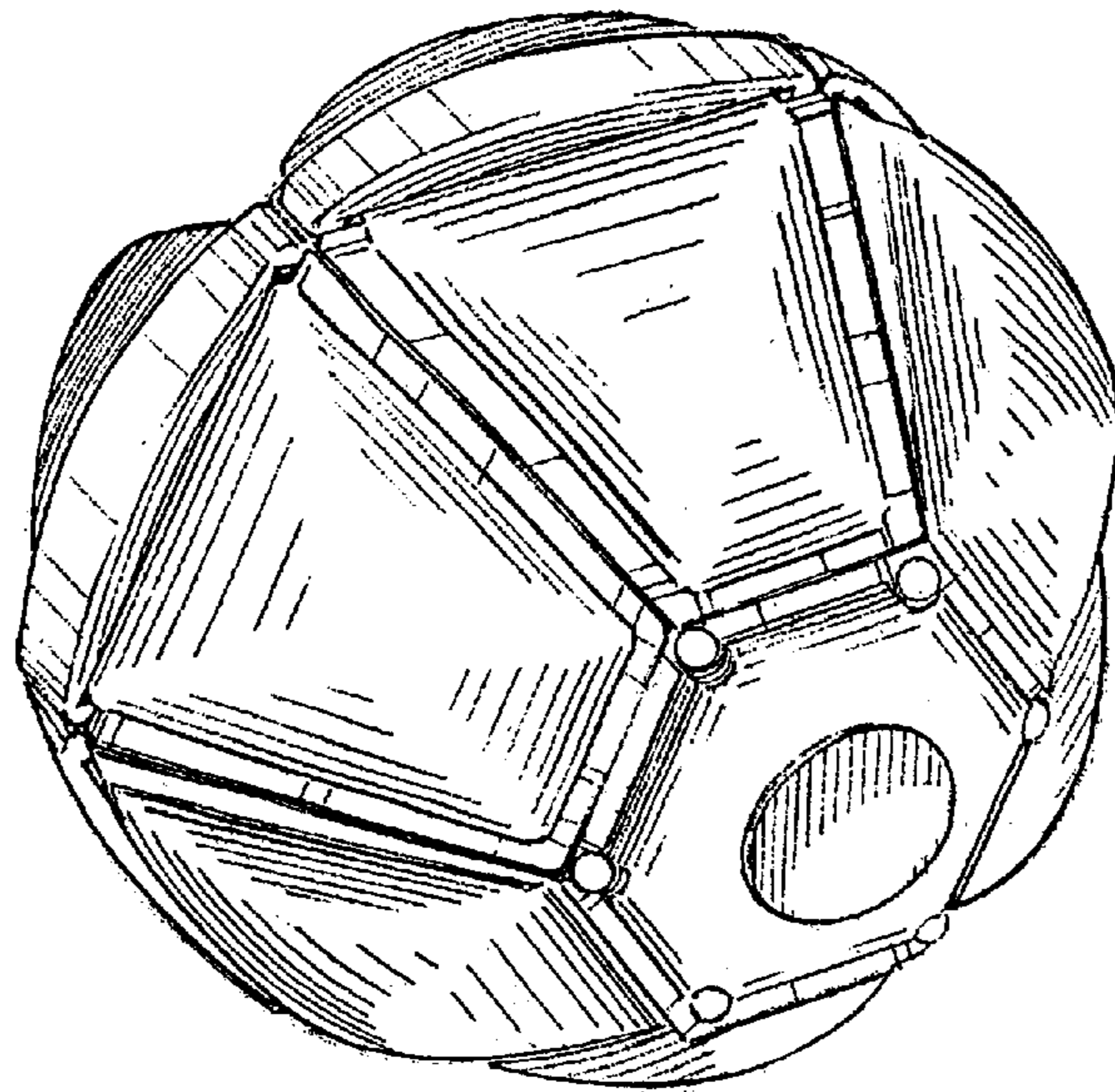


FIG. 7

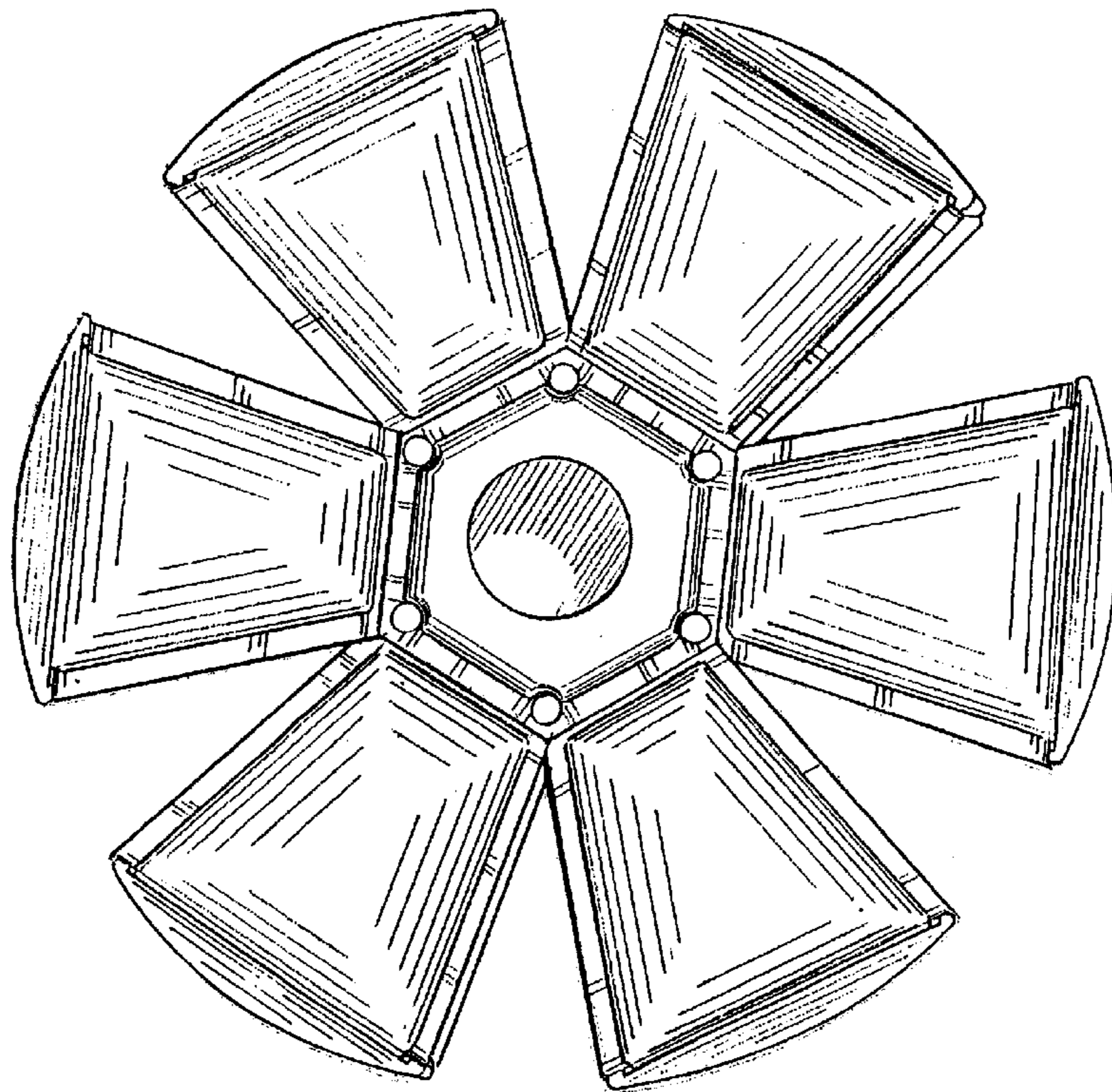


FIG. 8

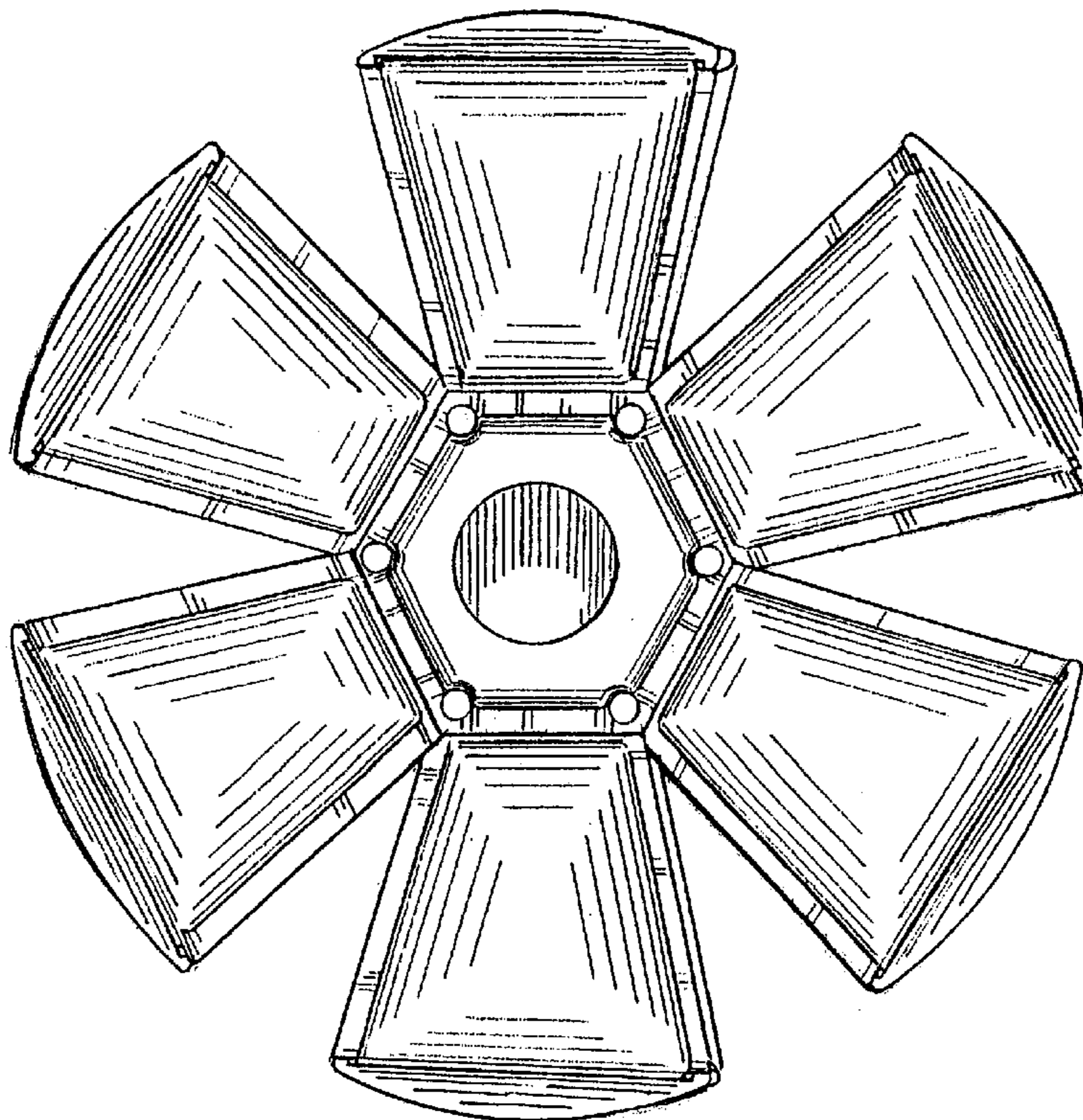


FIG. 9

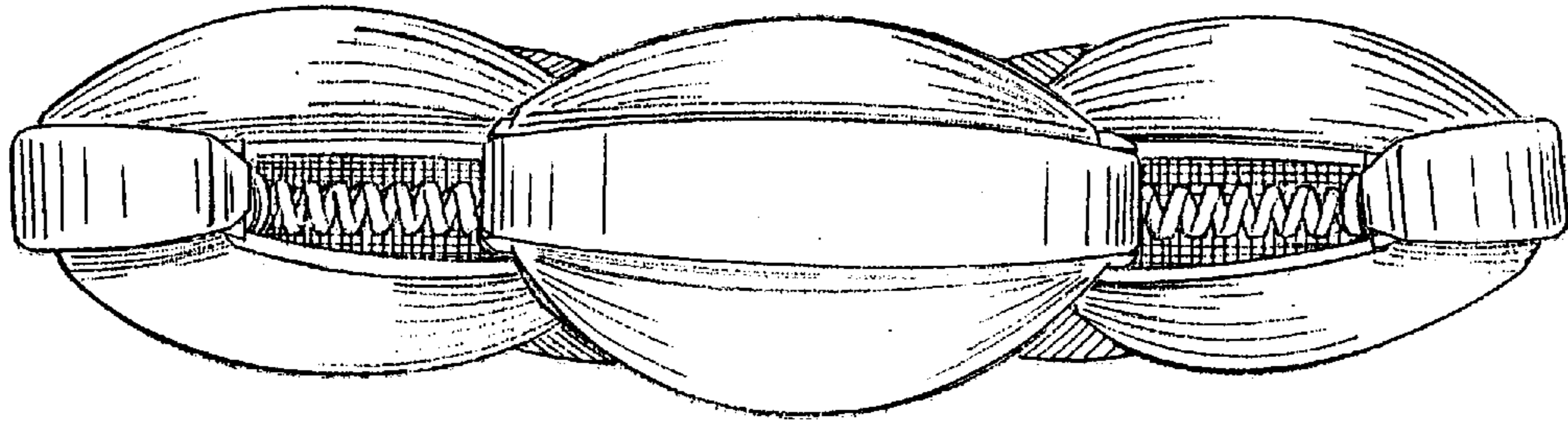


FIG. 10

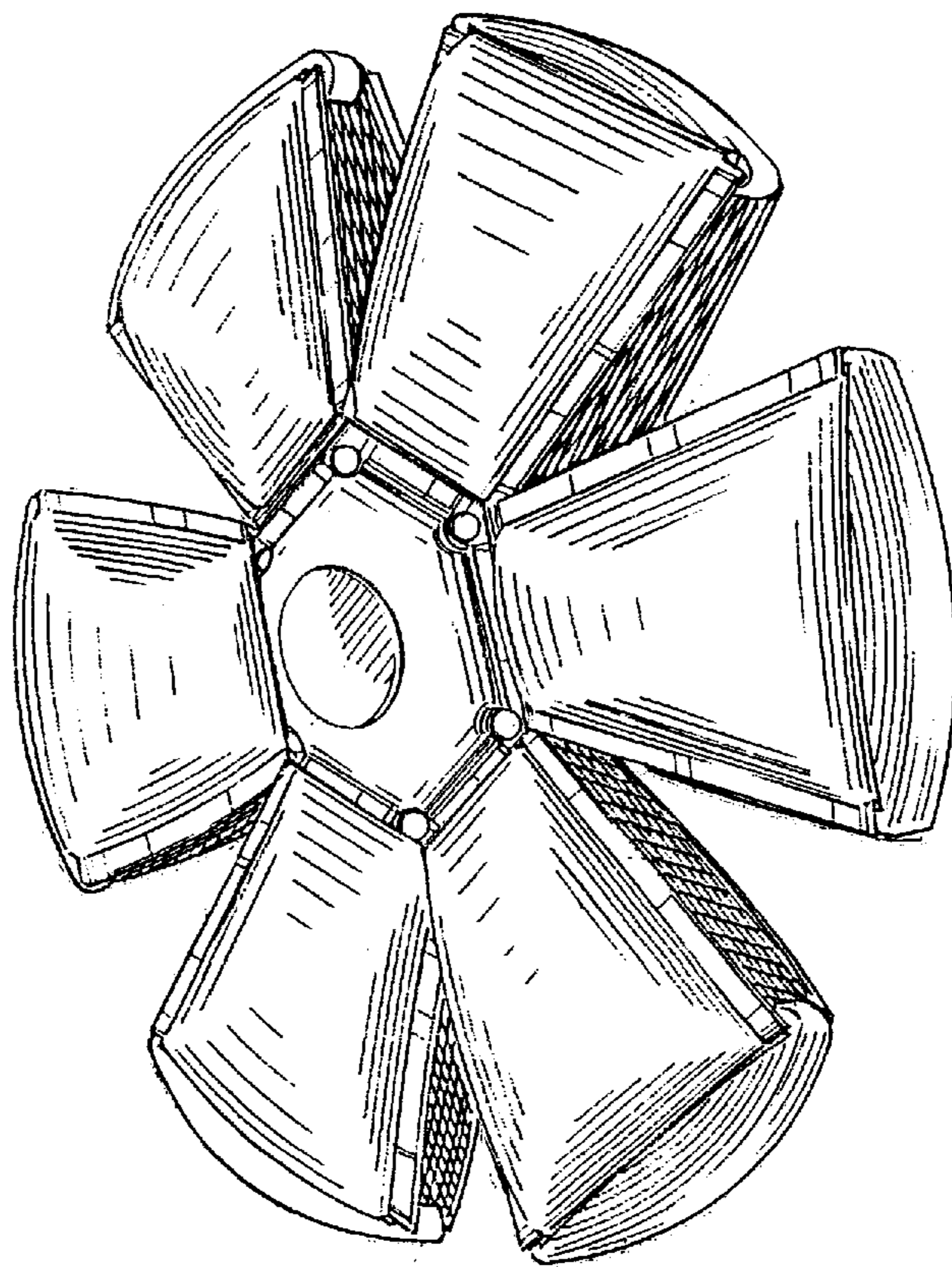


FIG. 11

