



US00D441404S

(12) **United States Design Patent**
Okimoto

(10) **Patent No.:** **US D441,404 S**

(45) **Date of Patent:** **** May 1, 2001**

(54) **CONTROLLER FOR VIDEO GAMES**

5,207,791 5/1993 Scherbarth 273/148 B

5,805,138 6/1999 Brawne et al. 273/148 B

(75) Inventor: **Masakazu Okimoto**, Tokyo (JP)

5,841,426 11/1998 Dodson et al. 345/163

(73) Assignees: **ASCII Corporation; Opus Corporation**, both of Tokyo (JP)

Primary Examiner—Prabhakar Deshmukh

(74) *Attorney, Agent, or Firm*—Kolisch Hartwell Dickinson McCormack & Heuser

(**) Term: **14 Years**

(57) **CLAIM**

(21) Appl. No.: **29/126,263**

The ornamental design for the controller for video games, as shown and described.

(22) Filed: **Jul. 11, 2000**

(30) **Foreign Application Priority Data**

DESCRIPTION

Feb. 17, 2000 (JP) 12-002839

FIG. 1 is a top plan view of a controller for video games.

(51) **LOC (7) Cl.** **21-01**

FIG. 2 is a front elevation view thereof; the rear elevation view is identical with the front elevational view.

(52) **U.S. Cl.** **D21/333**

FIG. 3 is a bottom plan view thereof.

(58) **Field of Search** D21/324-333;
D14/400, 401, 412-416, 496; 273/148 B,
119 A, 118 A; 463/1, 30-47, 49, 50, 51;
348/734; 345/161, 164; 455/352-355, 899

FIG. 4 is a left side elevation view thereof.

FIG. 5 is a right side elevation view thereof.

(56) **References Cited**

U.S. PATENT DOCUMENTS

D. 411,584	6/1999	Beyer	D21/329
D. 411,587	6/1999	Beyer	D21/333
D. 415,799	10/1999	Beyer	D14/400 X
D. 431,606	10/2000	Shimomura et al.	D21/333
4,494,754	1/1985	Wagner, Jr.	273/148 B
4,573,682	3/1986	Mayon	273/148 B

FIG. 6 is a cross sectional view taken along line 6-6 of FIG. 1 showing the horizontal cross section of the top plan view.

FIG. 7 is a referential right side view showing the controller attached to the analogue keys.

FIG. 8 is a referential view showing the controller sliding in the direction the arrow indicates; and,

FIG. 9 is a referential left side view showing two controllers with their hinges being twisted.

The broken lines are for illustrative purpose only and forms no part of the claimed design.

1 Claim, 2 Drawing Sheets

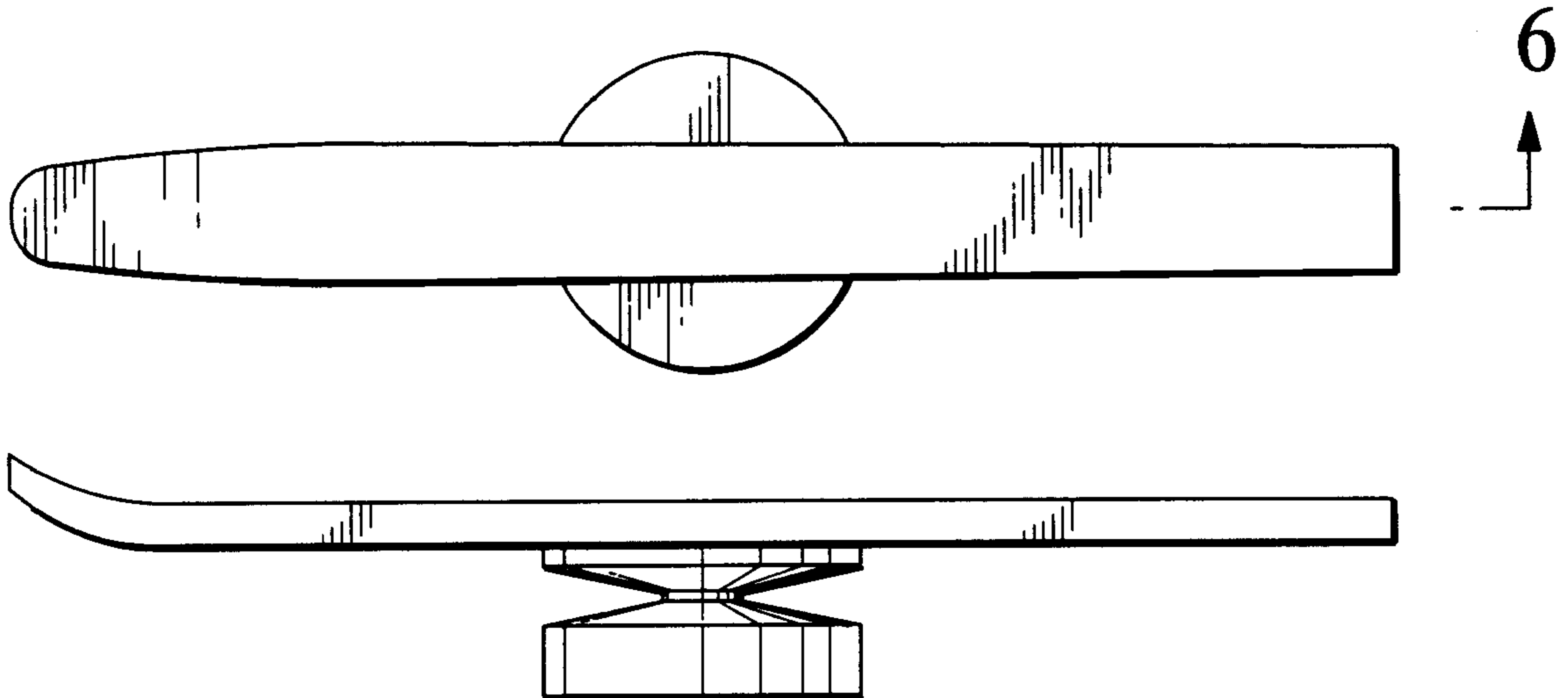


FIG. 1

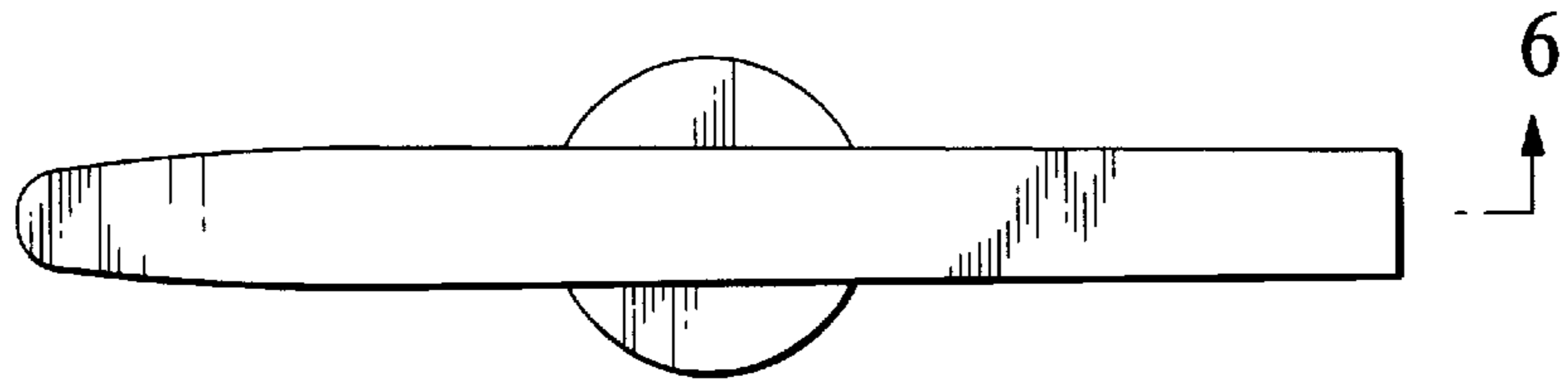


FIG. 2

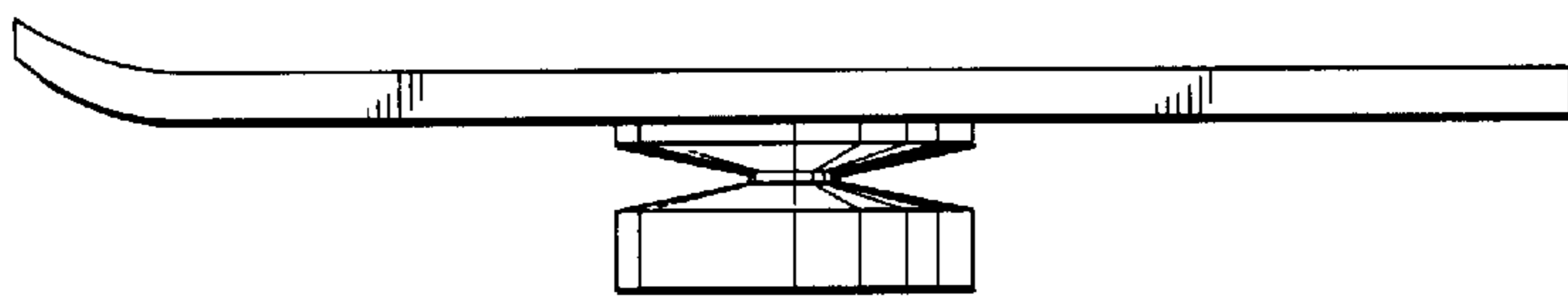


FIG. 3

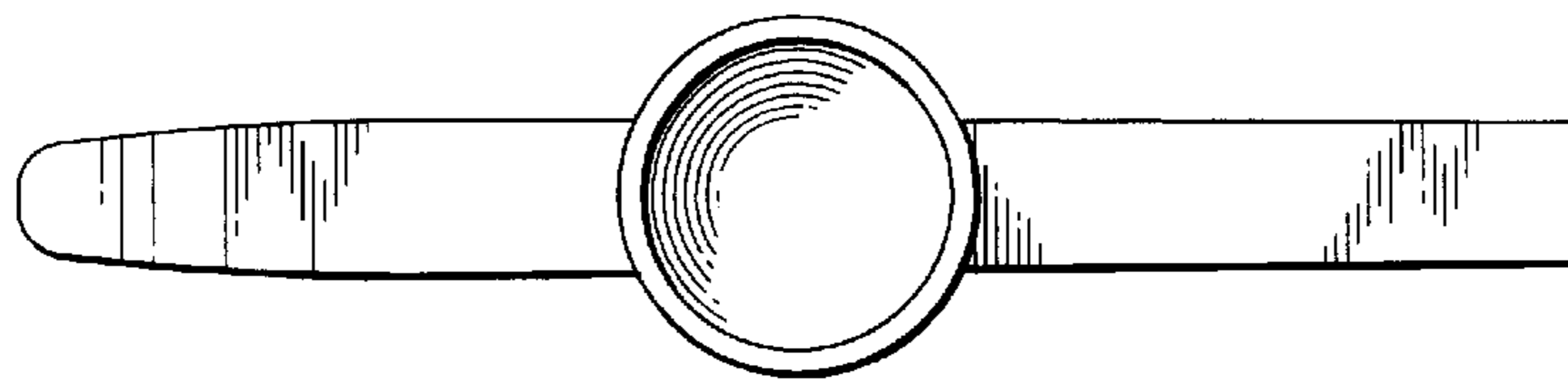


FIG. 4

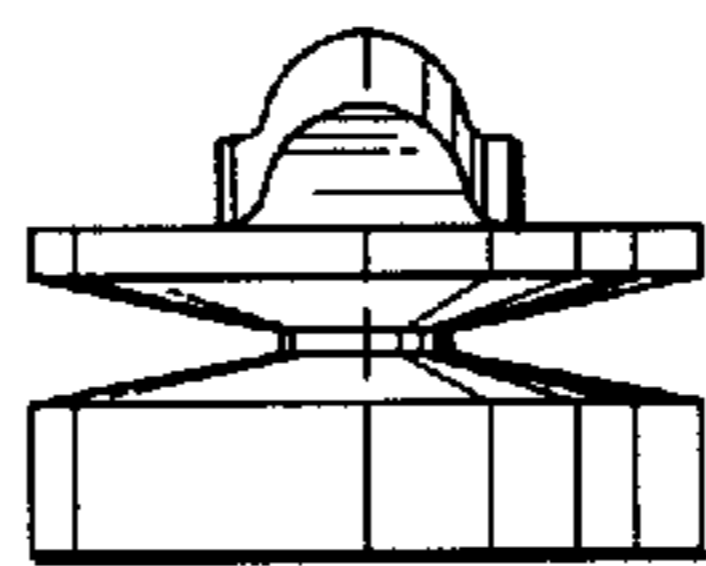


FIG. 5

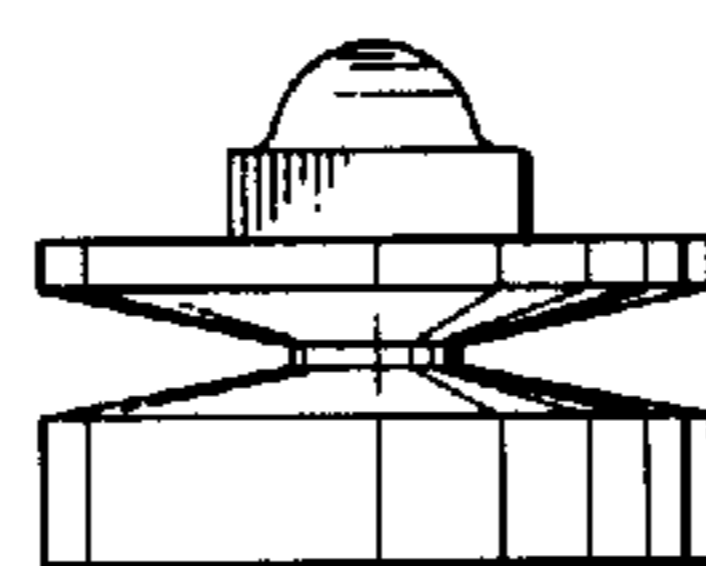


FIG. 6

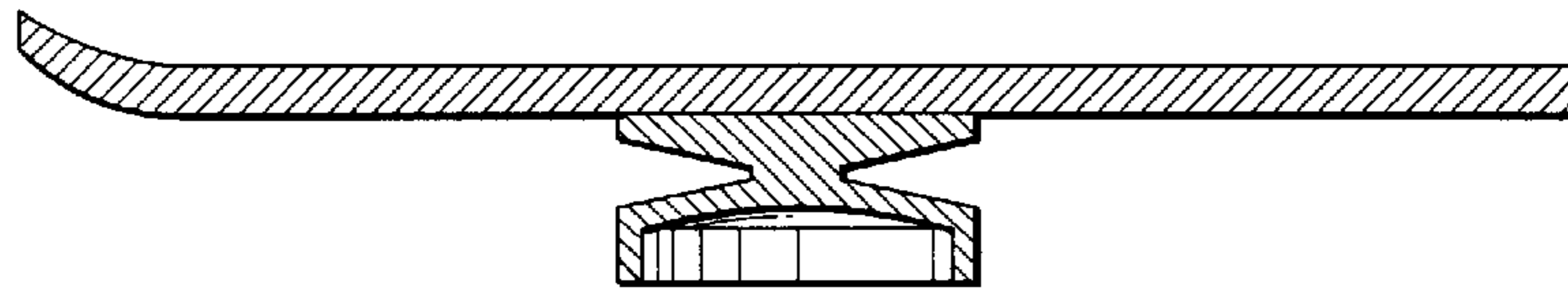


FIG. 7

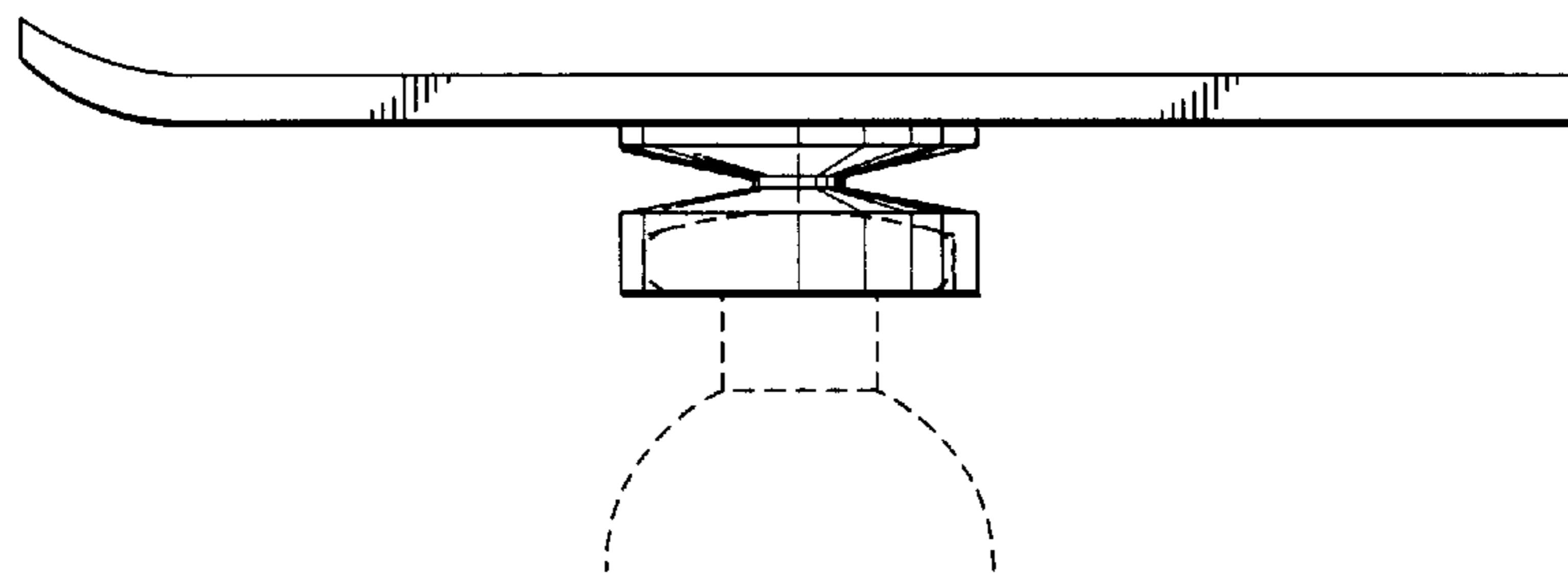


FIG. 8

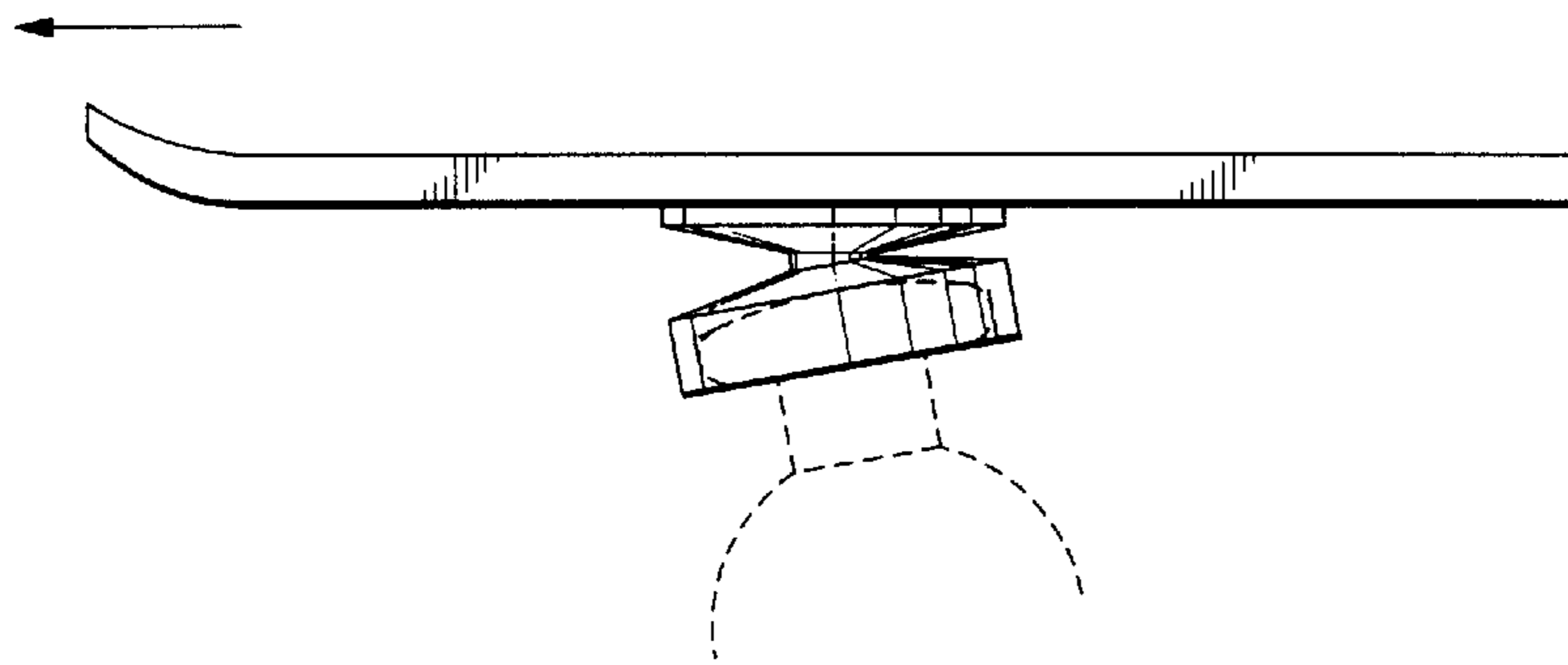


FIG. 9

