



US00D441403S

(12) **United States Design Patent**
Muraki et al.

(10) **Patent No.:** **US D441,403 S**

(45) **Date of Patent:** **** May 1, 2001**

(54) **OPERATING APPARATUS FOR GAME MACHINE**

(75) Inventors: **Hiroyuki Muraki; Toru Okubo; Tomoya Yamano**, all of Kobe (JP)

(73) Assignee: **Konami Co., Ltd.**, Tokyo (JP)

(**) Term: **14 Years**

(21) Appl. No.: **29/119,006**

(22) Filed: **Feb. 22, 2000**

(30) **Foreign Application Priority Data**

Aug. 31, 1999 (JP) 11-23407

(51) **LOC (7) Cl.** **21-01**

(52) **U.S. Cl.** **D21/333**

(58) **Field of Search** D21/324-333,
D21/344, 350, 385; 463/1, 9, 14, 15, 30-35,
46-50; 273/148 B, 237, 239, 283, 259;
446/417; 472/62

(56) **References Cited**

U.S. PATENT DOCUMENTS

- D. 325,938 * 5/1992 Stuhr D21/344
- D. 411,258 * 6/1999 Isetani et al. D21/328
- D. 421,774 * 3/2000 Toriyama D21/325

- 4,142,722 * 3/1979 Romano et al. 463/52
- 4,275,442 * 6/1981 Underwood et al. 463/9
- 4,850,591 * 7/1989 Takezawa et al. 463/3
- 5,299,810 * 4/1994 Pierce et al. 463/2
- 5,342,057 * 8/1994 Sorkoram 273/239
- 5,411,271 * 5/1995 Mirndo 463/9
- 5,584,763 * 12/1996 Kelly et al. 463/16
- 5,611,731 * 3/1997 Bouton et al. 273/148 B

* cited by examiner

Primary Examiner—Prabhakar Deshmukh

(74) *Attorney, Agent, or Firm*—Jordan and Hamburg LLP

(57) **CLAIM**

The ornamental design for an operating apparatus for game machine, as shown and described.

DESCRIPTION

FIG. 1 is a perspective view of an operating apparatus for game machine;
 FIG. 2 is a front view thereof;
 FIG. 3 is a top view thereof;
 FIG. 4 is a bottom view thereof;
 FIG. 5 is a left side view thereof;
 FIG. 6 is a rear view thereof; and,
 FIG. 7 is a right side view thereof.
 The broken line indicates an undetermined length of a cable.

1 Claim, 3 Drawing Sheets

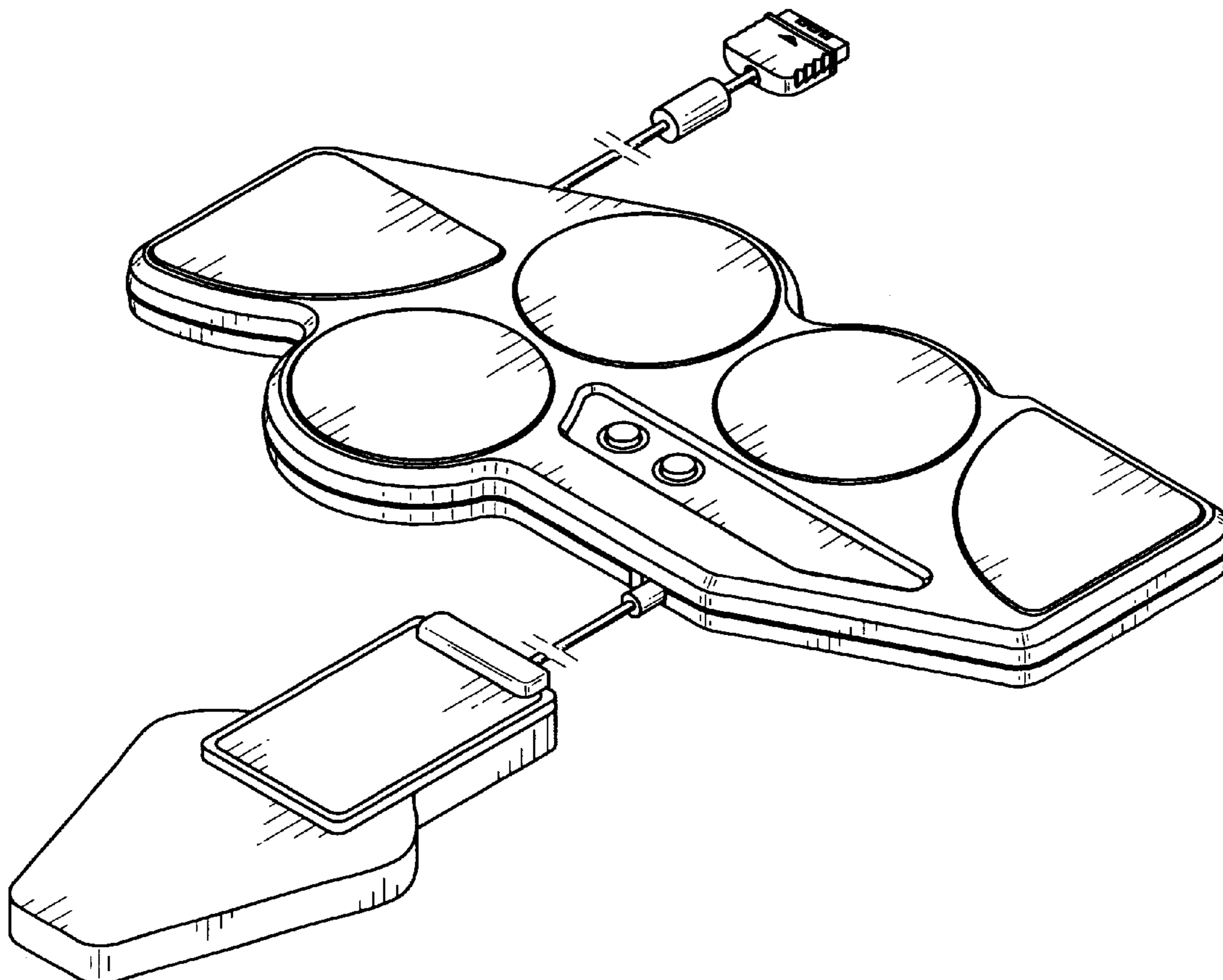


FIG. 1

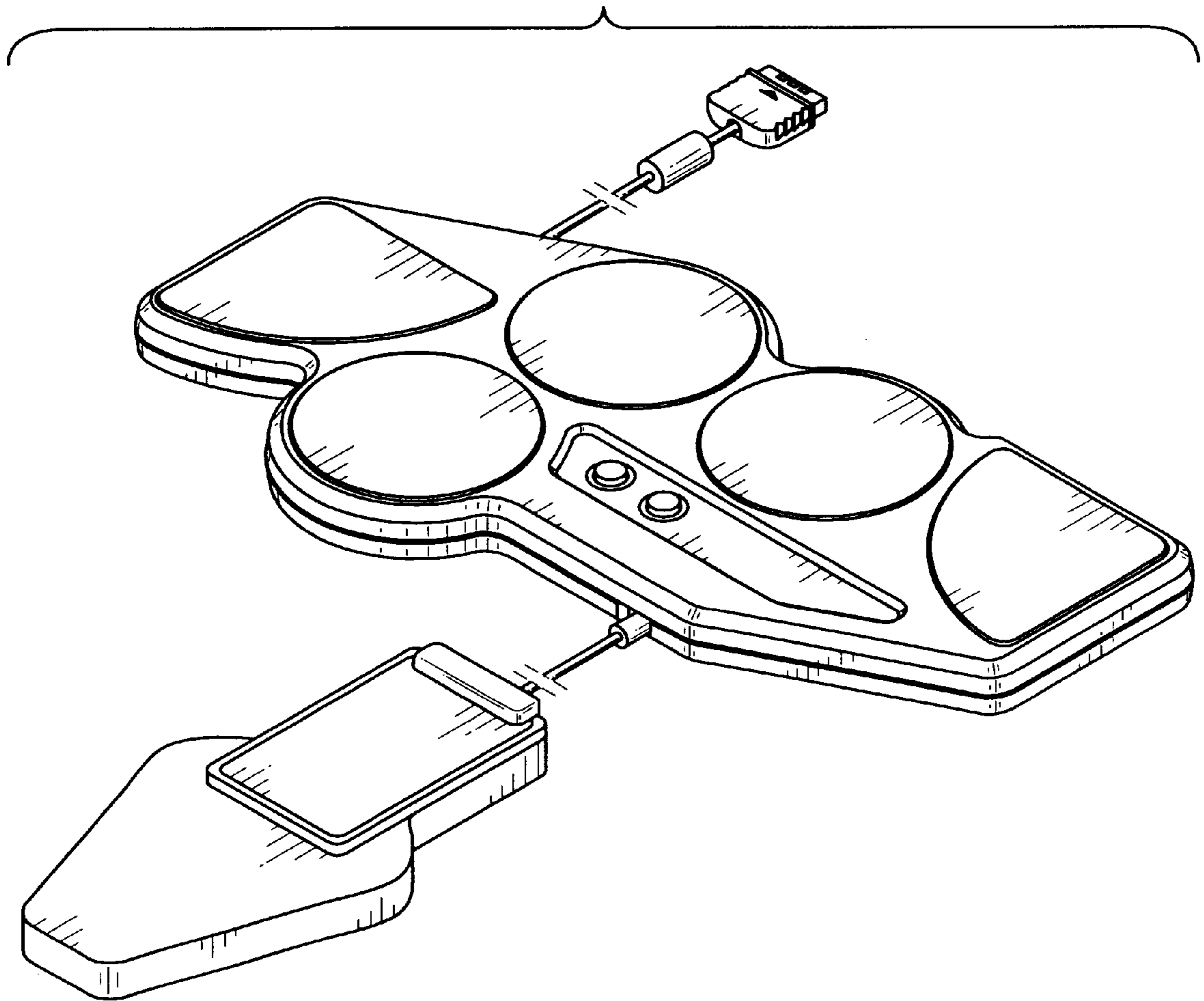


FIG. 3

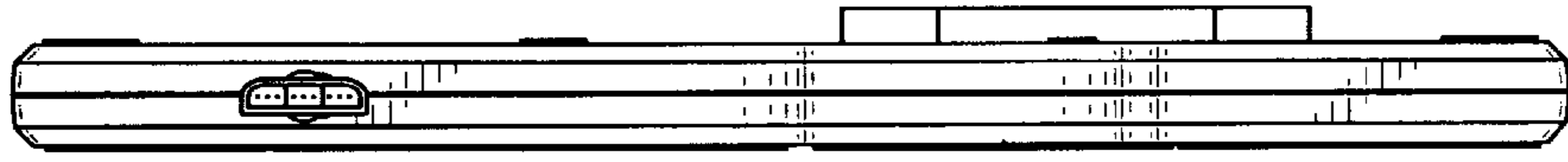


FIG. 2

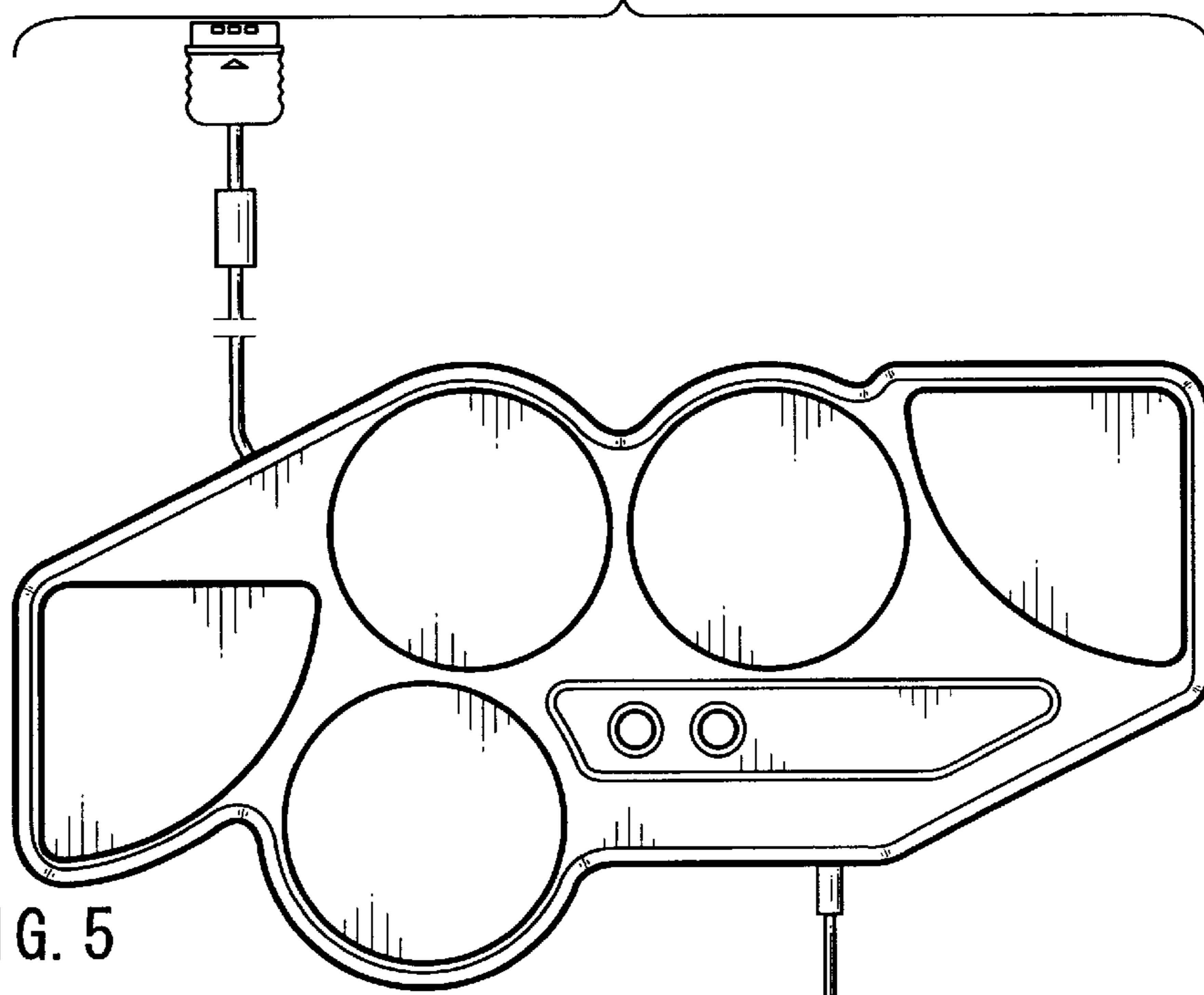


FIG. 5

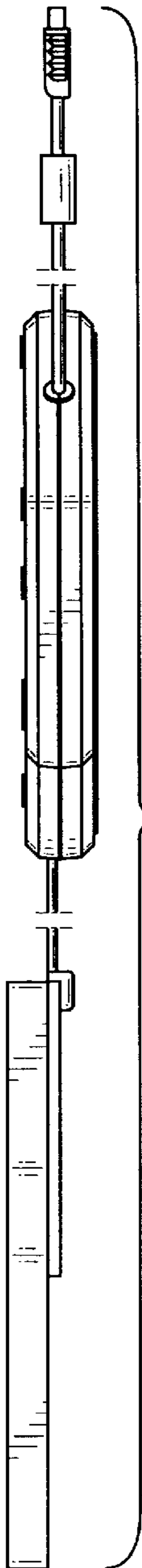


FIG. 4

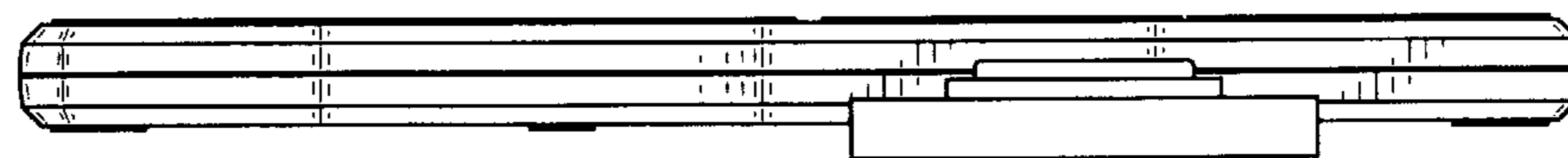


FIG. 6

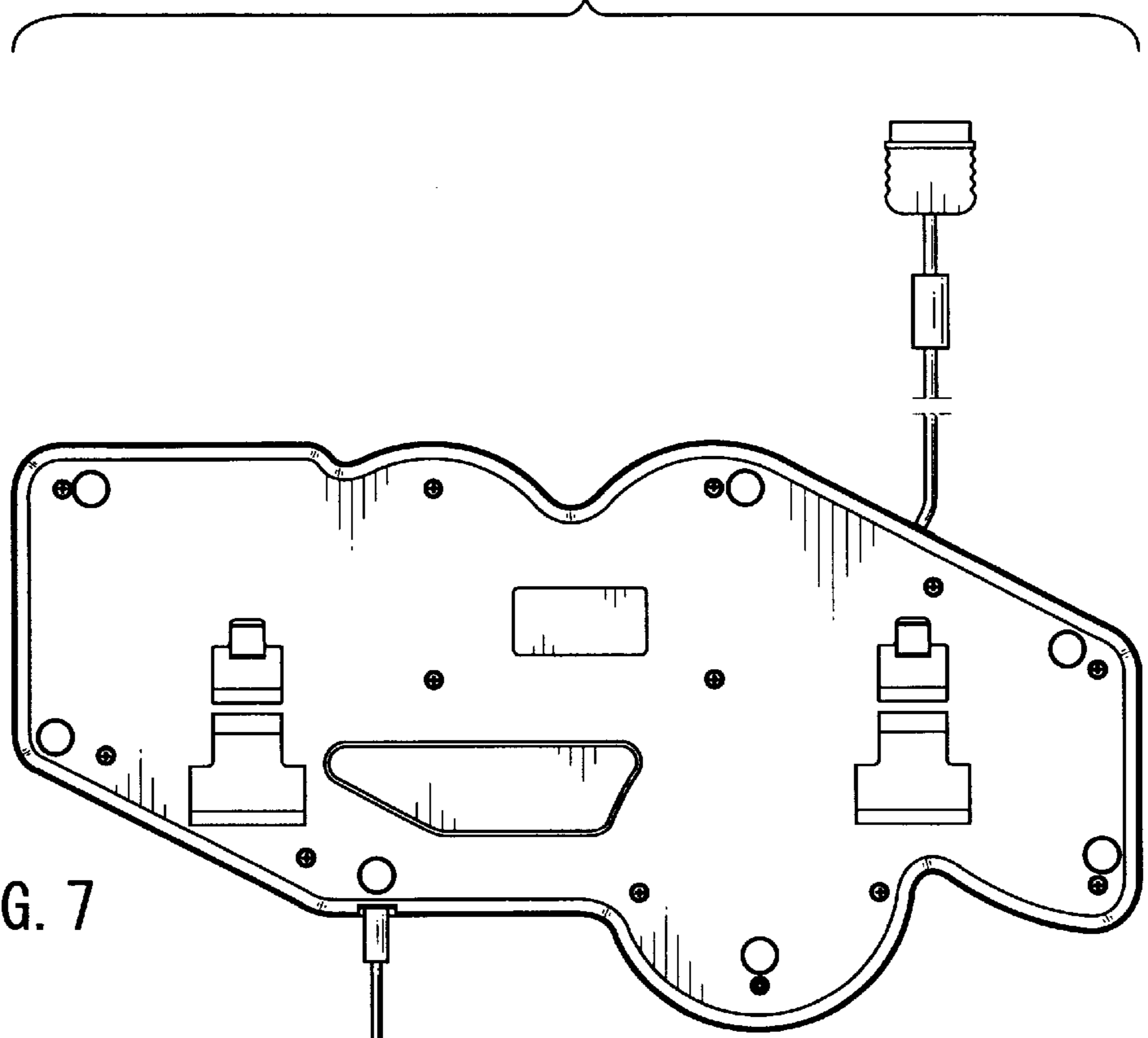


FIG. 7

