



US00D441402S

(12) **United States Design Patent**
Chesler

(10) **Patent No.: US D441,402 S**

(45) **Date of Patent: ** May 1, 2001**

(54) **DISPLAY STORAGE APPARATUS FOR SPORTS EQUIPMENT**

(76) Inventor: **Mark C. Chesler**, 4535 Encino Ave., Encino, CA (US) 91316

(**) Term: **14 Years**

(21) Appl. No.: **29/125,989**

(22) Filed: **Jul. 6, 2000**

(51) **LOC (7) Cl.** **19-08**

(52) **U.S. Cl.** **D20/10**

(58) **Field of Search** D20/10, 40, 41, D20/42, 43, 44; 40/642.02, 649, 653, 661, 584

(56) **References Cited**

U.S. PATENT DOCUMENTS

D. 418,878 * 1/2000 Donahue D20/10

D. 433,714 * 11/2000 Rosen et al. D20/10

* cited by examiner

Primary Examiner—Marcus A. Jackson

(74) *Attorney, Agent, or Firm*—Martin & Ferraro,LLP

(57) **CLAIM**

The ornamental design for display storage apparatus for sports equipment, as shown and described.

DESCRIPTION

FIG. 1 is a front elevation view of the display storage apparatus for sports equipment illustrating my new design, with a ball shown in broken lines for illustrative purposes only and forming no part of the claimed design;

FIG. 2 is a front elevation view thereof;

FIG. 3 is a left side elevation view thereof, with a ball shown in broken lines for illustrative purposes only and forming no part of the claimed design, the right side elevation view being a mirror image thereof;

FIG. 4 is a left side elevation view thereof, the right side elevation view being a mirror image thereof;

FIG. 5 is a top plan view thereof;

FIG. 6 is a bottom plan view thereof;

FIG. 7 is a front perspective view thereof;

FIG. 8 is a front elevation view of a second embodiment of my claimed design, with a ball shown in broken lines for illustrative purposes only and forming no part of the claimed design;

FIG. 9 is a front elevation view thereof;

FIG. 10 is a left side elevation view thereof, with a ball shown in broken lines for illustrative purposes only and

forming no part of the claimed design, the right side elevation view being a mirror image thereof;

FIG. 11 is a left side elevation view thereof, the right side elevation view being a mirror image thereof;

FIG. 12 is a top plan view thereof;

FIG. 13 is a bottom plan view thereof;

FIG. 14 is a front perspective view thereof;

FIG. 15 is a front elevation view of a third embodiment of my claimed design, with a ball shown in broken lines for illustrative purposes only and forming no part of the claimed design;

FIG. 16 is a front elevation view thereof;

FIG. 17 is a left side elevation view thereof, with a ball shown in broken lines for illustrative purposes only and forming no part of the claimed design, the right side elevation view being a mirror image thereof;

FIG. 18 is a left side elevation view thereof, the right side elevation view being a mirror image thereof;

FIG. 19 is a top plan view thereof;

FIG. 20 is a bottom plan view thereof;

FIG. 21 is a front perspective view thereof;

FIG. 22 is a left side elevation view of a fourth embodiment of my claimed design, with a ball and bat shown in broken lines for illustrative purposes only and forming no part of the claimed design, the right side elevation view being a mirror image thereof;

FIG. 23 is a left side elevation view thereof, the right side elevation view being a mirror image thereof;

FIG. 24 is a front elevation view thereof, with a ball and bat shown in broken lines for illustrative purposes only and forming no part of the claimed design;

FIG. 25 is a front elevation view thereof;

FIG. 26 is a top plan view thereof;

FIG. 27 is a bottom plan view thereof;

FIG. 28 is a front perspective view thereof;

FIG. 29 is a front elevation view of a fifth embodiment of my claimed design, with a ball shown in broken lines for illustrative purposes only and forming no part of the claimed design;

FIG. 30 is a front elevation view thereof;

FIG. 31 is a left side elevation view thereof, with a ball shown in broken lines for illustrative purposes only and forming no part of the claimed design, the right side elevation view being a mirror image thereof;

FIG. 32 is a left side elevation view thereof, the right side elevation view being a mirror image thereof;

FIG. 33 is a top plan view thereof;

FIG. 34 is a bottom plan view thereof; and,

FIG. 35 is a front perspective view thereof.

1 Claim, 13 Drawing Sheets

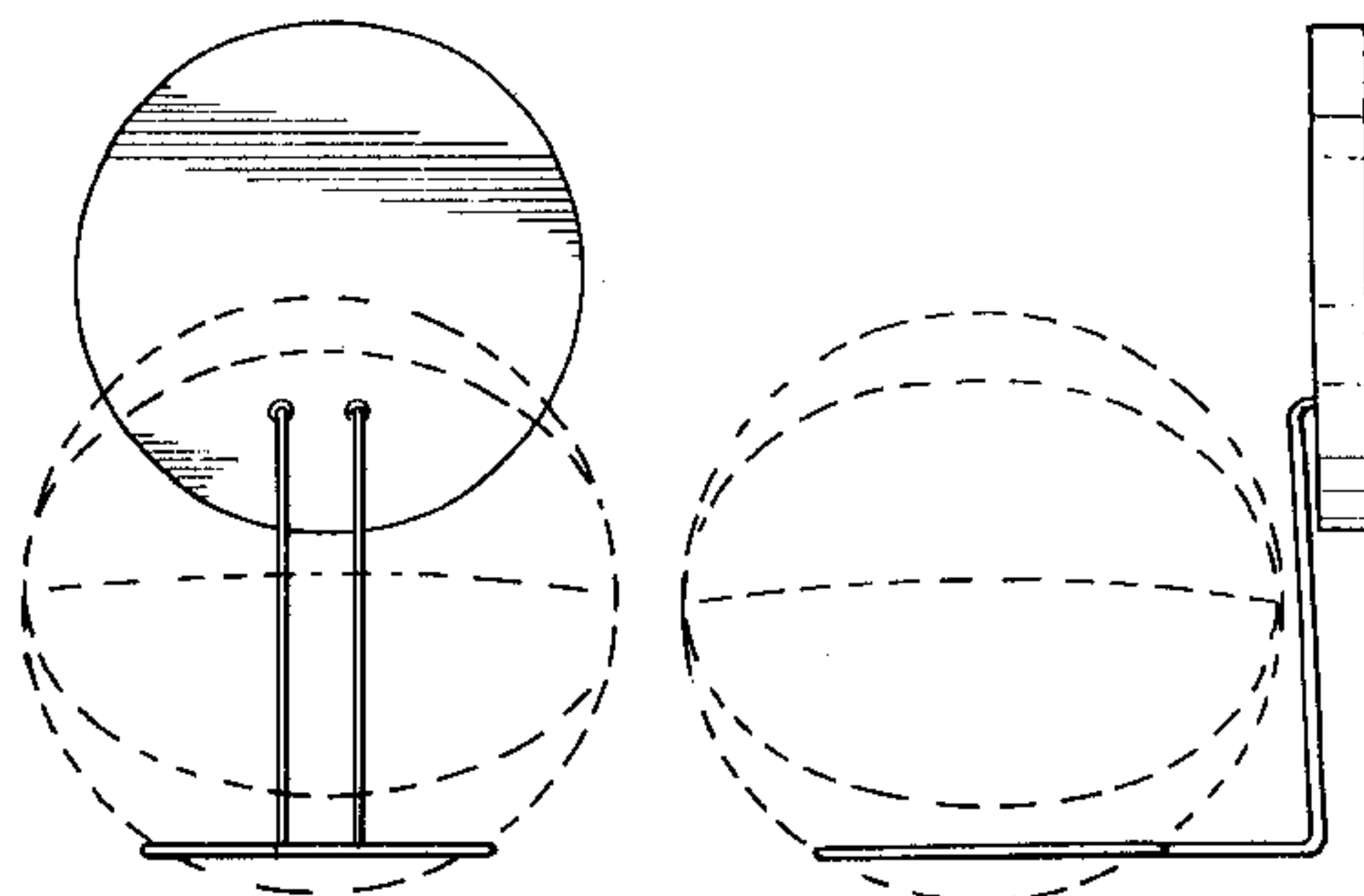


FIG. 1

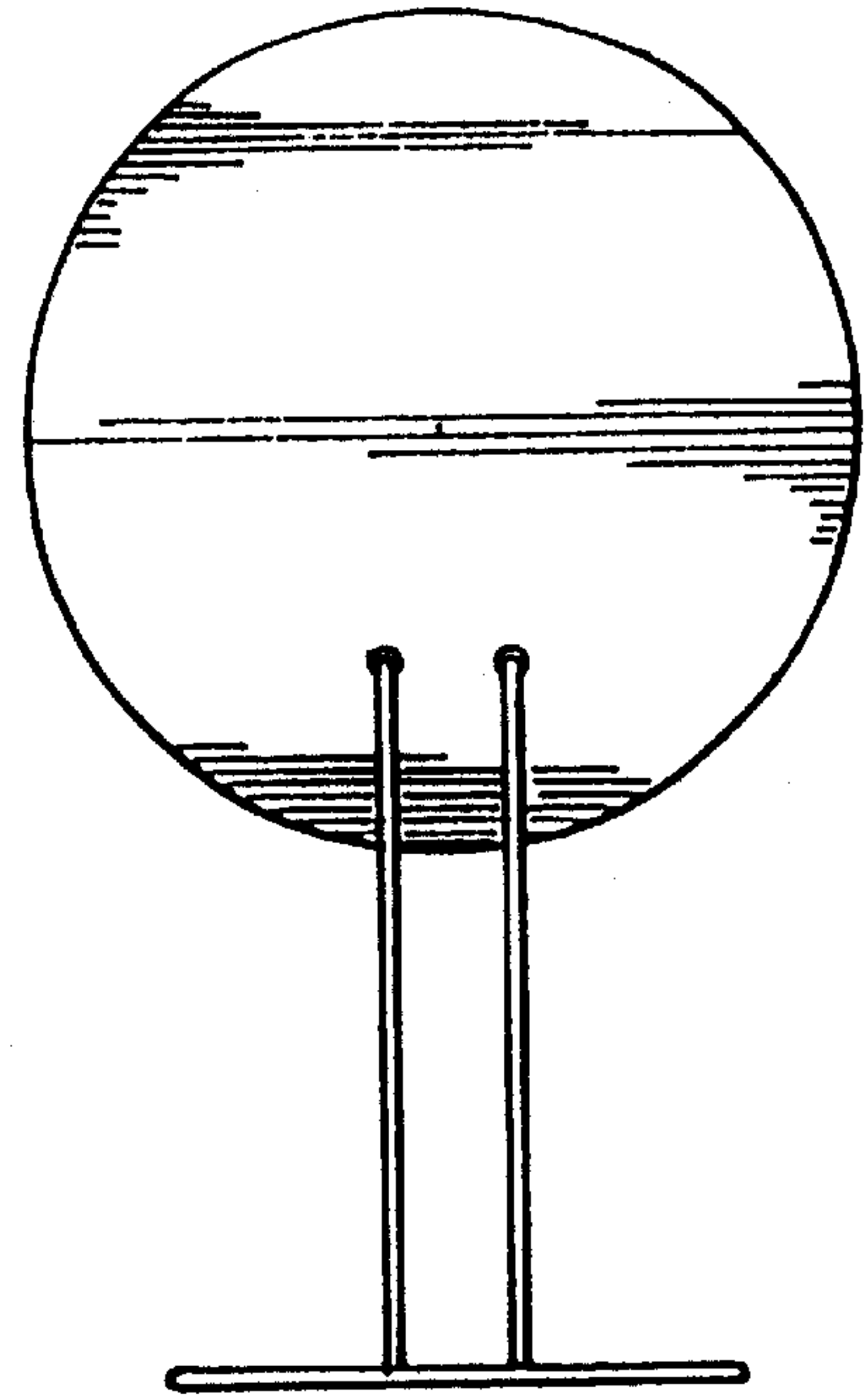
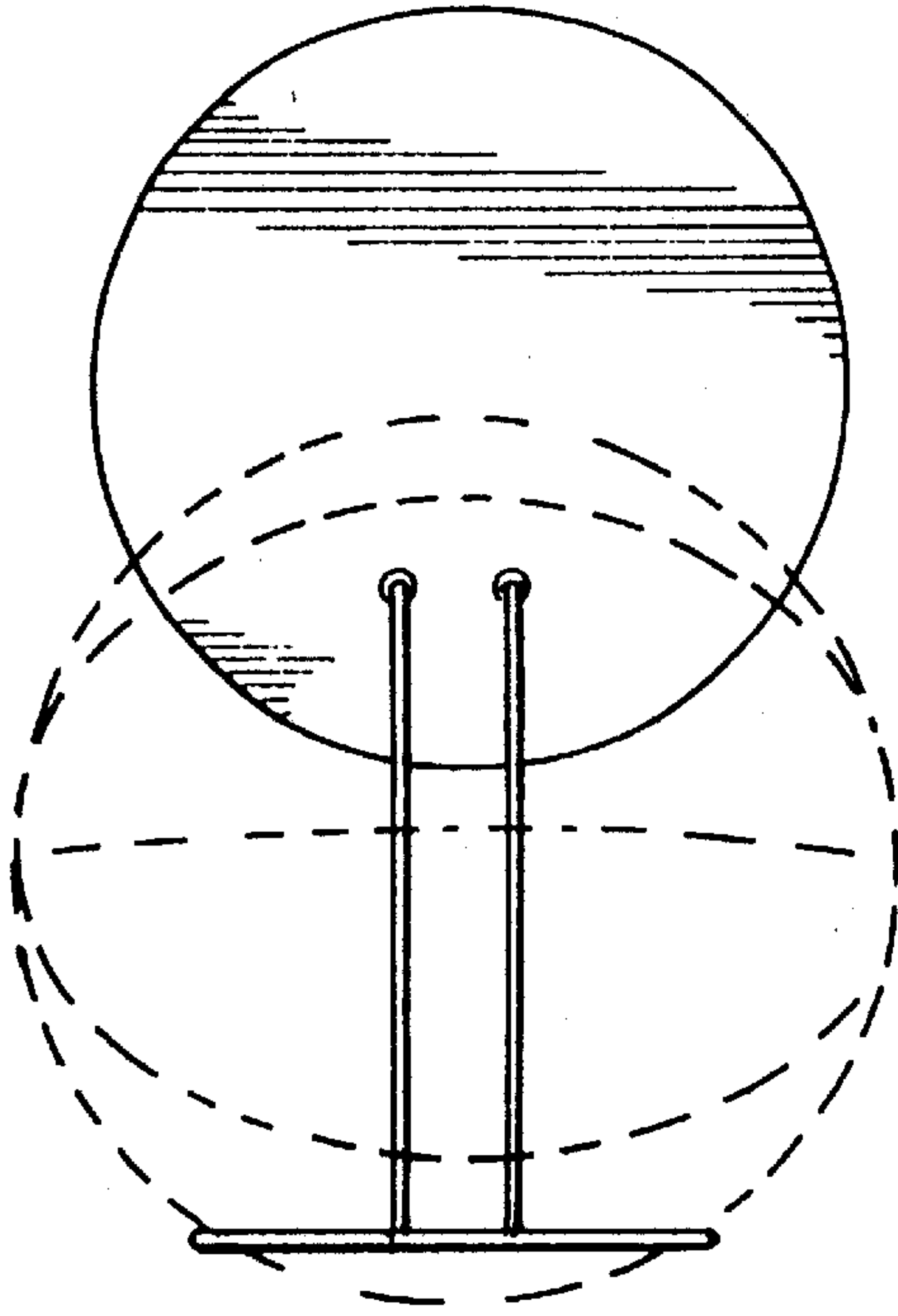


FIG. 2

FIG. 3

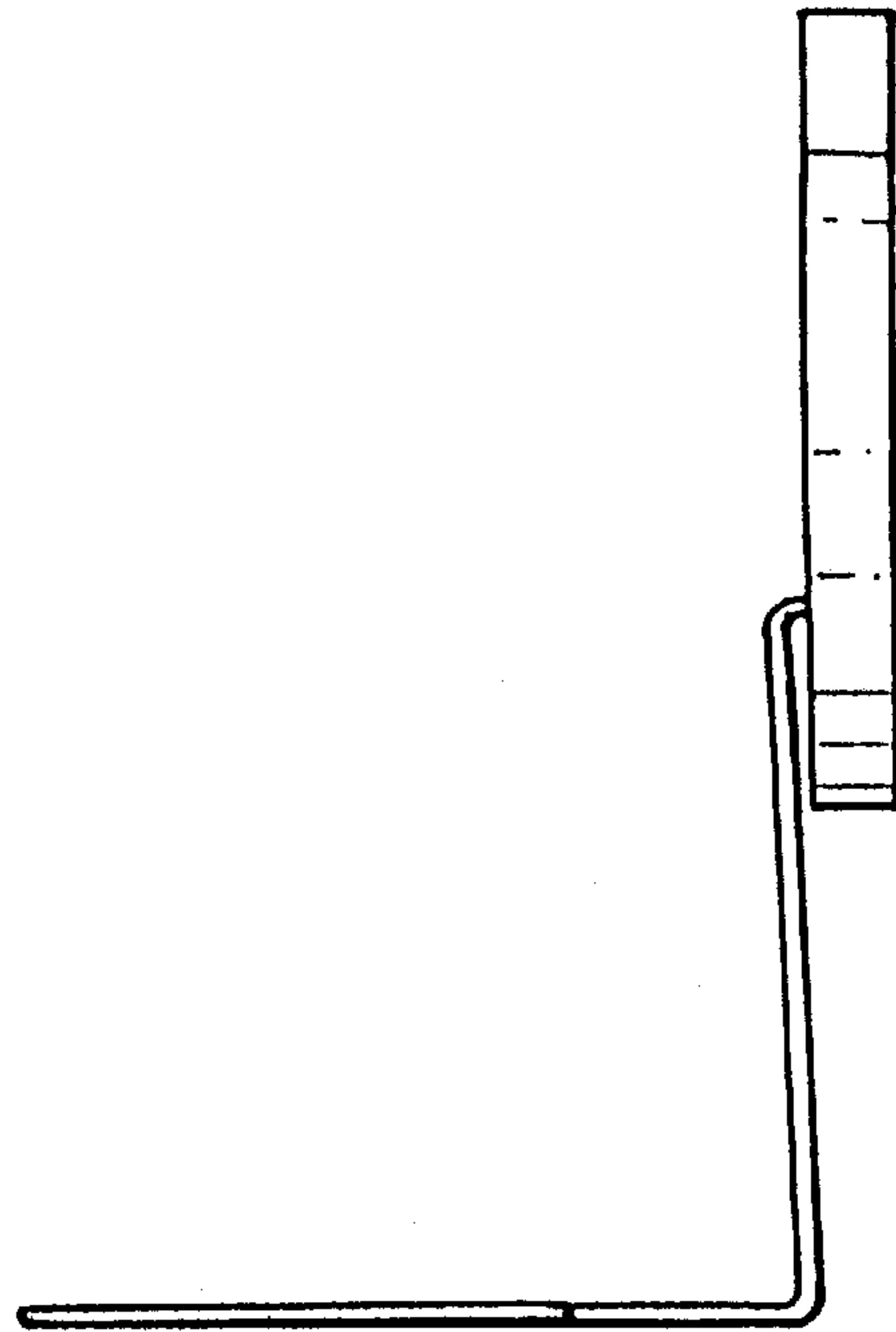
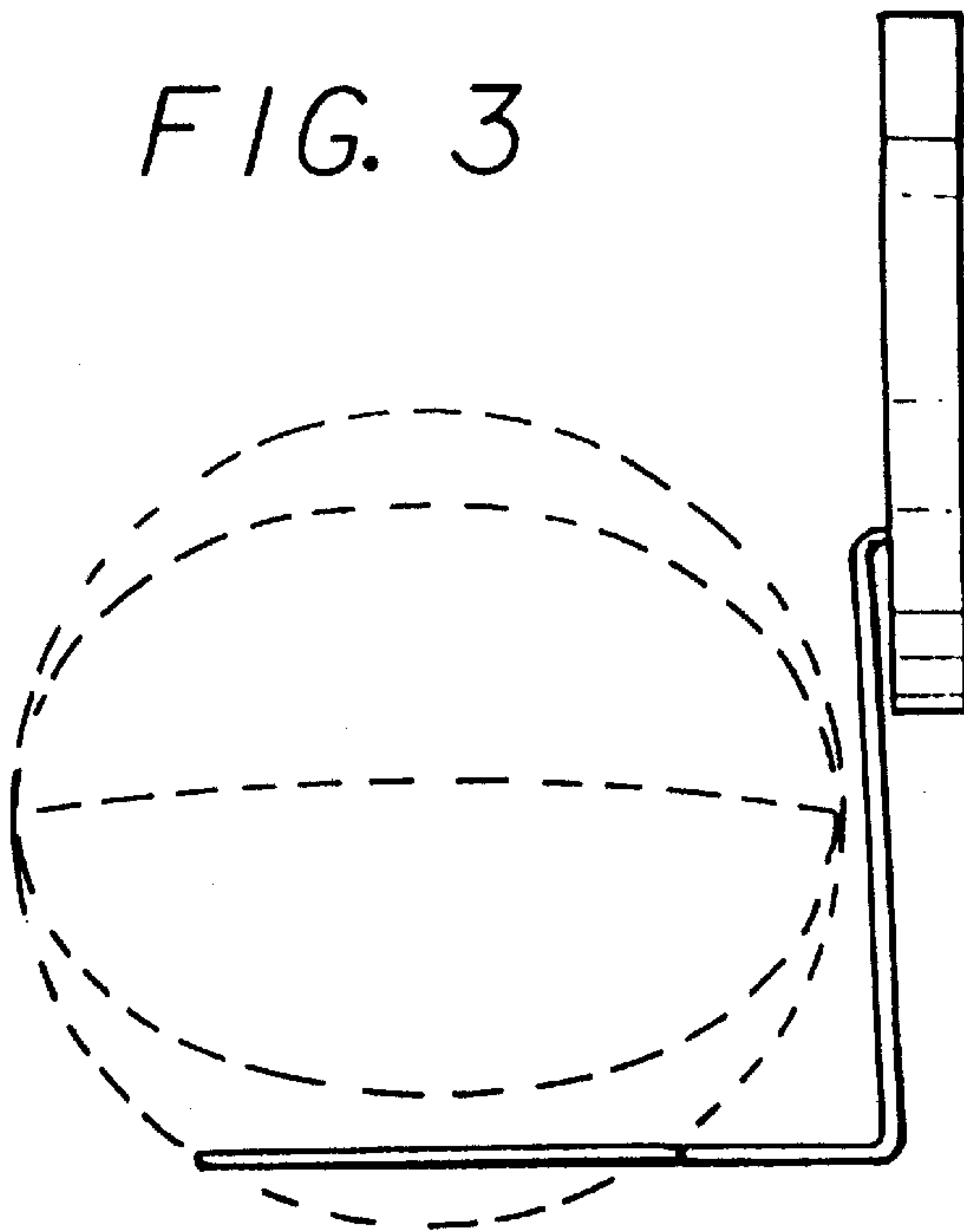


FIG. 4

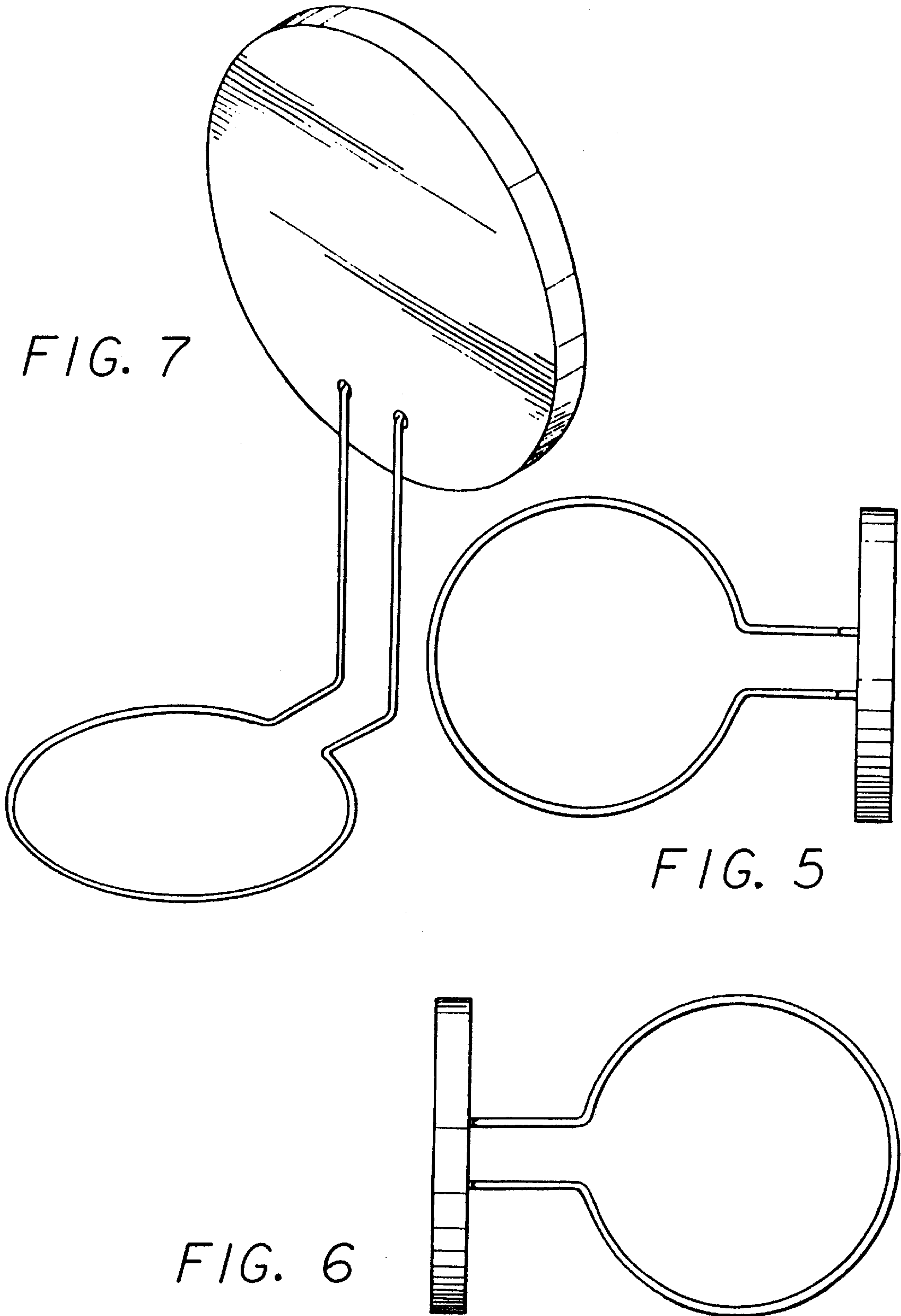


FIG. 7

FIG. 5

FIG. 6

FIG. 8

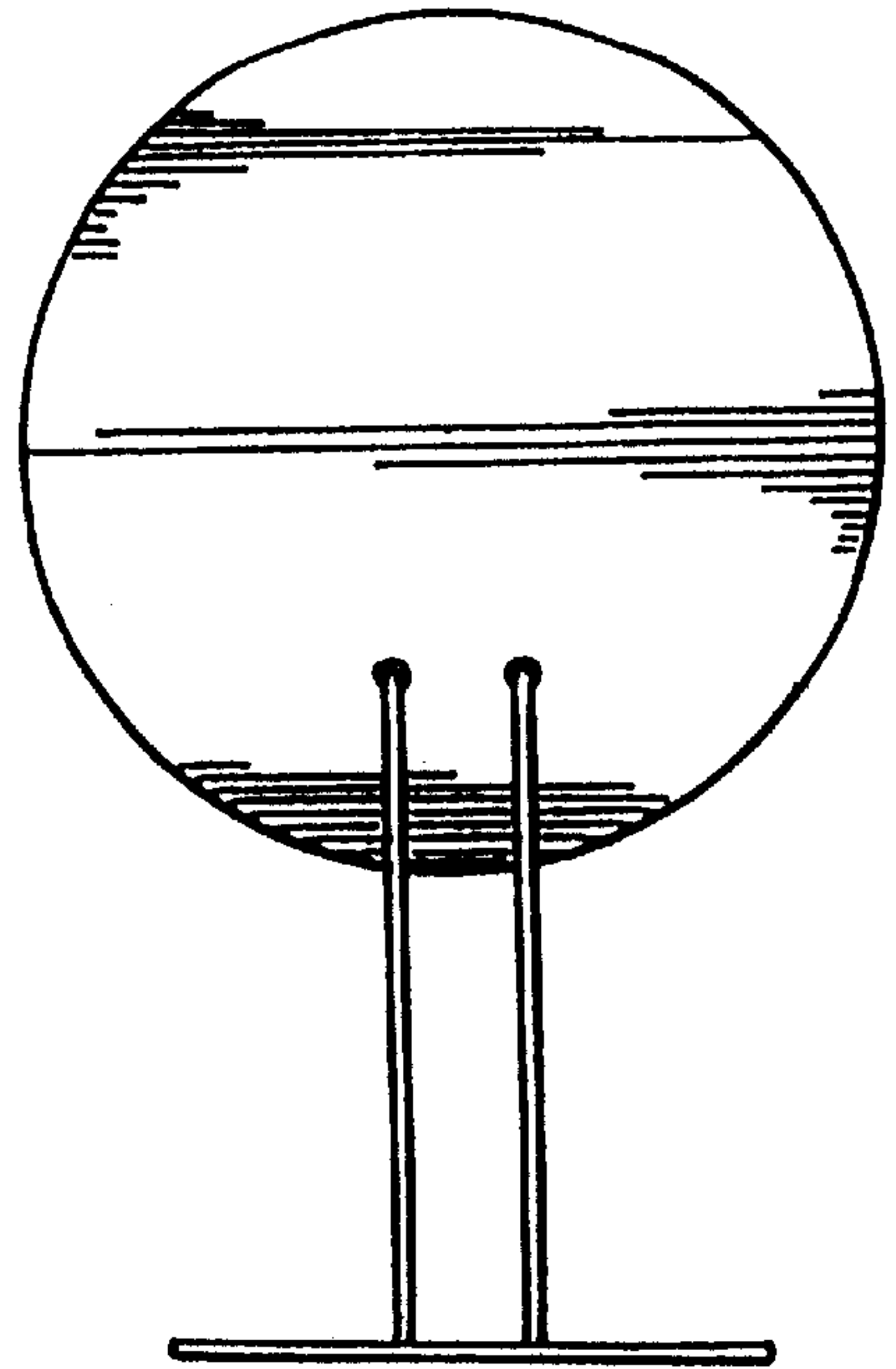
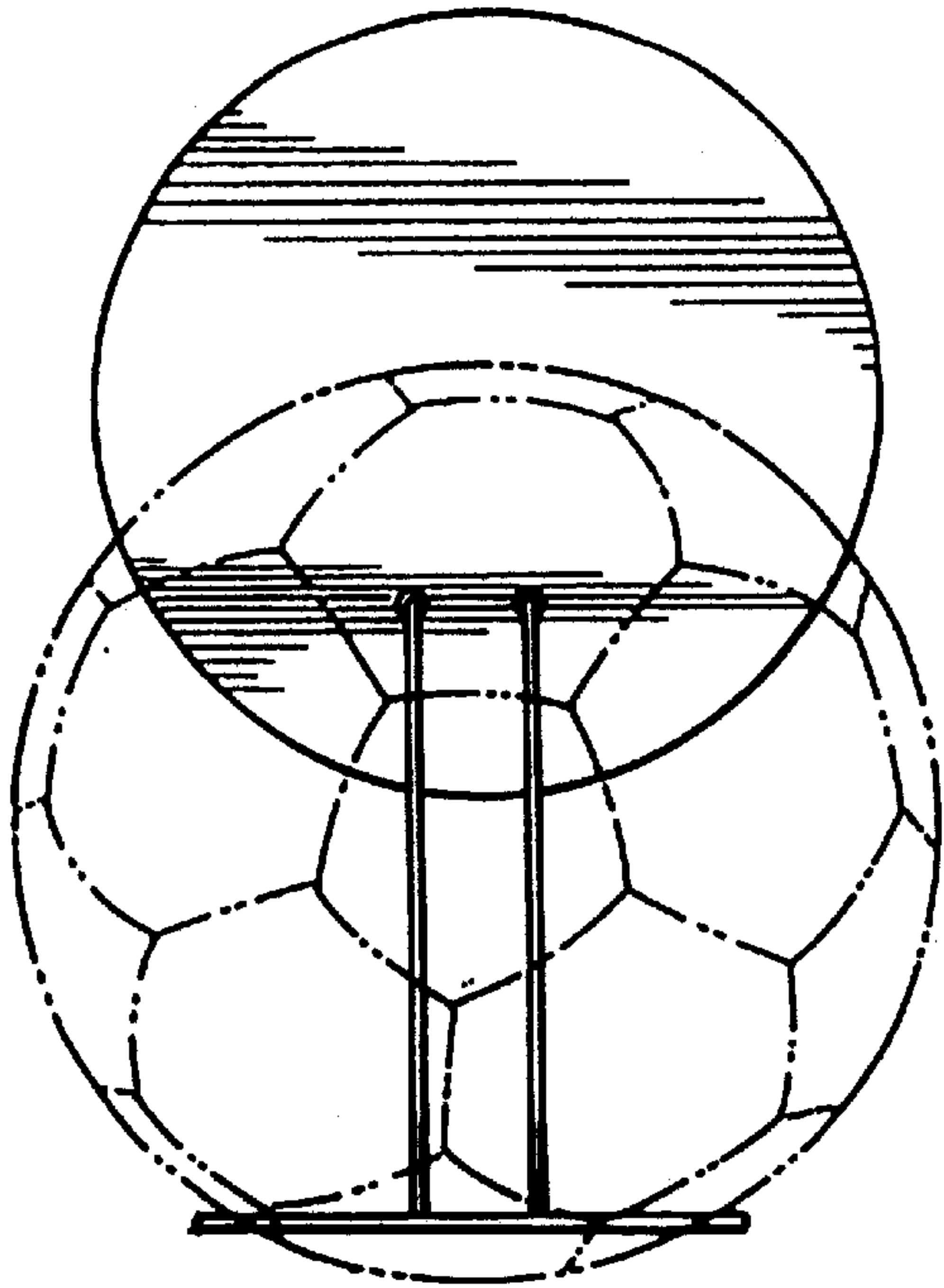


FIG. 9

FIG. 10

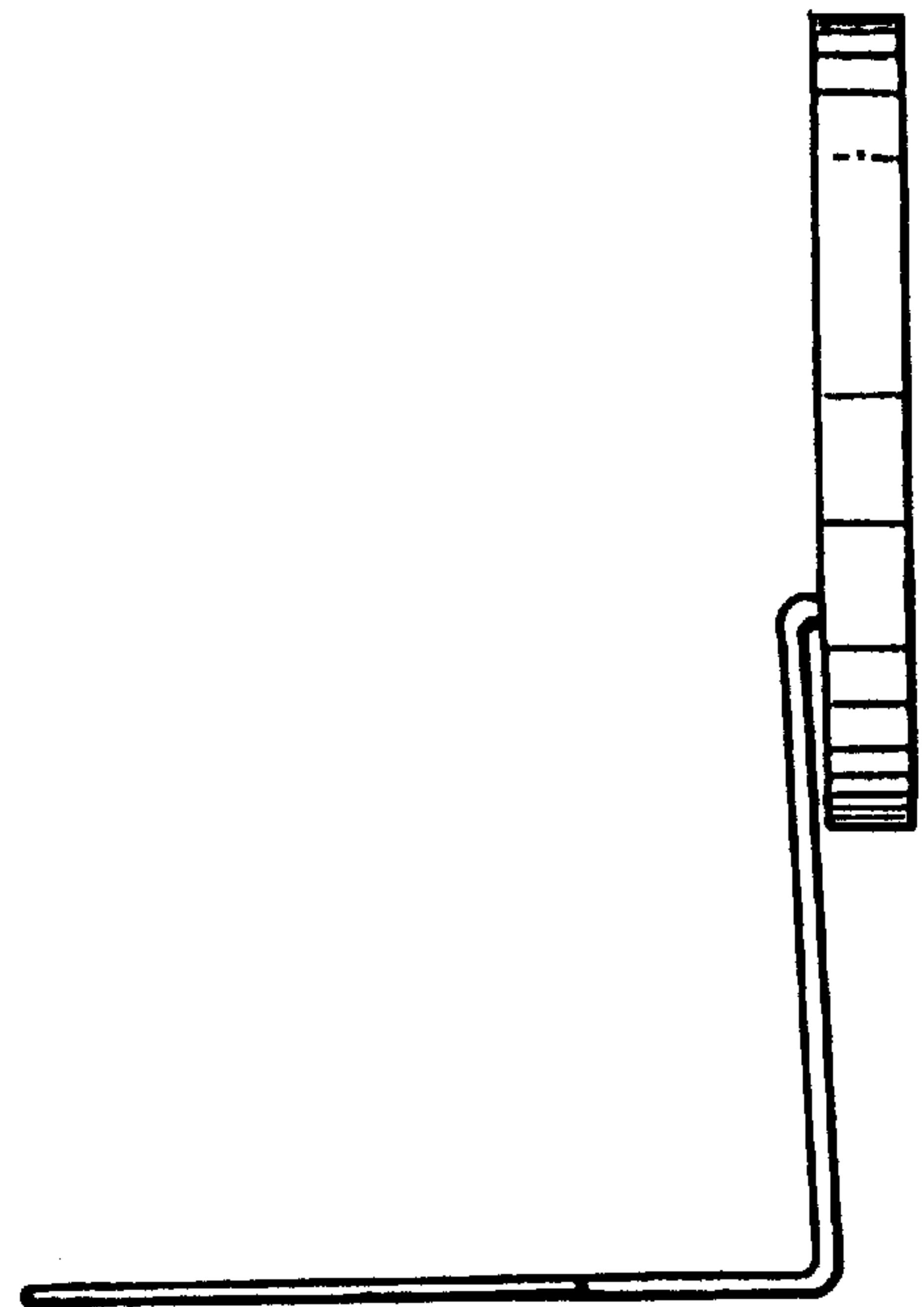
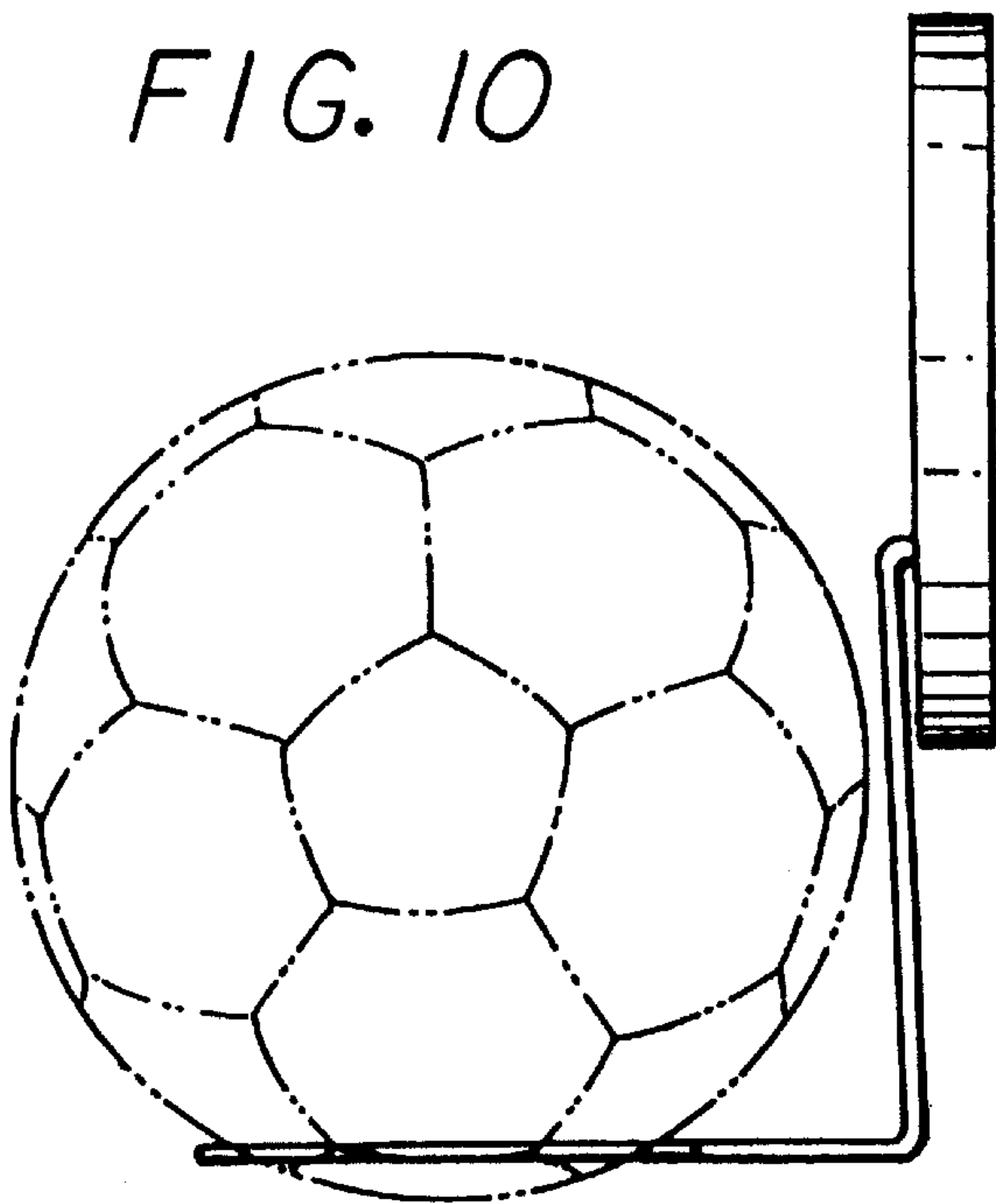


FIG. 11

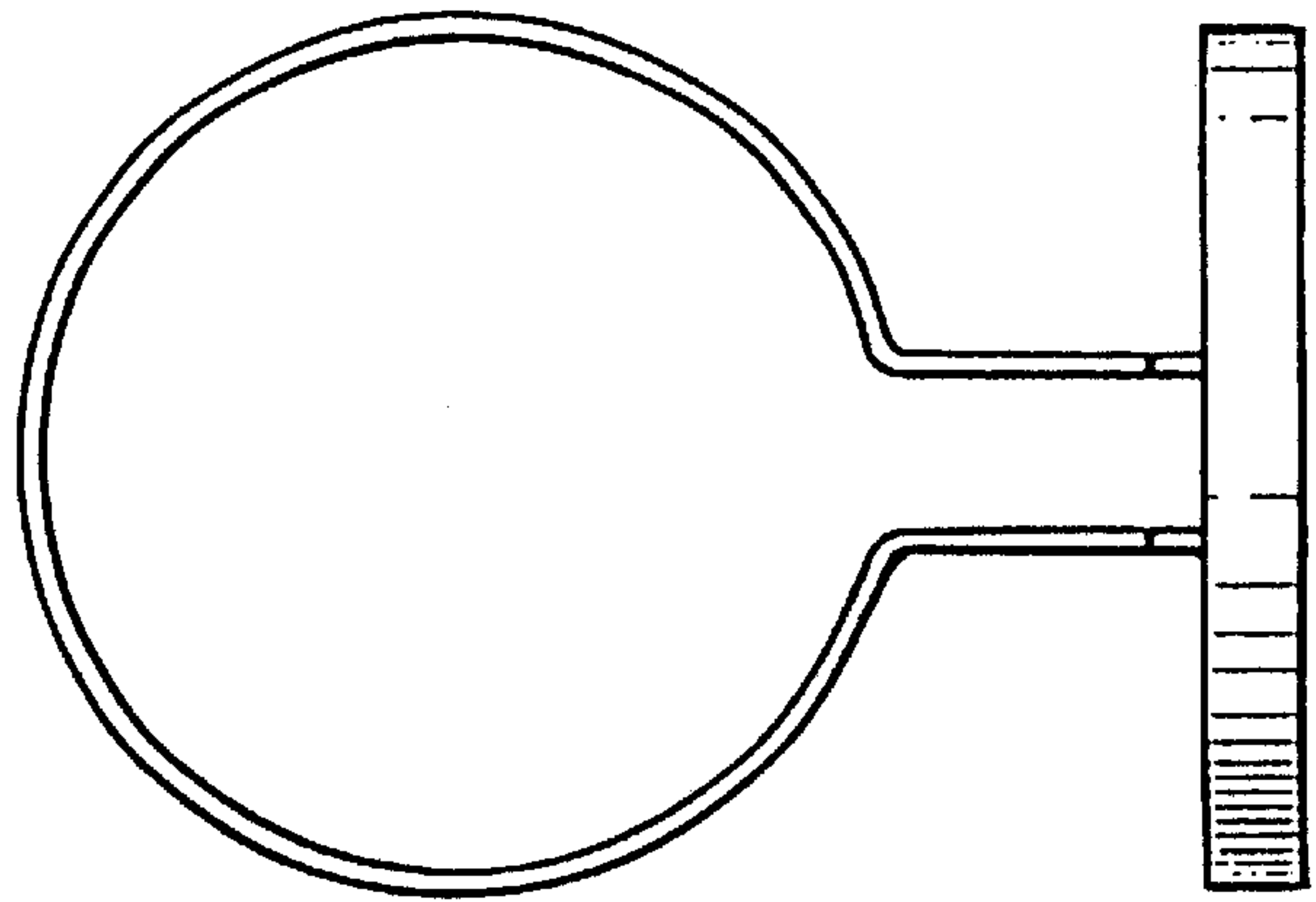
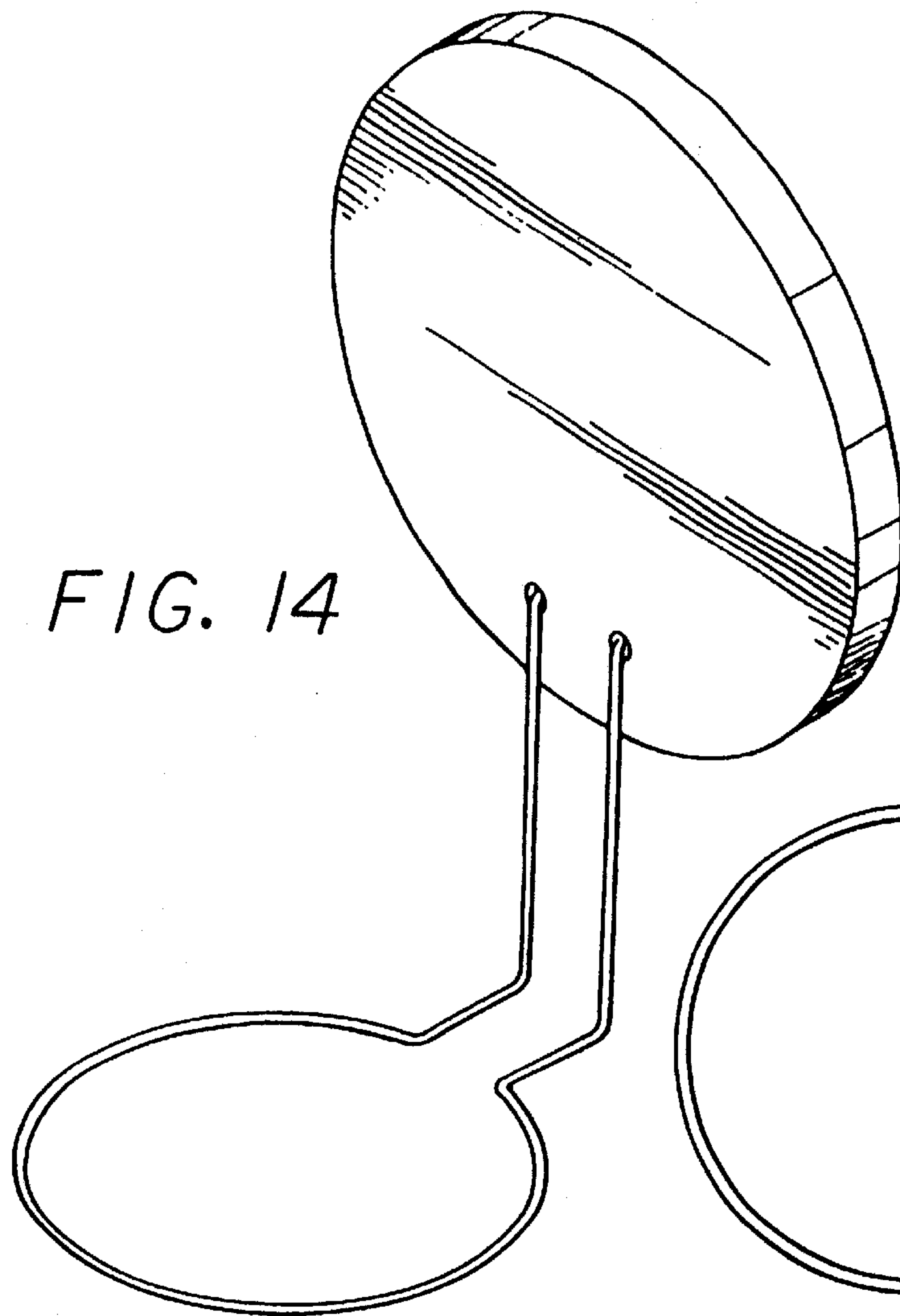


FIG. 12

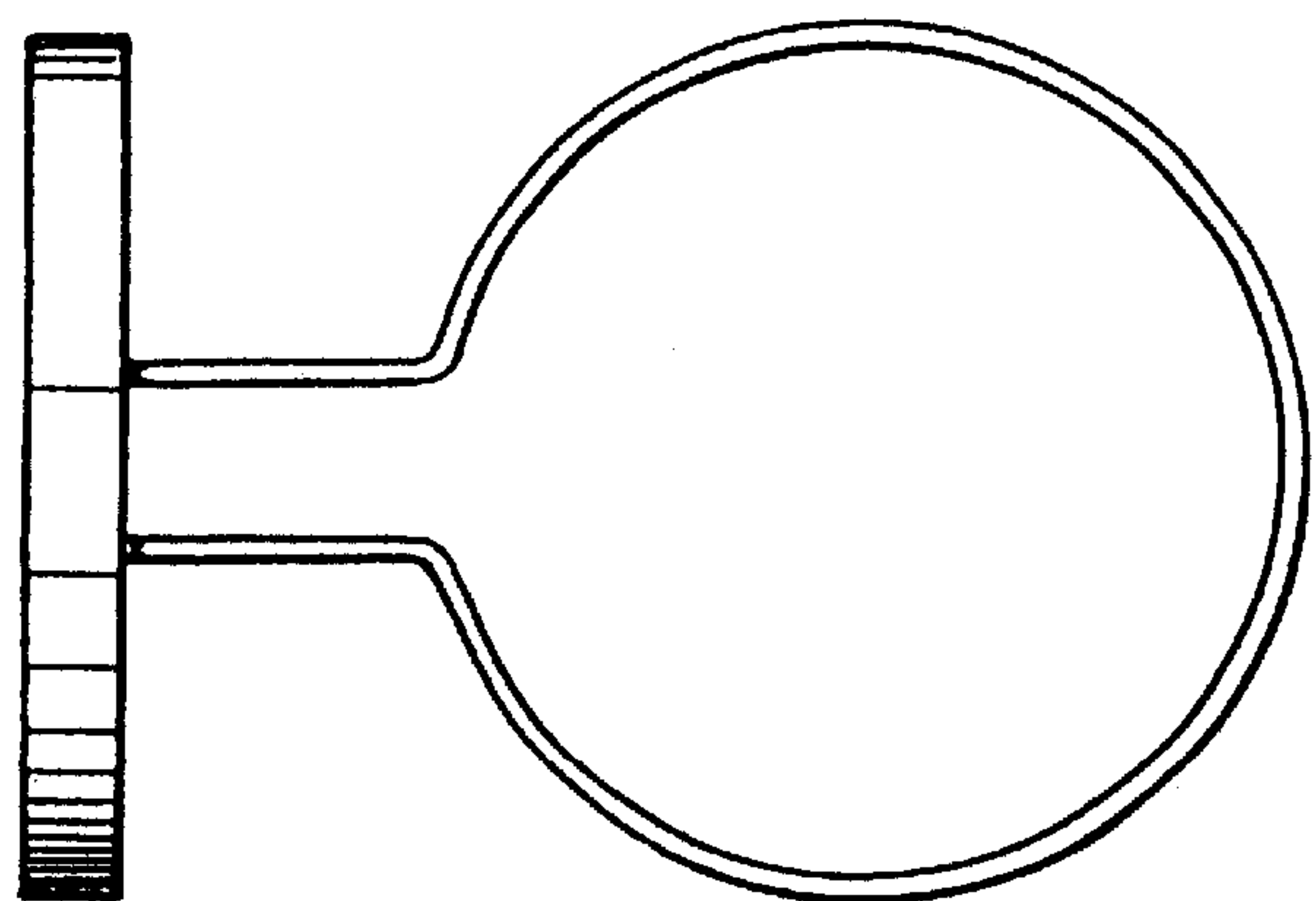


FIG. 13

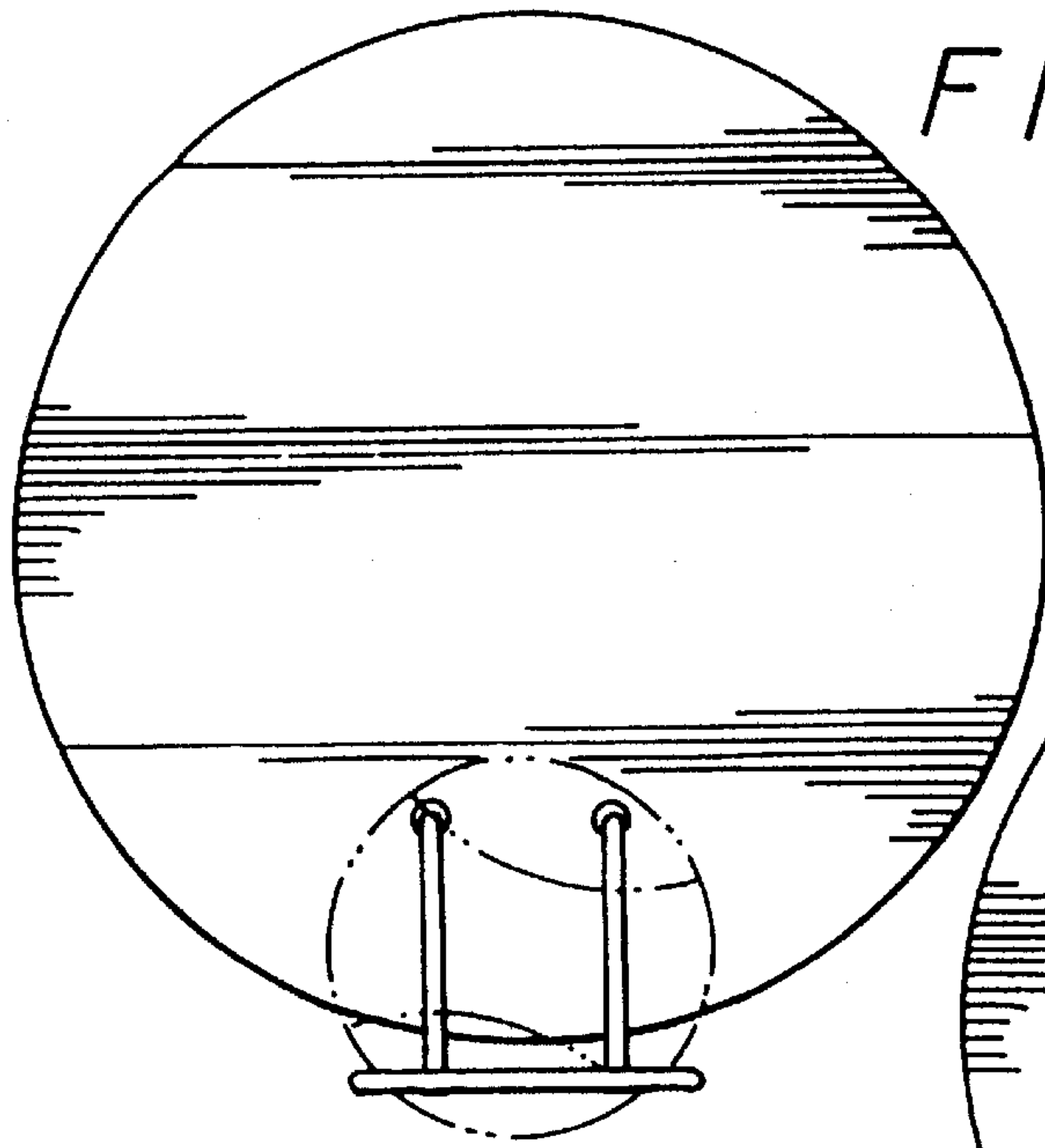


FIG. 15

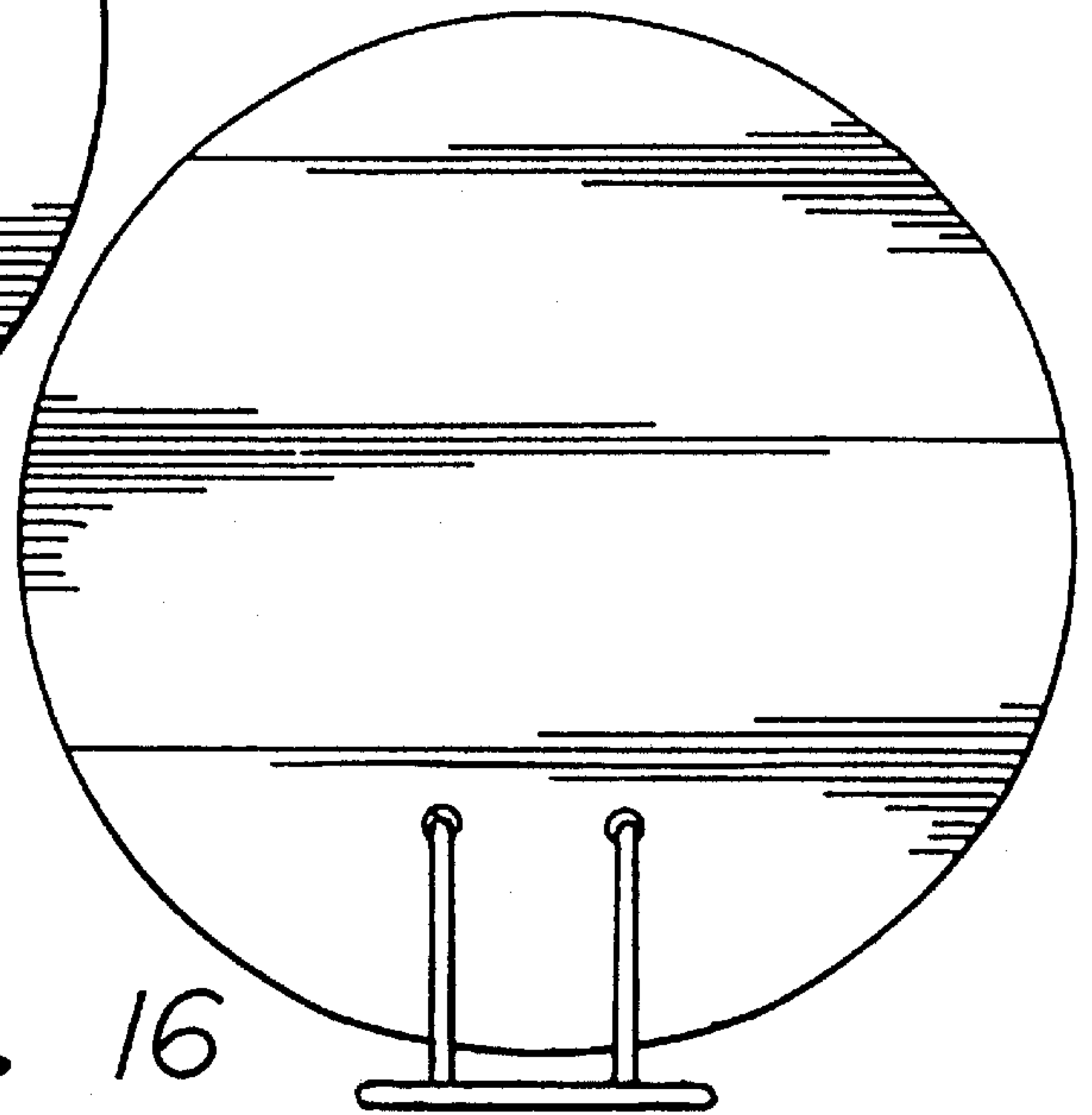


FIG. 16

FIG. 17

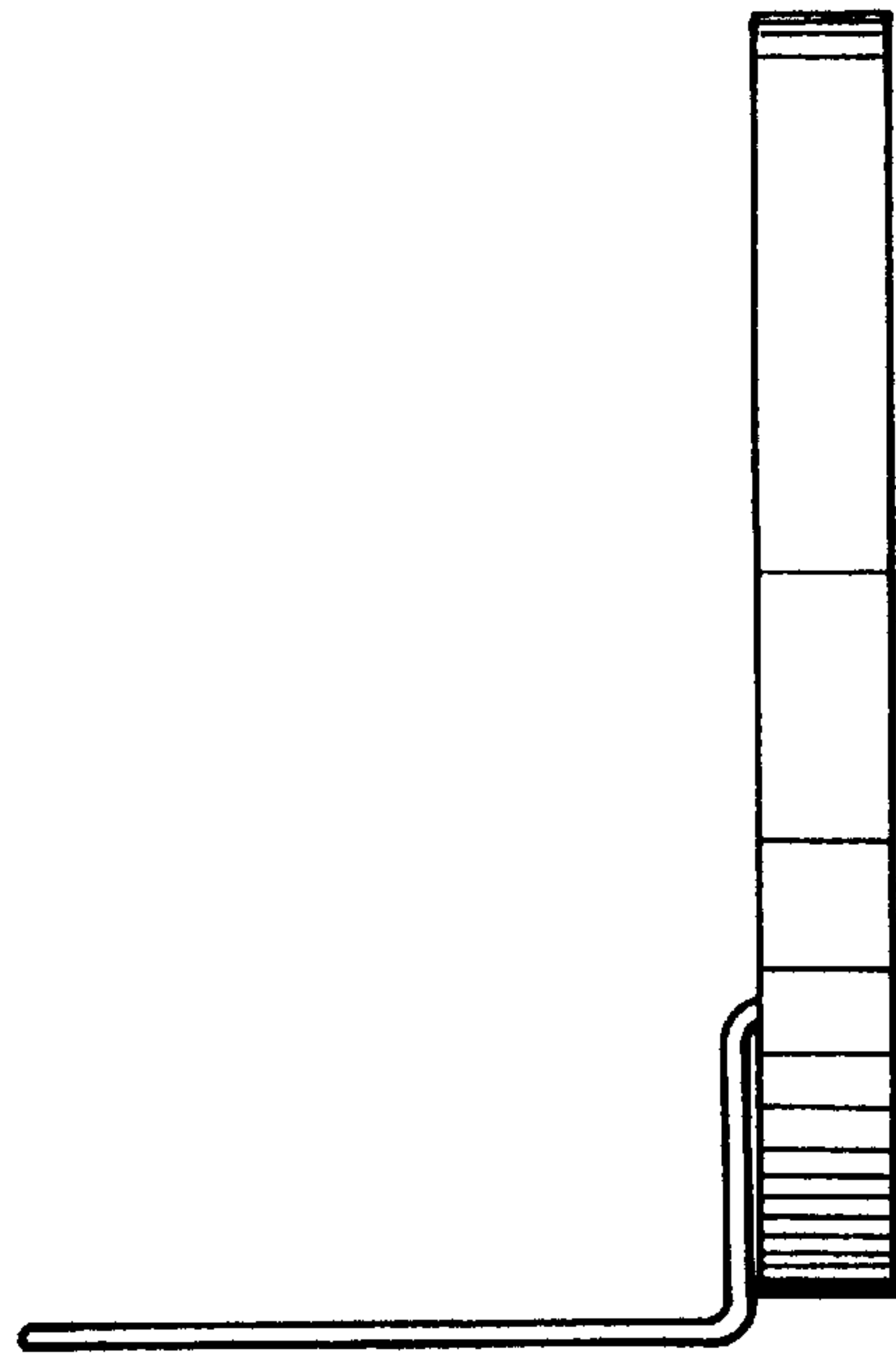
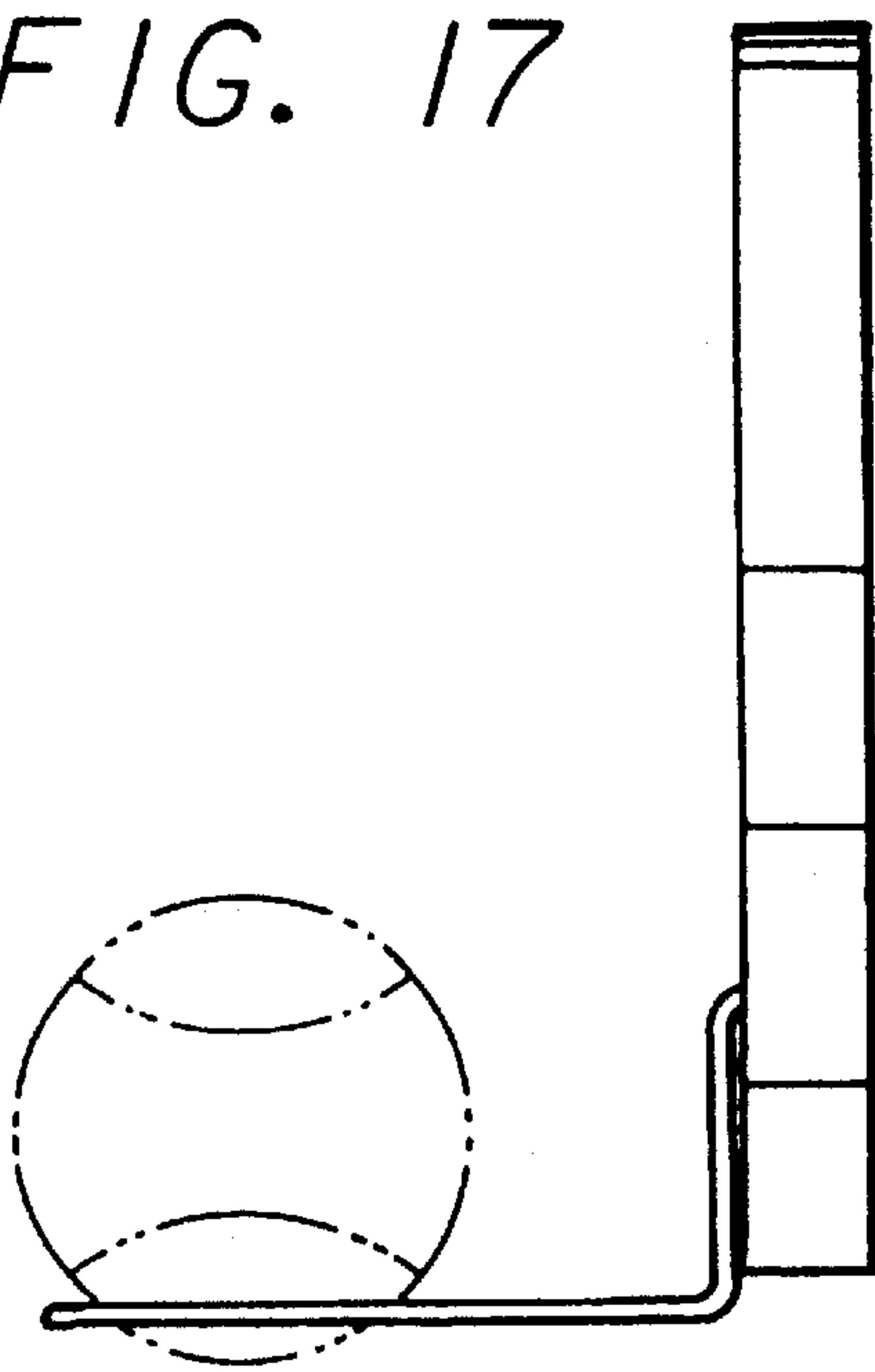


FIG. 18

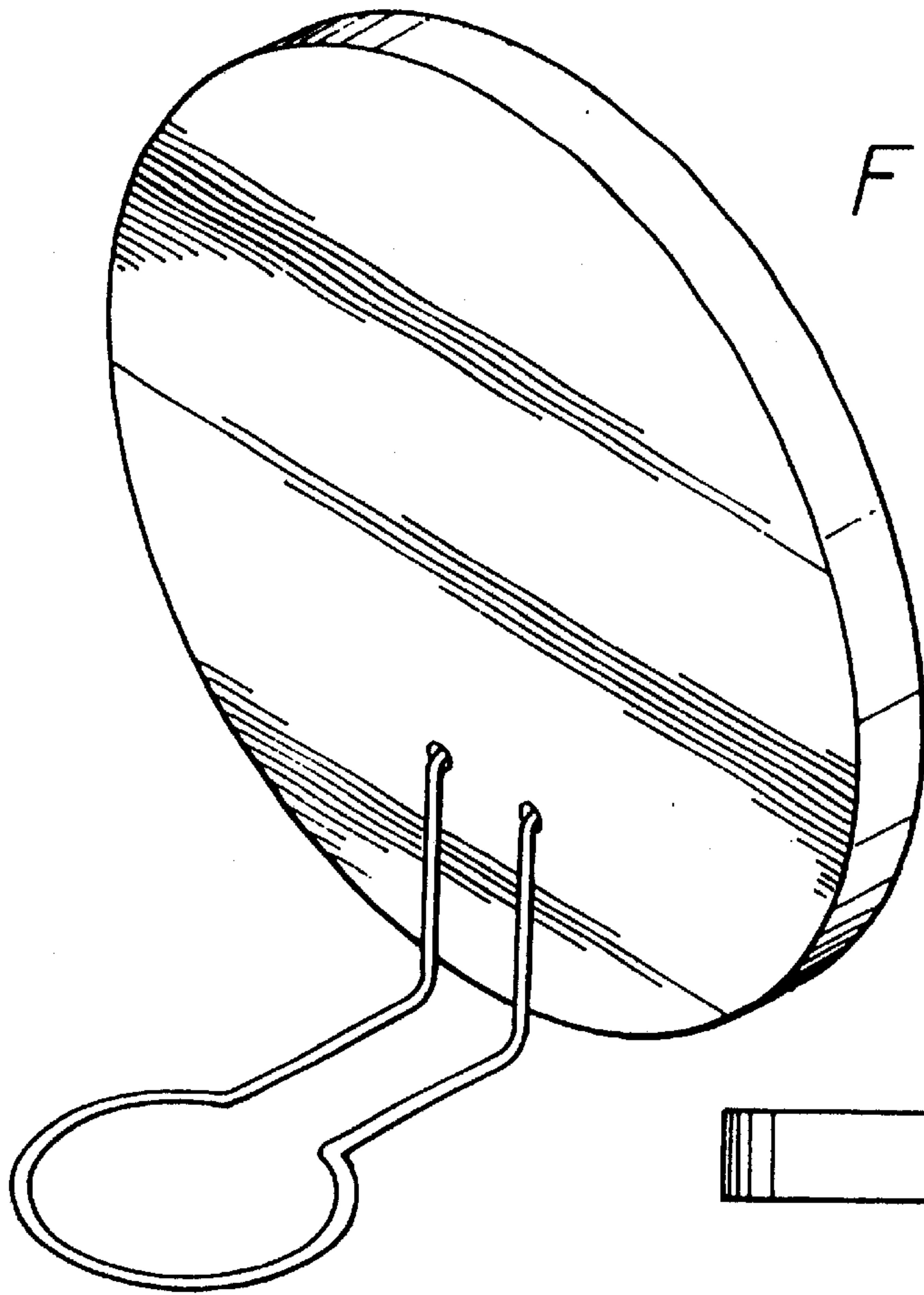


FIG. 21

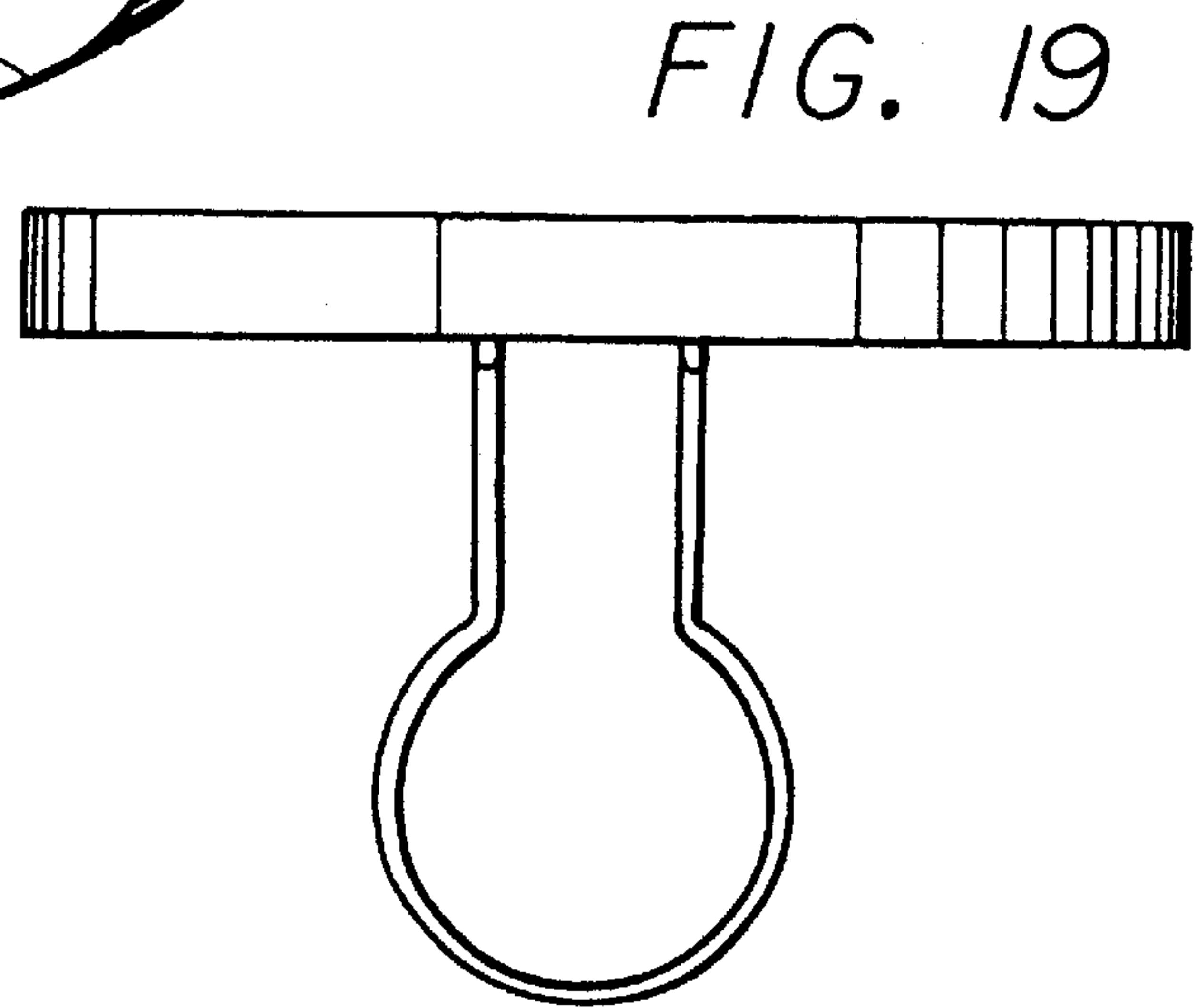


FIG. 19

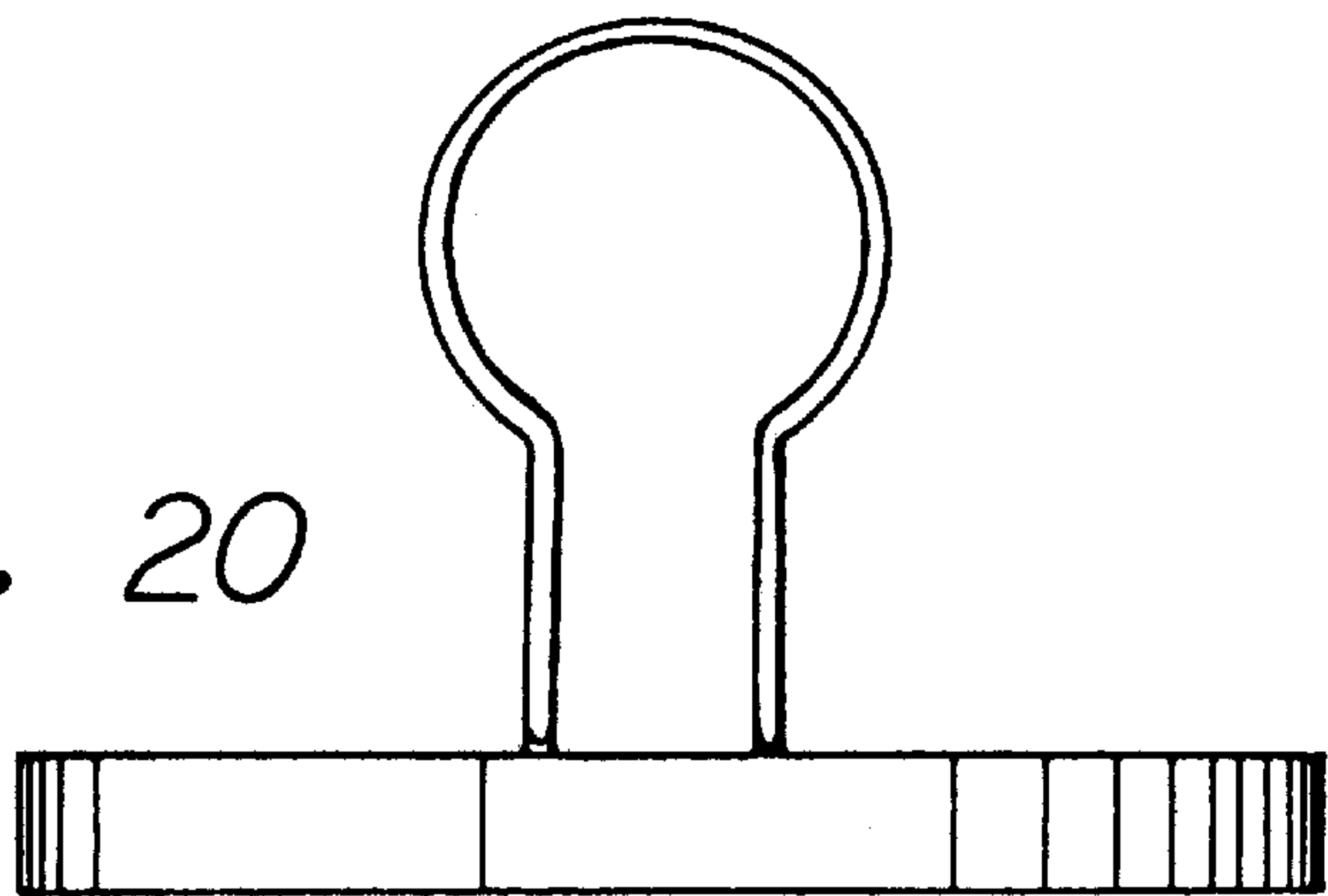


FIG. 20

FIG. 22

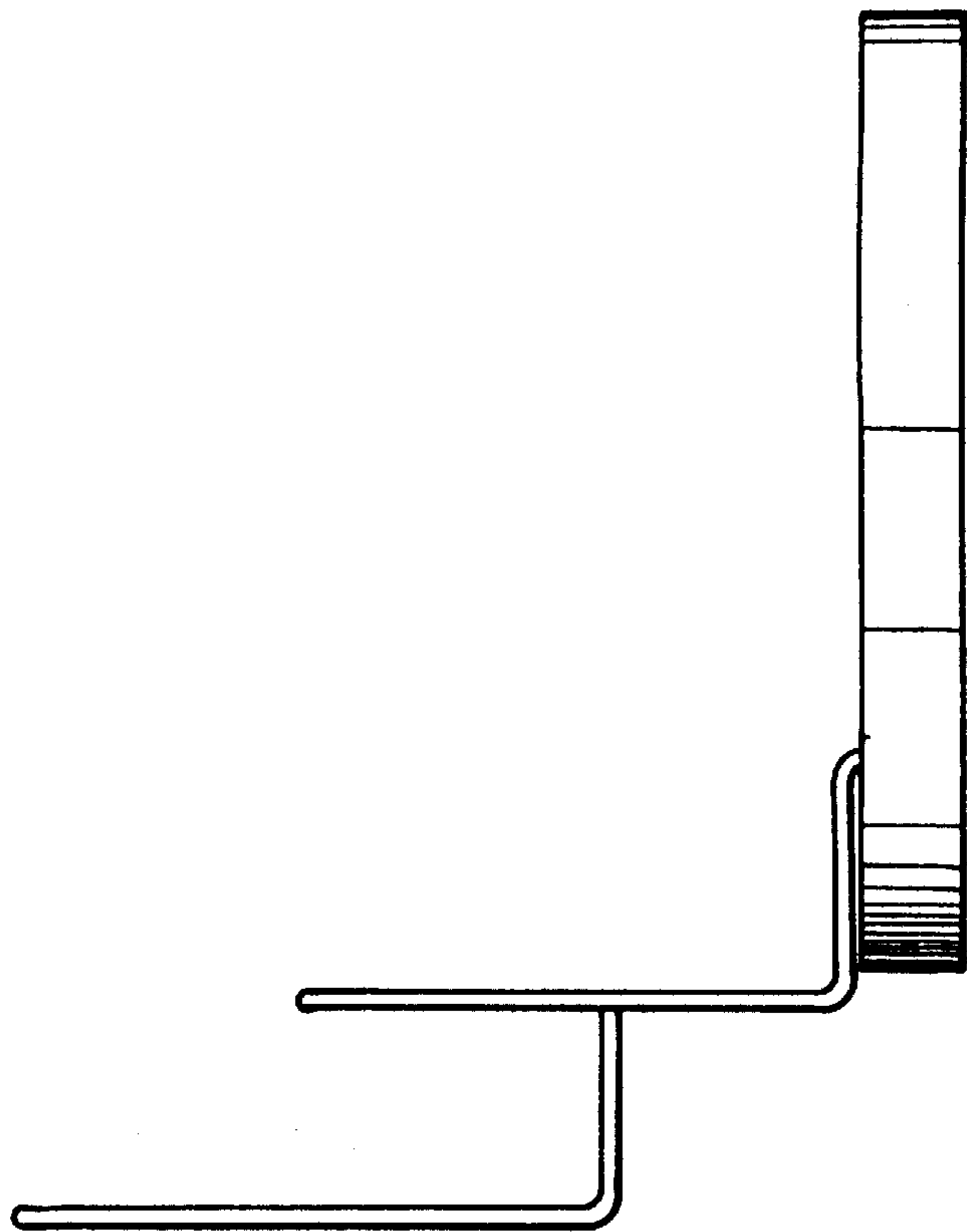
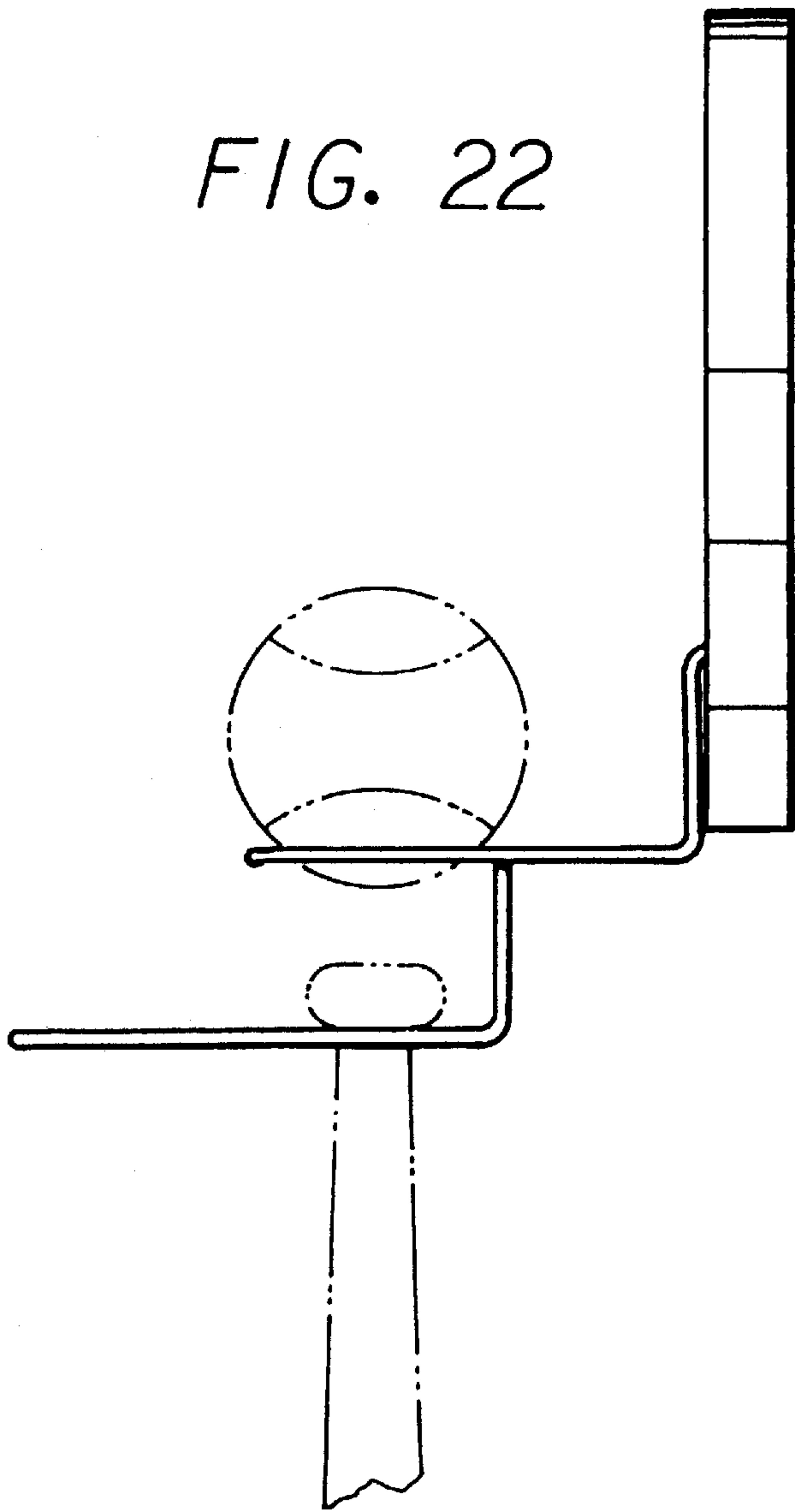


FIG. 23

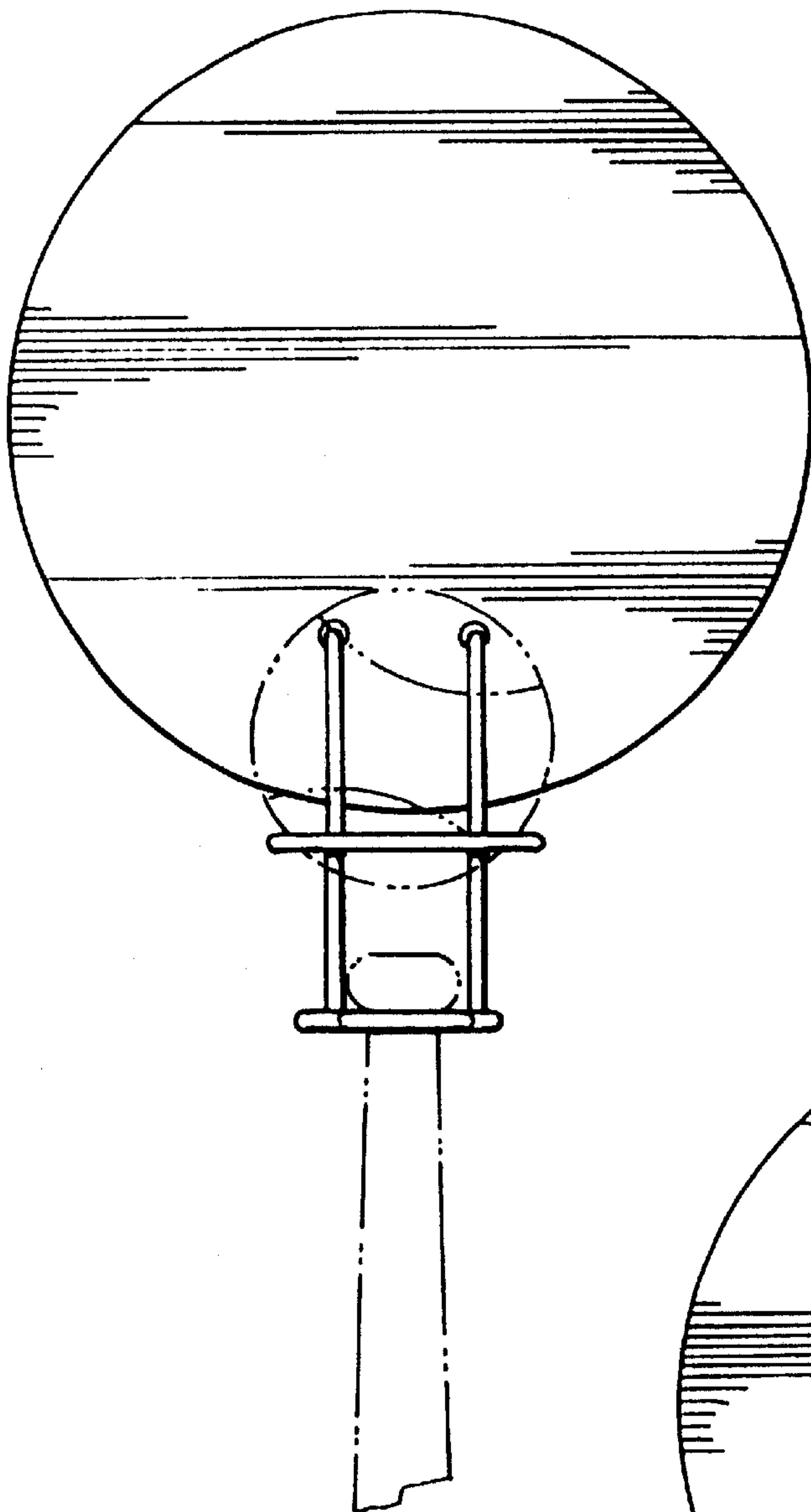


FIG. 24

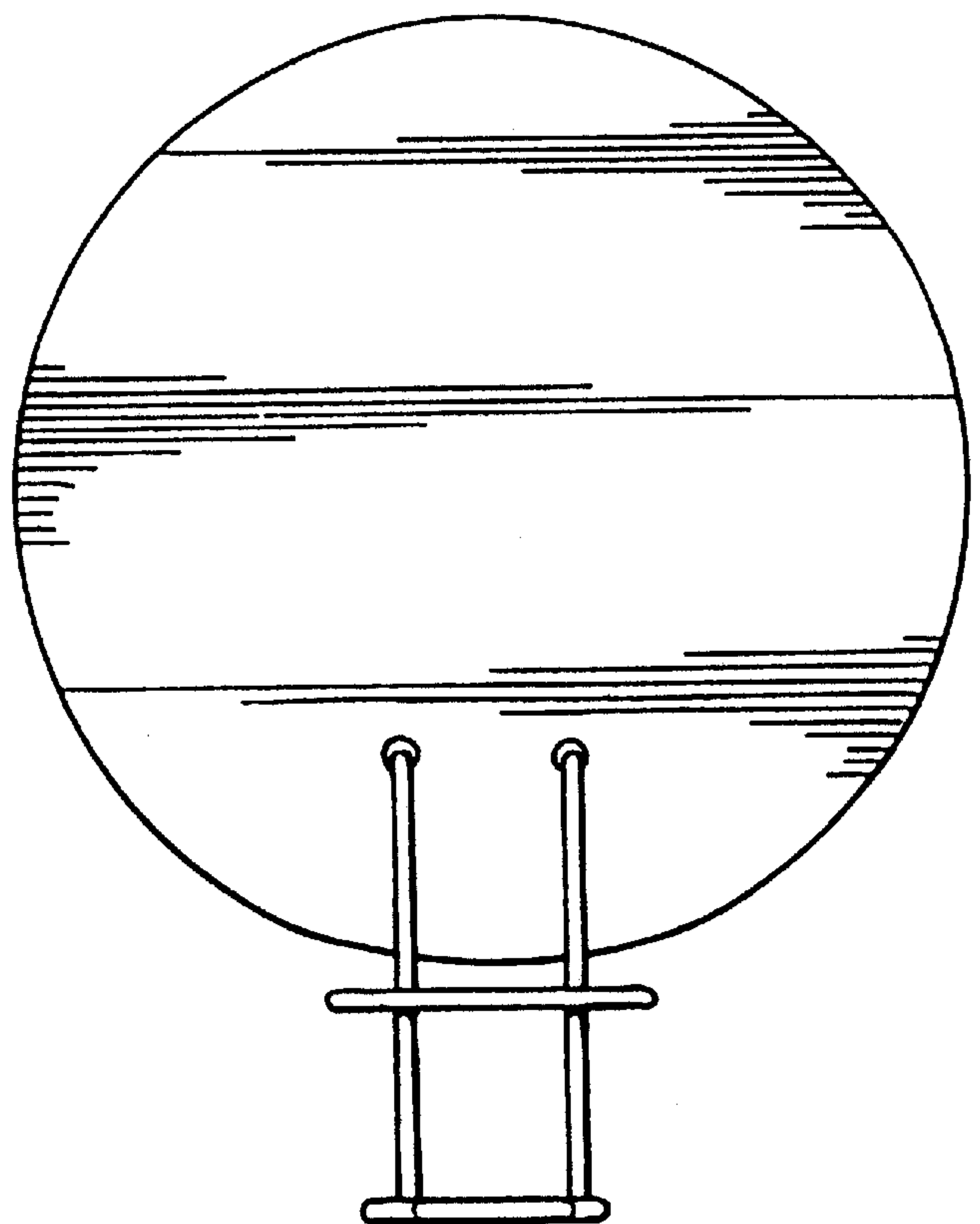
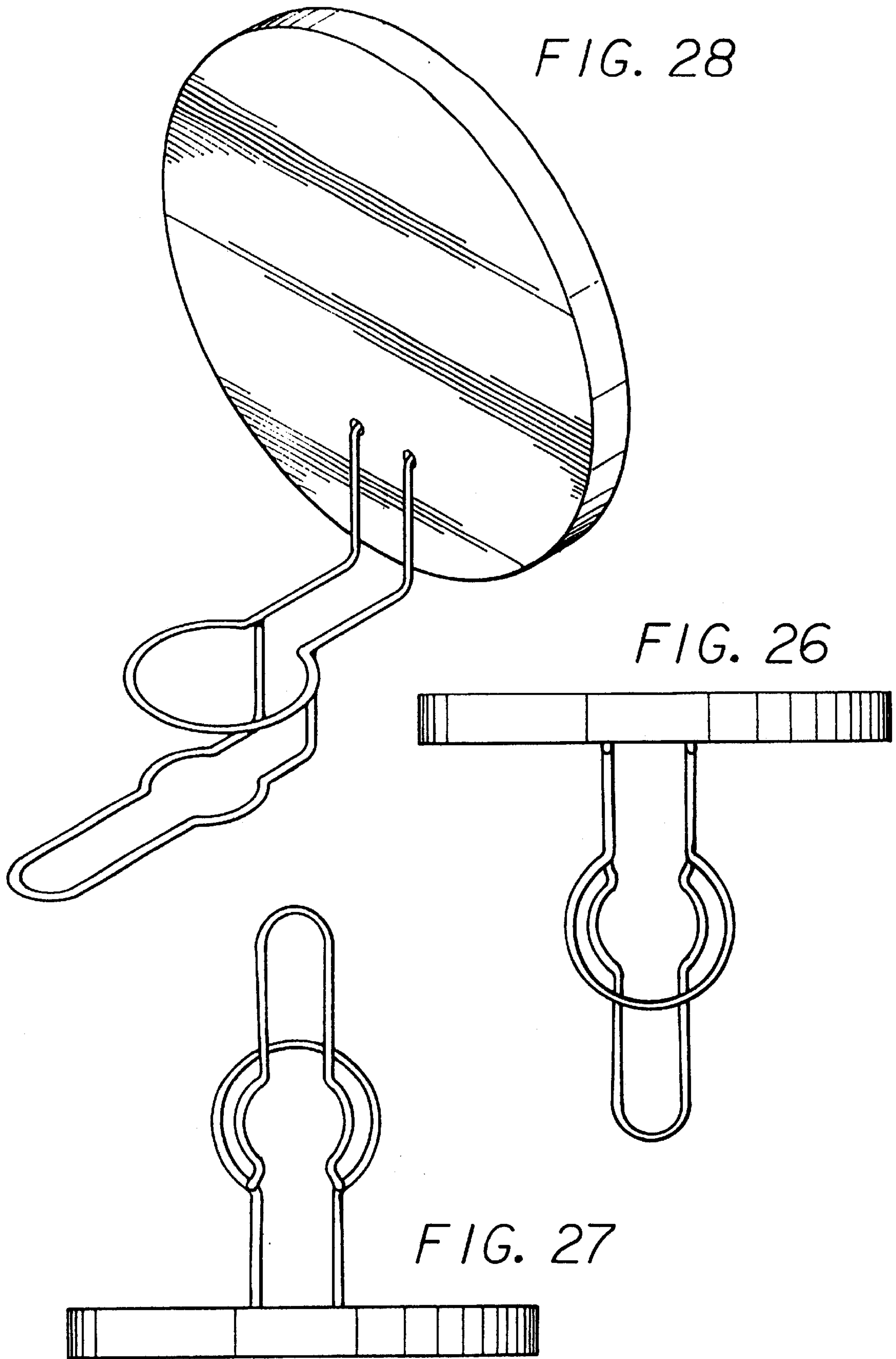


FIG. 25



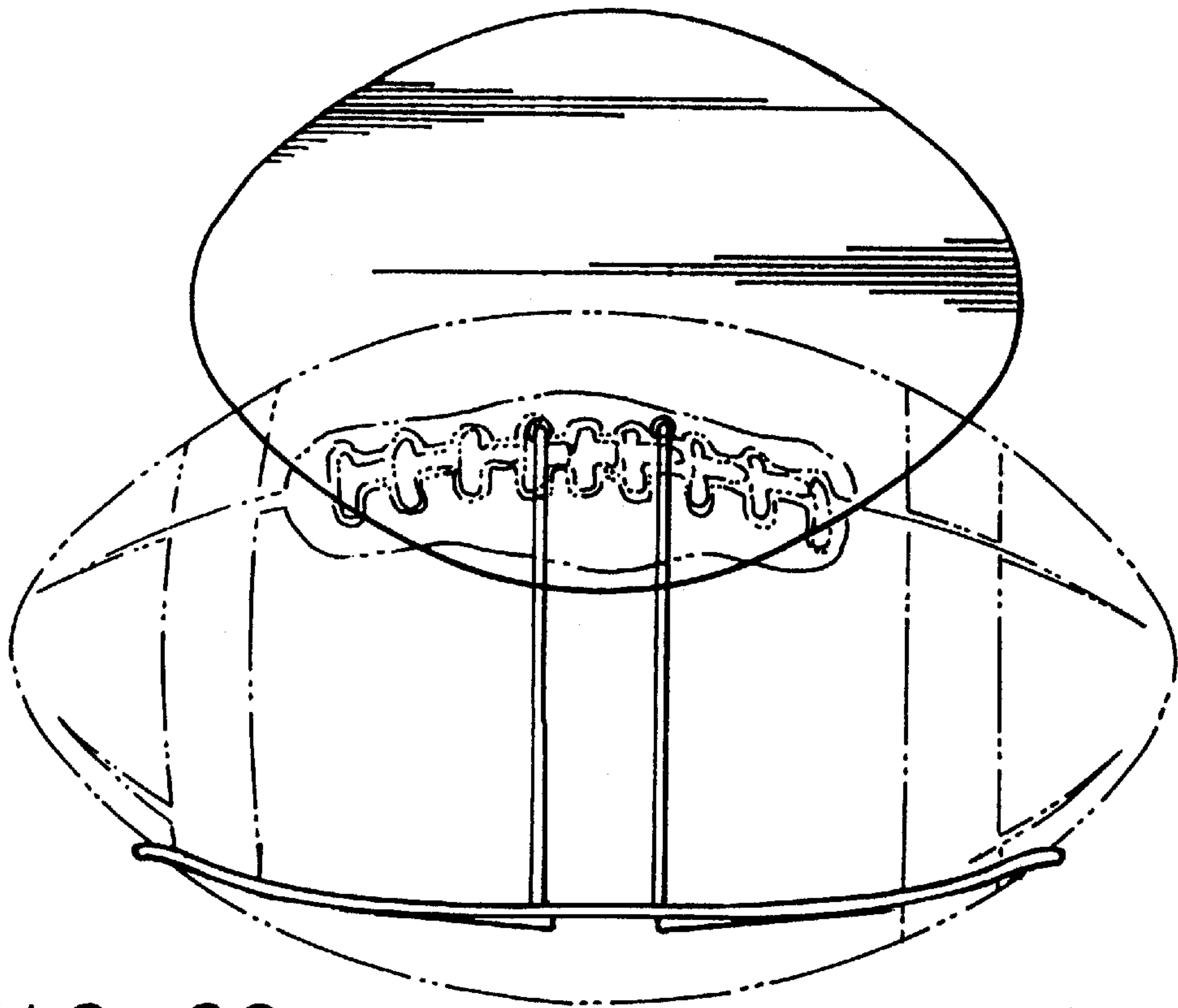


FIG. 29

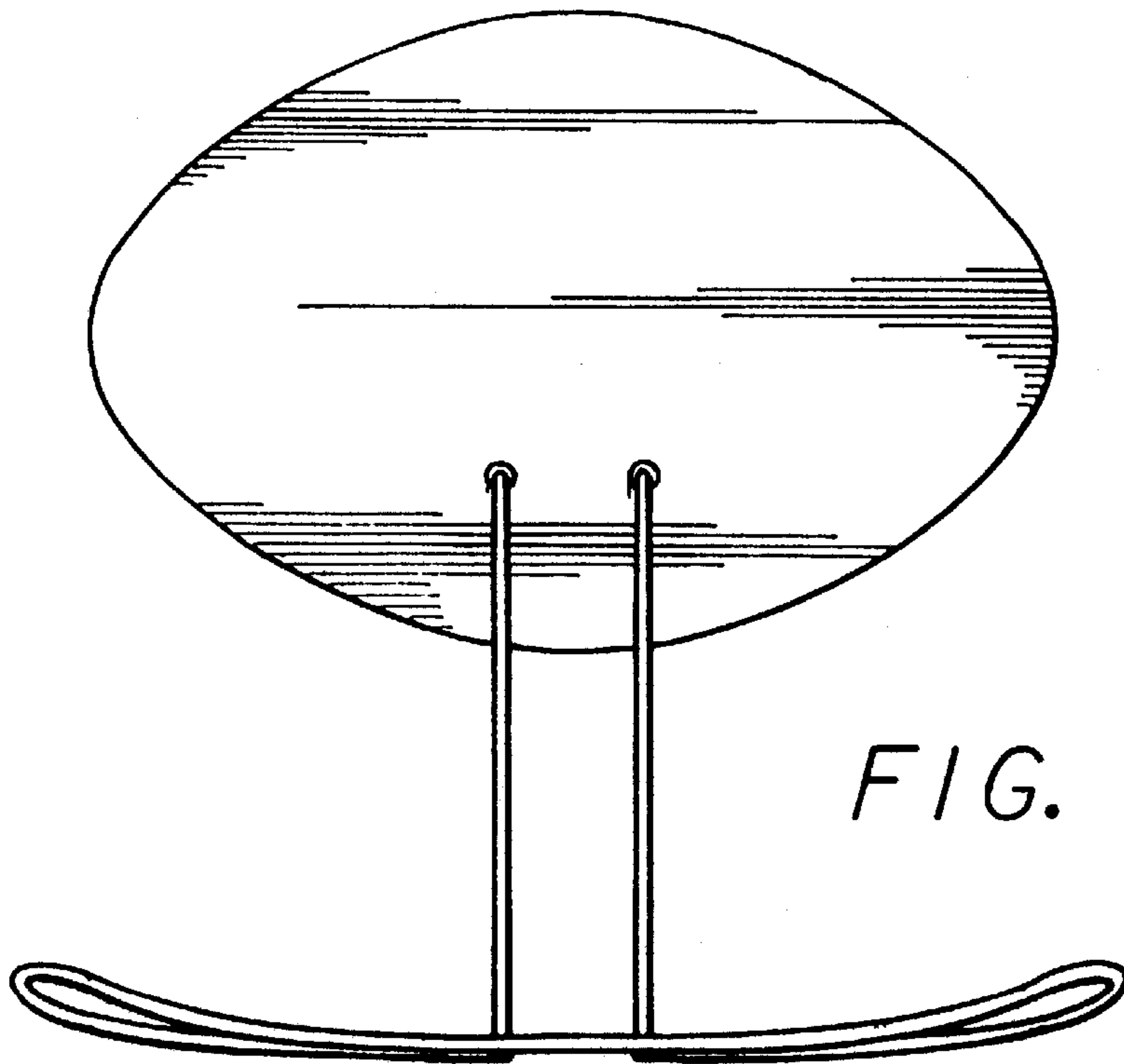


FIG. 30

FIG. 31

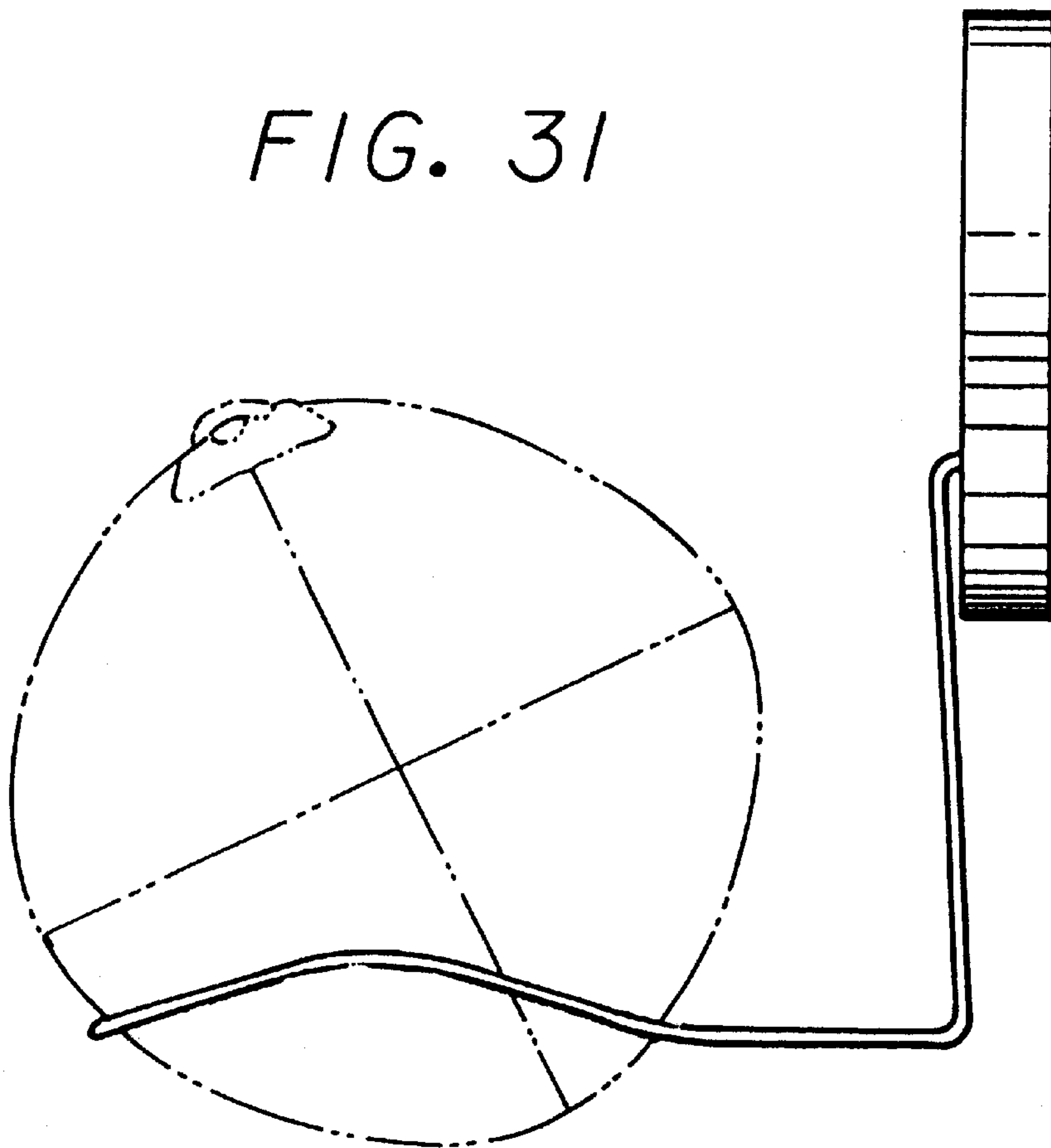


FIG. 32

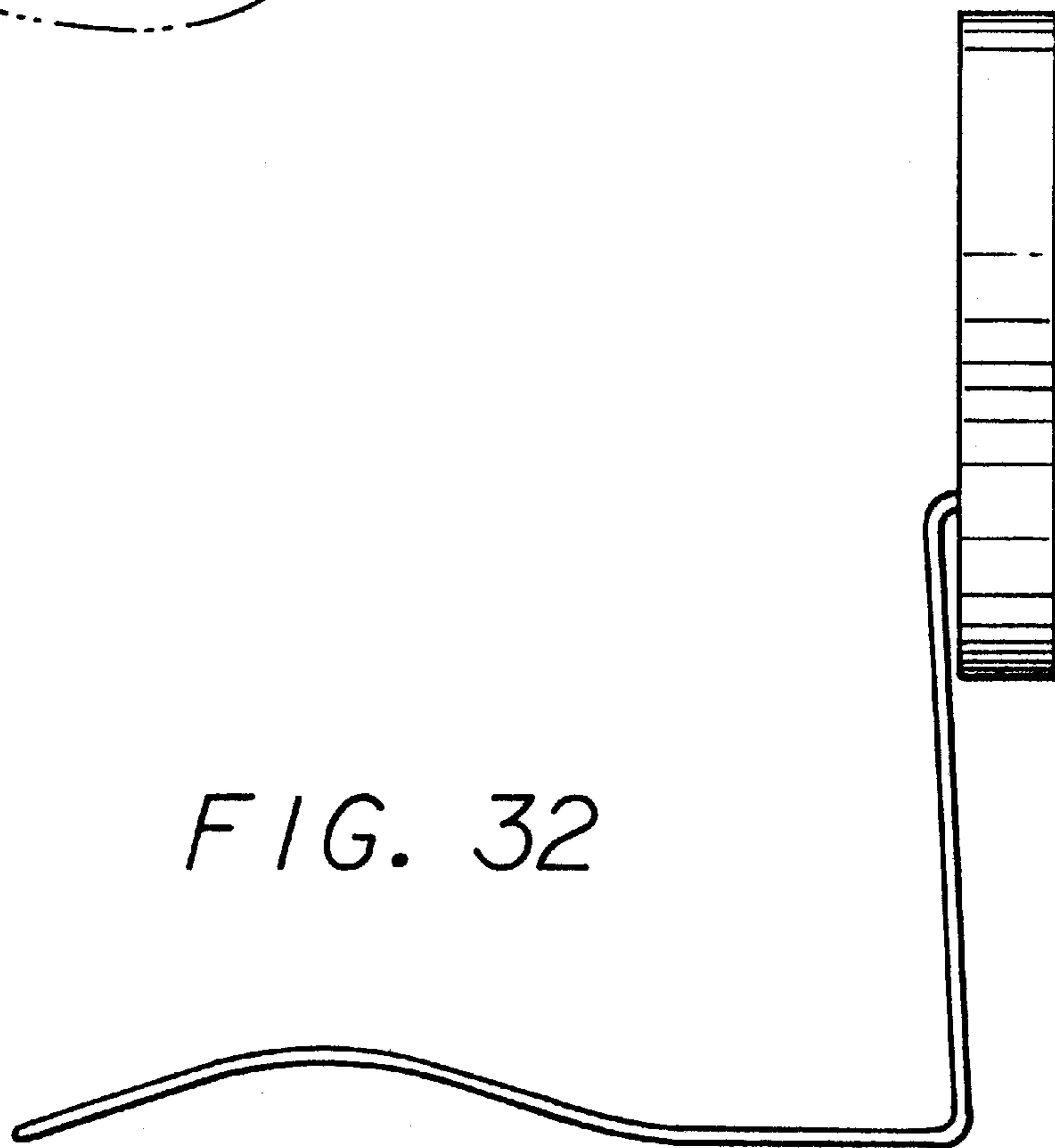


FIG. 33

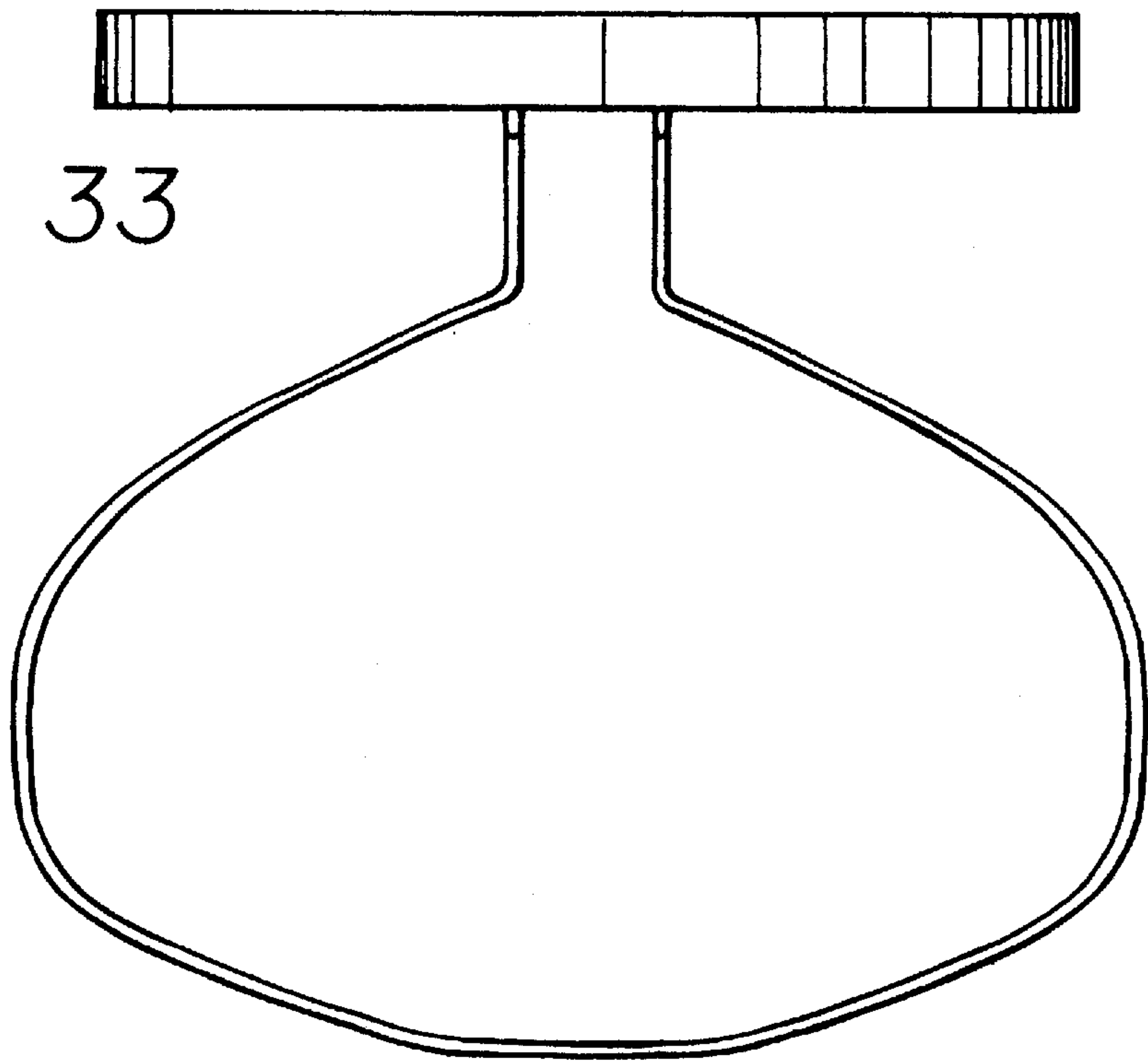
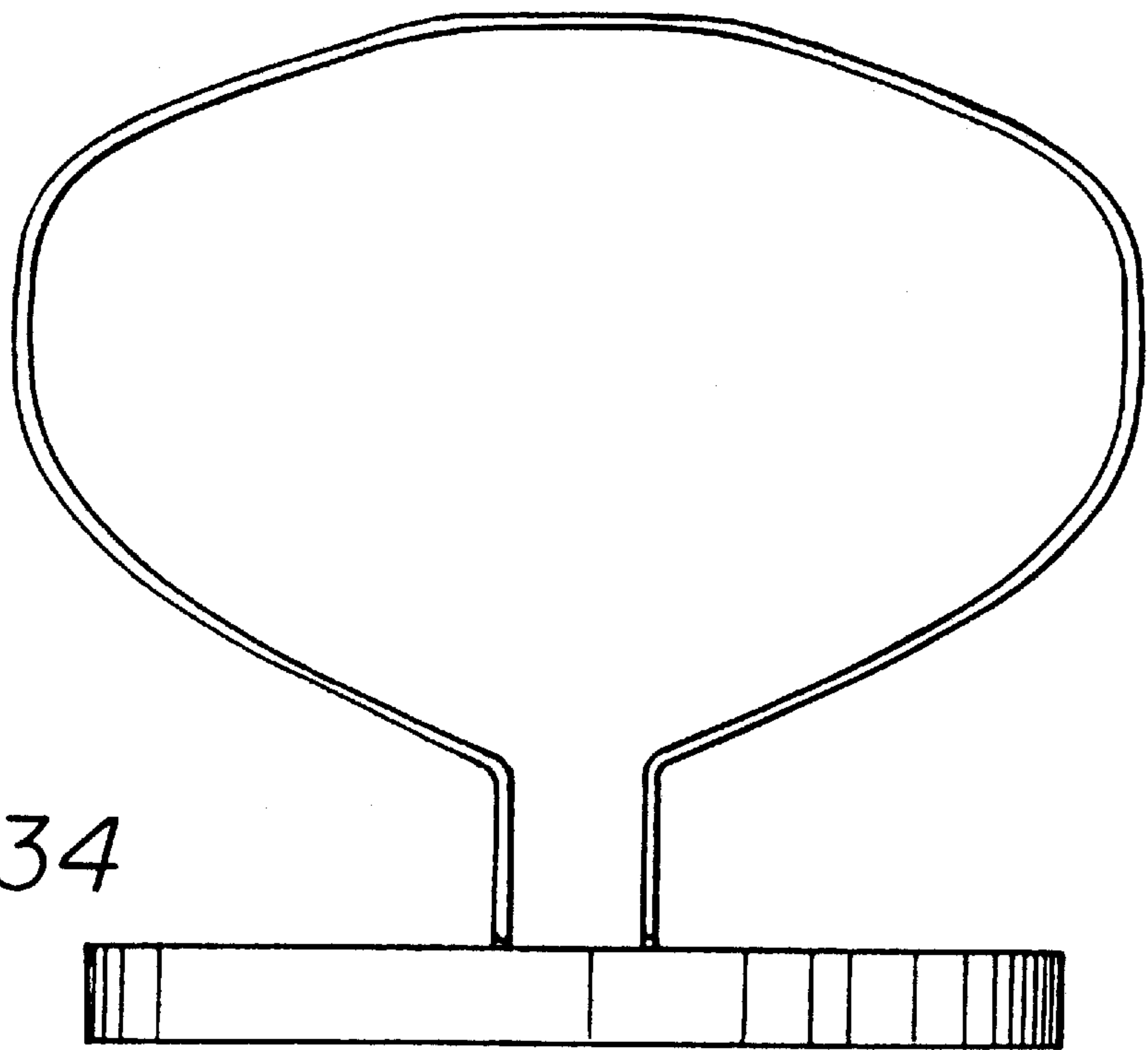


FIG. 34



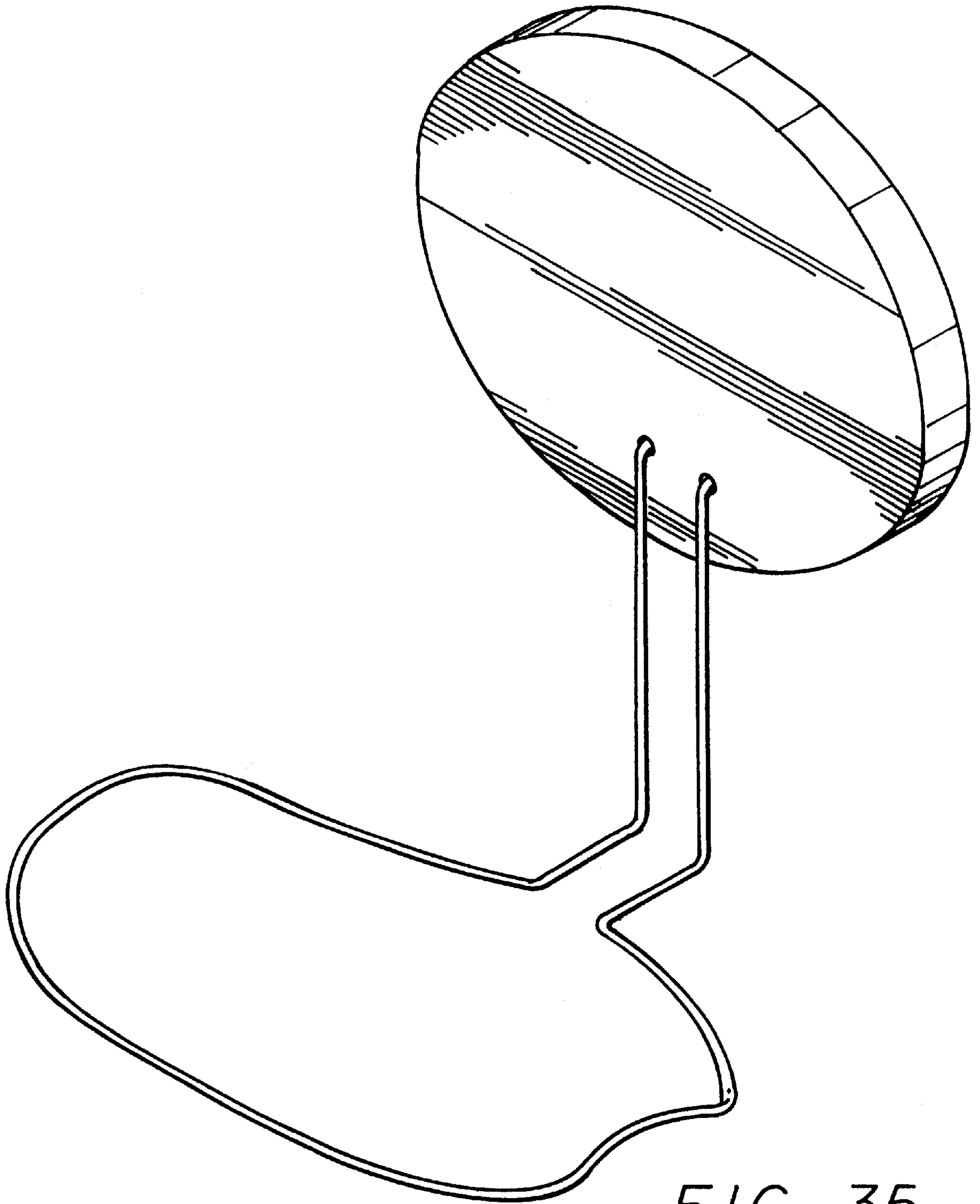


FIG. 35