



US00D441396S

(12) **United States Design Patent**
Kotaki et al.

(10) **Patent No.: US D441,396 S**

(45) **Date of Patent: ** *May 1, 2001**

(54) **INK TANK FOR PRINTER**

(75) Inventors: **Yasuo Kotaki**, Yokohama; **Masashi Ogawa**, Kawasaki; **Tsutomu Abe**, Atsugi; **Hitomi Ito**, Tokyo, all of (JP)

(73) Assignee: **Canon Kabushiki Kaisha**, Tokyo (JP)

(*) Notice: This patent is subject to a terminal disclaimer.

(**) Term: **14 Years**

(21) Appl. No.: **29/116,667**

(22) Filed: **Jan. 10, 2000**

(30) **Foreign Application Priority Data**

Jul. 14, 1999 (JP) 11-18827

(51) **LOC (7) Cl.** **18-02**

(52) **U.S. Cl.** **D18/56; 347/86**

(58) **Field of Search** **D18/56; 347/86, 347/87**

(56) **References Cited**

U.S. PATENT DOCUMENTS

- D. 367,884 * 3/1996 Taneya et al. D18/56
- D. 372,045 * 7/1996 Tokuda et al. D18/56
- D. 372,732 * 8/1996 Taneya et al. D18/56

- D. 377,046 * 12/1996 Tashiro et al. D18/56
- D. 378,527 * 3/1997 Tashiro et al. D18/56
- D. 386,520 * 11/1997 Tashiro et al. D18/56
- D. 401,620 * 11/1998 Nozawa et al. D18/56
- D. 401,621 * 11/1998 Shimizu et al. D18/56
- D. 404,067 * 1/1999 Tashiro et al. D18/56
- D. 423,568 * 4/2000 Inoue et al. D18/56
- D. 425,932 * 5/2000 Shimizu et al. D18/56
- 5,619,237 * 4/1997 Inoue et al. 347/86

* cited by examiner

Primary Examiner—Cathy Anne MacCormac
(74) *Attorney, Agent, or Firm*—Fitzpatrick, Cella, Harper & Scinto

(57) **CLAIM**

The ornamental design for an ink tank for printer, as shown and described.

DESCRIPTION

FIG. 1 is a front view of an ink tank for printer showing our new design;
FIG. 2 is a rear view thereof;
FIG. 3 is a top plan view thereof;
FIG. 4 is a bottom plan view thereof;
FIG. 5 is a left side view thereof;
FIG. 6 is a right side view thereof; and,
FIG. 7 is a perspective view thereof.

1 Claim, 3 Drawing Sheets

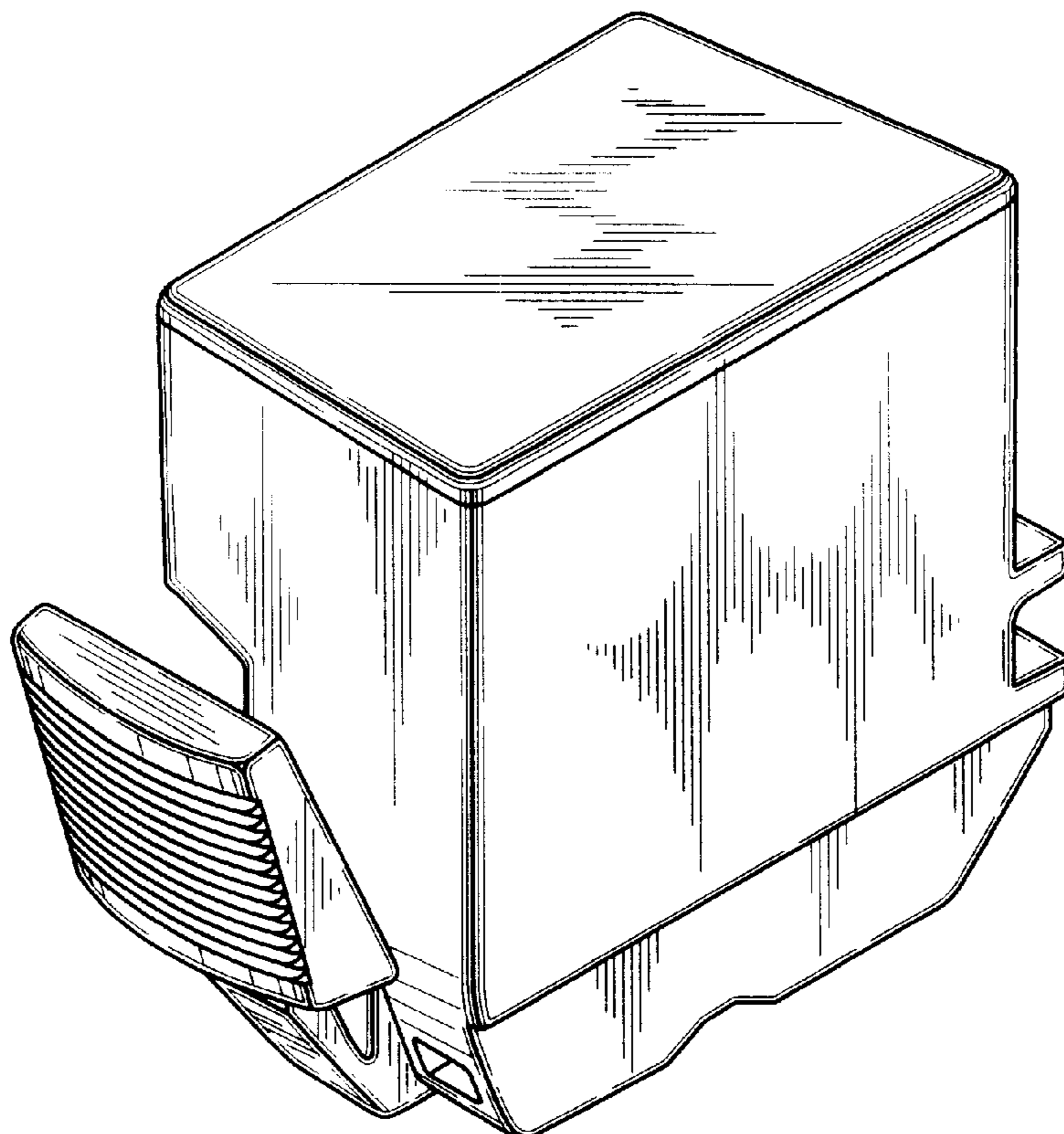


FIG. 1

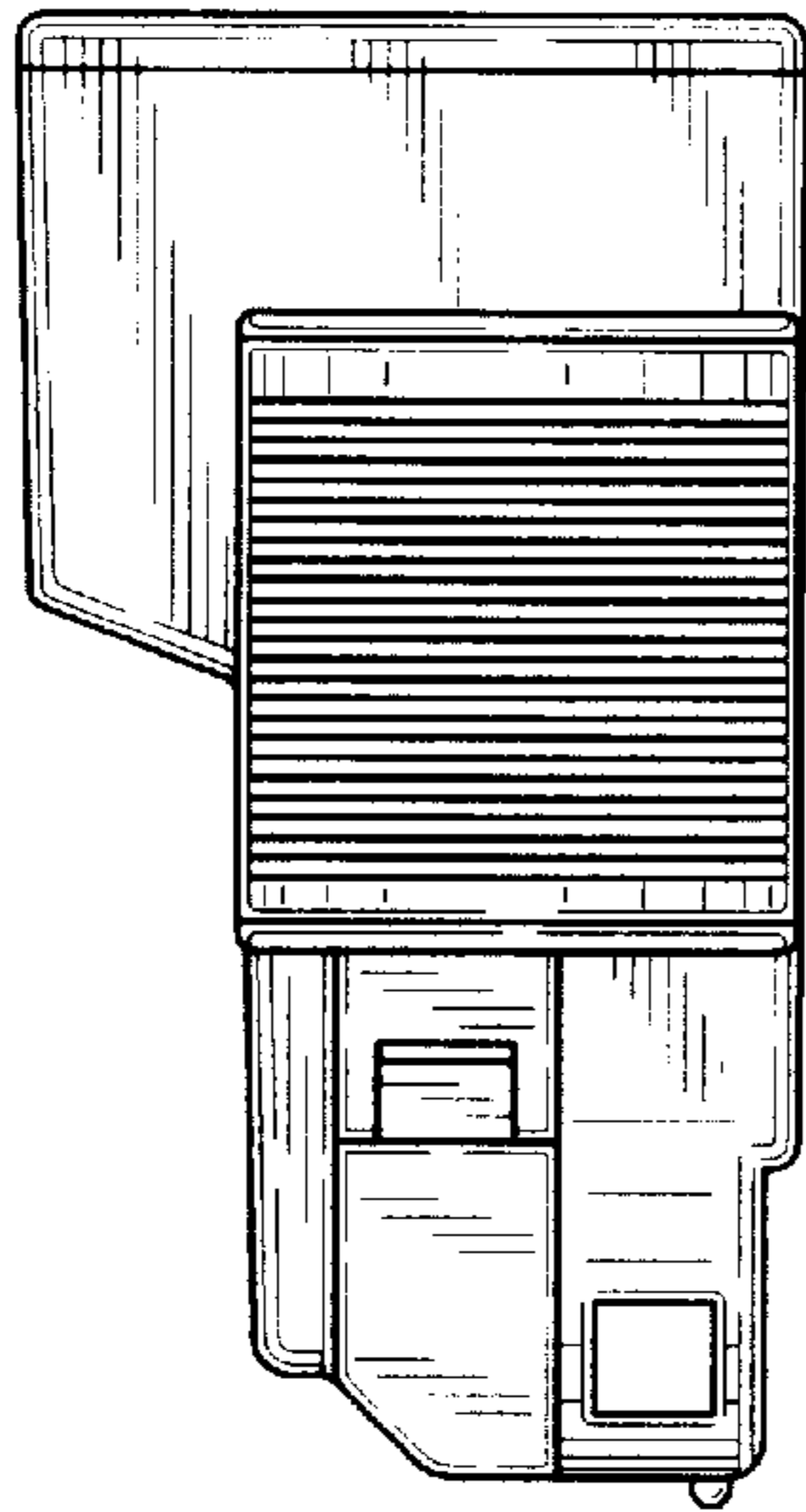


FIG. 2

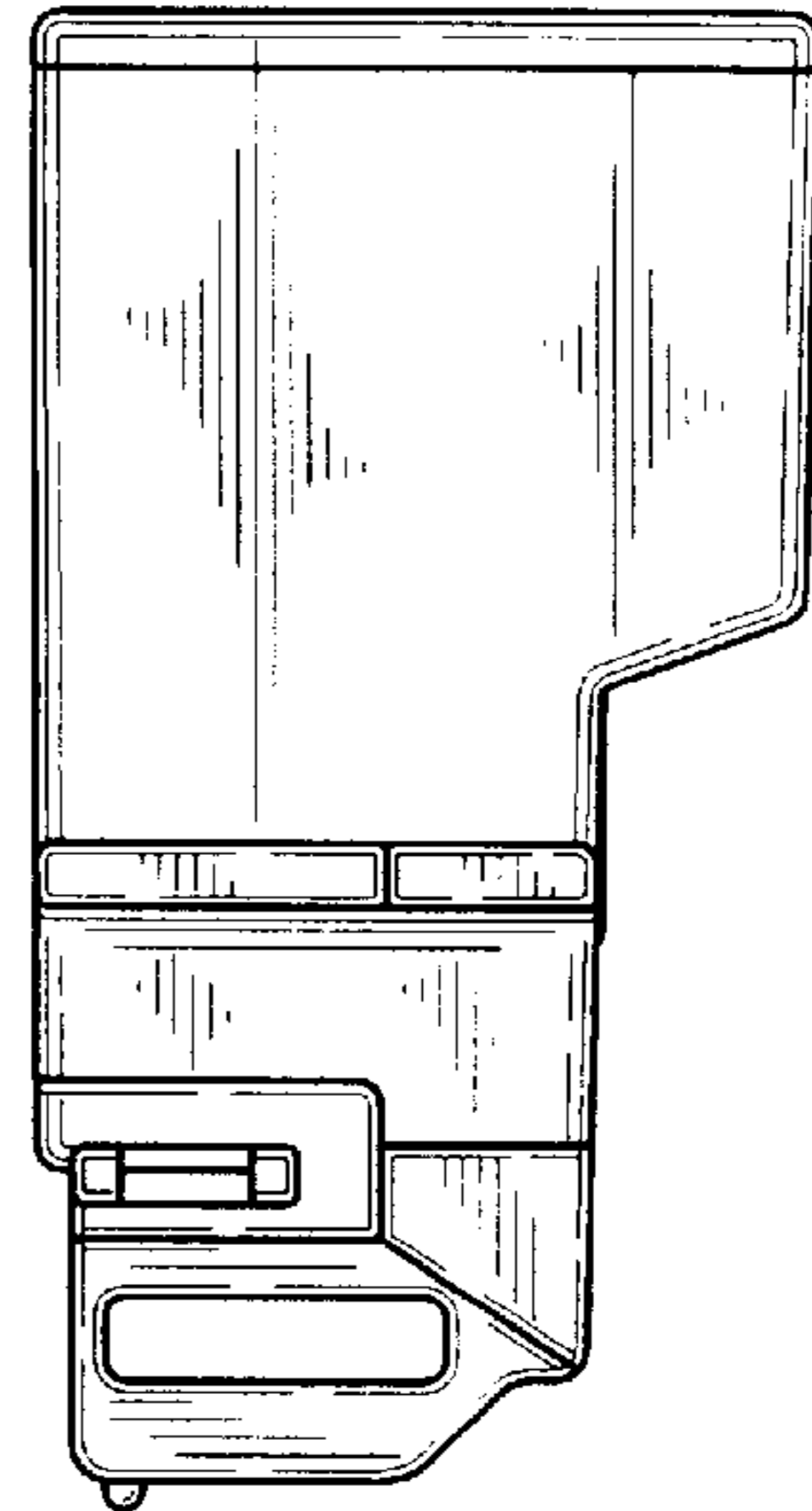


FIG. 3

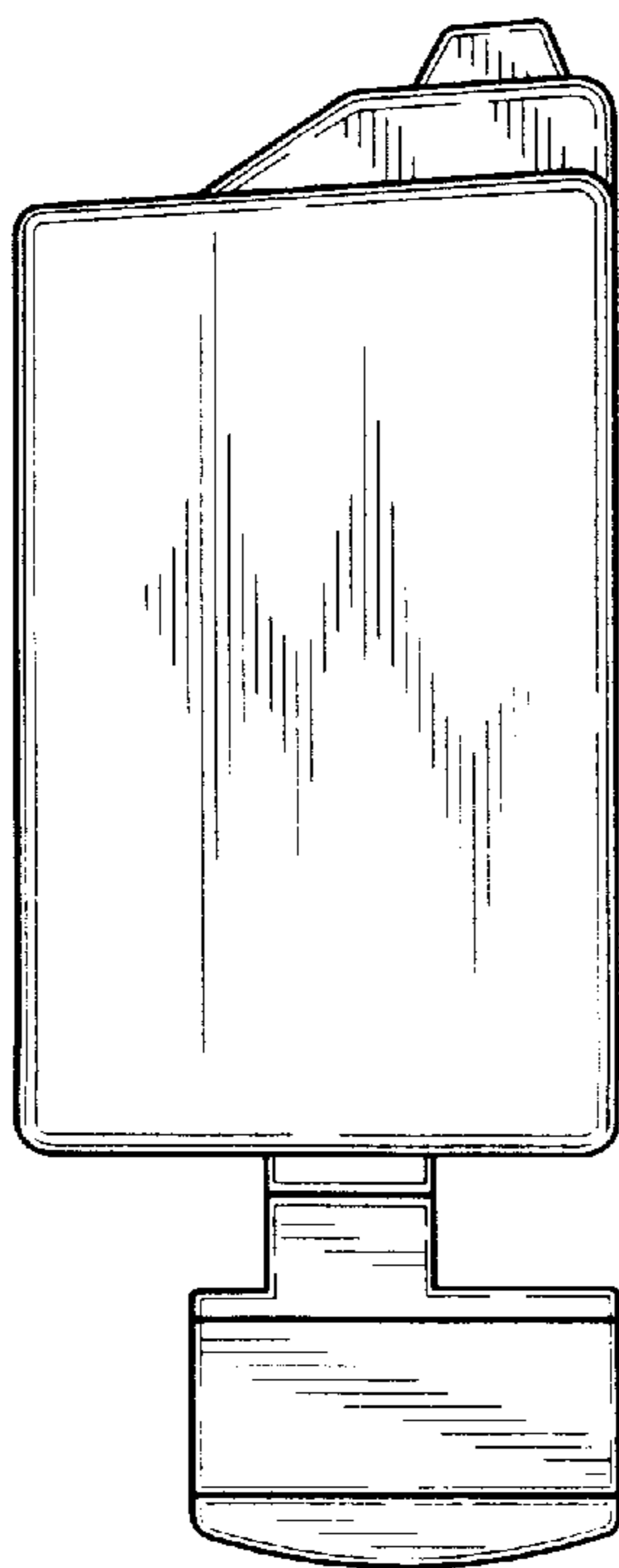


FIG. 4

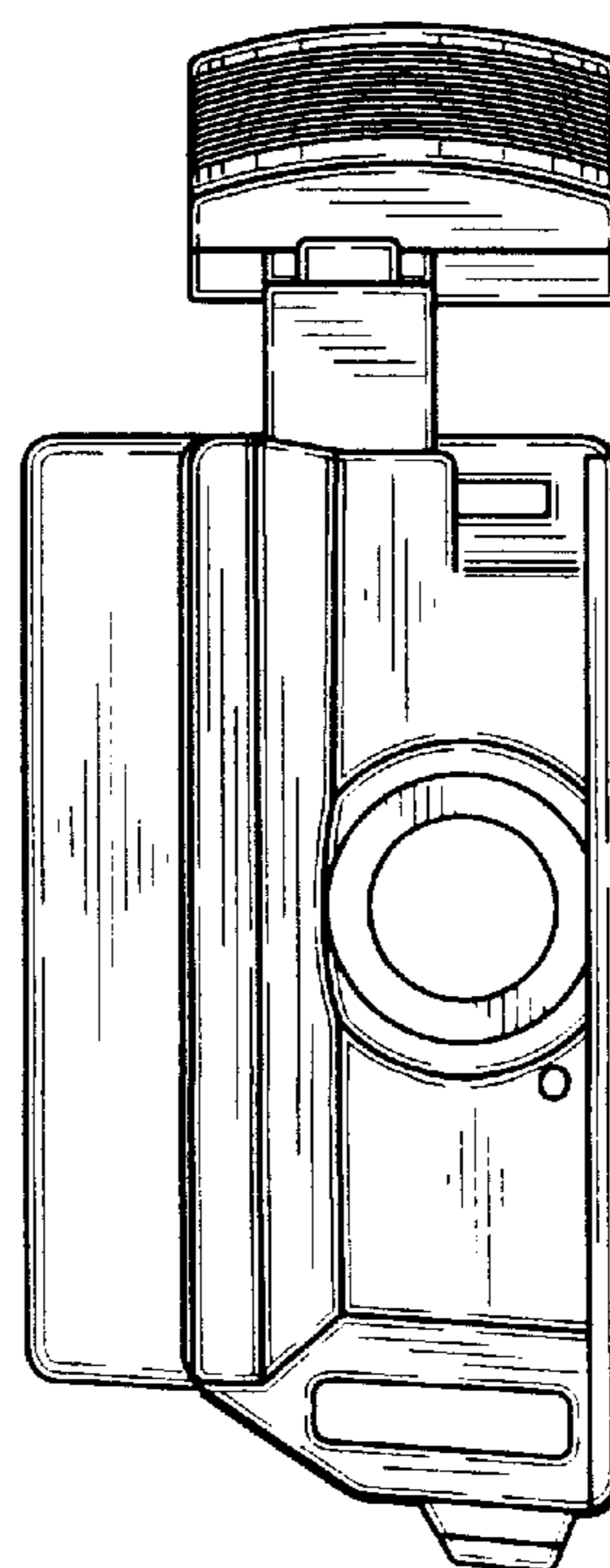


FIG. 5

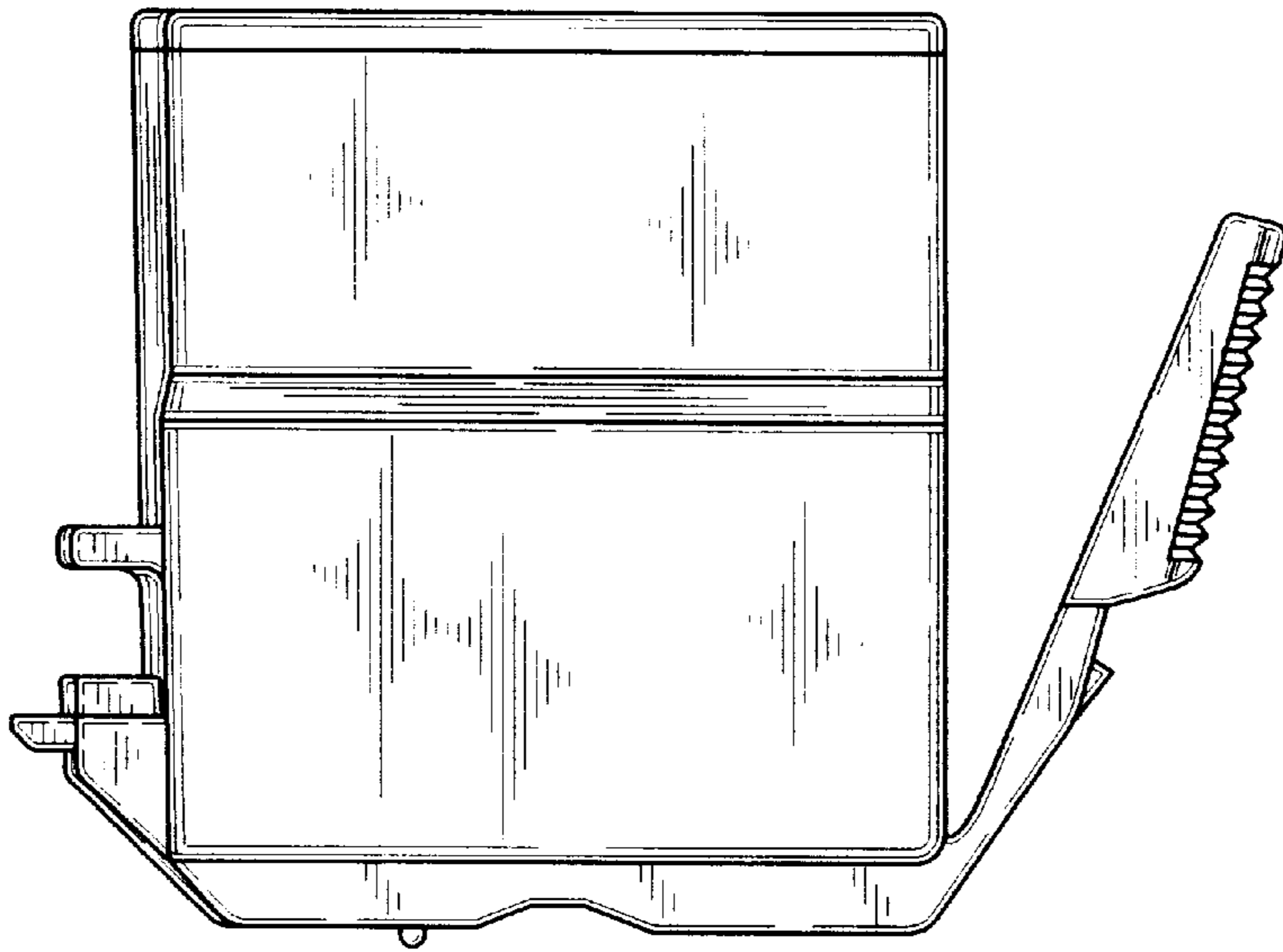


FIG. 6

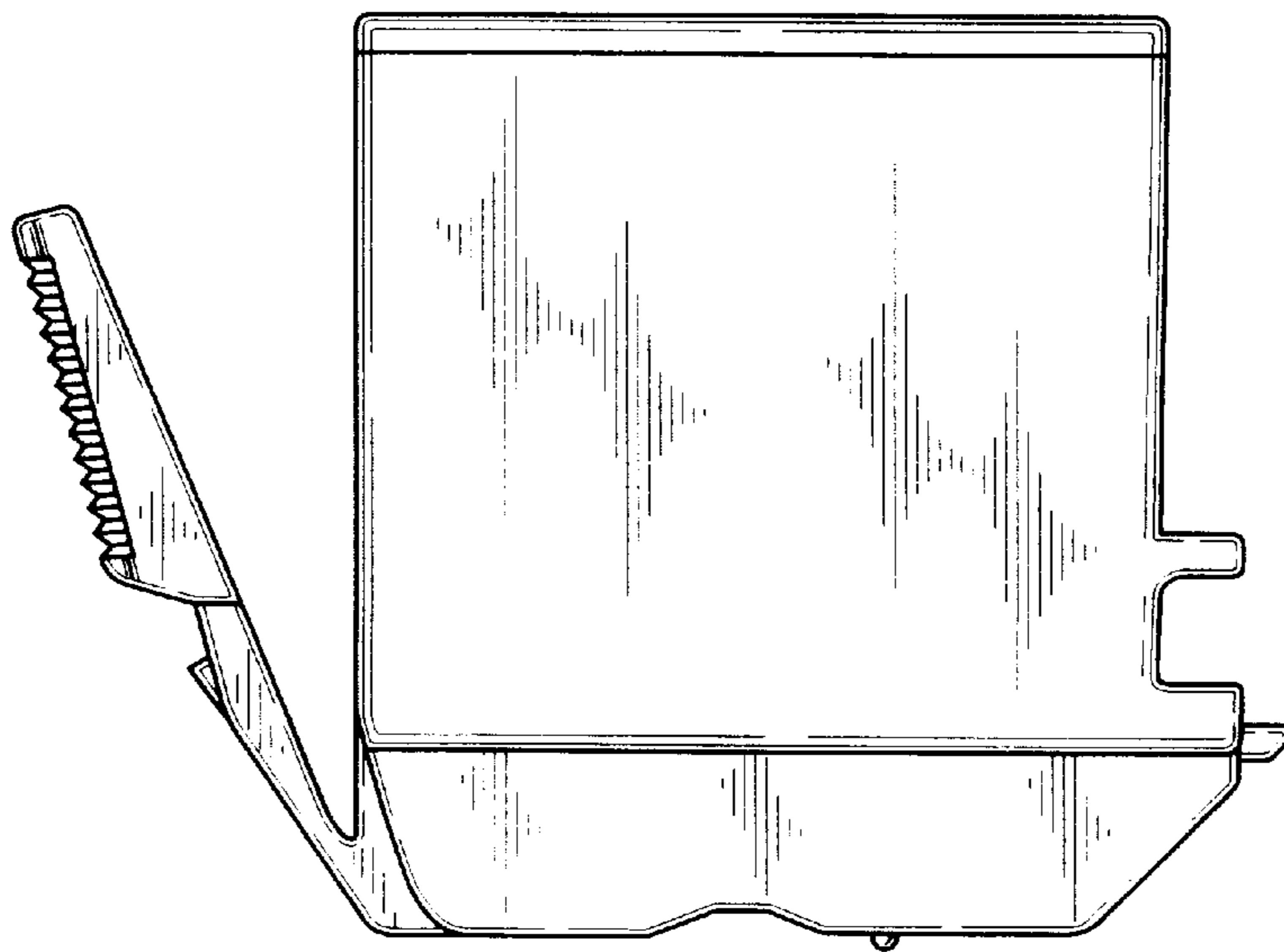


FIG. 7

