



US00D441394S

(12) **United States Design Patent**  
**Kobayashi et al.**

(10) **Patent No.:** **US D441,394 S**

(45) **Date of Patent:** **\*\* May 1, 2001**

(54) **PRINTER FOR COMPUTER**

D. 425,552 \* 5/2000 Kobayashi et al. .... D18/54  
D. 427,235 \* 6/2000 Kaseno et al. .... D18/54

(75) Inventors: **Makoto Kobayashi; Toshihiro Hayakawa**, both of Nagano (JP)

**FOREIGN PATENT DOCUMENTS**

979210 4/1997 (JP) .

(73) Assignee: **Seiko Epson Corporation**, Tokyo (JP)

\* cited by examiner

(\*\*) Term: **14 Years**

*Primary Examiner*—Cathy Anne MacCormac

(21) Appl. No.: **29/116,560**

(74) *Attorney, Agent, or Firm*—Stroock & Stroock & Lavan LLP

(22) Filed: **Jan. 5, 2000**

(30) **Foreign Application Priority Data**

Jul. 5, 1999 (JP) ..... 11-17841

(57) **CLAIM**

The ornamental design for a printer for computer, as shown and described.

(51) **LOC (7) Cl.** ..... **14-02**

**DESCRIPTION**

(52) **U.S. Cl.** ..... **D18/54**

(58) **Field of Search** ..... D18/36-39, 50,  
D18/54-55; D14/462-470; 400/613, 613.1-613.4,  
690.1-690.4, 691-694

FIG. 1 is a front perspective view of a printer for computer showing our new design;  
FIG. 2 is a top plan view thereof;  
FIG. 3 is a front elevational view thereof;  
FIG. 4 is a right side elevational view thereof;  
FIG. 5 is a left side elevational view thereof;  
FIG. 6 is a rear elevational view thereof;  
FIG. 7 is a bottom plan view thereof; and,  
FIG. 8 is an another front perspective view in a different position.

(56) **References Cited**

**U.S. PATENT DOCUMENTS**

D. 376,814 \* 12/1996 Asai et al. .... D18/50  
D. 382,583 \* 8/1997 Takahashi et al. .... D18/55  
D. 387,085 \* 12/1997 Masujima et al. .... D18/54  
D. 389,861 \* 1/1998 Kobayashi et al. .... D18/55  
D. 400,571 \* 11/1998 Shimizu ..... D18/54  
D. 400,918 \* 11/1998 Kobayashi et al. .... D18/55

**1 Claim, 5 Drawing Sheets**

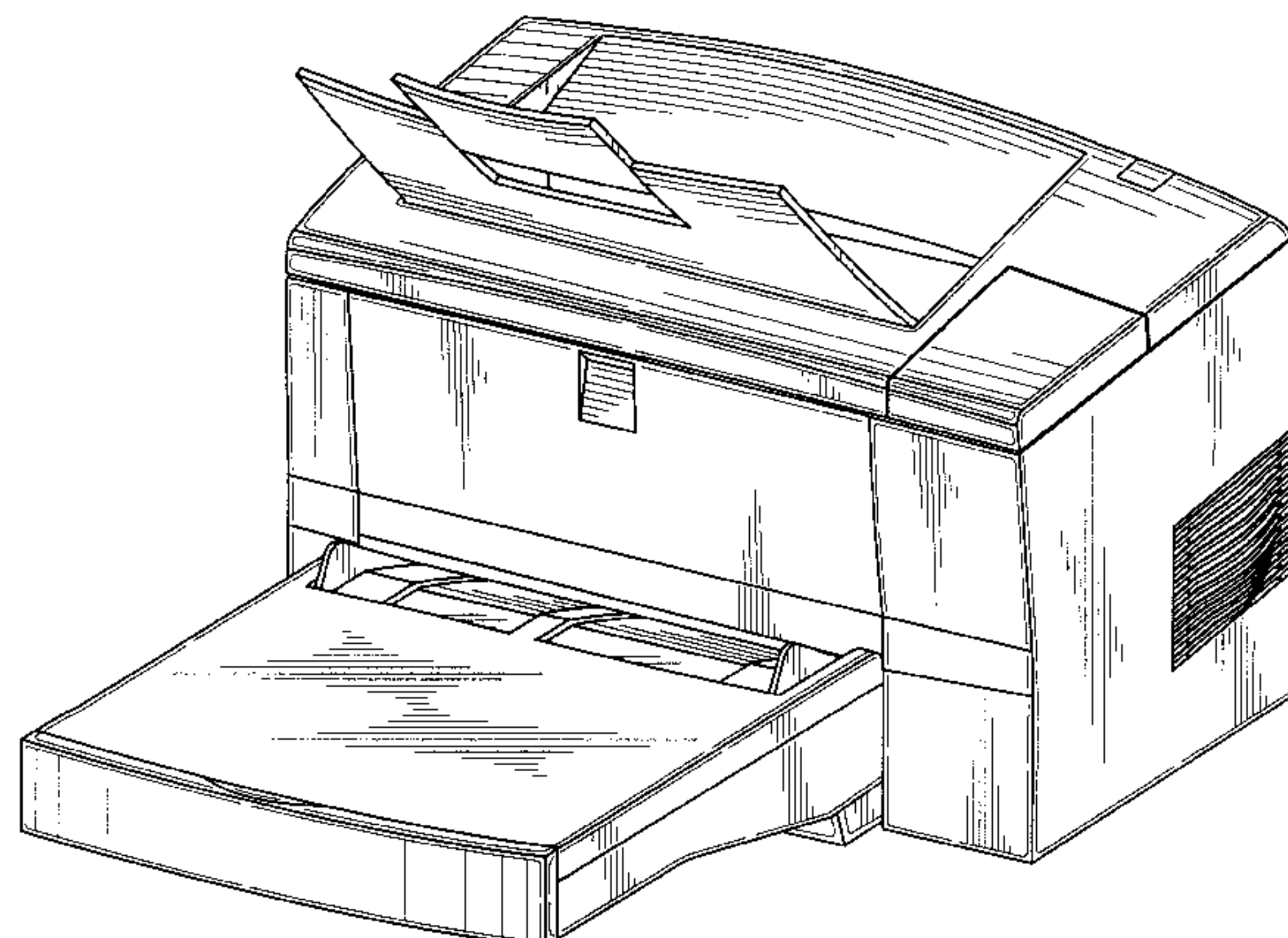
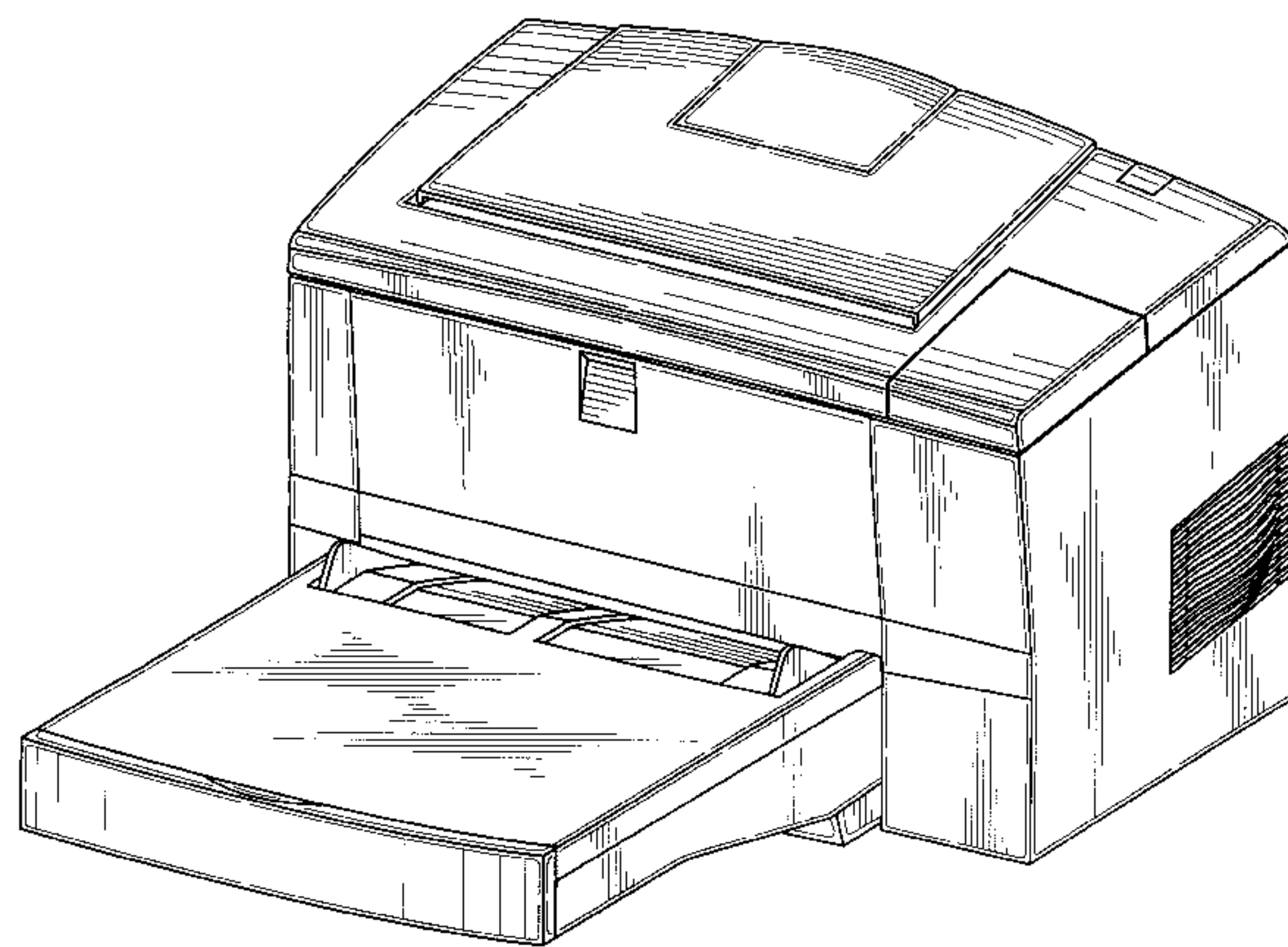
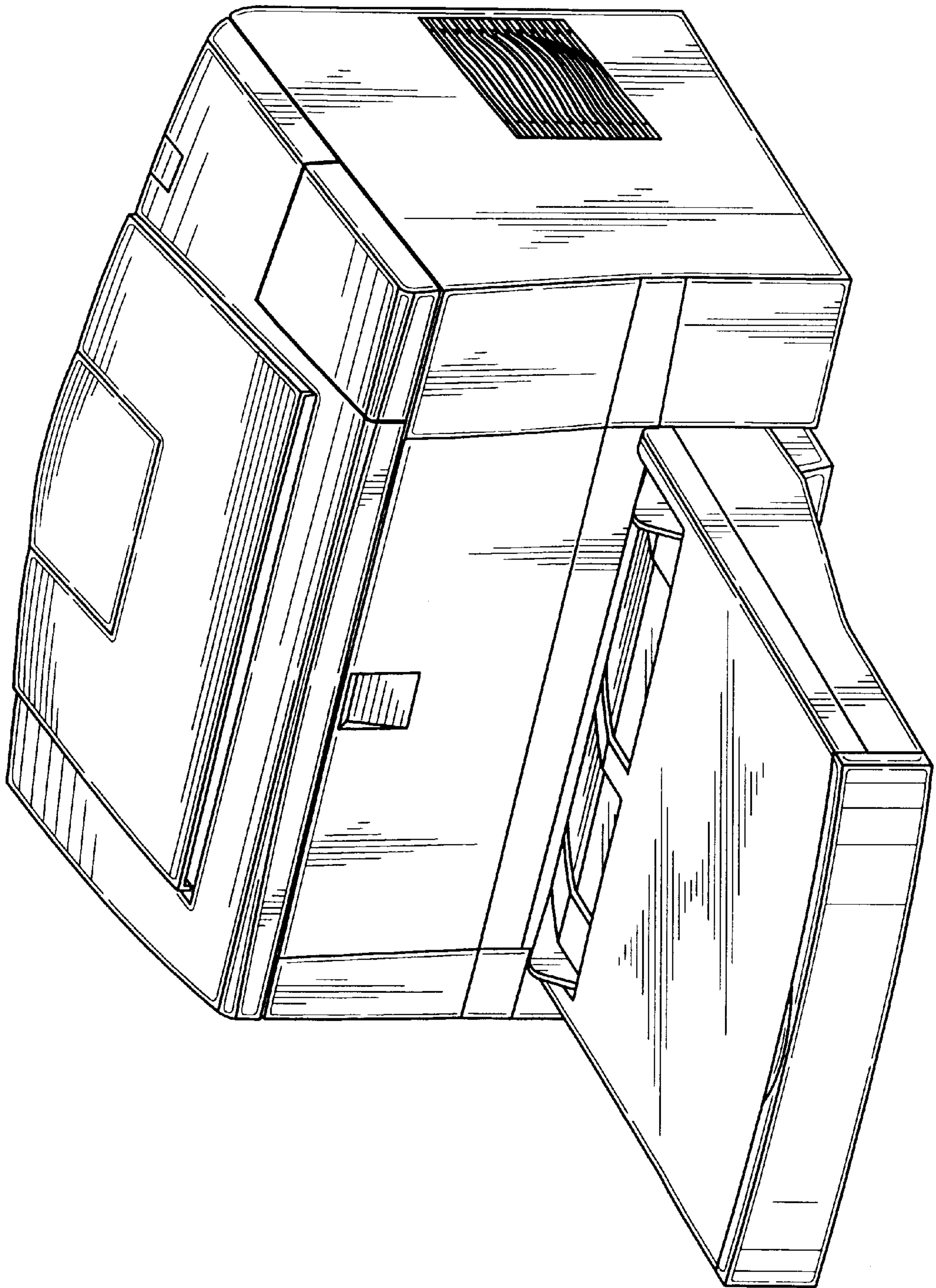
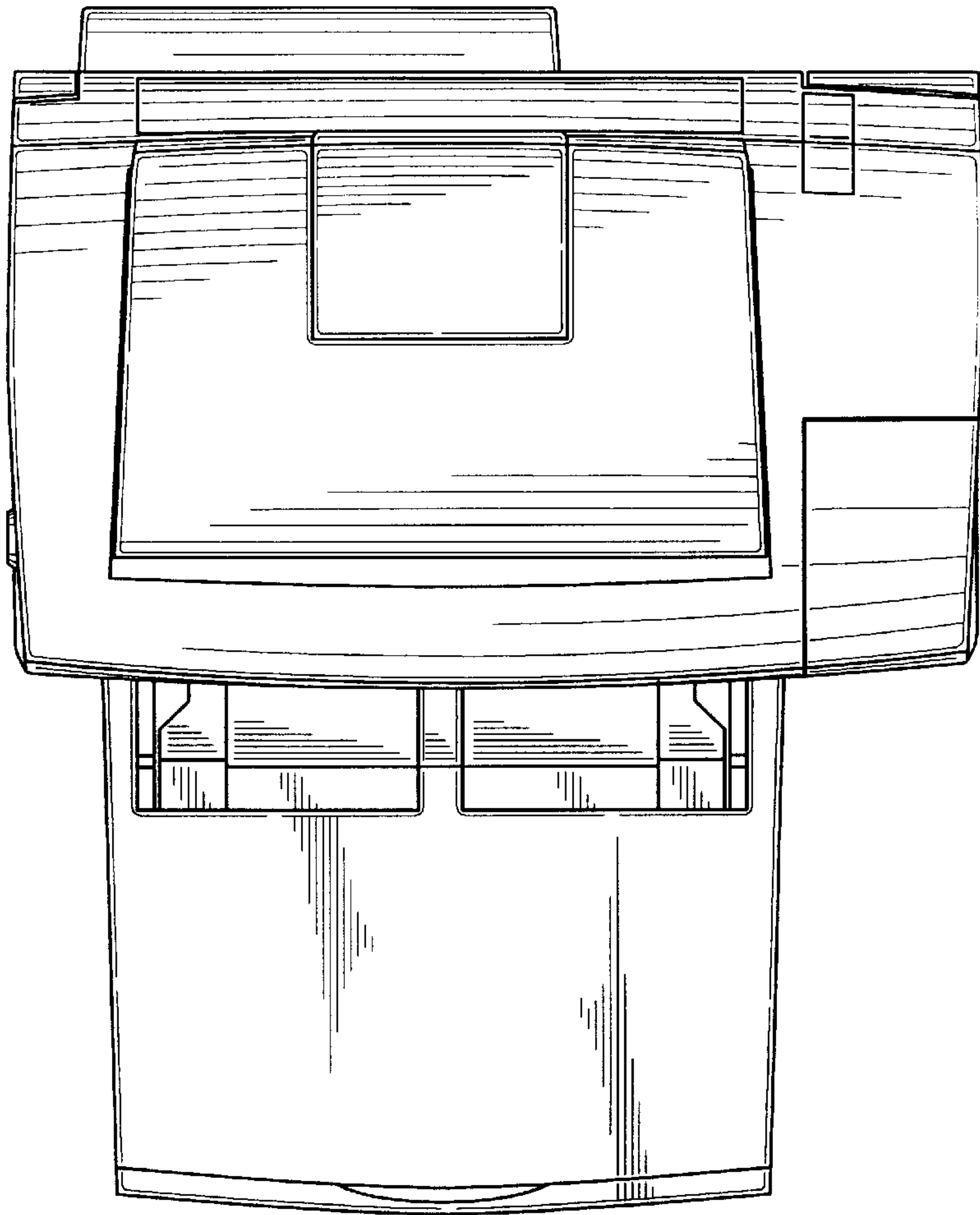


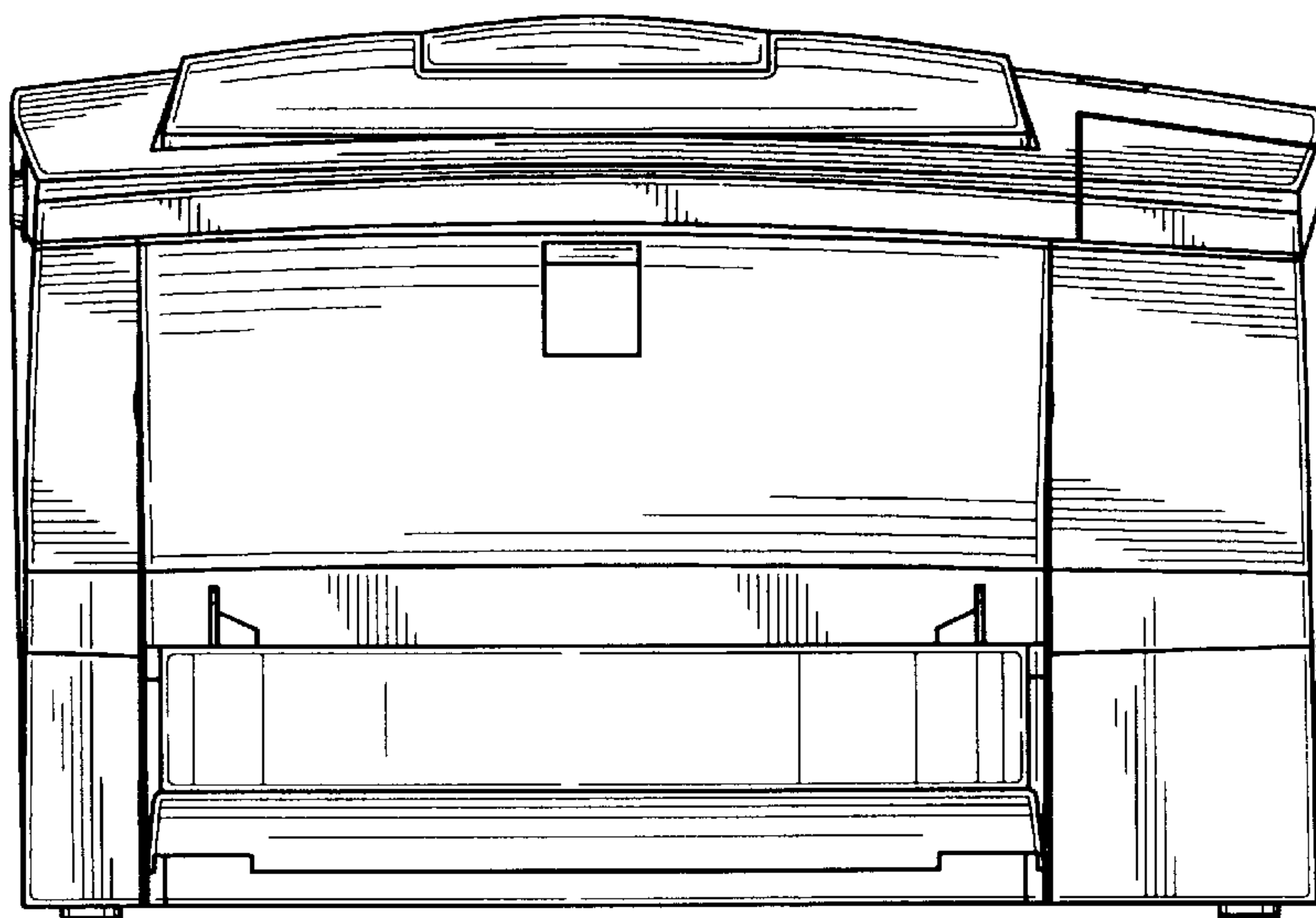
FIG. 1



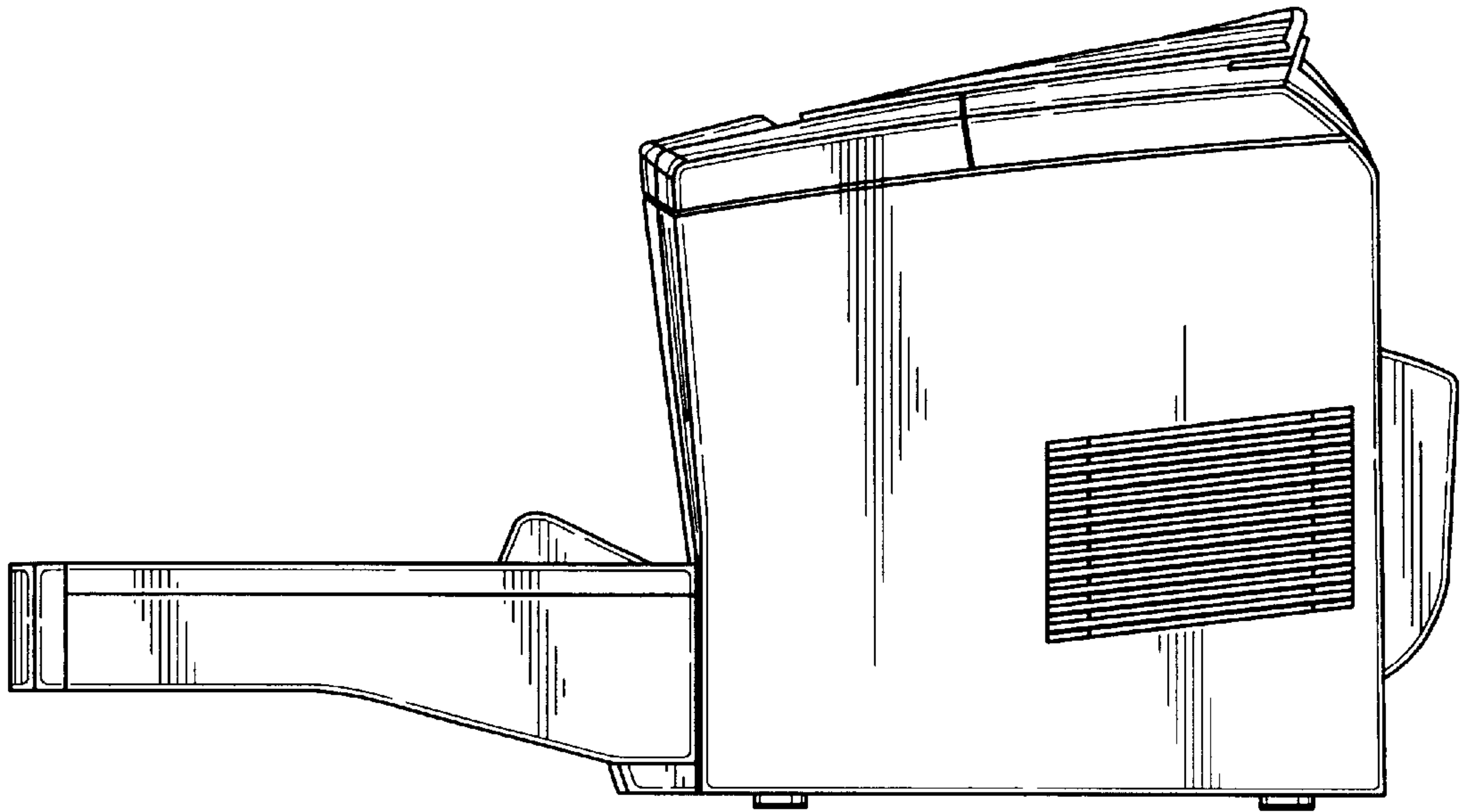
*FIG. 2*



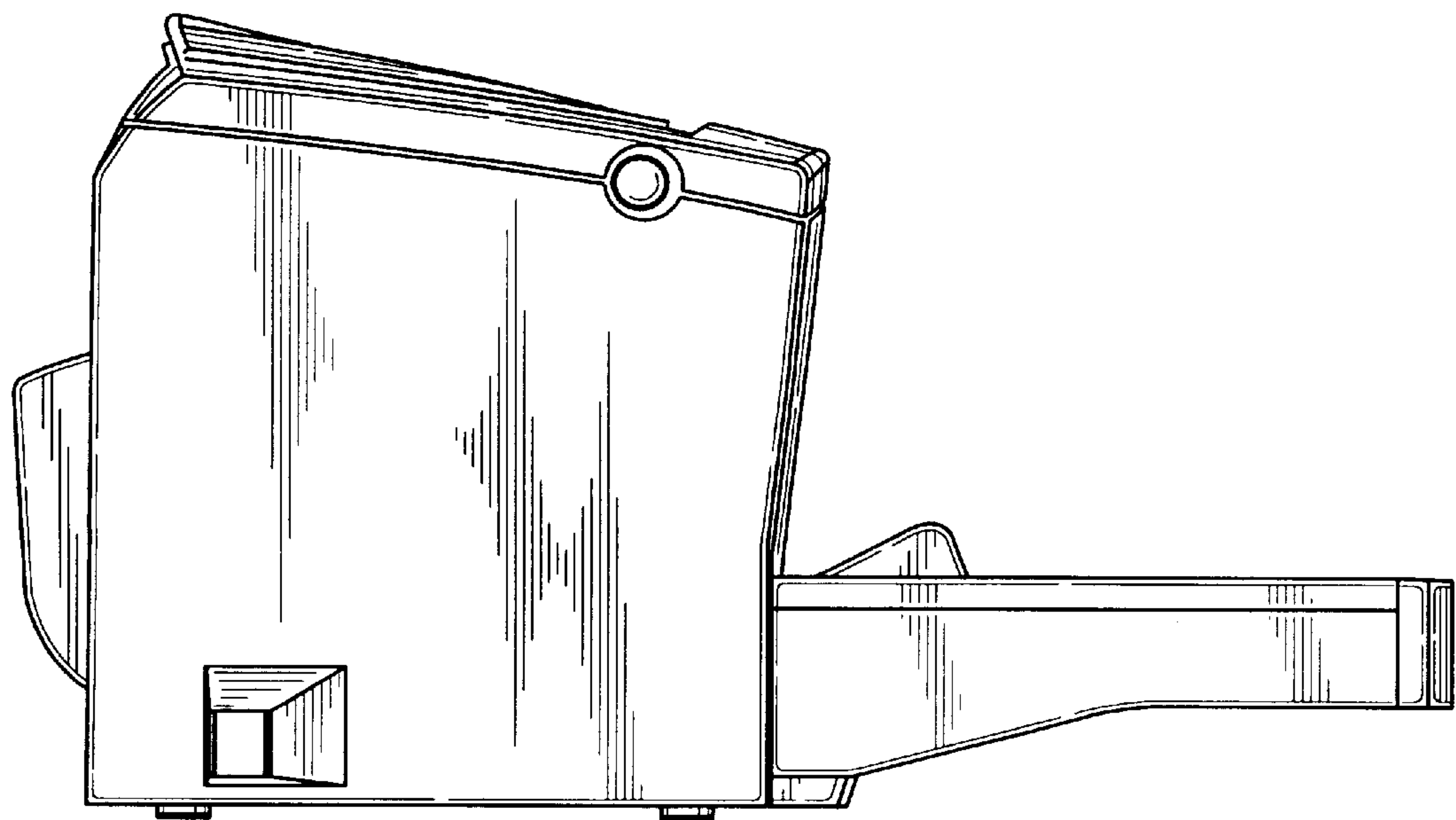
*FIG. 3*



**FIG. 4**

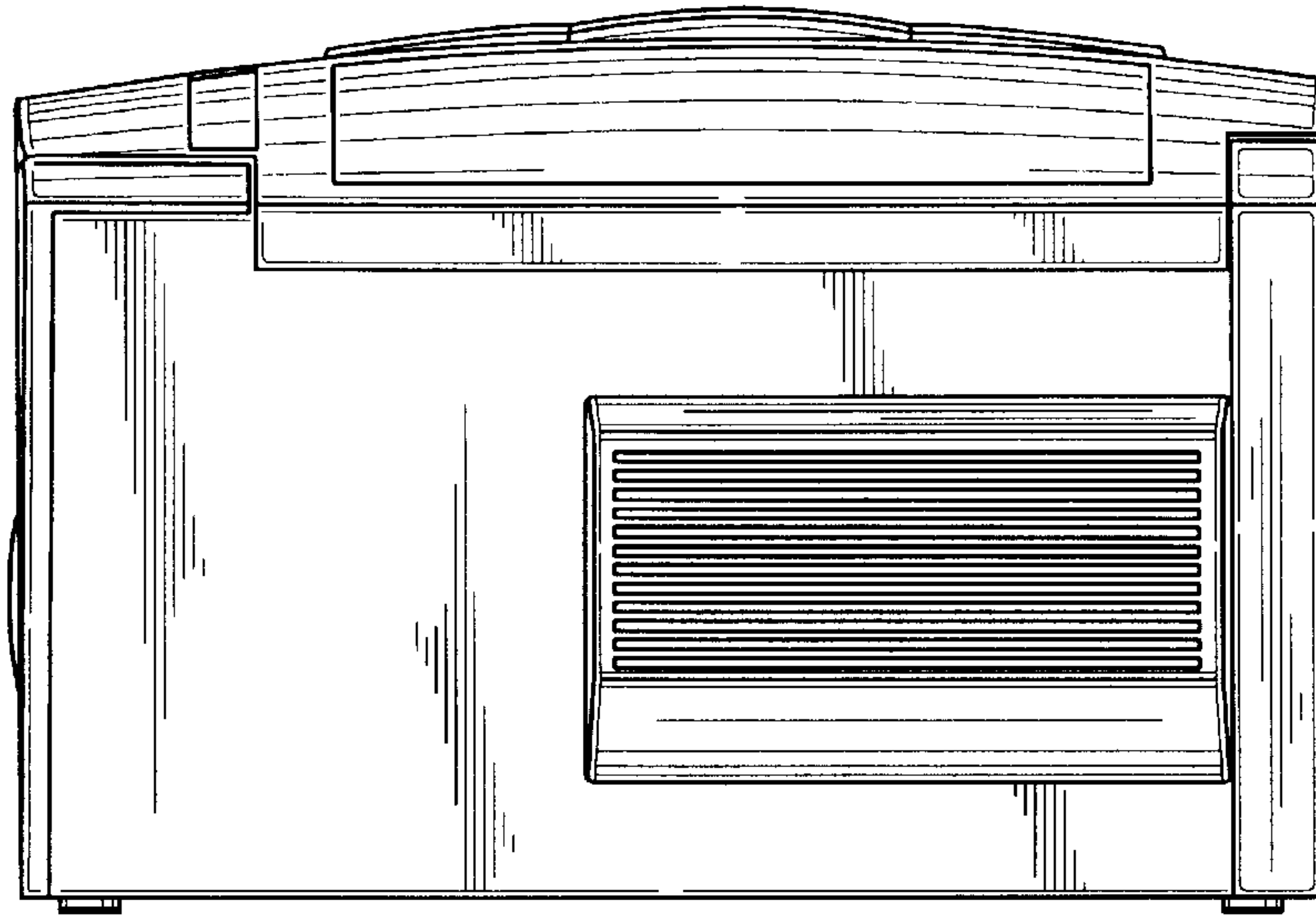


**FIG. 5**





*FIG. 6*



*FIG. 7*

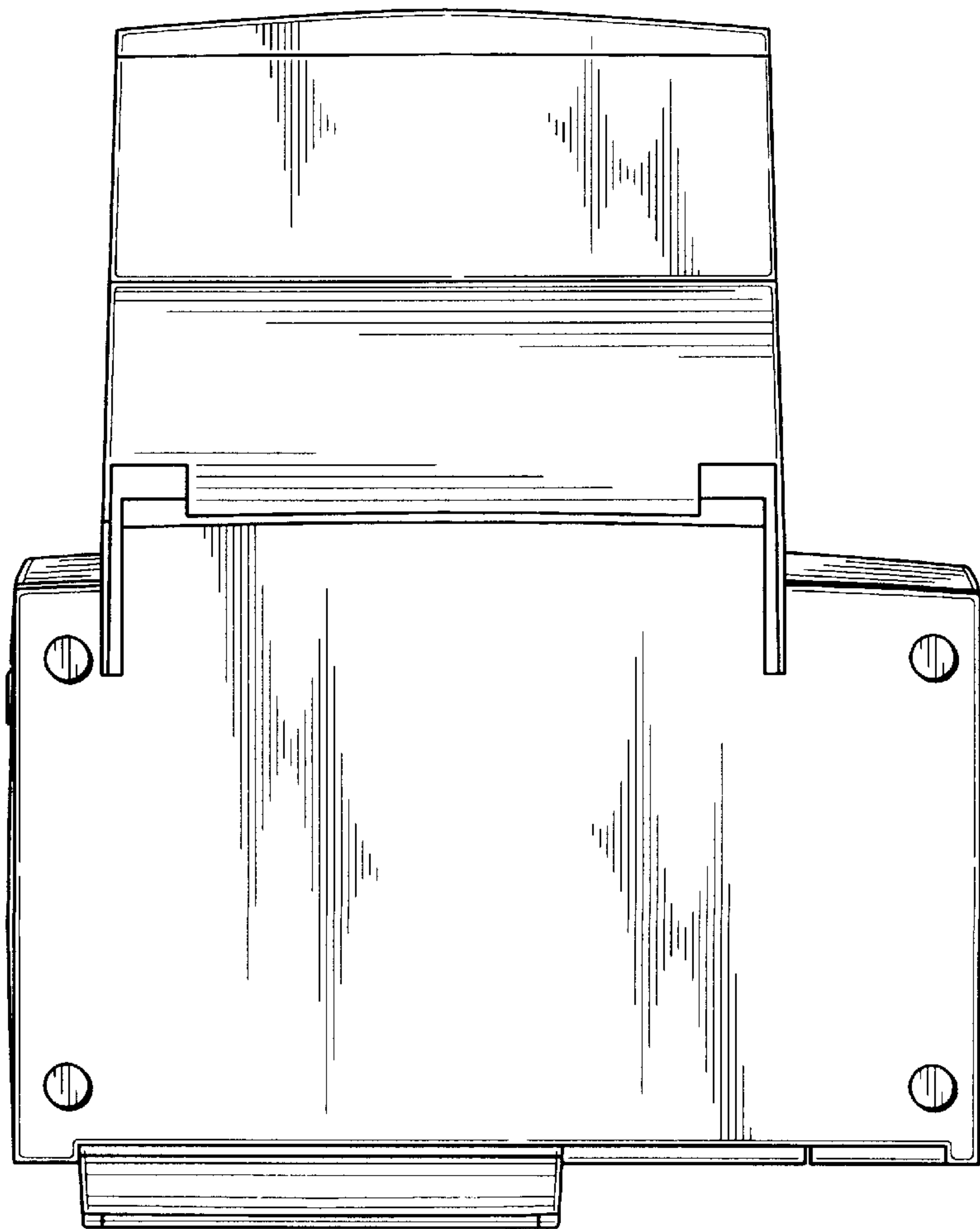


FIG. 8

