



US00D441387S

(12) **United States Design Patent**
Saeki et al.

(10) **Patent No.:** **US D441,387 S**

(45) **Date of Patent:** **** May 1, 2001**

(54) **VIDEO PROJECTOR**

(75) Inventors: **Taisuke Saeki; Harumi Sakamoto;**
Kohichi Iida, all of Tochigi-ken (JP)

(73) Assignee: **Sharp Kabushiki Kaisha**, Osaka (JP)

(**) Term: **14 Years**

(21) Appl. No.: **29/132,263**

(22) Filed: **Nov. 7, 2000**

(30) **Foreign Application Priority Data**

May 18, 2000 (JP) 12-013089

(51) **LOC (7) Cl.** **16-02**

(52) **U.S. Cl.** **D16/230; D16/225**

(58) **Field of Search** D16/205, 208,
D16/221, 225, 230, 231, 234; D21/514;
352/342, 343; 353/115, 119, 122

(56) **References Cited**

U.S. PATENT DOCUMENTS

D. 343,850	2/1994	Saeki et al.	D16/234
D. 356,103	3/1995	Saeki et al.	D16/221
D. 364,416	11/1995	Saeki et al.	D16/231
D. 365,587	12/1995	Saeki et al.	D16/234
D. 387,795	12/1997	Sakamoto	D16/231

D. 388,111	*	12/1997	Iida	D16/231
D. 391,592		3/1998	Sakamoto et al.	D16/231
D. 398,321		9/1998	Iida	D16/230
D. 398,622	*	9/1998	Saeki et al.	D16/231
D. 412,926		8/1999	Saeki et al.	D16/231
D. 419,581	*	1/2000	Ishibashi et al.	D16/225
D. 425,539	*	5/2000	Fujii et al.	D16/225
D. 429,270	*	8/2000	Ishibashi et al.	D16/225
6,053,616	*	4/2000	Fujimori et al.	353/119

* cited by examiner

Primary Examiner—Adir Aronovich

(74) *Attorney, Agent, or Firm*—Nixon & Vanderhye

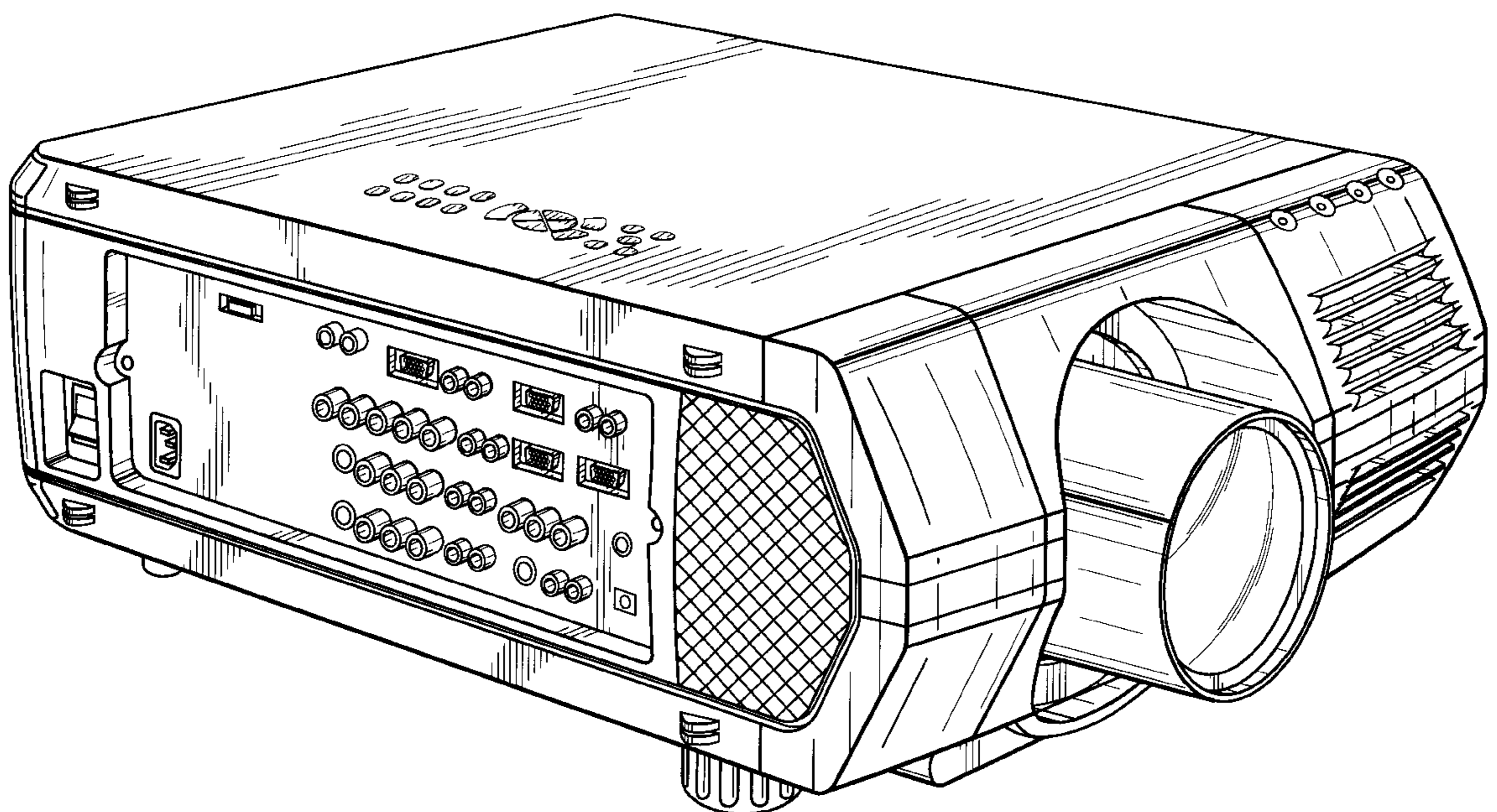
(57) **CLAIM**

The ornamental design for a video projector, as shown and described.

DESCRIPTION

FIG. 1 is a top, left, side and front perspective view of a video projector according to our design;
FIG. 2 is a front elevational view thereof;
FIG. 3 is a rear elevational view thereof;
FIG. 4 is a top plan view thereof;
FIG. 5 is a bottom plan view thereof;
FIG. 6 is a right side elevational view thereof; and,
FIG. 7 is a left side elevational view thereof.

1 Claim, 7 Drawing Sheets



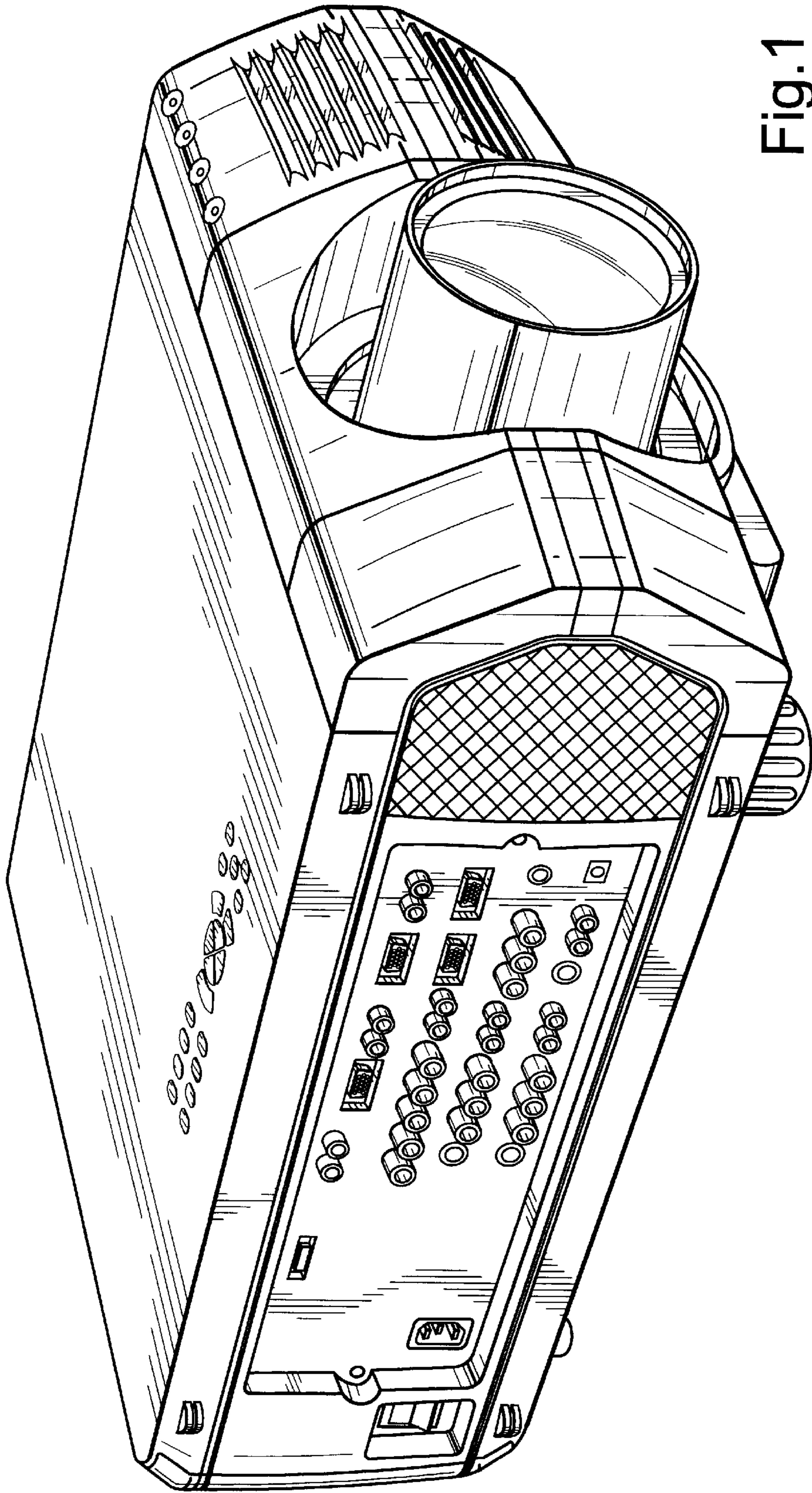


Fig. 1

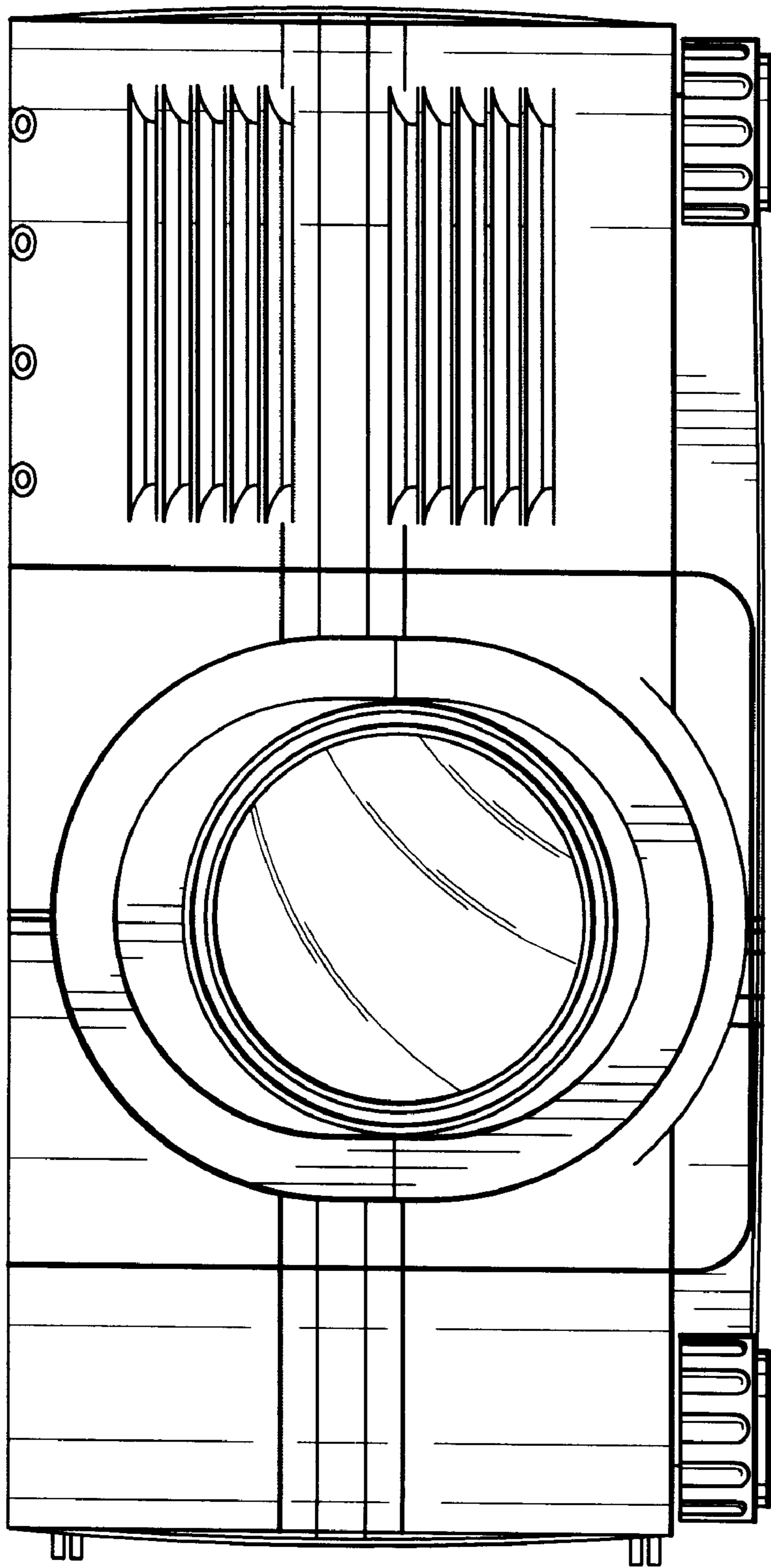


Fig. 2

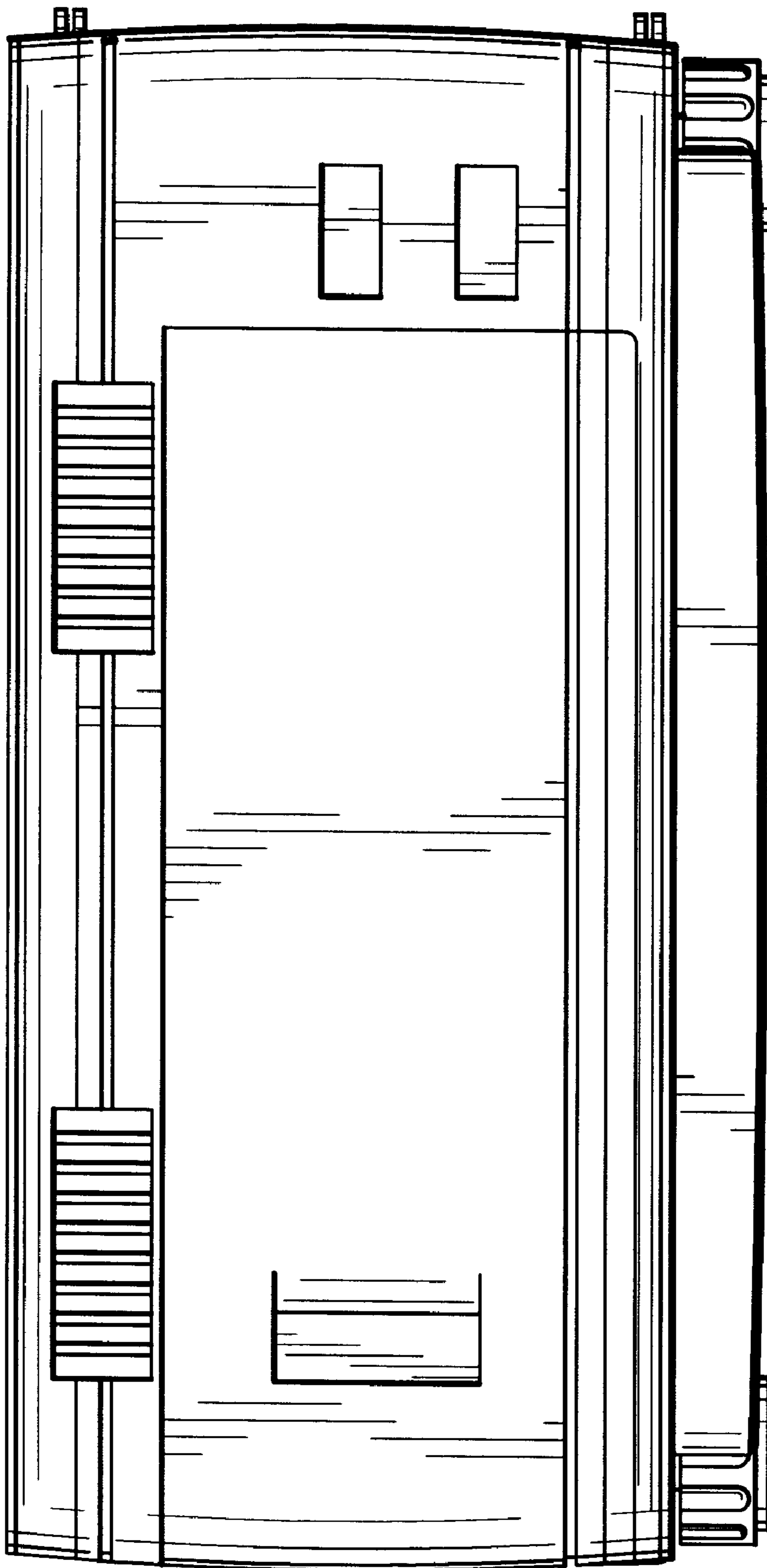


Fig. 3

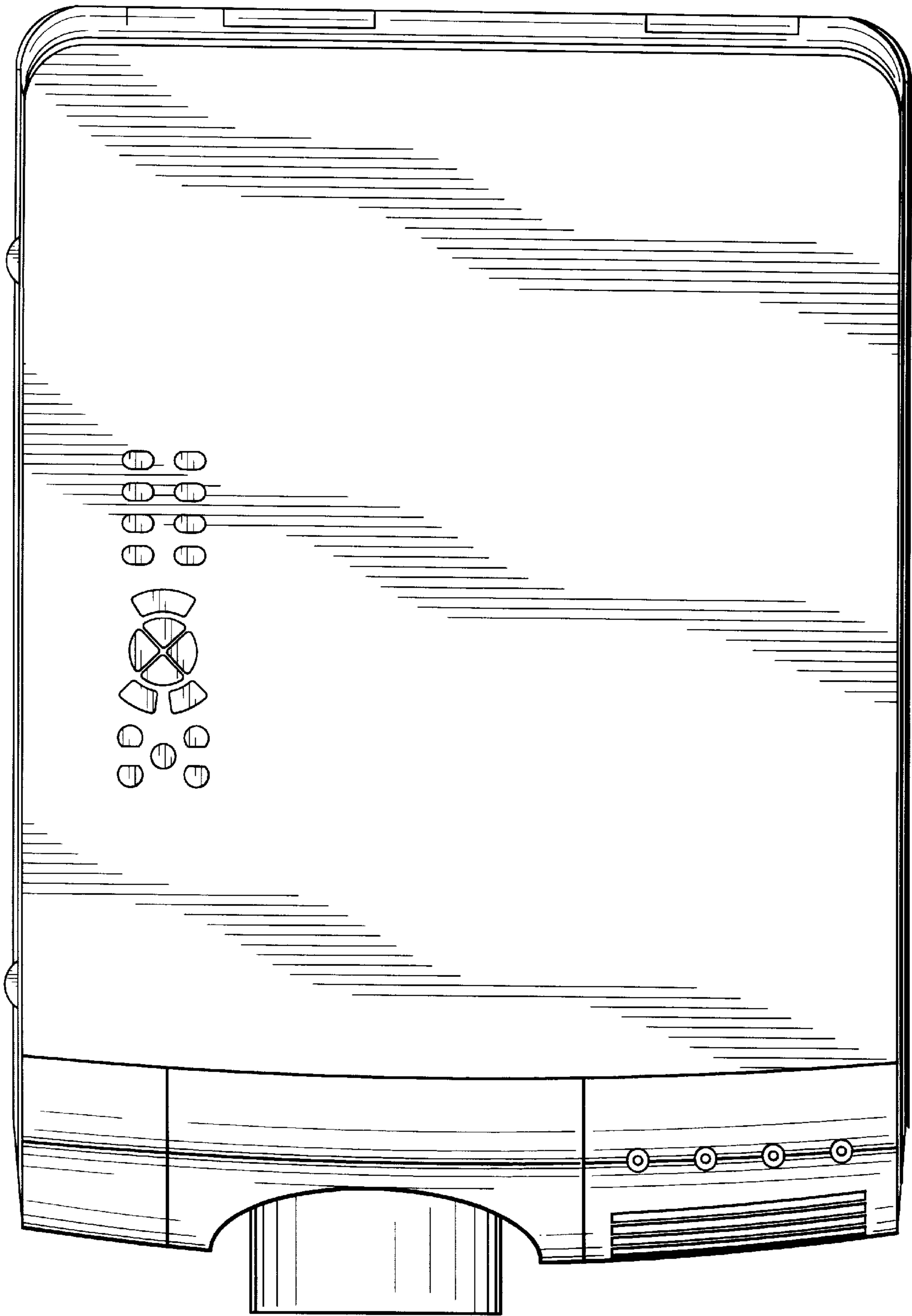


Fig.4

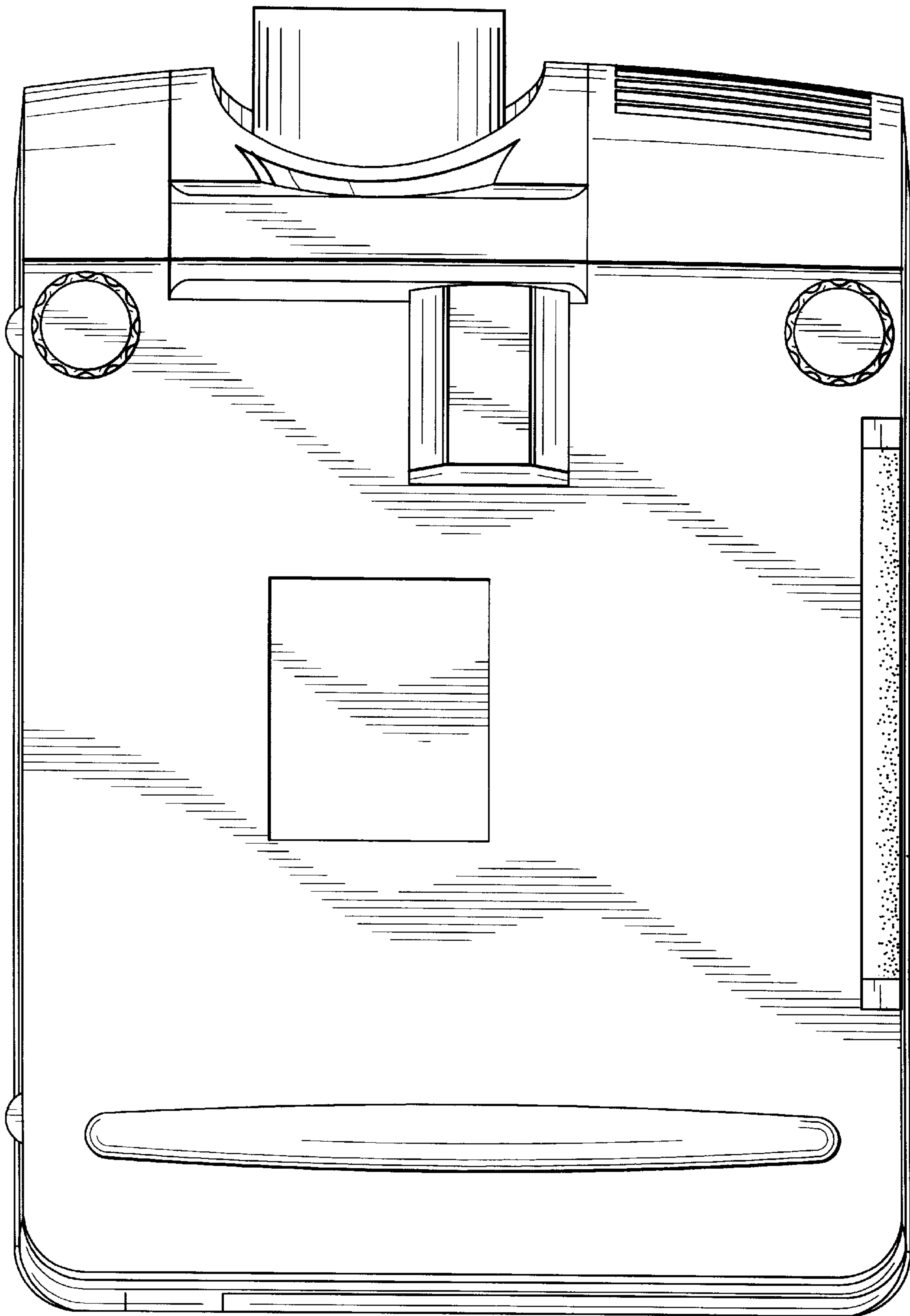


Fig.5

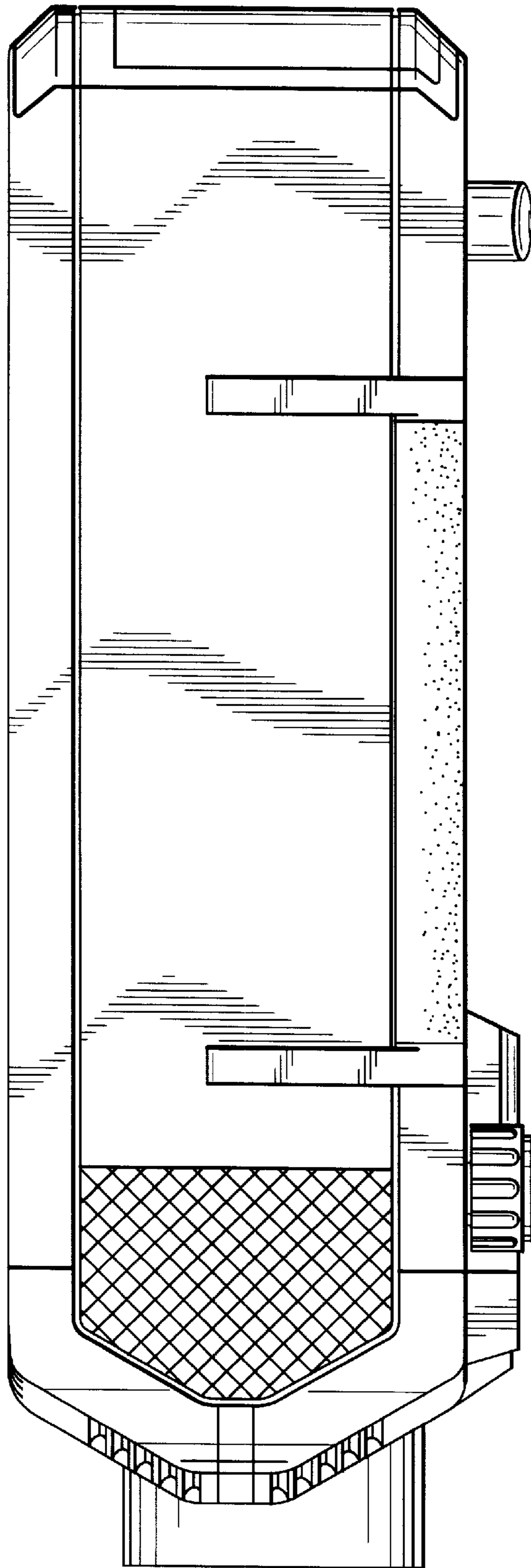


Fig.6

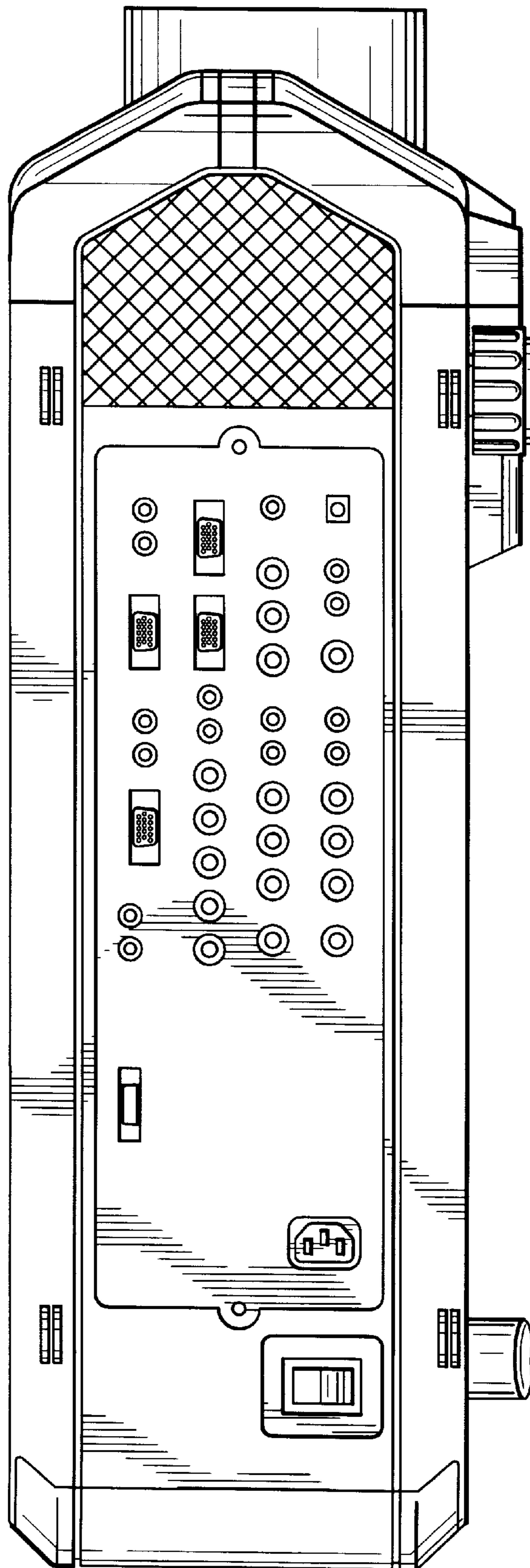


Fig.7