



US00D441386S

(12) **United States Design Patent**
Yamazaki

(10) **Patent No.:** **US D441,386 S**

(45) **Date of Patent:** **** May 1, 2001**

(54) **BODY OF A VIDEO CAMERA**

(75) **Inventor:** **Yoichi Yamazaki, Sagamihara (JP)**

(73) **Assignee:** **Fujitsu General Limited (JP)**

(**) **Term:** **14 Years**

(21) **Appl. No.:** **29/095,399**

(22) **Filed:** **Oct. 22, 1998**

(30) **Foreign Application Priority Data**

Apr. 23, 1998 (JP) 10-11866

(51) **LOC (7) Cl.** **16-01**

(52) **U.S. Cl.** **D16/203**

(58) **Field of Search** D16/200-205,
D16/208, 217, 218; 348/373-376; 396/427,
535-543

(56) **References Cited**

U.S. PATENT DOCUMENTS

D. 140,397 * 2/1945 Pollock D16/217
D. 220,406 * 4/1971 Hardy D16/203

552,633 * 1/1896 Esmond 396/535
3,563,148 * 2/1971 Newman 396/427
4,117,501 * 9/1978 Peck 396/535
4,646,141 * 2/1987 Timmermans et al. 348/373

* cited by examiner

Primary Examiner—Adir Aronovich

(74) *Attorney, Agent, or Firm*—Adams & Wilks

(57) **CLAIM**

The ornamental design for a body of a video camera, as shown and described.

DESCRIPTION

FIG. 1 is a front top perspective view of a body of a video camera showing my new design;
FIG. 2 is a front elevational view thereof;
FIG. 3 is a left side elevational view thereof;
FIG. 4 is a right side elevational view thereof;
FIG. 5 is a top plan view thereof;
FIG. 6 is a bottom plan view thereof; and,
FIG. 7 is a rear elevational view thereof.

1 Claim, 4 Drawing Sheets

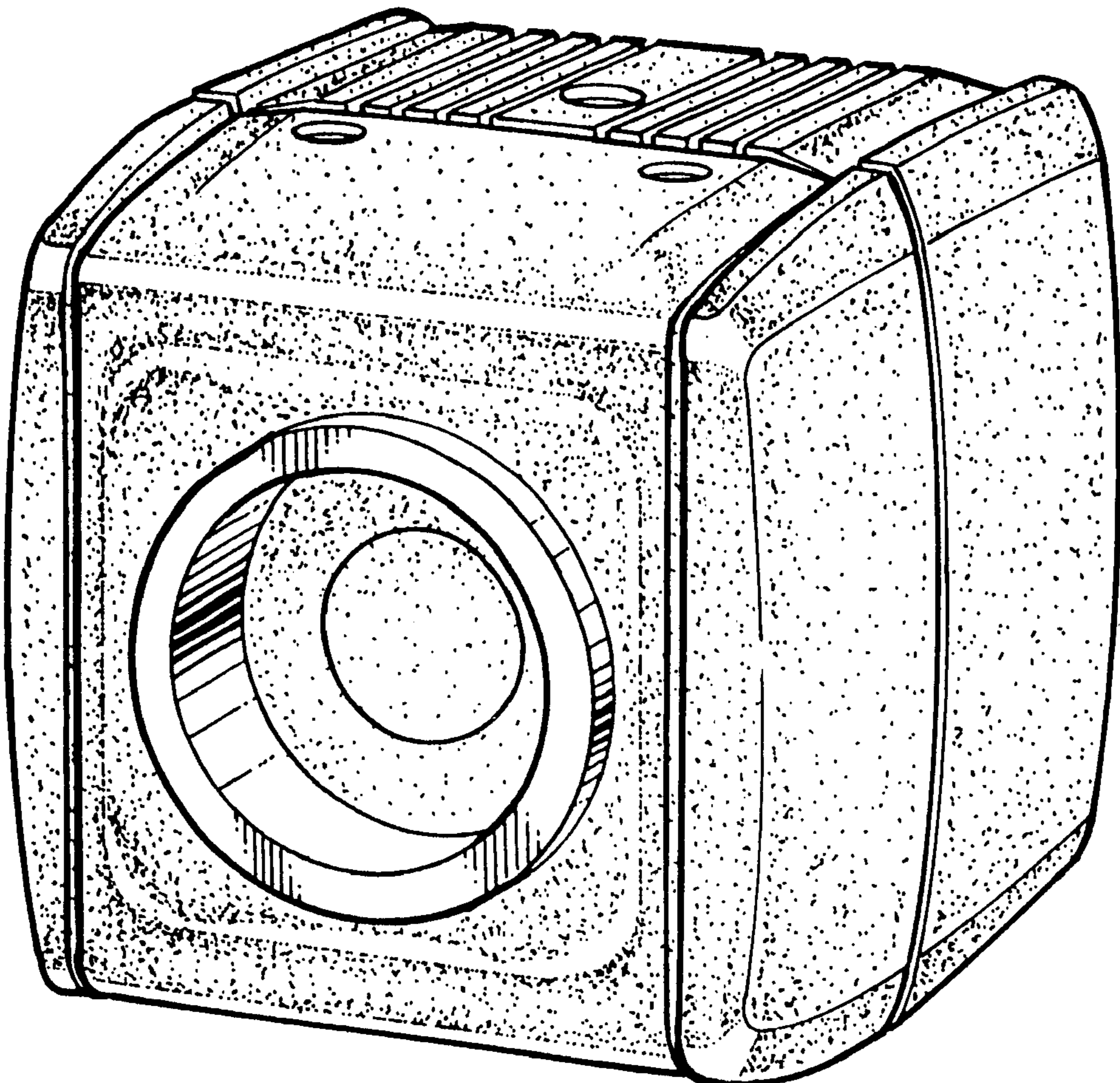


FIG. 1

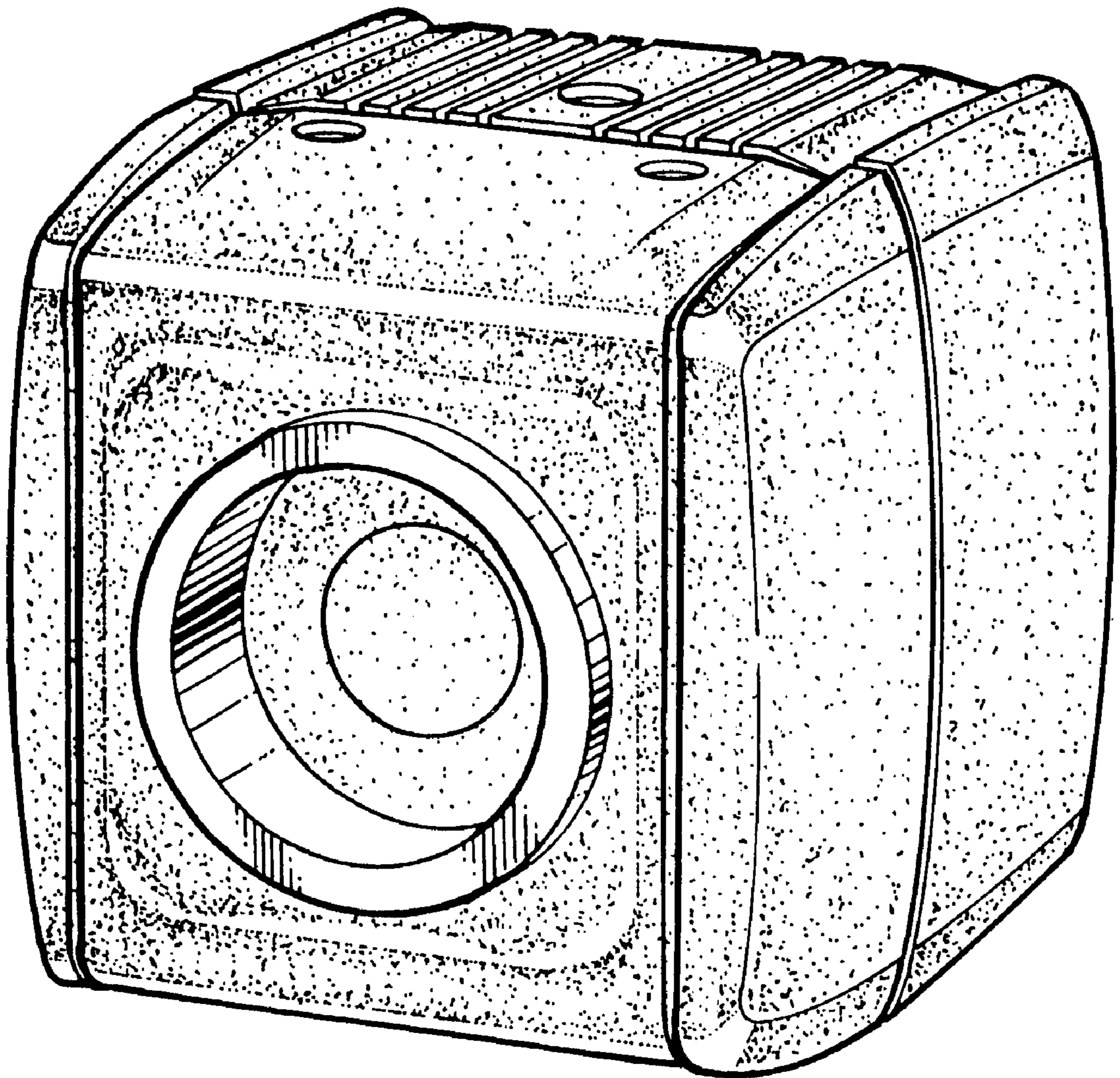


FIG. 2

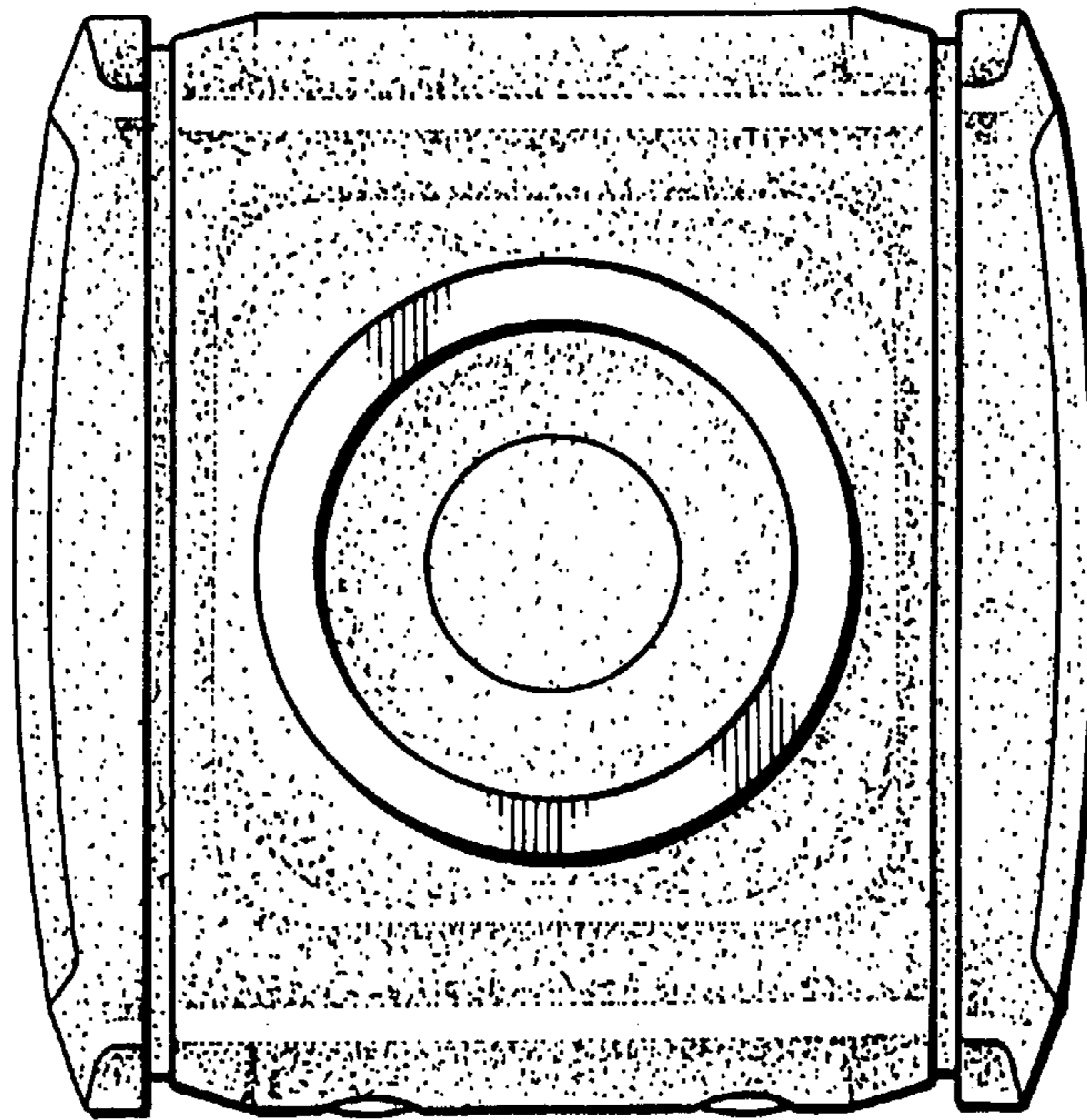


FIG. 3

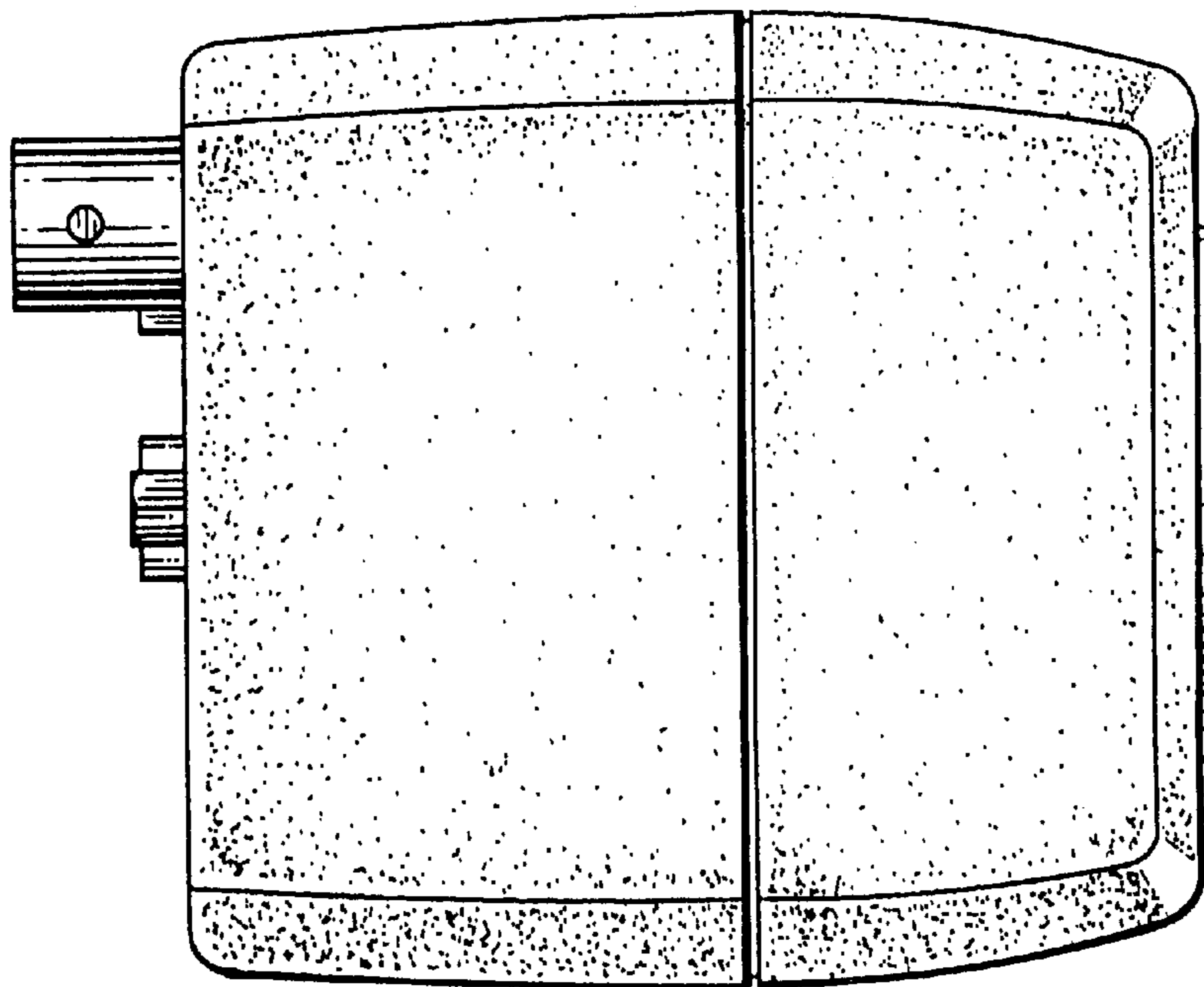


FIG. 4

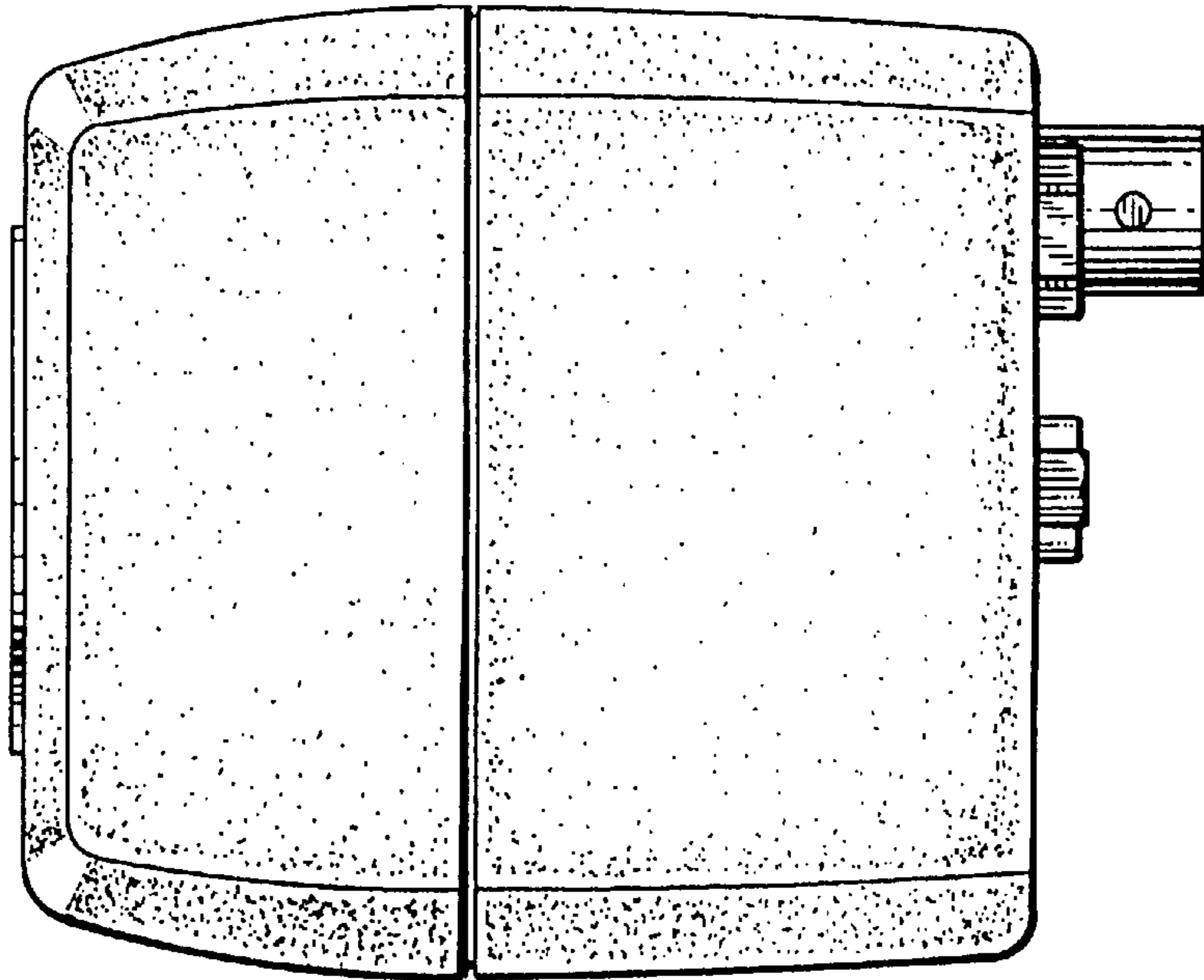


FIG. 5

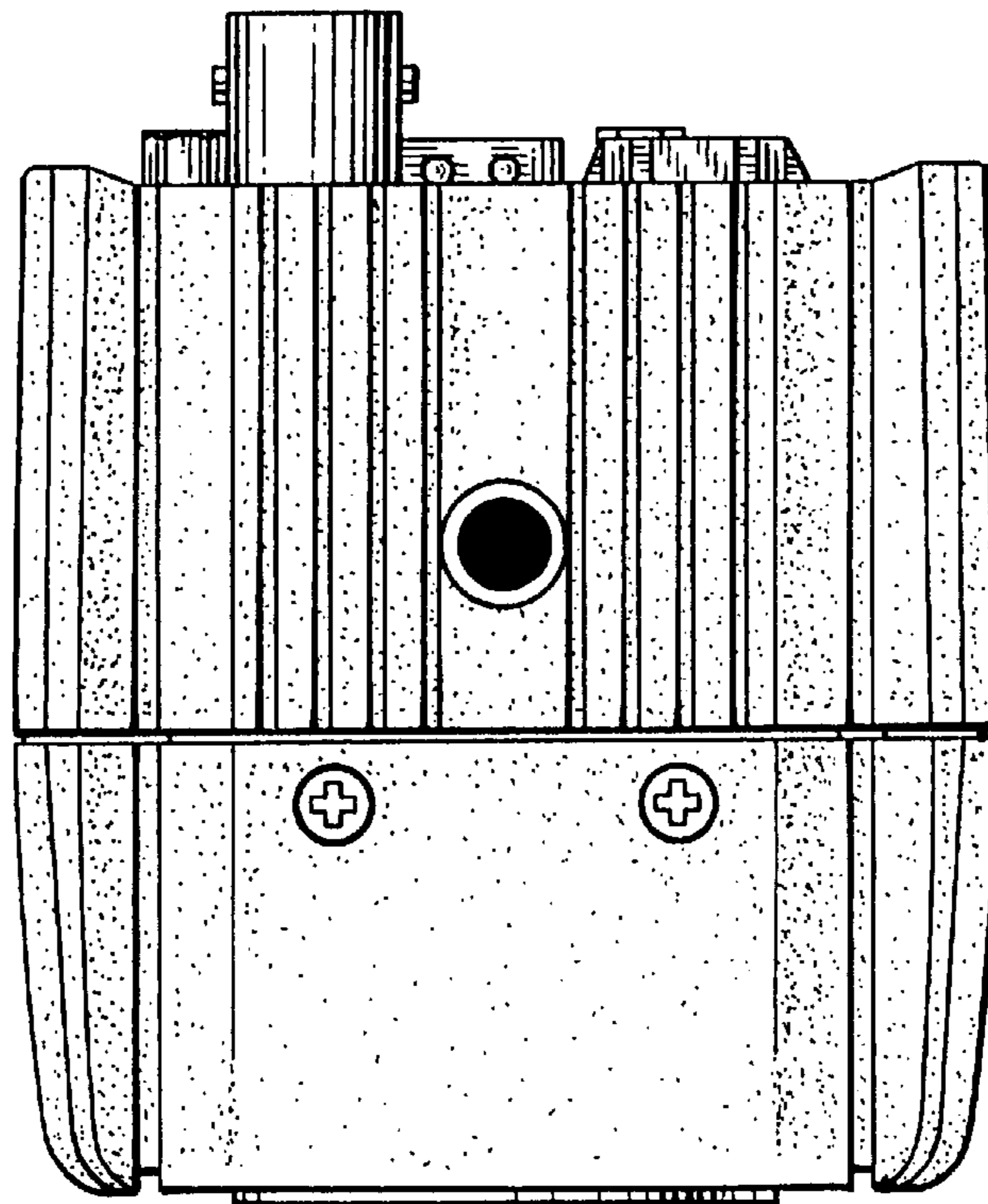


FIG. 6

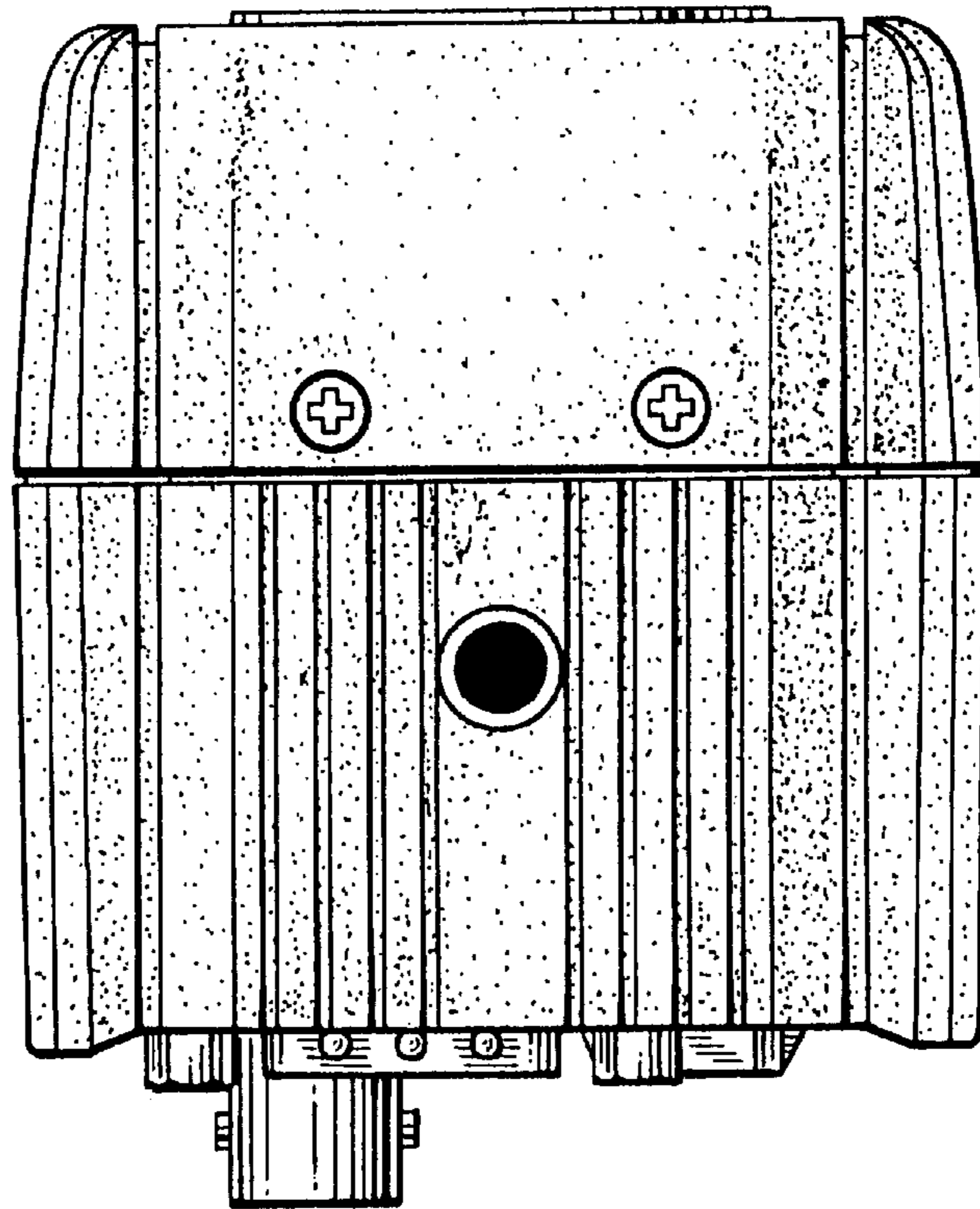


FIG. 7

