



US00D441384S

(12) **United States Design Patent**  
**Bodnar et al.**

(10) **Patent No.:** **US D441,384 S**

(45) **Date of Patent:** **\*\* May 1, 2001**

(54) **VERTICALLY-ORIENTED DIGITAL CAMERA BODY WITH CONNECTOR INTERFACE**

(75) Inventors: **Eric O. Bodnar**, Santa Cruz; **Kurt Dammermann**; **Robin Goran Petravic**, both of San Francisco, all of CA (US)

(73) Assignee: **LightSurf Technologies, Inc.**, Santa Cruz, CA (US)

(\*\*) Term: **14 Years**

(21) Appl. No.: **29/126,738**

(22) Filed: **Jul. 21, 2000**

(51) **LOC (7) Cl.** ..... **16-01**

(52) **U.S. Cl.** ..... **D16/200**

(58) **Field of Search** ..... D16/200, 202, D16/203-205, 208, 218, 219, 237; 348/373-376, 838; 396/535-541

(56) **References Cited**

**U.S. PATENT DOCUMENTS**

D. 160,300	*	10/1950	Chapman	.....	D16/200
D. 408,044	*	4/1999	Tanaka et al.	.....	D16/202
D. 416,570	*	11/1999	Hsueh	.....	D16/218
D. 428,429	*	7/2000	Garrison et al.	.....	D16/202
D. 429,269	*	8/2000	Renkis	.....	D16/203
D. 431,828	*	10/2000	Yoshida	.....	D16/202
5,729,289	*	3/1998	Etoh	.....	348/373

5,825,408 \* 10/1998 Yuyama et al. .... 348/838

\* cited by examiner

*Primary Examiner*—Adir Aronovich

(74) *Attorney, Agent, or Firm*—John A. Smart

(57) **CLAIM**

The ornamental design for a vertically-oriented digital camera body with connector interface, as shown and described.

**DESCRIPTION**

The present application is related to the following commonly-owned applications: (1) Application Ser. No. 29/126,740, filed concurrently, and titled, Vertically-Oriented Digital Camera Body with Lens Assembly Reveal; (2) Application Ser. No. 29/126,739, filed concurrently, and titled, Vertically-Oriented Digital Camera Body with Top-Centered Shutter Button; and (3) Application Ser. No. 29/126,737, filed concurrently, and titled, Digital Camera Viewfinder with Graphic Display. The disclosure of the foregoing are hereby incorporated by reference.

FIG. 1 is a top, left and front perspective view of a vertically-oriented digital camera body with connector interface, the broken lines are shown to illustrate environment only and form no part of the claimed design;

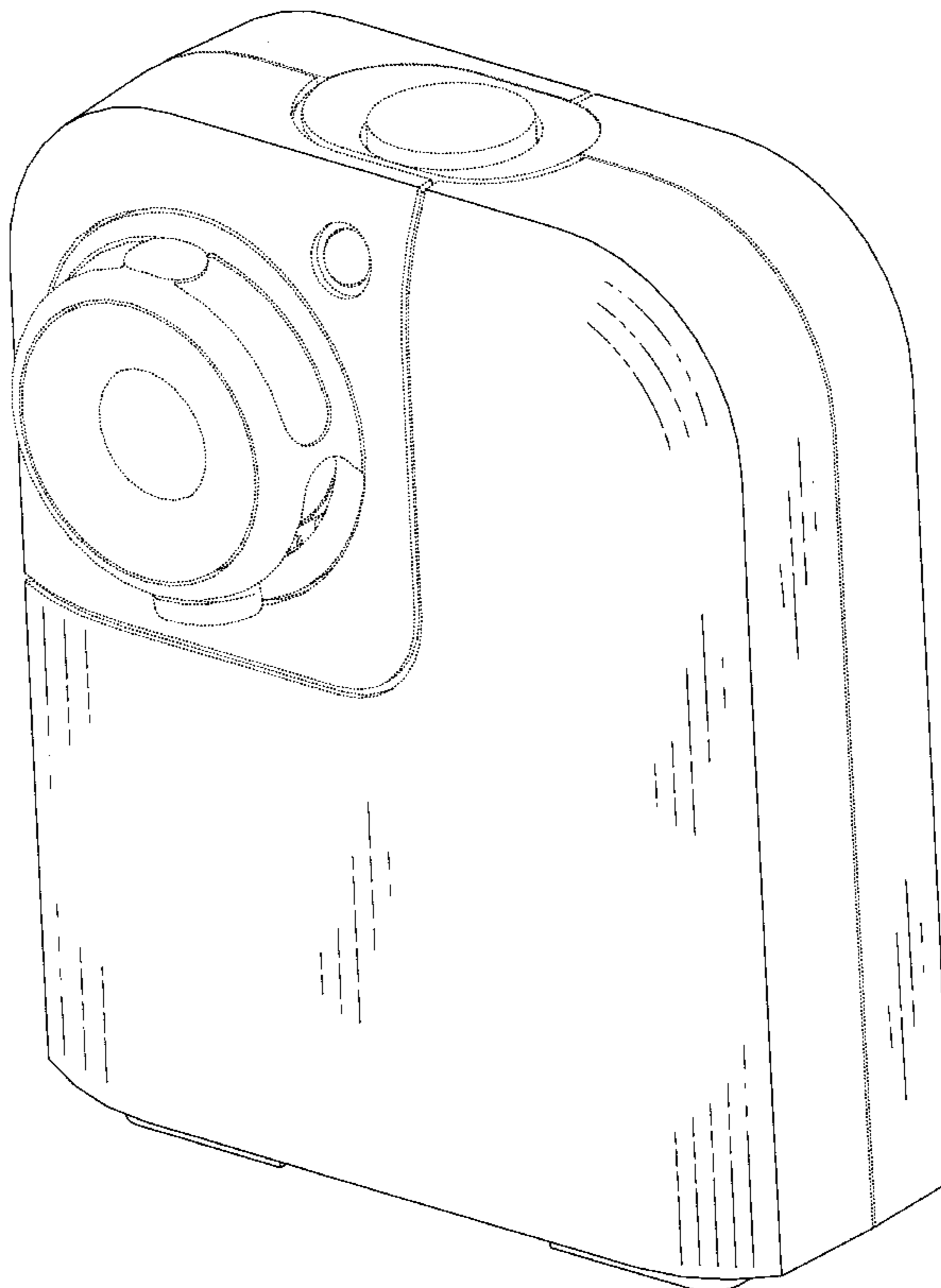
FIG. 2 is a top, right, and front perspective view thereof;

FIG. 3 is a front end view thereof;

FIG. 4 is a rear end view thereof; and,

FIG. 5 is a bottom, left, and front perspective view thereof.

**1 Claim, 5 Drawing Sheets**



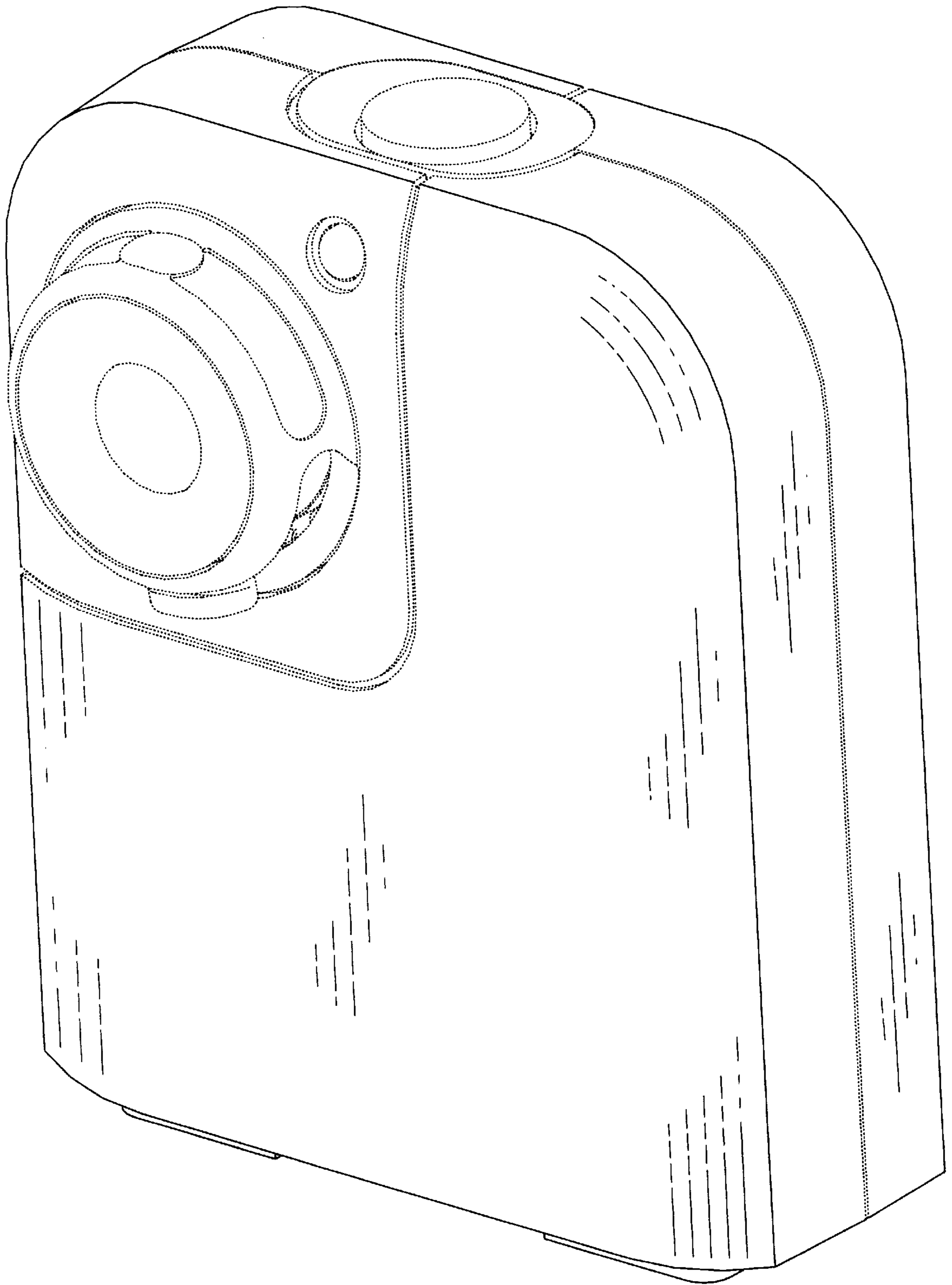


FIG. 1

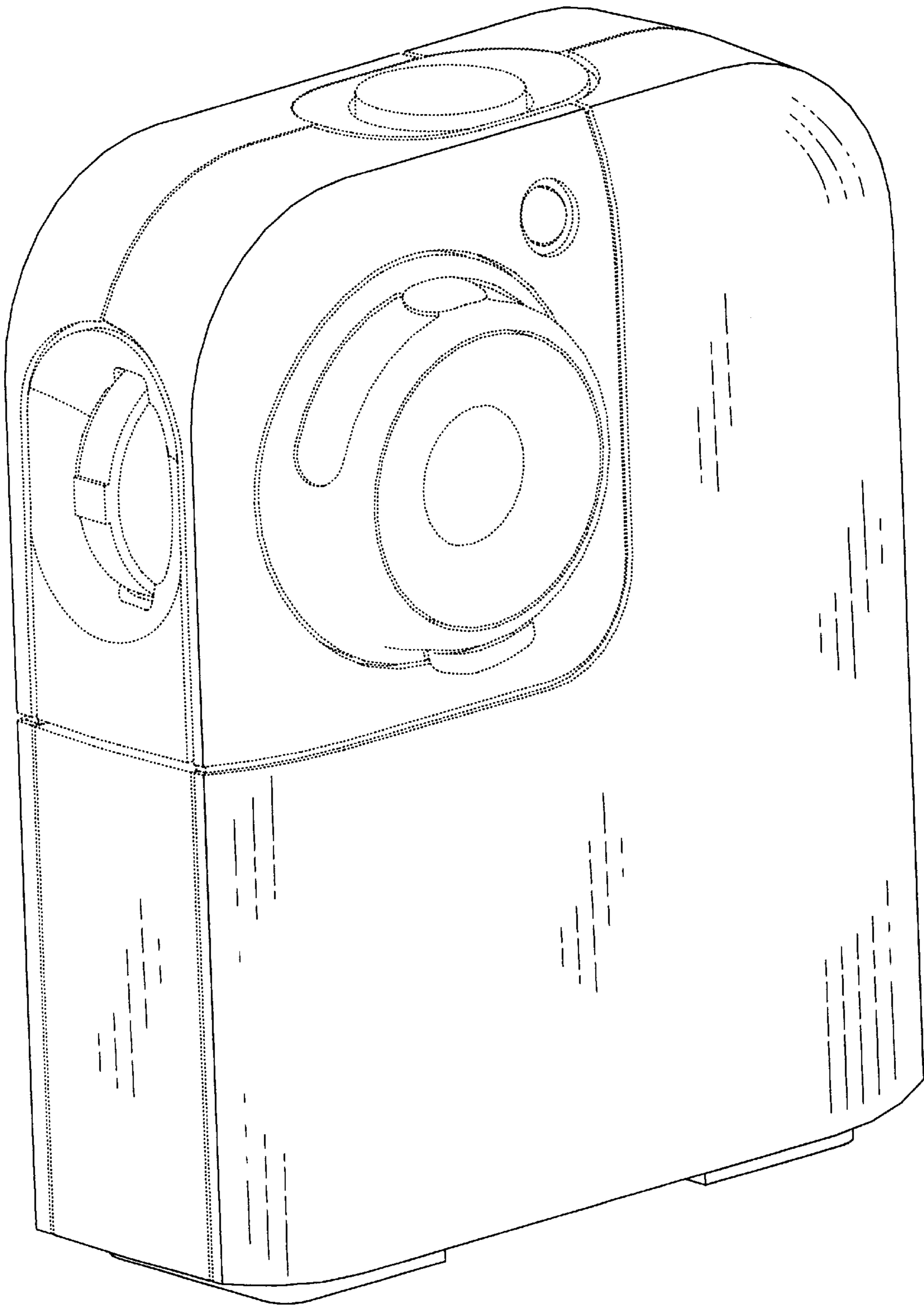


FIG. 2

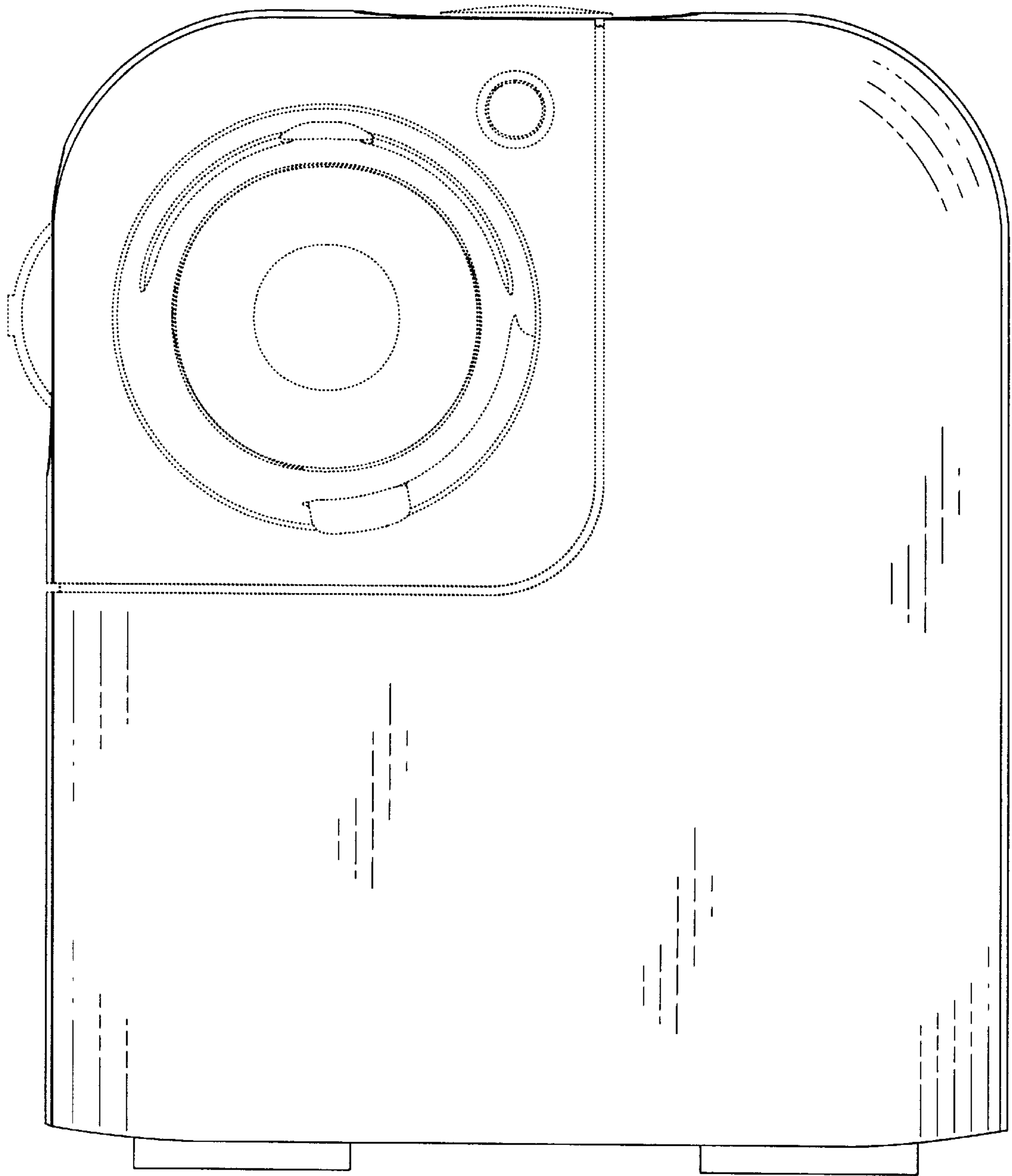


FIG. 3

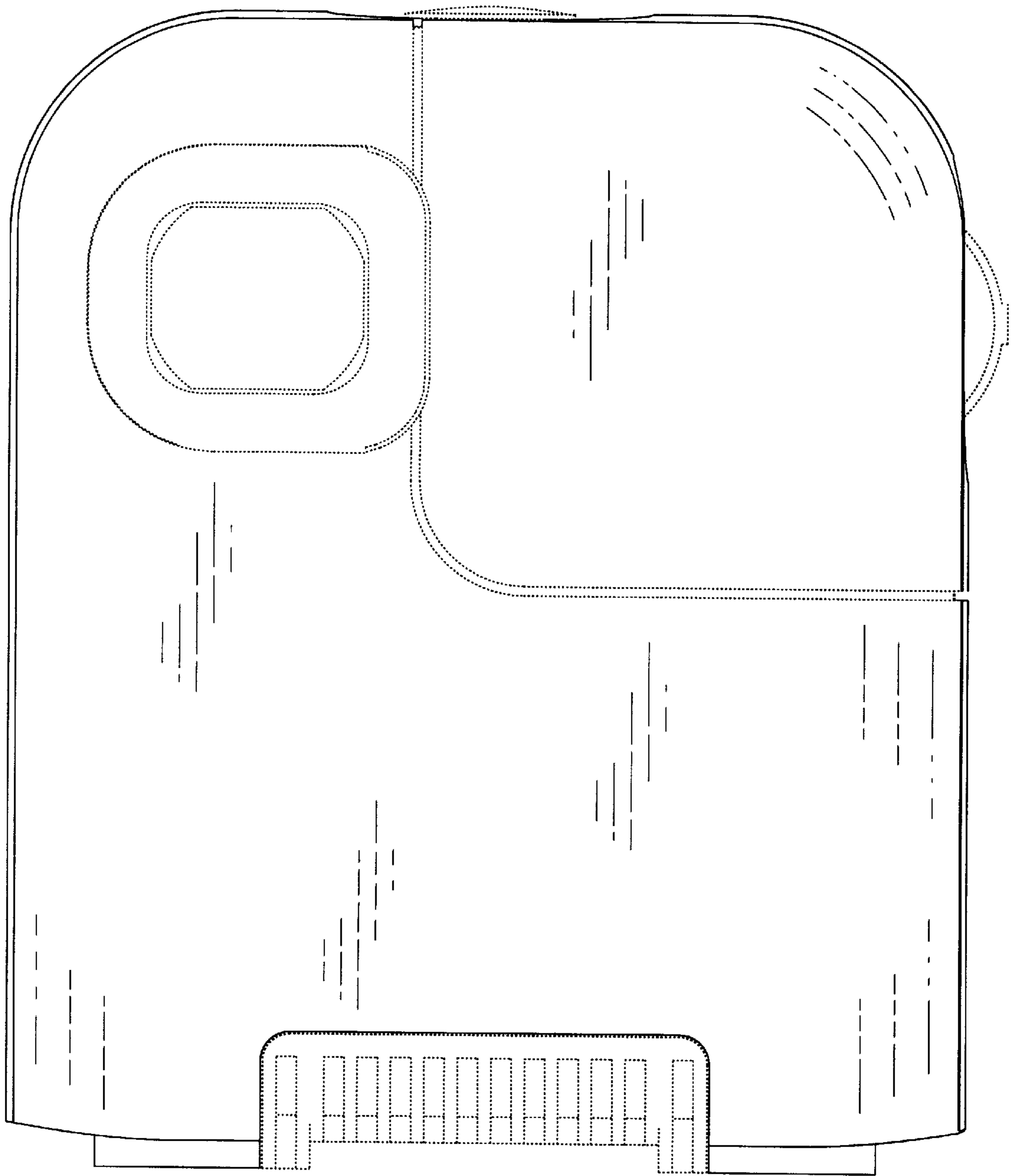


FIG. 4



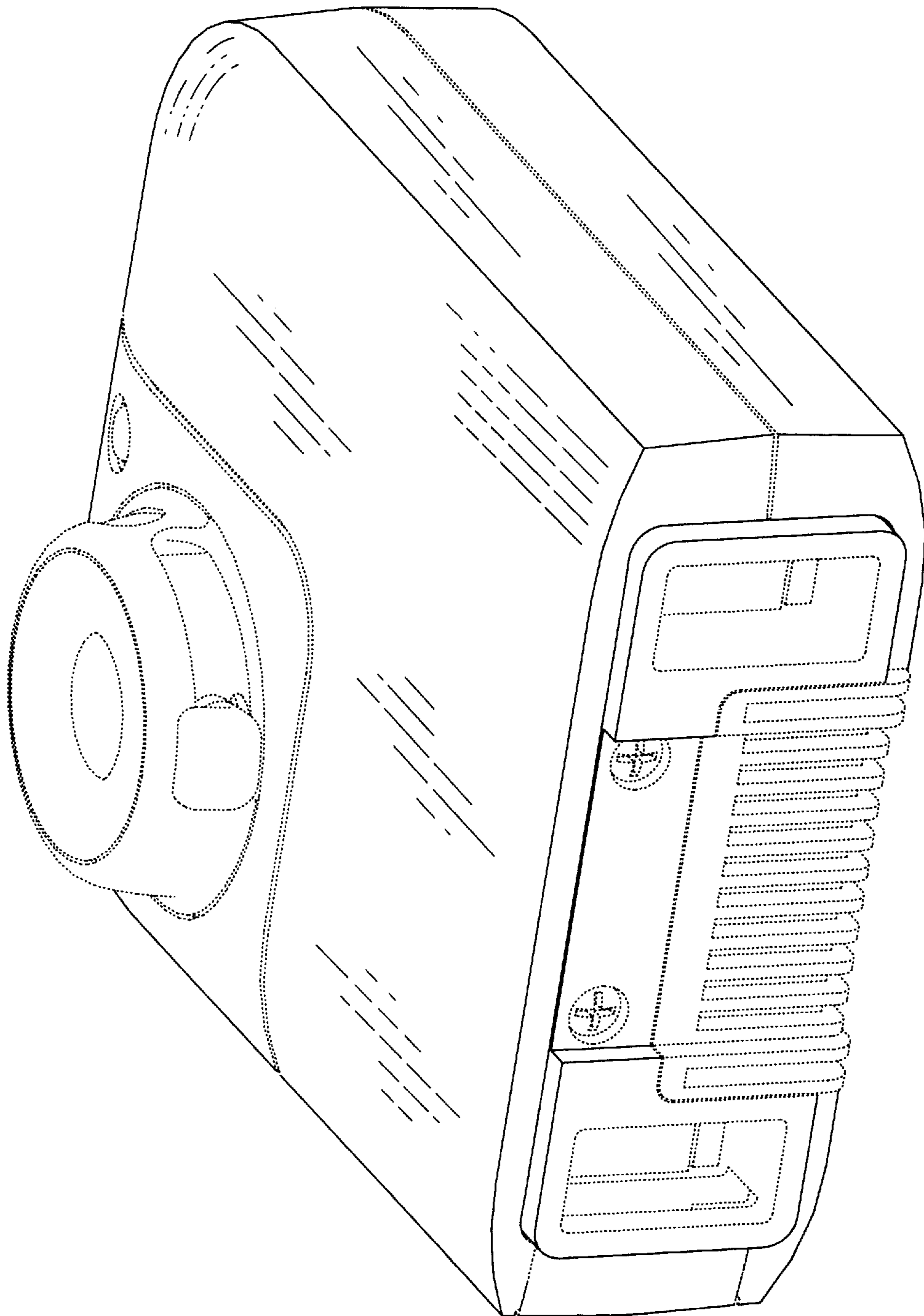


FIG. 5