



US00D441382S

(12) **United States Design Patent**
Konno et al.

(10) **Patent No.:** **US D441,382 S**

(45) **Date of Patent:** **** May 1, 2001**

(54) **CAMERA LENS**

(75) Inventors: **Jun Konno**, Shinagawa-ku; **Jun Akabane**, Yokohama; **Yasuki Nagaoka**, Ohmiya; **Arata Ono**, Urawa, all of (JP)

(73) Assignee: **Nikon Corporation**, Tokyo (JP)

(**) Term: **14 Years**

(21) Appl. No.: **29/114,919**

(22) Filed: **Dec. 6, 1999**

(30) **Foreign Application Priority Data**

Jun. 14, 1999 (JP) 11-15483

(51) **LOC (7) Cl.** **16-06**

(52) **U.S. Cl.** **D16/134; D16/219**

(58) **Field of Search** D16/134, 136, D16/219, 237; 359/703, 704, 811, 815, 819, 826, 827, 828; 396/529-531

(56) **References Cited**

U.S. PATENT DOCUMENTS

- D. 341,612 * 11/1993 Takahashi D16/134
- D. 356,805 * 3/1995 Takahashi D16/134
- D. 390,857 * 2/1998 Hayamizu D16/134

- D. 420,029 * 2/2000 Kimura et al. D16/134
- 1,767,850 * 6/1930 Howell 359/827
- 5,305,036 * 4/1994 Tanaka 396/529

OTHER PUBLICATIONS

Popular Photography, Jun. 1988 p. 15 (Vivitar camera lens).*

* cited by examiner

Primary Examiner—Adir Aronovich

(74) *Attorney, Agent, or Firm*—Oliff & Berridge, PLC

(57) **CLAIM**

The ornamental design for a camera lens, as shown.

DESCRIPTION

FIG. 1 is a front view of a camera lens showing our new design;

FIG. 2 is a left side view thereof;

FIG. 3 is a rear view thereof;

FIG. 4 is a right side view thereof;

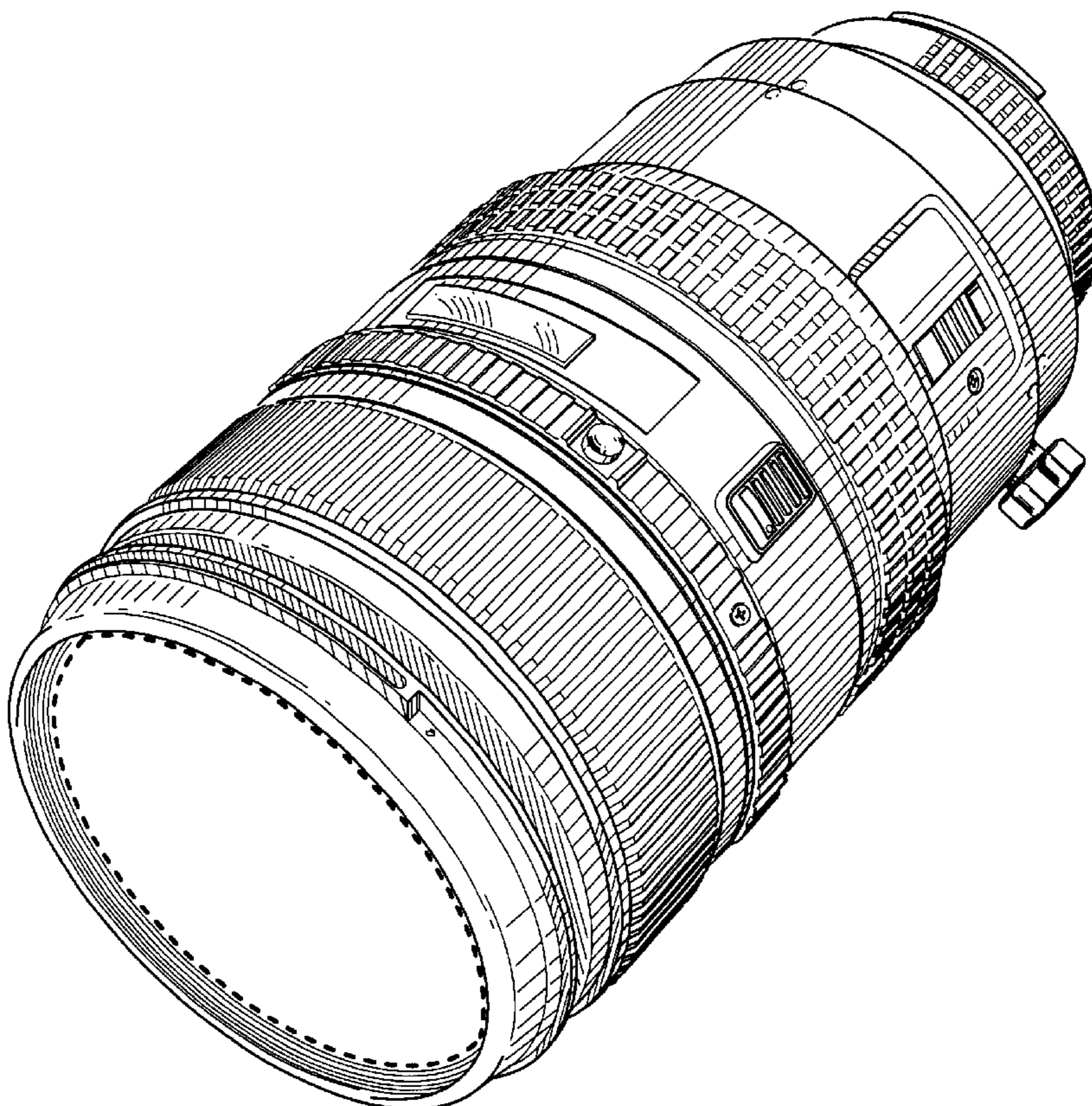
FIG. 5 is a top plan view thereof;

FIG. 6 is a bottom plan view thereof; and,

FIG. 7 is a front perspective view thereof.

The broken lines which define the bounds of the claimed design form no part thereof.

1 Claim, 5 Drawing Sheets



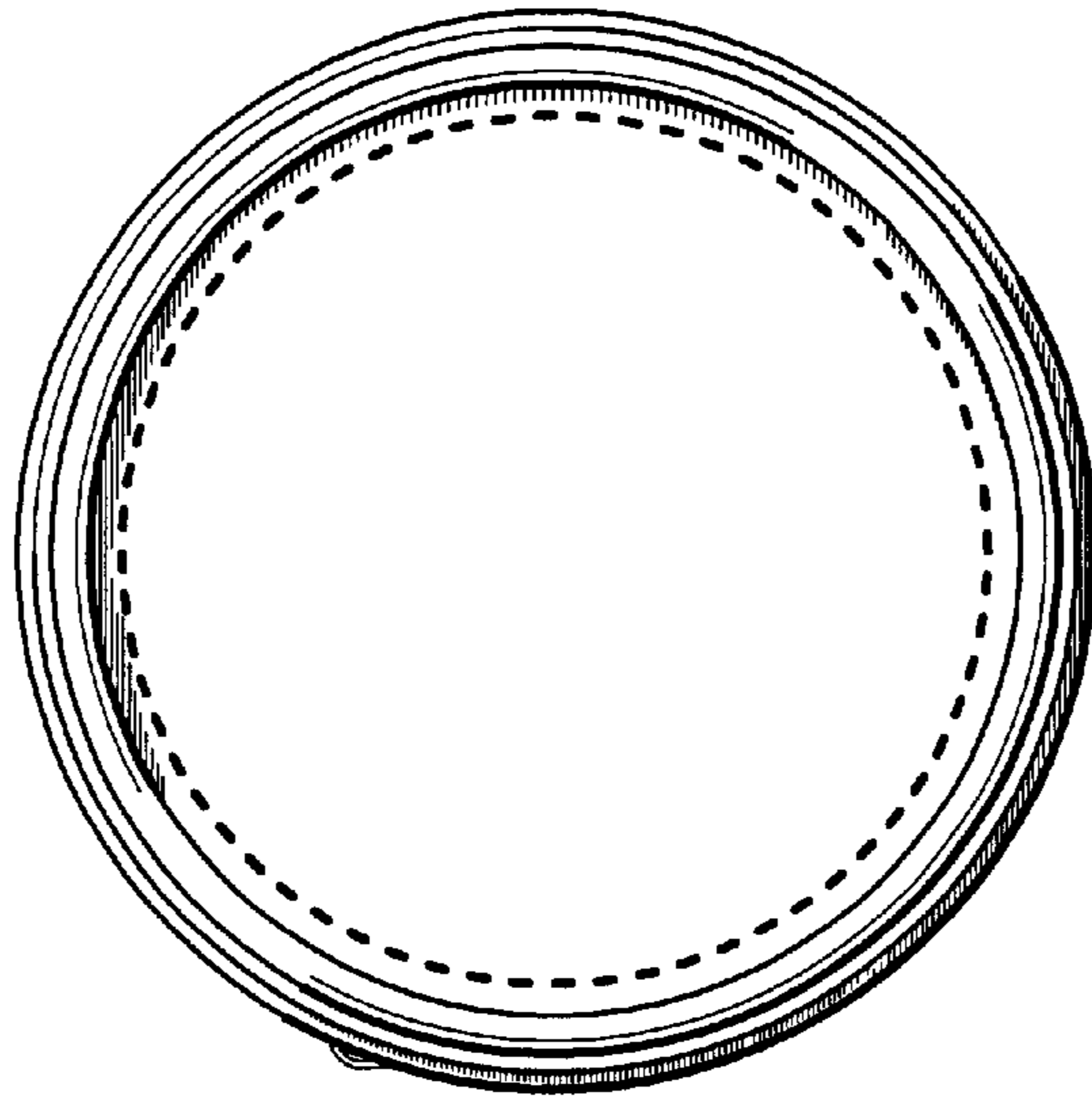


Fig. 1

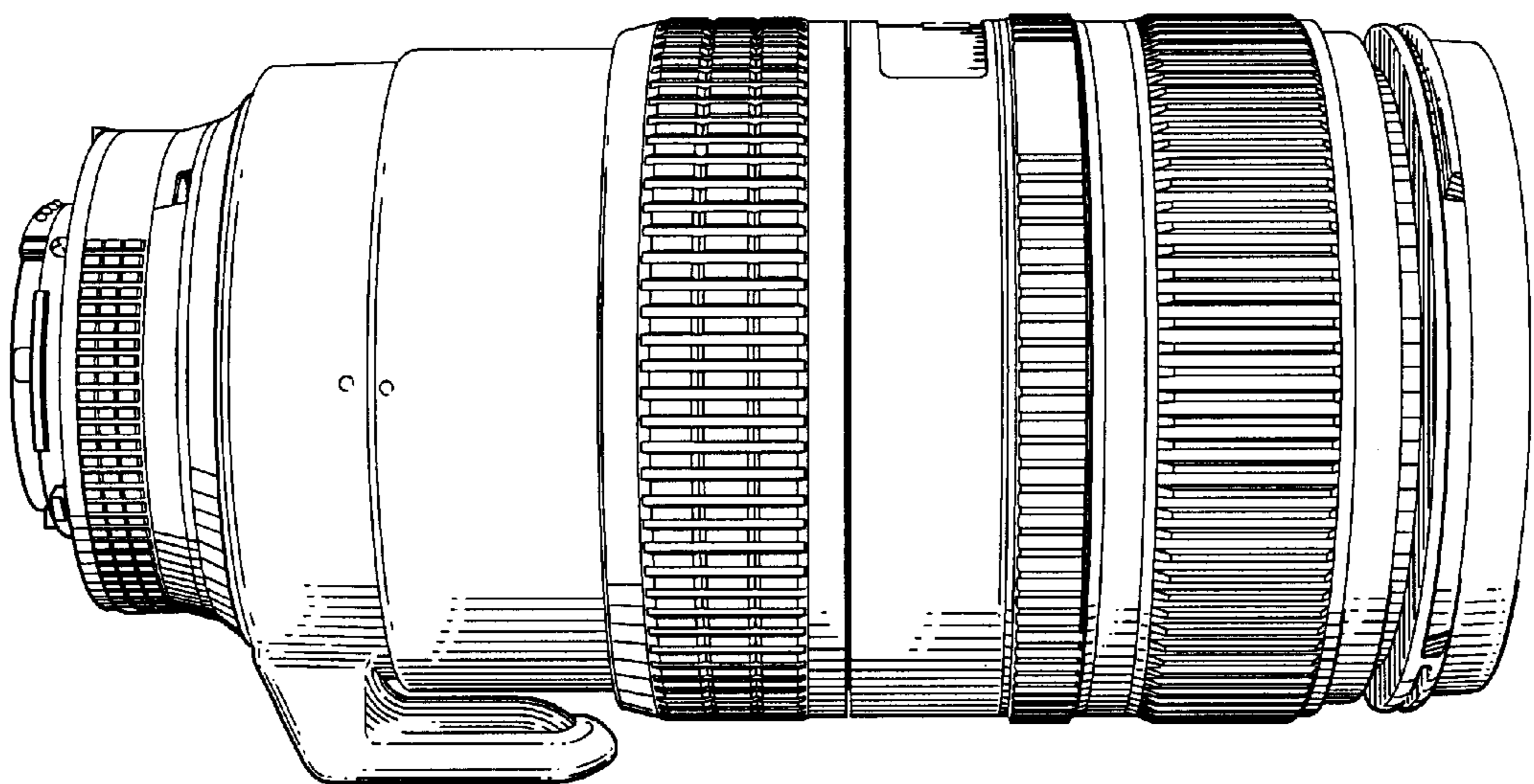


Fig. 2

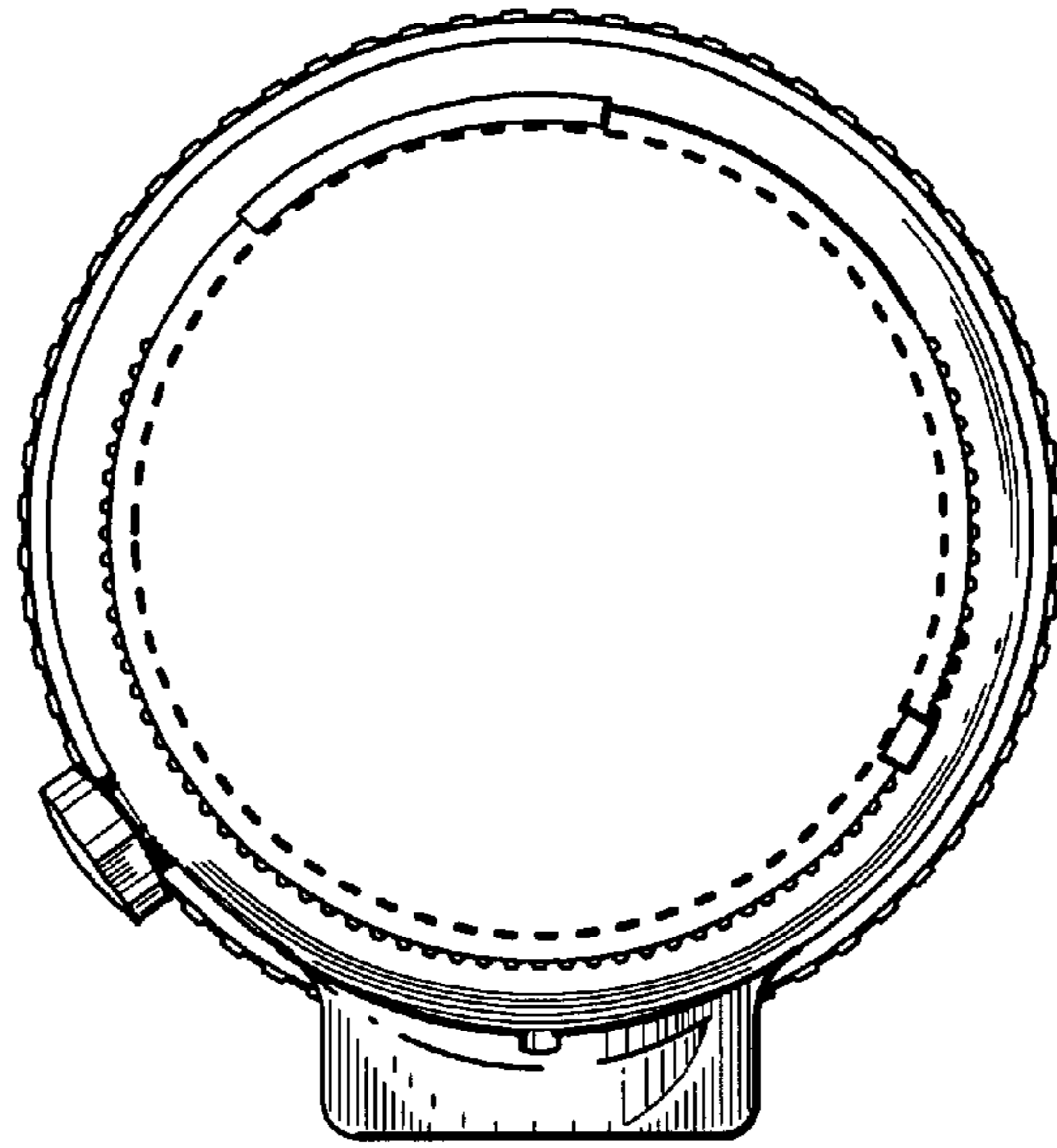


Fig. 3

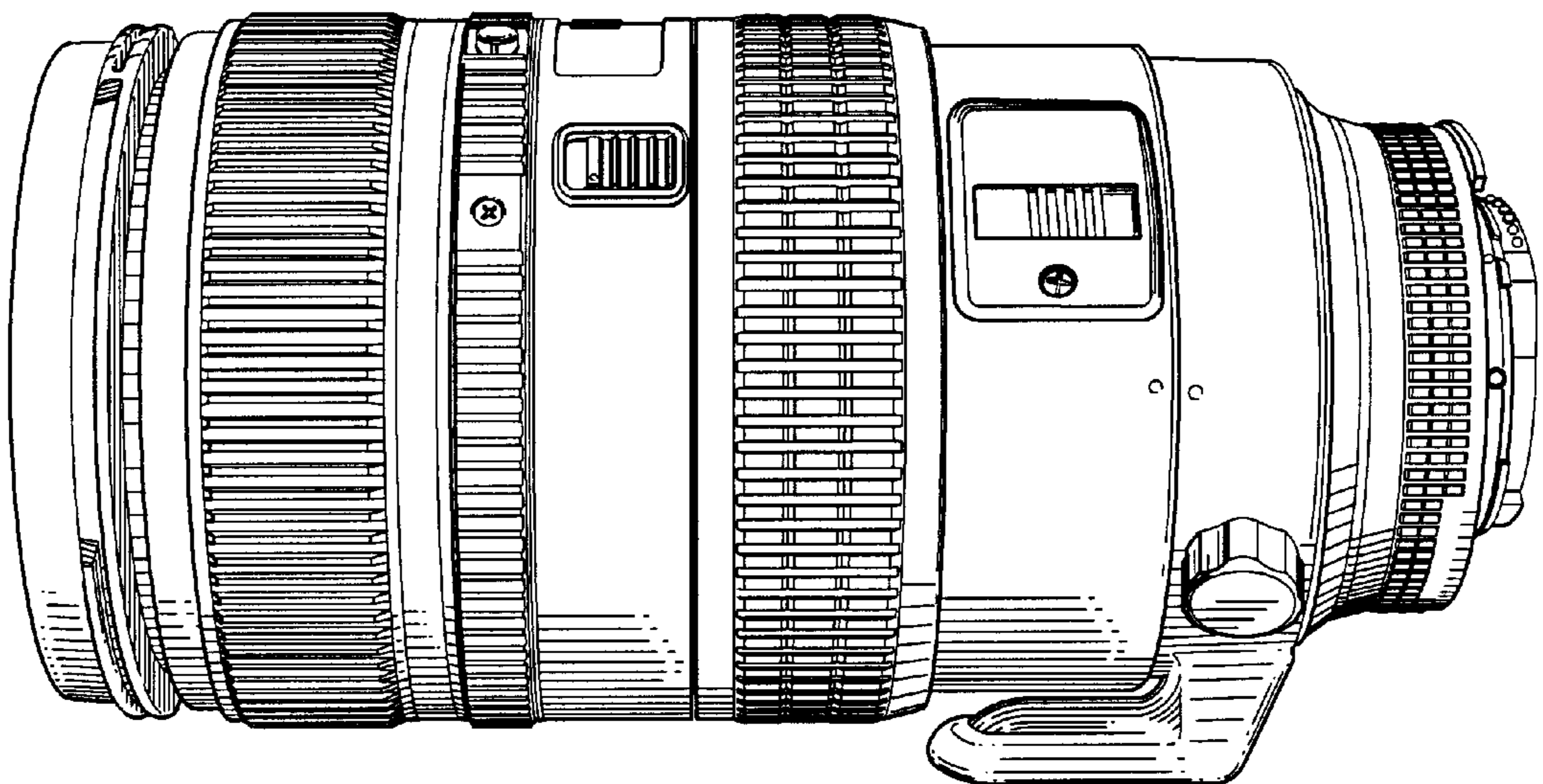


Fig. 4

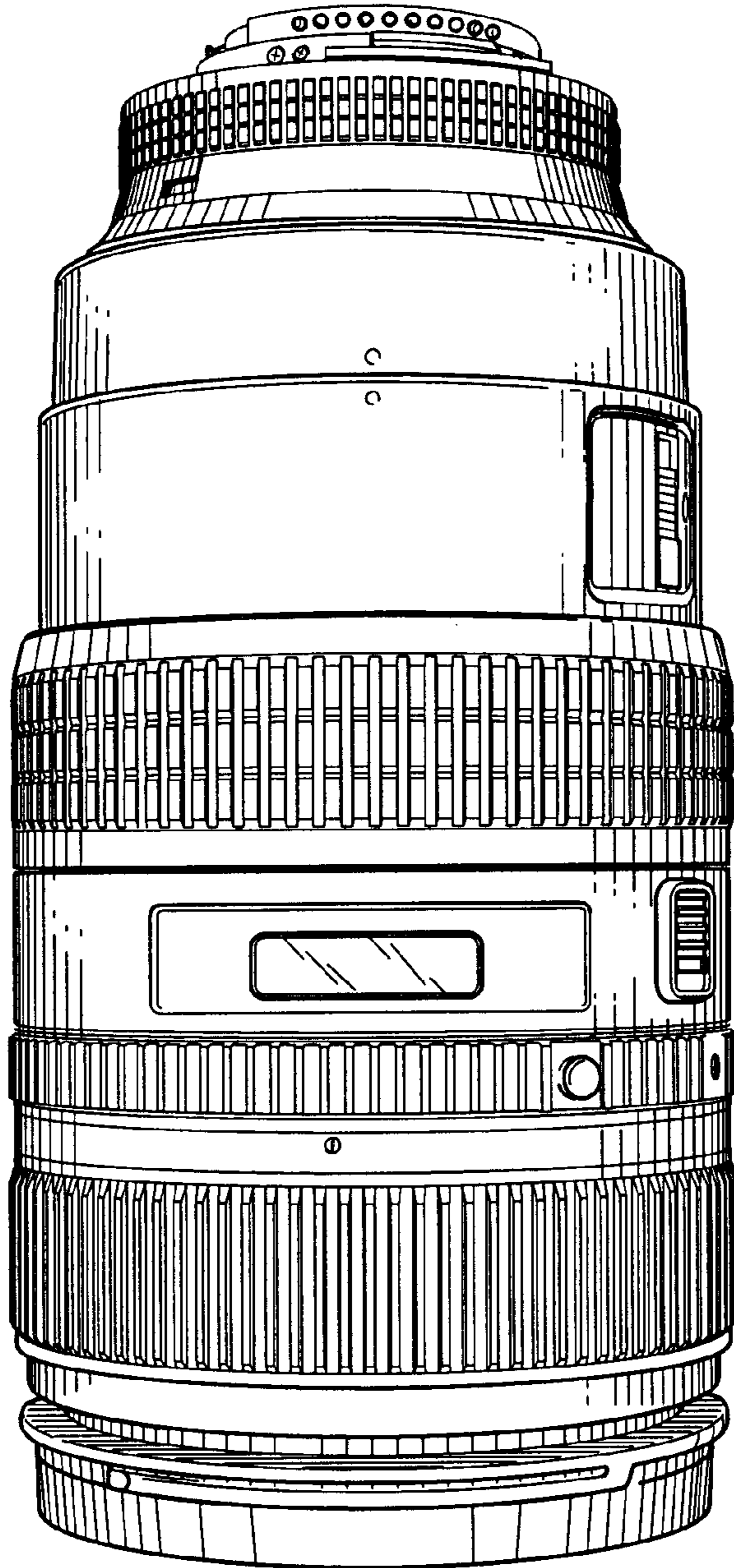


Fig. 5

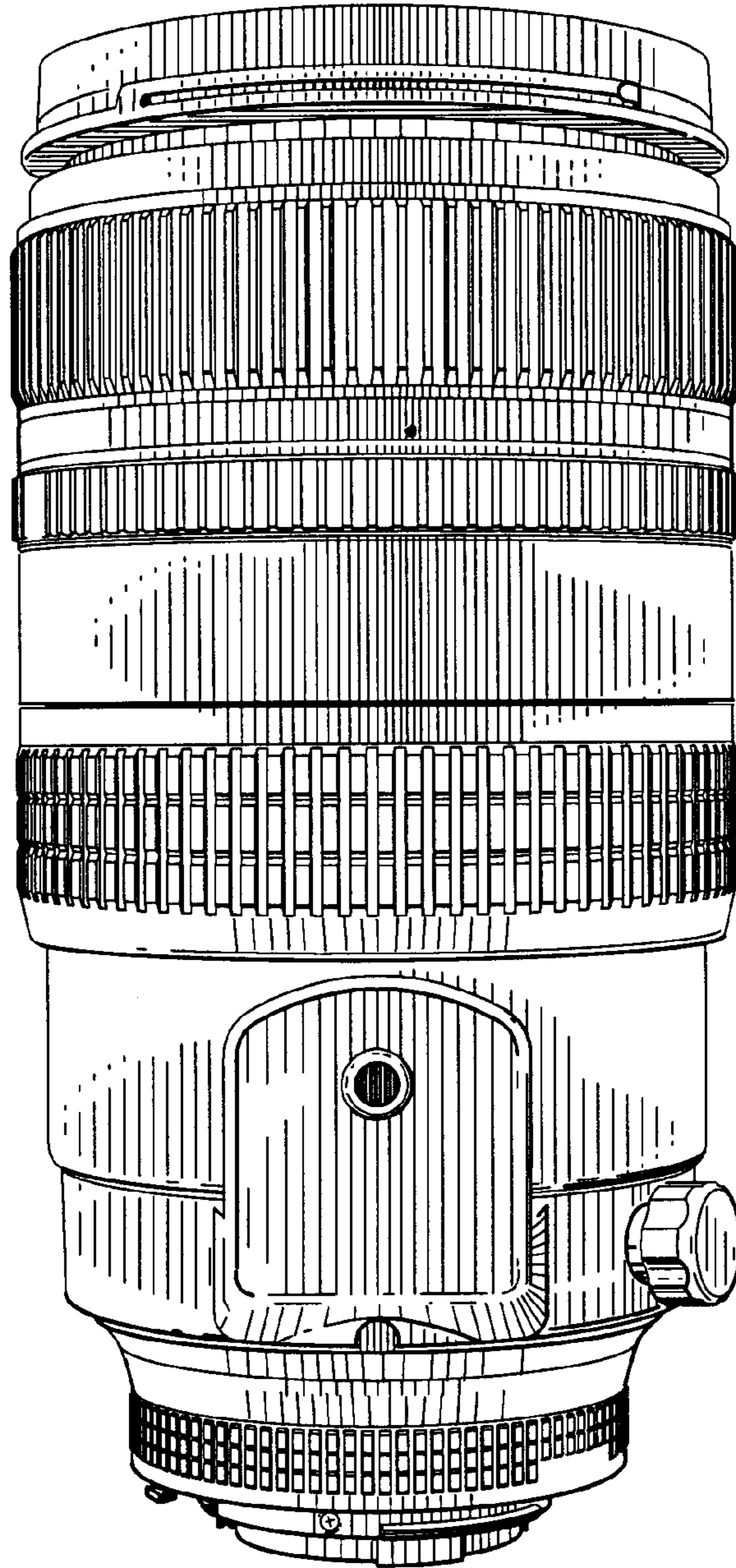


Fig. 6

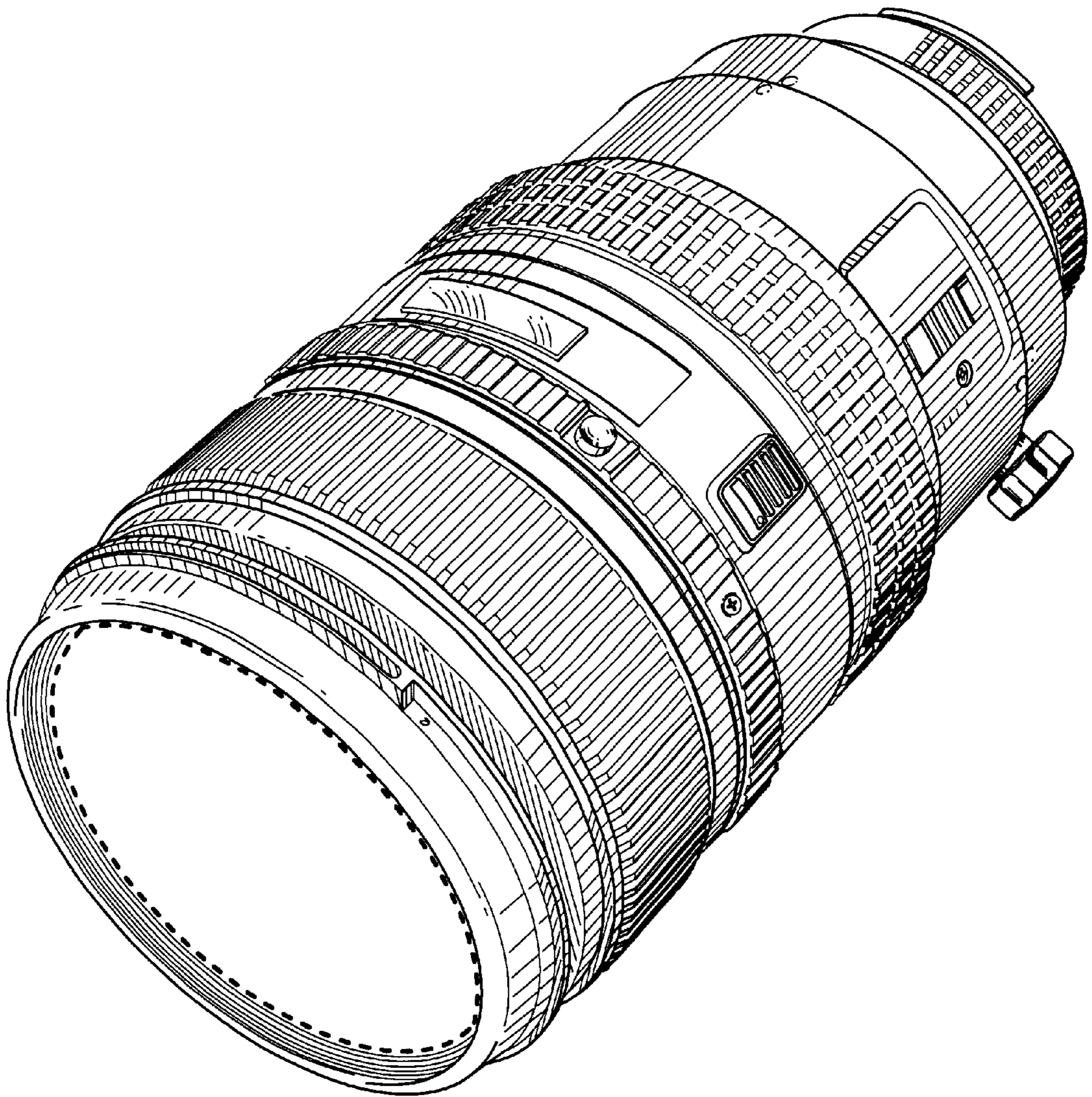


Fig. 7