



US00D441379S

(12) **United States Design Patent**  
**Kanat**

(10) **Patent No.:** **US D441,379 S**

(45) **Date of Patent:** **\*\* May 1, 2001**

(54) **KEY CUTTING MACHINE**

5,833,406 \* 11/1998 Chies et al. .... 409/81

(75) Inventor: **Arieh Kanat, Ra'anana (IL)**

\* cited by examiner

(73) Assignee: **Mul-T-Lock Technologies Ltd, Yavne (IL)**

*Primary Examiner—Antoine Duval Davis*

(74) *Attorney, Agent, or Firm—Lilling & Lilling P.C.*

(\*\*) Term: **14 Years**

(21) Appl. No.: **29/097,457**

(22) Filed: **Dec. 7, 1998**

(30) **Foreign Application Priority Data**

Jun. 8, 1998 (IL) ..... 29991

(51) **LOC (7) Cl.** ..... **15-09**

(52) **U.S. Cl.** ..... **D15/127**

(58) **Field of Search** ..... D15/127; 83/205,  
83/247, 277, 917, 413, 414, 556, 560; 30/131,  
363; 409/81, 83, 82, 80; 75/110; 364/474.03,  
474.25

(56) **References Cited**

**U.S. PATENT DOCUMENTS**

4,687,389 \* 8/1987 Santii et al. .... D15/127 X

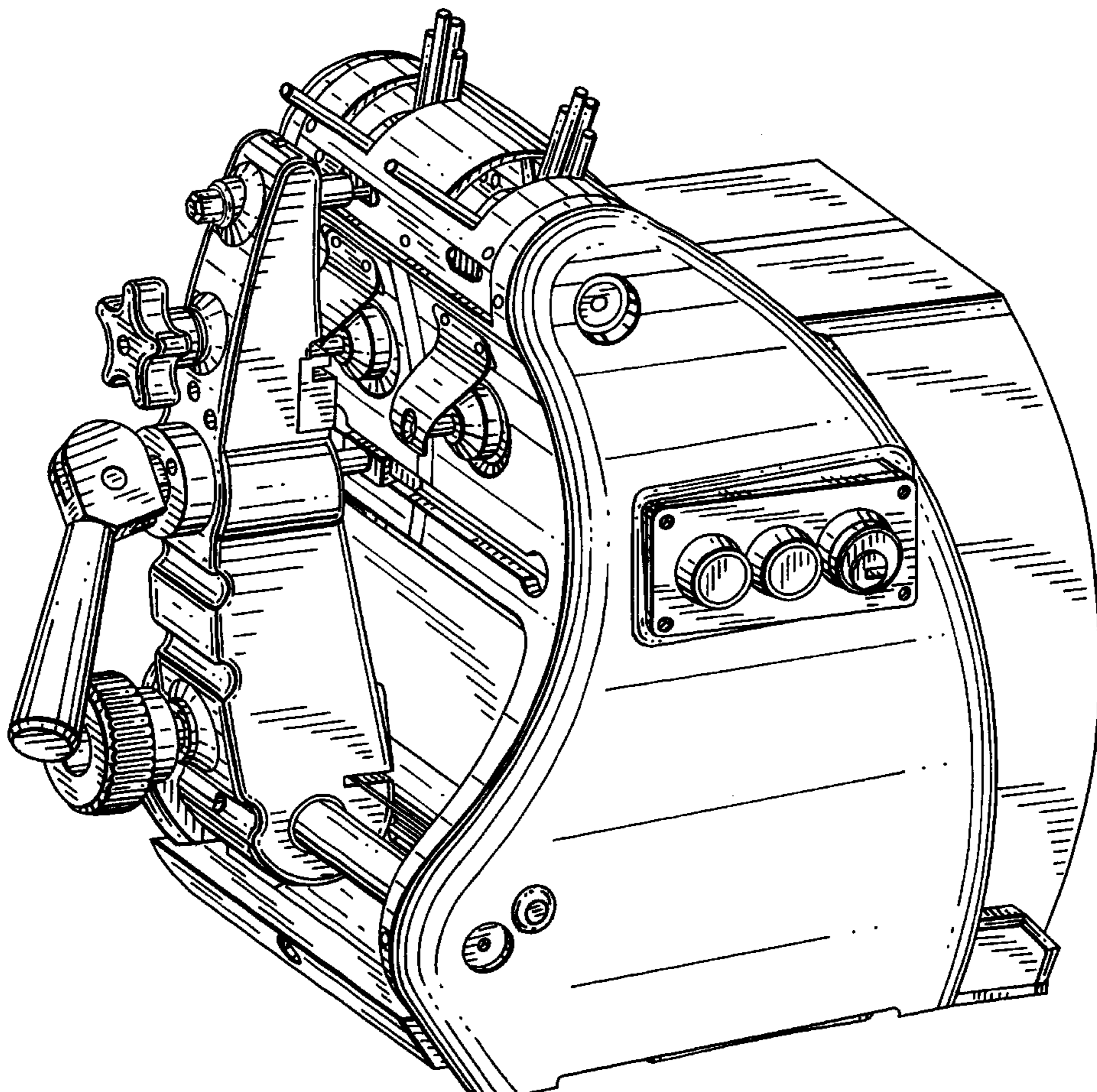
(57) **CLAIM**

The ornamental design for a key cutting machine, as shown.

**DESCRIPTION**

FIG. 1 is a perspective view of my new and novel design;  
FIG. 2 is a front view of my new and novel design;  
FIG. 3 is a left side view of my new and novel design;  
FIG. 4 is a back view of my new and novel design;  
FIG. 5 is a top view of my new and novel design; and  
FIG. 6 is a bottom view of my new and novel design; and,  
FIG. 7 is a right side view of my new and novel design.

**1 Claim, 7 Drawing Sheets**



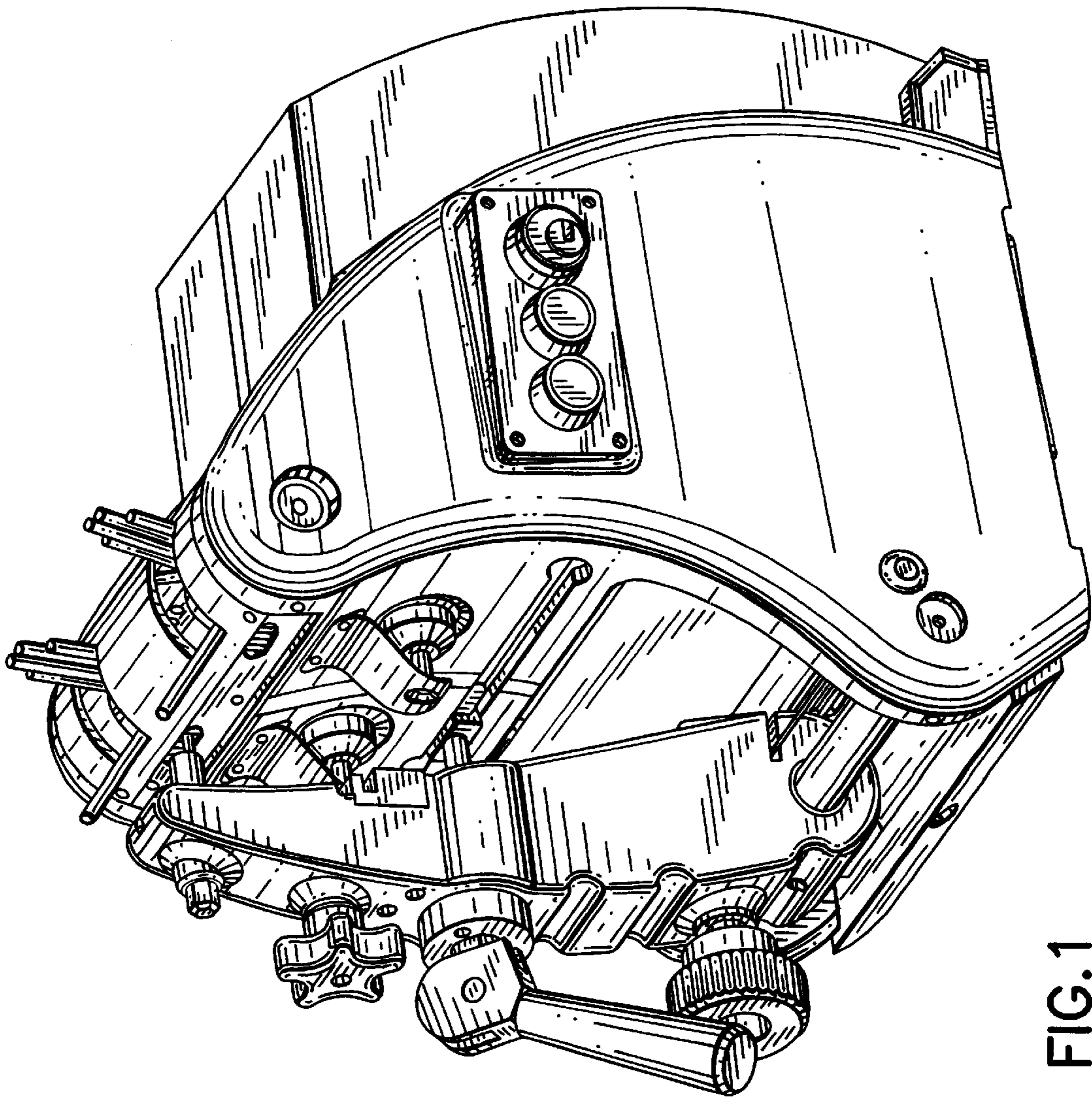


FIG.1

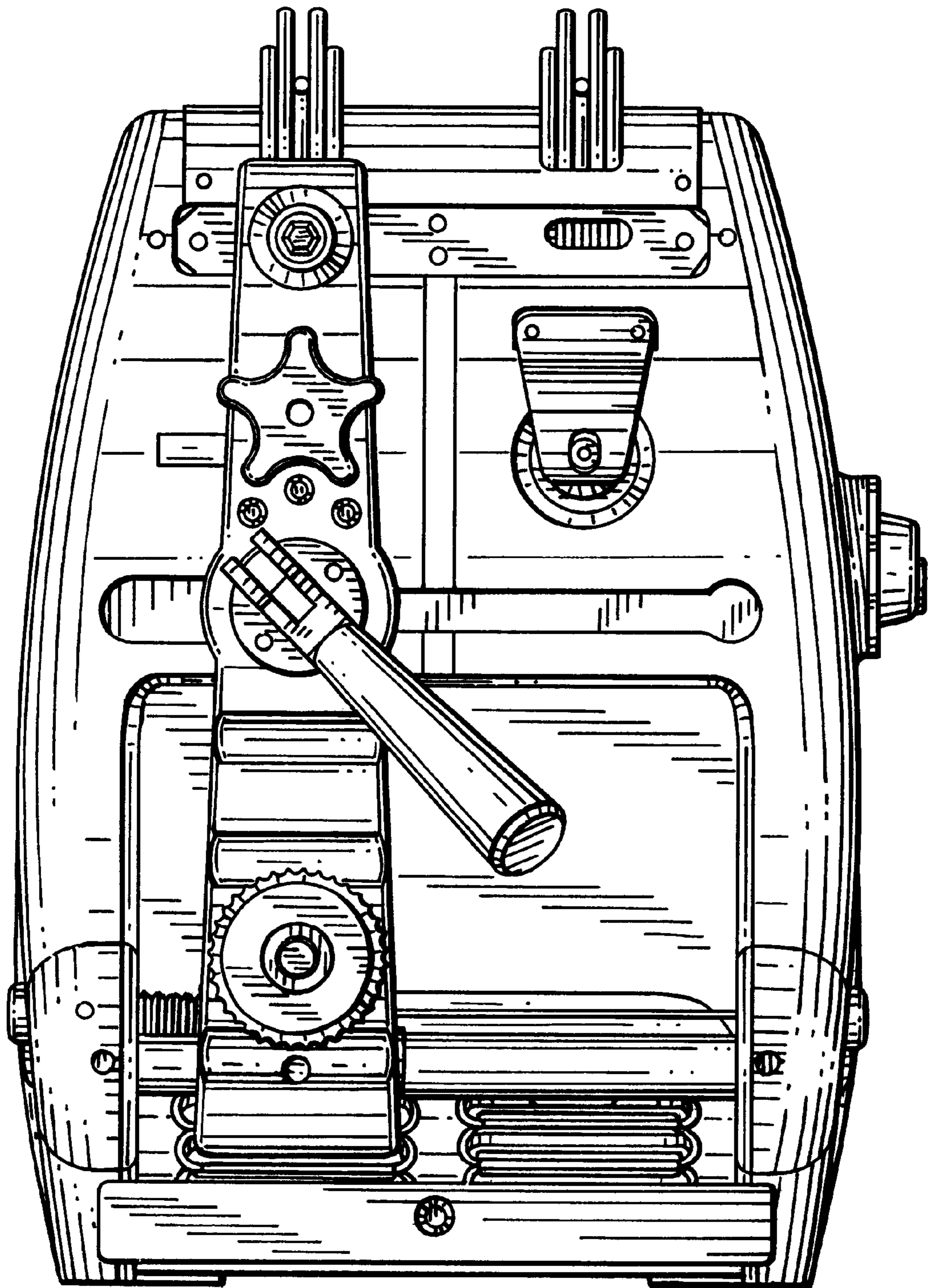


FIG.2

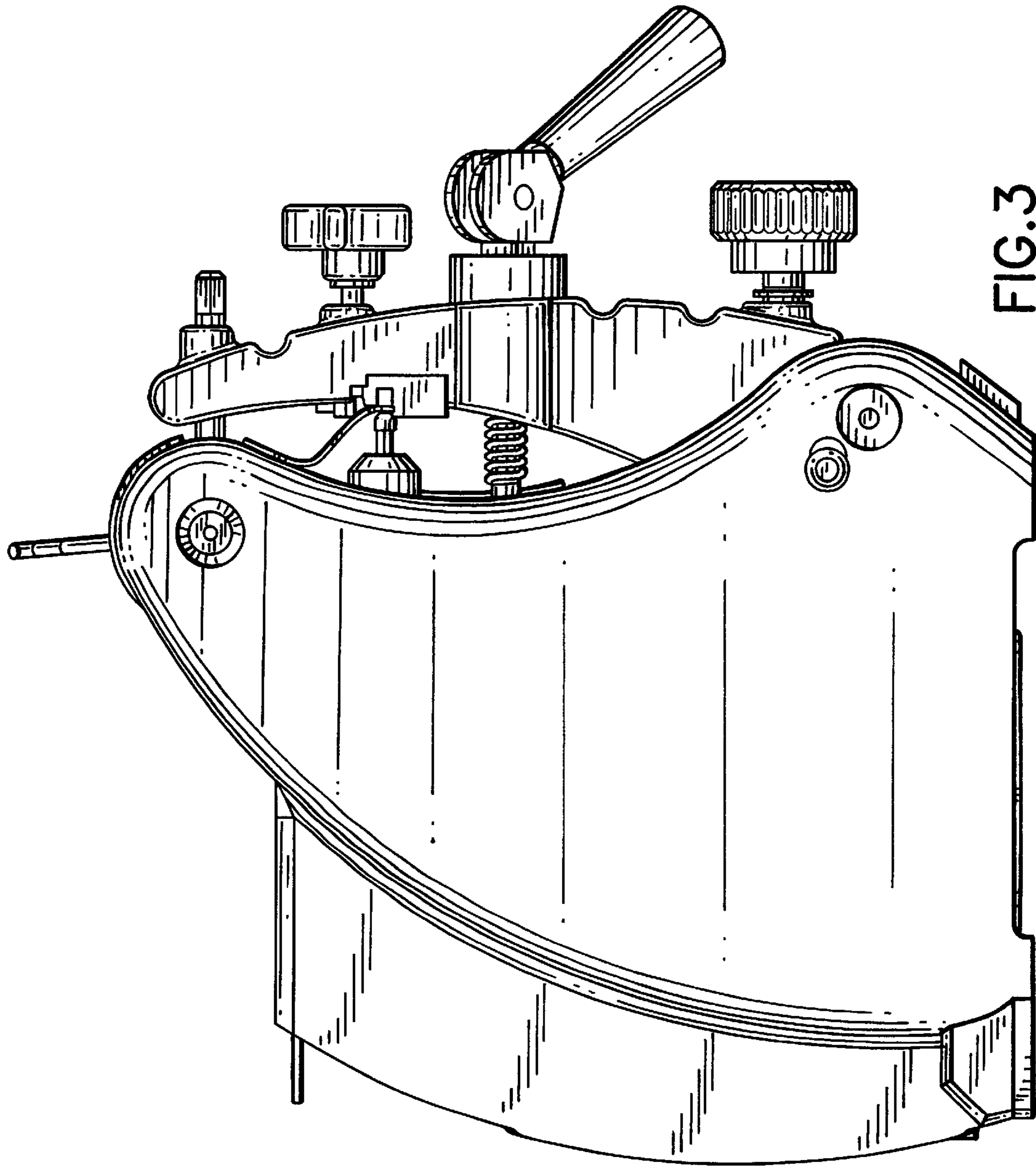


FIG. 3

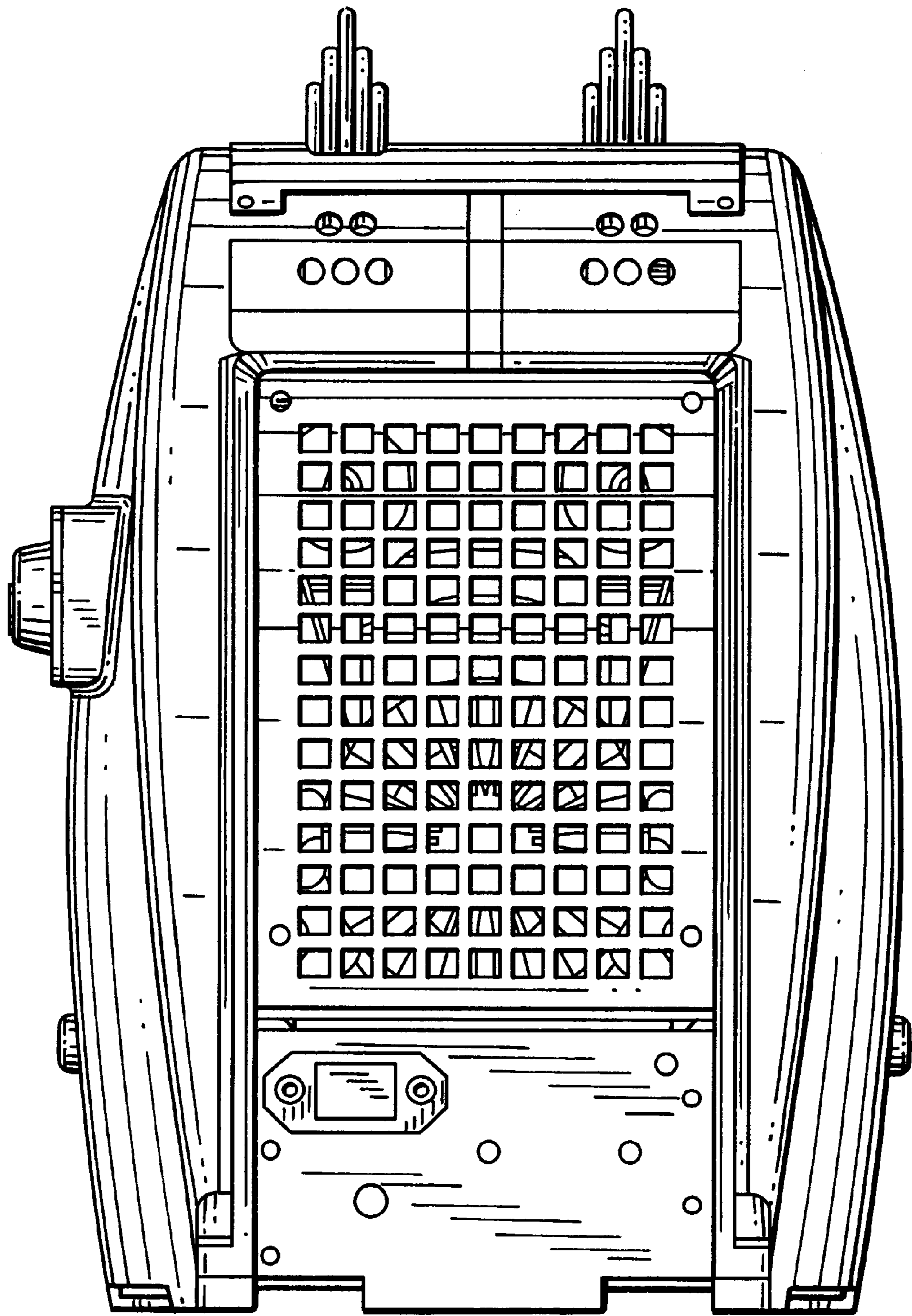


FIG.4

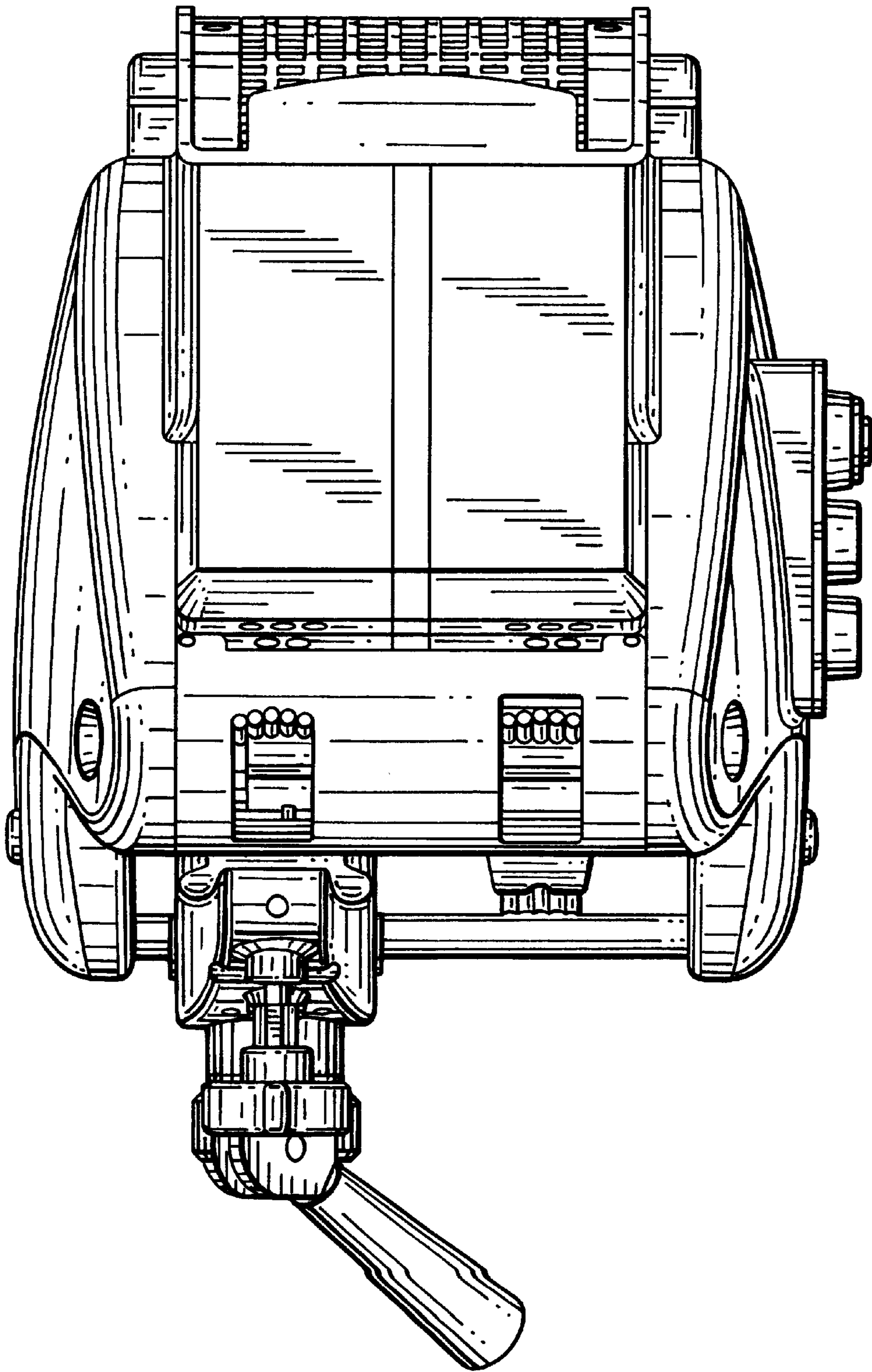


FIG.5

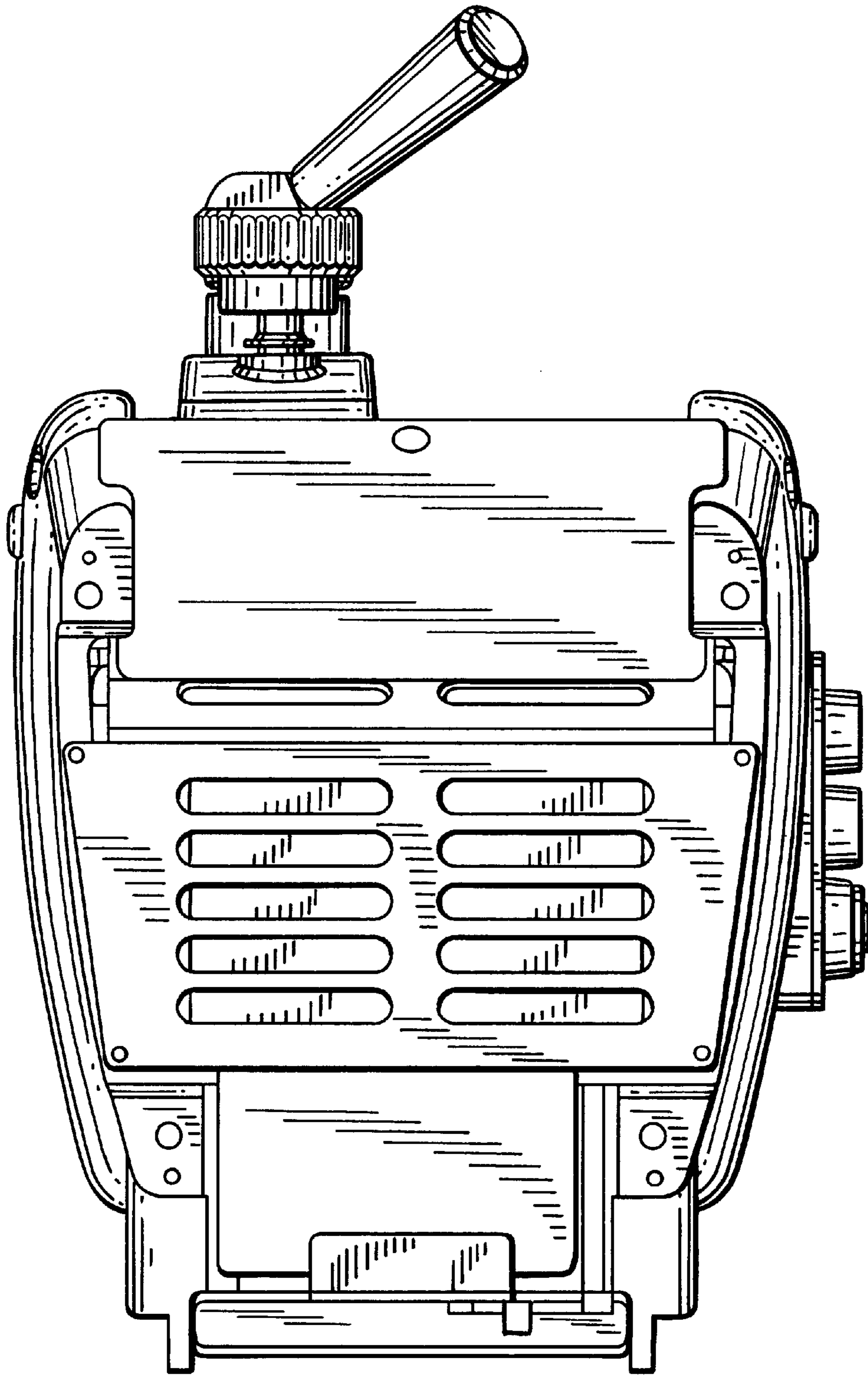


FIG.6

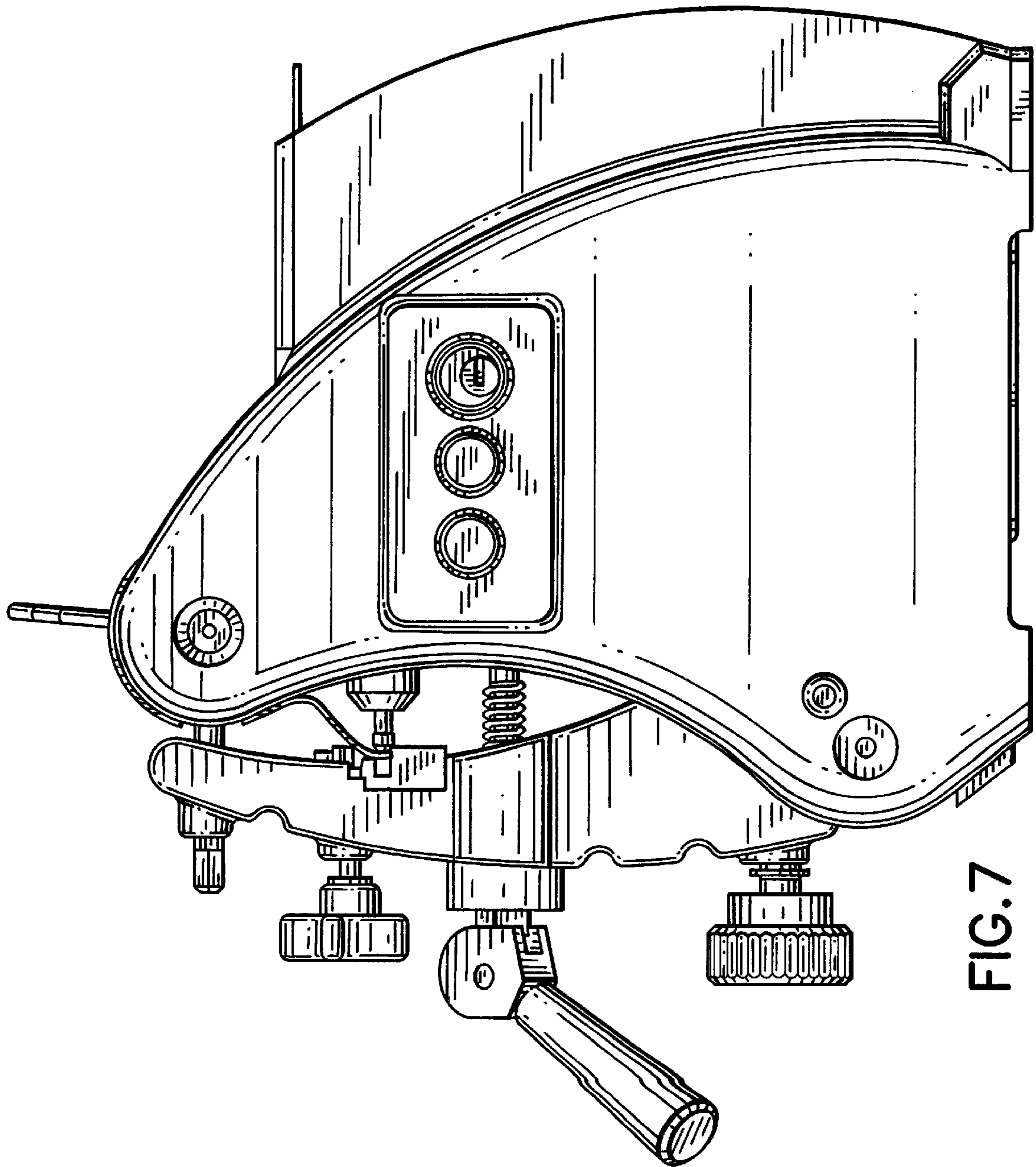


FIG. 7