



US00D441378S

(12) **United States Design Patent**
Kou

(10) **Patent No.:** **US D441,378 S**

(45) **Date of Patent:** **** May 1, 2001**

(54) **REFRIGERANT COMPRESSOR FOR AN AIR
CONDITIONER OF VEHICLE**

4,600,367 * 7/1986 Terauchi et al. 417/360
4,938,448 * 7/1990 Shimazaki 248/635
4,993,682 * 2/1991 Imai et al. 248/638

(75) Inventor: **Tsukamoto Kou**, Isesaki (JP)

* cited by examiner

(73) Assignee: **Sanden Corporation**, Gunma (JP)

Primary Examiner—Ralf Seifert

(**) Term: **14 Years**

(74) *Attorney, Agent, or Firm*—Baker Botts L.L.P.

(21) Appl. No.: **29/113,665**

(57) **CLAIM**

(22) Filed: **Nov. 10, 1999**

The ornamental design for a refrigerant compressor for an air conditioner of vehicle, as shown and described.

(30) **Foreign Application Priority Data**

DESCRIPTION

May 10, 1999 (JP) D11-12146

(51) **LOC (7) Cl.** **15-02**

(52) **U.S. Cl.** **D15/9**

(58) **Field of Search** D15/5, 7-9; D23/354,
D23/163, 325, 365; 418/259; 417/359,
415, 410.3, 534

FIG. 1 is a front view of a refrigerant compressor for an air conditioner for a vehicle, according to my design.

FIG. 2 is a rear elevation view of the refrigerant compressor of FIG. 1.

FIG. 3 is a top plan view of the refrigerant compressor of FIG. 1.

FIG. 4 is a bottom plan view of the refrigerant compressor of FIG. 1.

FIG. 5 is a left side view of the refrigerant compressor of FIG. 1.

FIG. 6 is a right side view of the refrigerant compressor of FIG. 1.

FIG. 7 is a perspective view of the refrigerant compressor of FIG. 1; and,

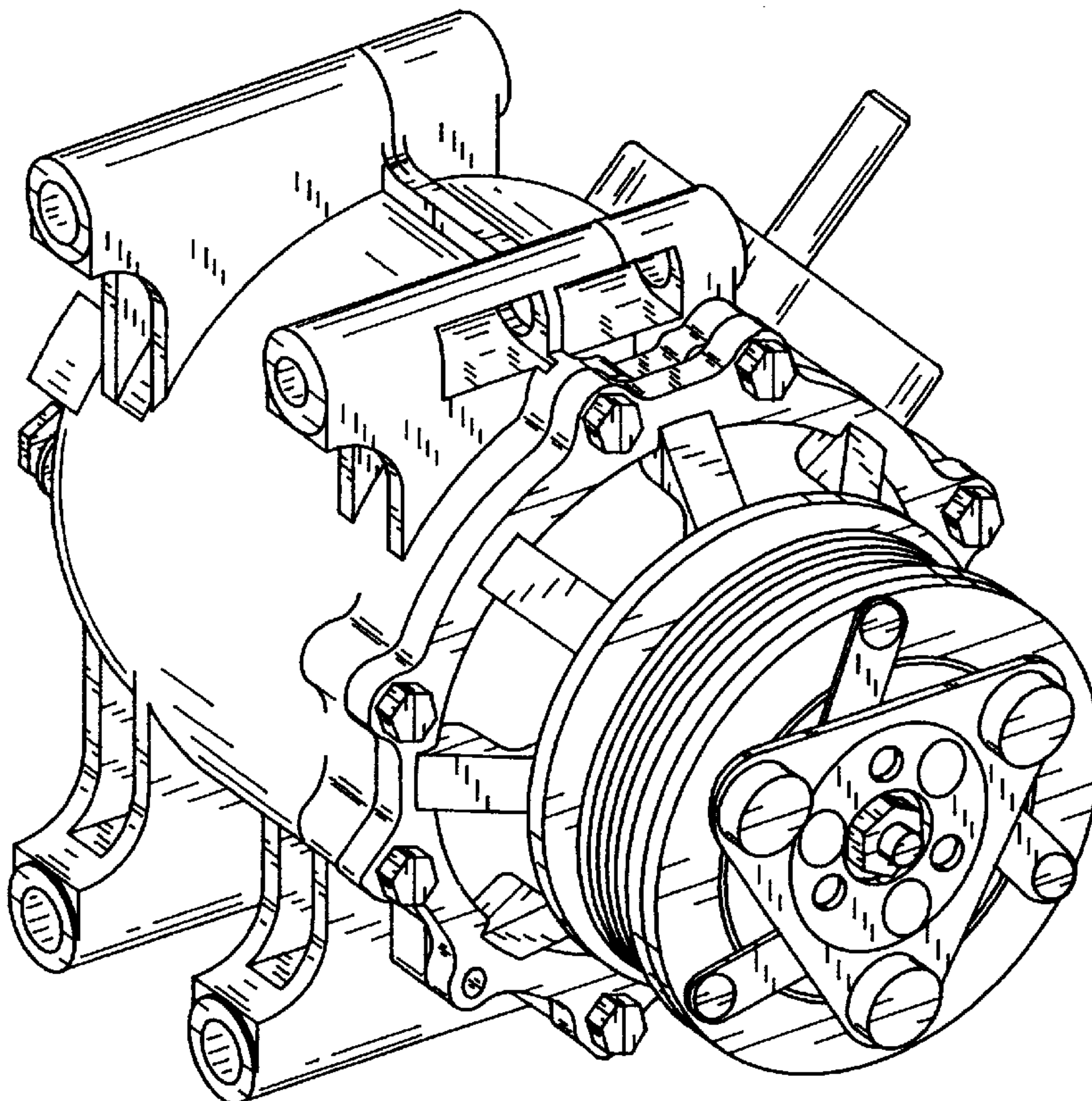
FIG. 8 is a perspective view of the refrigerant compressor of FIG. 1.

(56) **References Cited**

U.S. PATENT DOCUMENTS

- D. 282,471 * 2/1986 Bearint et al. D15/9
- D. 351,603 * 10/1994 Ikeda et al. D15/9
- D. 352,291 * 11/1994 Ikeda et al. D15/7
- D. 356,862 * 3/1995 Ito et al. D23/325
- D. 381,340 * 7/1997 Takenaka et al. D15/9
- D. 381,993 * 8/1997 Takenaka et al. D15/9
- D. 417,266 * 11/1999 Ito et al. D15/9
- 4,373,876 * 2/1983 Nemoto 417/534

1 Claim, 5 Drawing Sheets



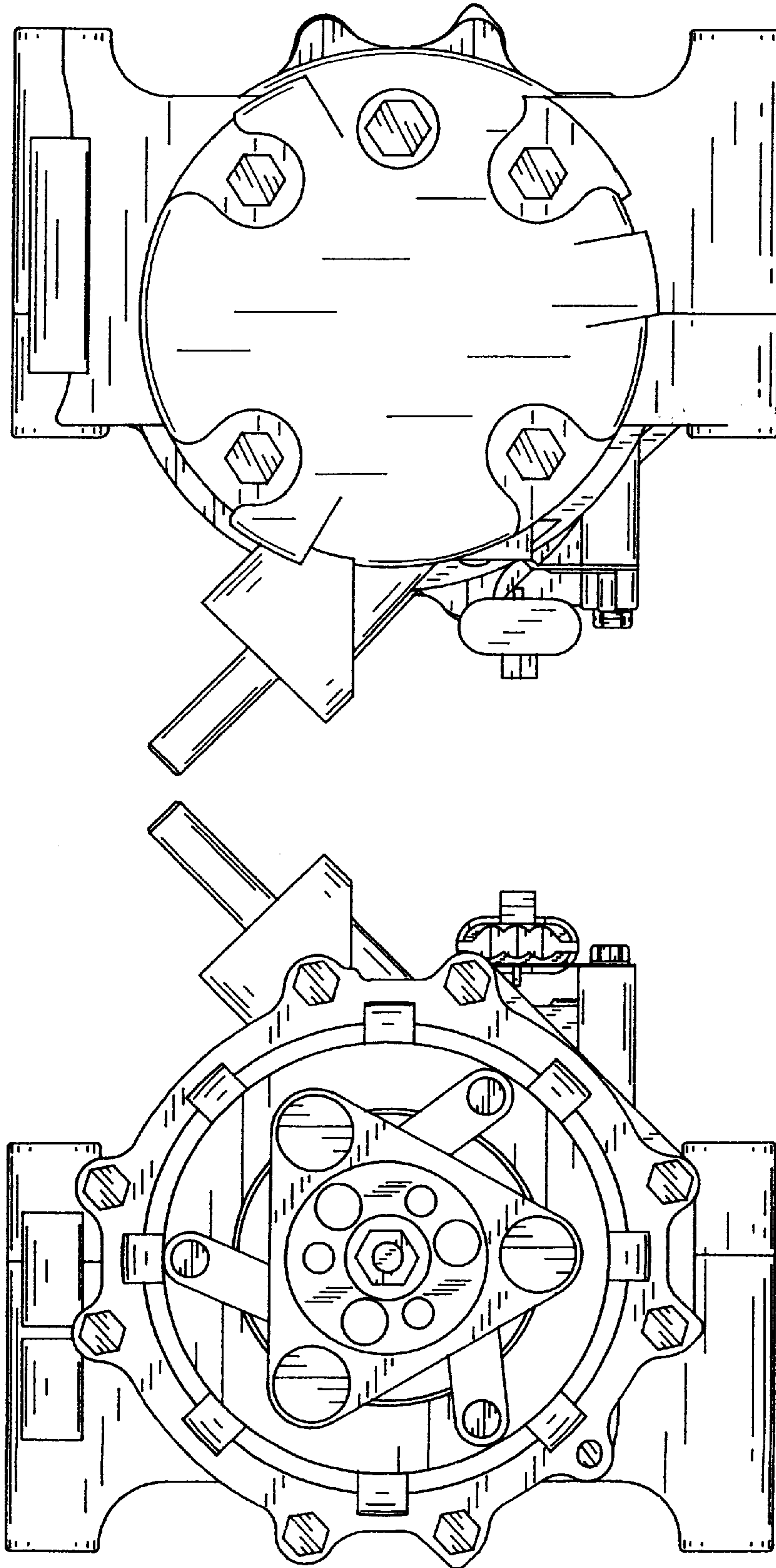


FIG. 1

FIG. 2

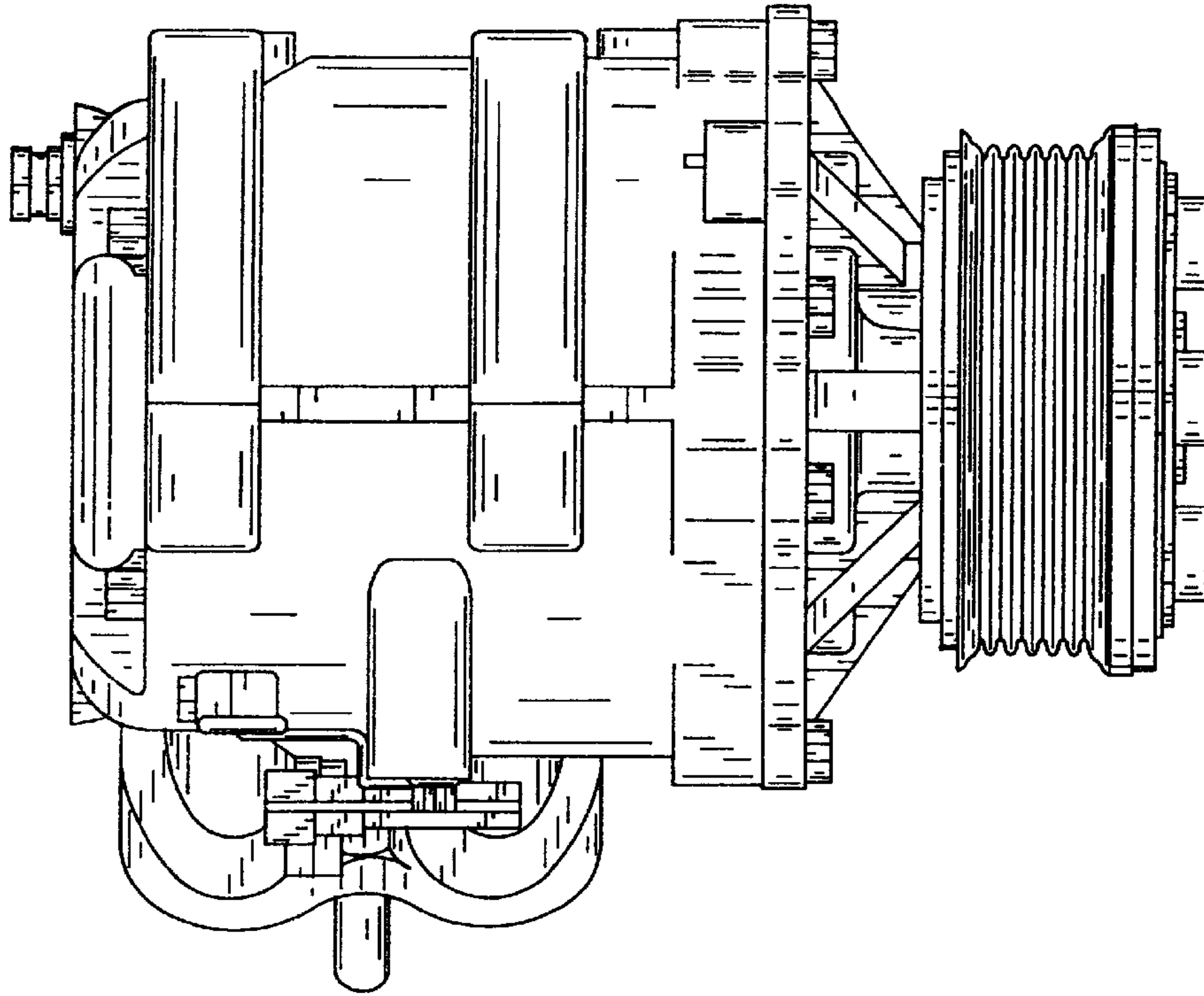


FIG. 4

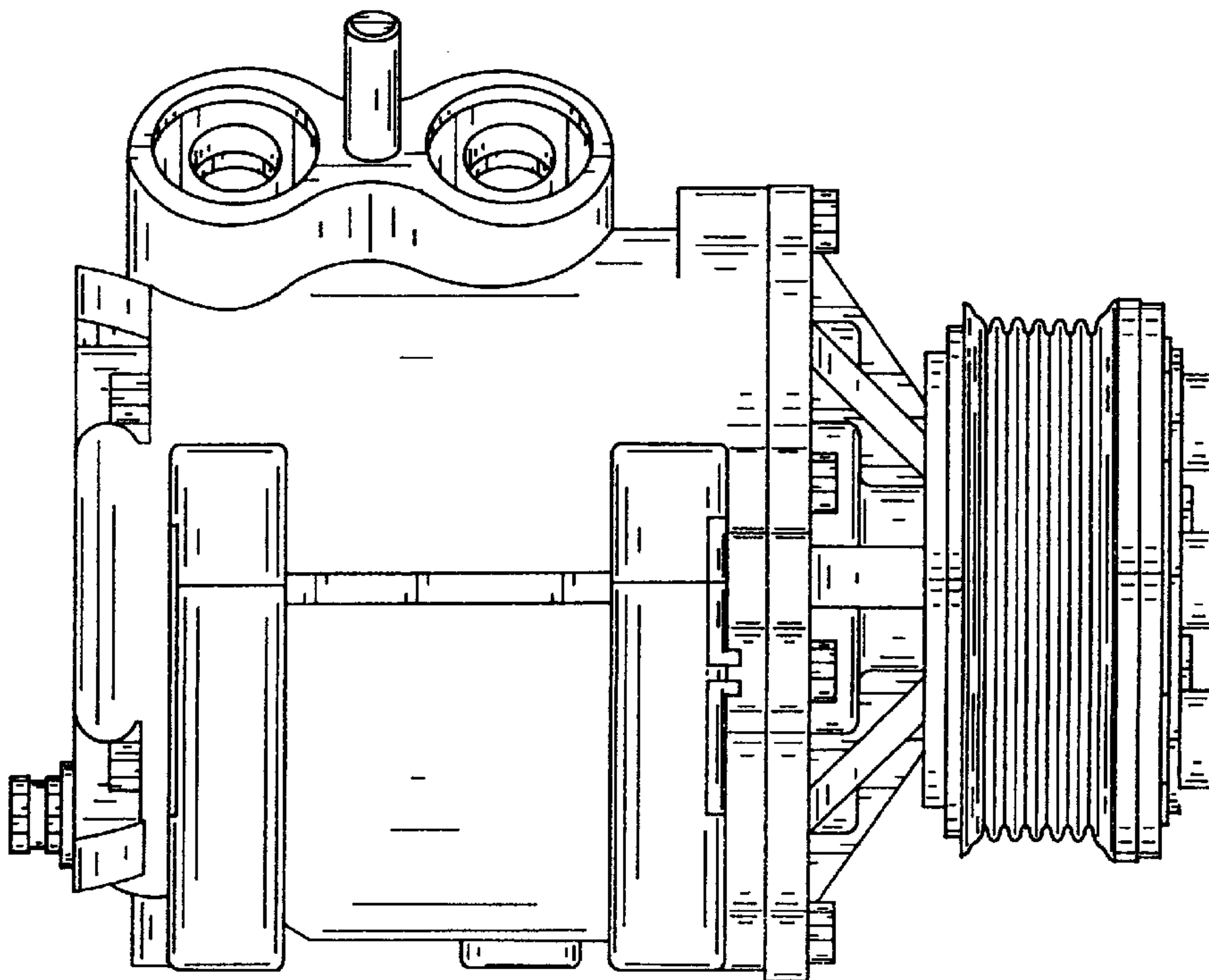


FIG. 3

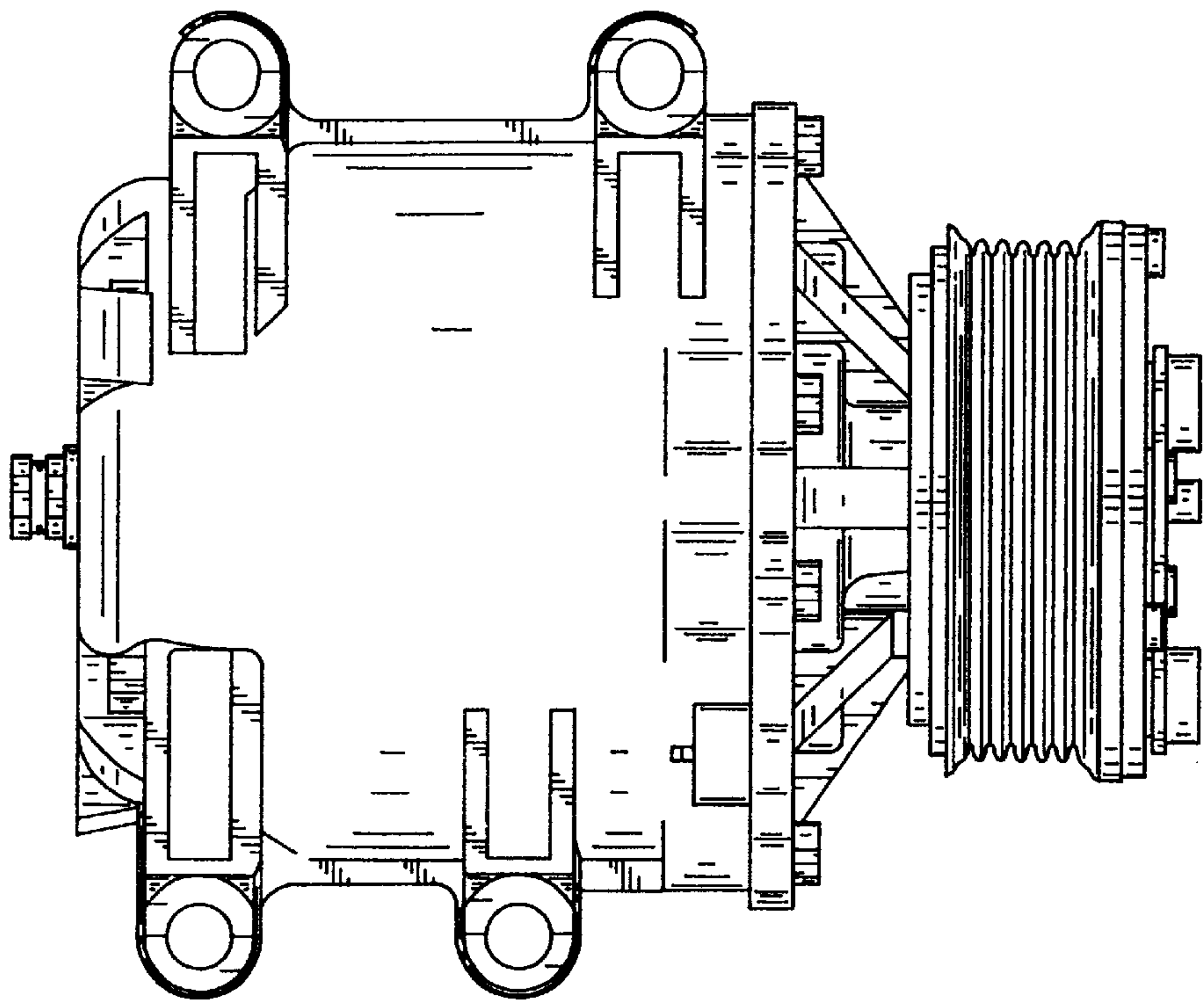


FIG. 5

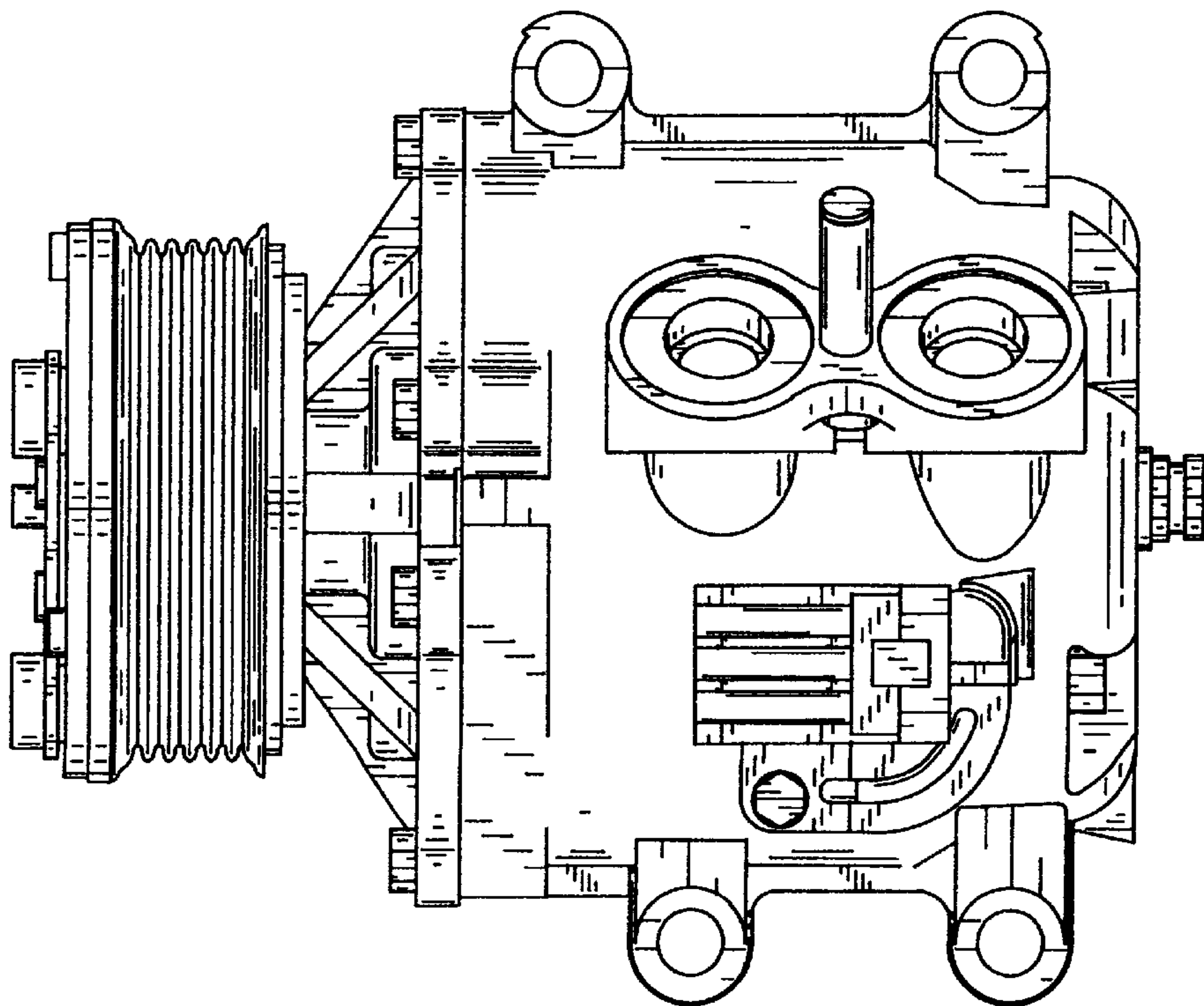


FIG. 6

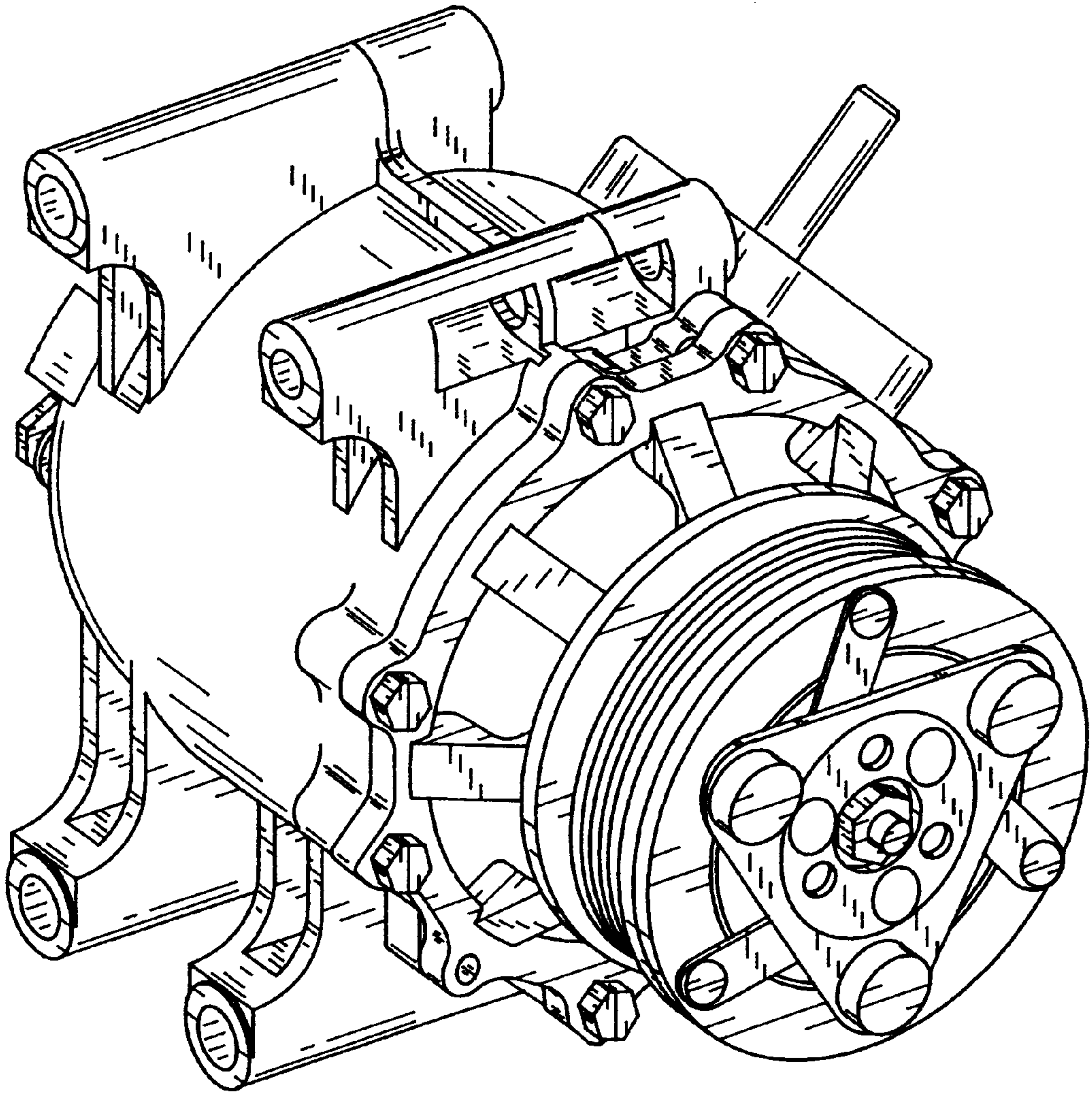


FIG. 7

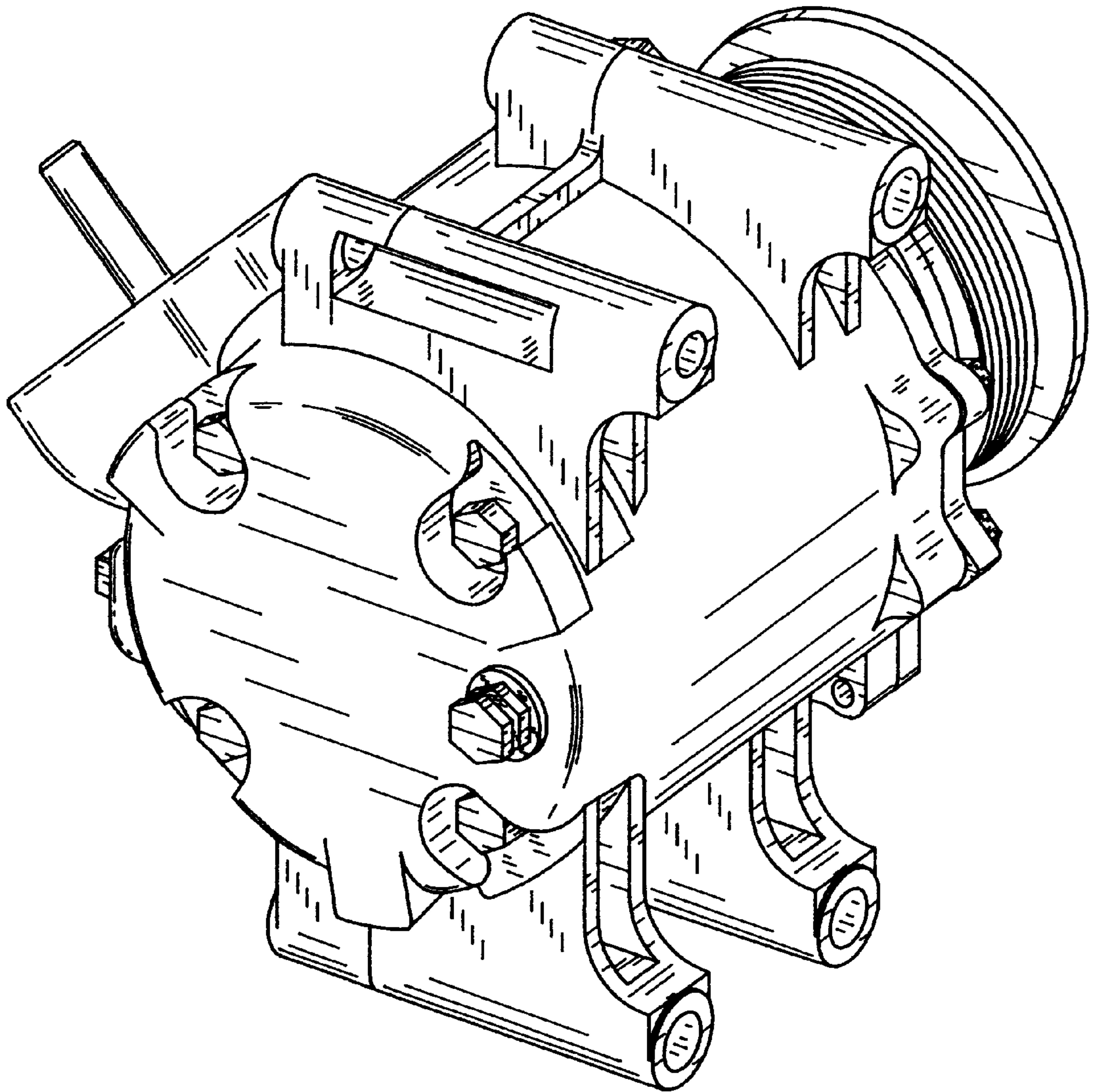


FIG. 8