



US00D441377S

(12) **United States Design Patent** (10) **Patent No.:** **US D441,377 S**
Kawaguchi et al. (45) **Date of Patent:** **** May 1, 2001**

(54) **COMPRESSOR FOR A VEHICLE AIR CONDITIONER**

(75) Inventors: **Masahiro Kawaguchi; Masanori Sonobe; Ken Suitou; Tetsuhiko Fukanuma; Osamu Hiramatsu**, all of Kariya (JP)

(73) Assignee: **Kabushiki Kaisha Toyota Jidoshokki Seisakusho**, Kariya (JP)

(**) Term: **14 Years**

(21) Appl. No.: **29/079,258**

(22) Filed: **Nov. 10, 1997**

(30) **Foreign Application Priority Data**

May 9, 1997	(JP)	9-53919
Sep. 16, 1997	(JP)	9-68048
Sep. 16, 1997	(JP)	9-68049
Sep. 16, 1997	(JP)	9-68050
Sep. 16, 1997	(JP)	9-68051
Sep. 16, 1997	(JP)	9-68052
Sep. 16, 1997	(JP)	9-68053

(51) **LOC (7) Cl.** **15-02**

(52) **U.S. Cl.** **D15/9**

(58) **Field of Search** D15/1-5; D23/324, D23/325, 352, 354; 417/415, 234, 539, 222.1, 231, 205, 360, 572

(56) **References Cited**

U.S. PATENT DOCUMENTS

D. 282,471	*	2/1986	Bearint et al.	D15/9
D. 351,603	*	10/1994	Ikeda et al.	D15/9
D. 352,291	*	11/1994	Ikeda et al.	D15/7
D. 353,145	*	12/1994	Ikeda et al.	D15/9
D. 370,225	*	5/1996	Wada et al.	D15/9
D. 373,366	*	9/1996	Wada et al.	D15/9
D. 381,993	*	8/1997	Takenaka et al.	D15/9
5,470,207	*	11/1995	Shockey et al.	417/360

* cited by examiner

Primary Examiner—Ralf Seifert

(74) *Attorney, Agent, or Firm*—Morgan & Finnegan, LLP

(57) **CLAIM**

The ornamental design for a compressor for a vehicle air conditioner, as shown and described.

DESCRIPTION

FIG. 1 is a front elevational view of a compressor for a vehicle air conditioner;
 FIG. 2 is a rear elevational view thereof;
 FIG. 3 is a top plan view thereof;
 FIG. 4 is a bottom plan view thereof;
 FIG. 5 is a right side elevational view thereof;
 FIG. 6 is a left side elevational view thereof;
 FIG. 7 is a front perspective view thereof; and
 FIG. 8 is a rear perspective view thereof.
 FIG. 9 is a front elevational view of a second embodiment of the compressor for a vehicle air conditioner;
 FIG. 10 is a rear elevational view thereof;
 FIG. 11 is a top plan view thereof;
 FIG. 12 is a bottom plan view thereof;
 FIG. 13 is a right side elevational view thereof;
 FIG. 14 is a left side elevational view thereof;
 FIG. 15 is a front perspective view thereof; and
 FIG. 16 is a rear perspective view thereof.
 FIG. 17 is a front elevational view of a sixth embodiment of the compressor for a vehicle air conditioner;
 FIG. 18 is a rear elevational view thereof;
 FIG. 19 is a top plan view thereof;
 FIG. 20 is a bottom plan view thereof;
 FIG. 21 is a right side elevational view thereof;
 FIG. 22 is a left side elevational view thereof;
 FIG. 23 is a front perspective view thereof; and
 FIG. 24 is a rear perspective view thereof.
 FIG. 25 is a front elevational view of a seventh embodiment of the compressor for a vehicle air conditioner;
 FIG. 26 is a rear elevational view thereof;
 FIG. 27 is a top plan view thereof;
 FIG. 28 is a bottom plan view thereof;
 FIG. 29 is a right side elevational view thereof;
 FIG. 30 is a left side elevational view thereof;
 FIG. 31 is a front perspective view thereof;
 FIG. 32 is a rear perspective view thereof; and
 FIG. 33 is a partial perspective view showing a location for mounting the compressor.

1 Claim, 17 Drawing Sheets

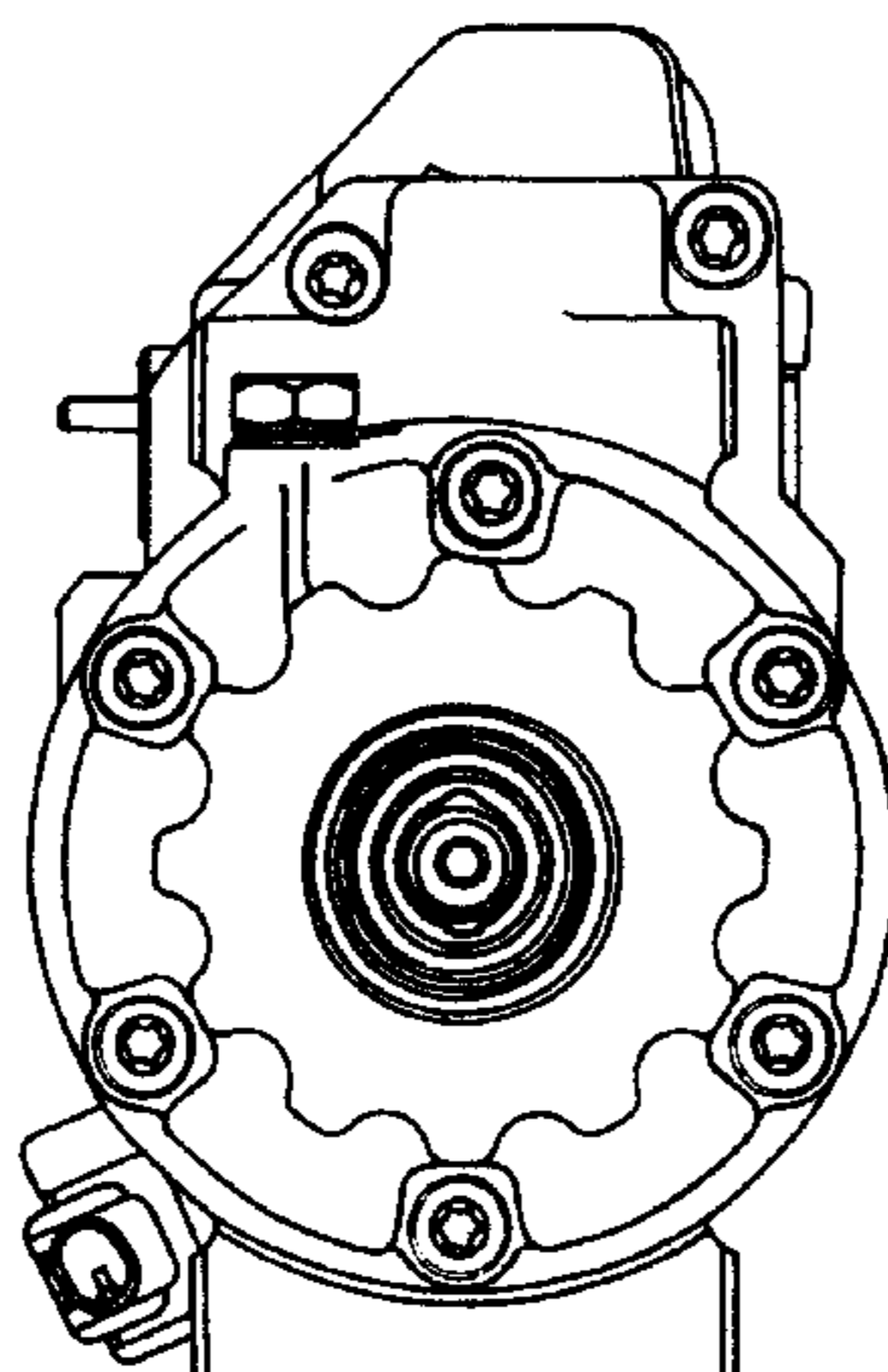


Fig. 1

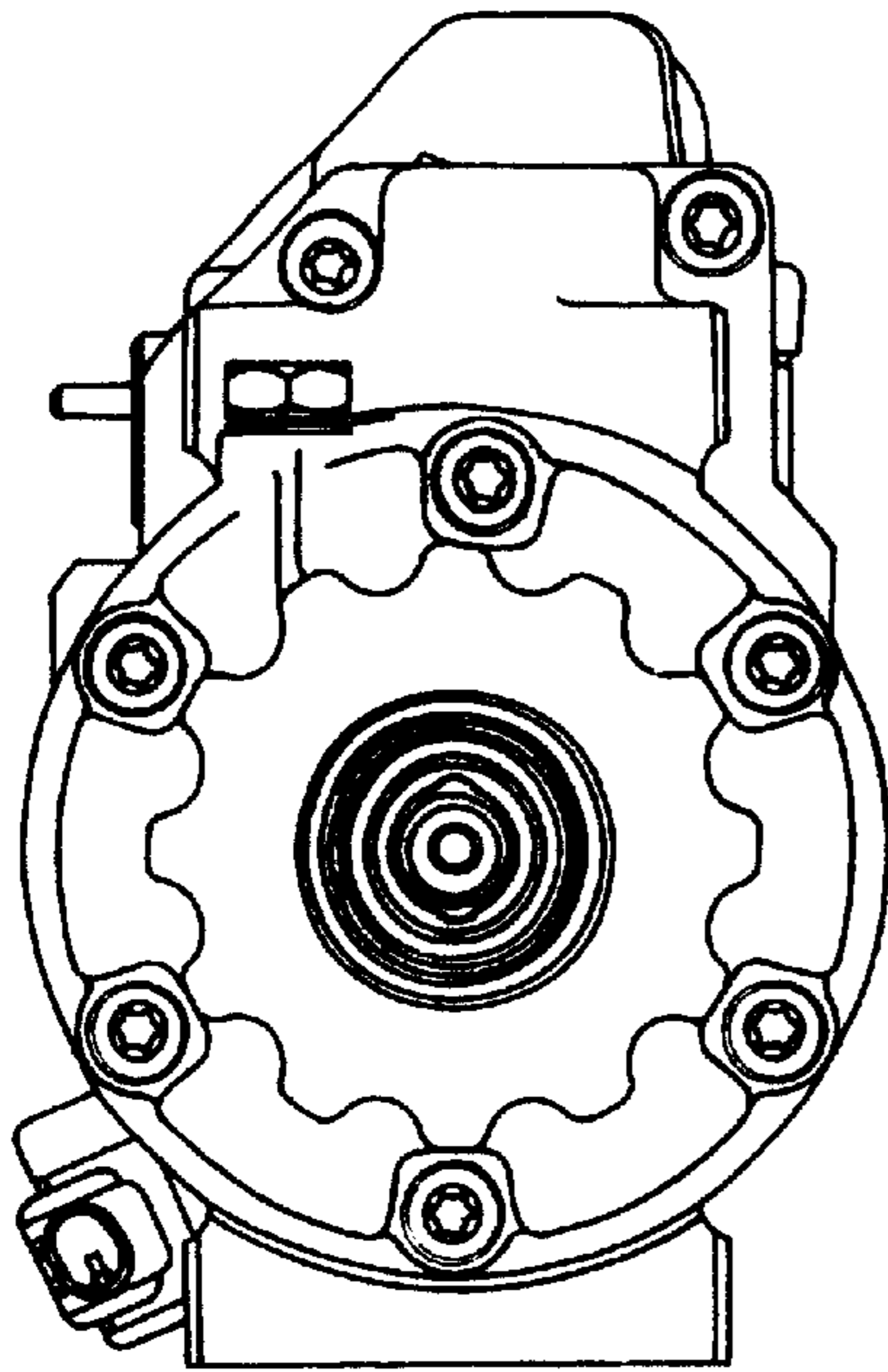


Fig. 2

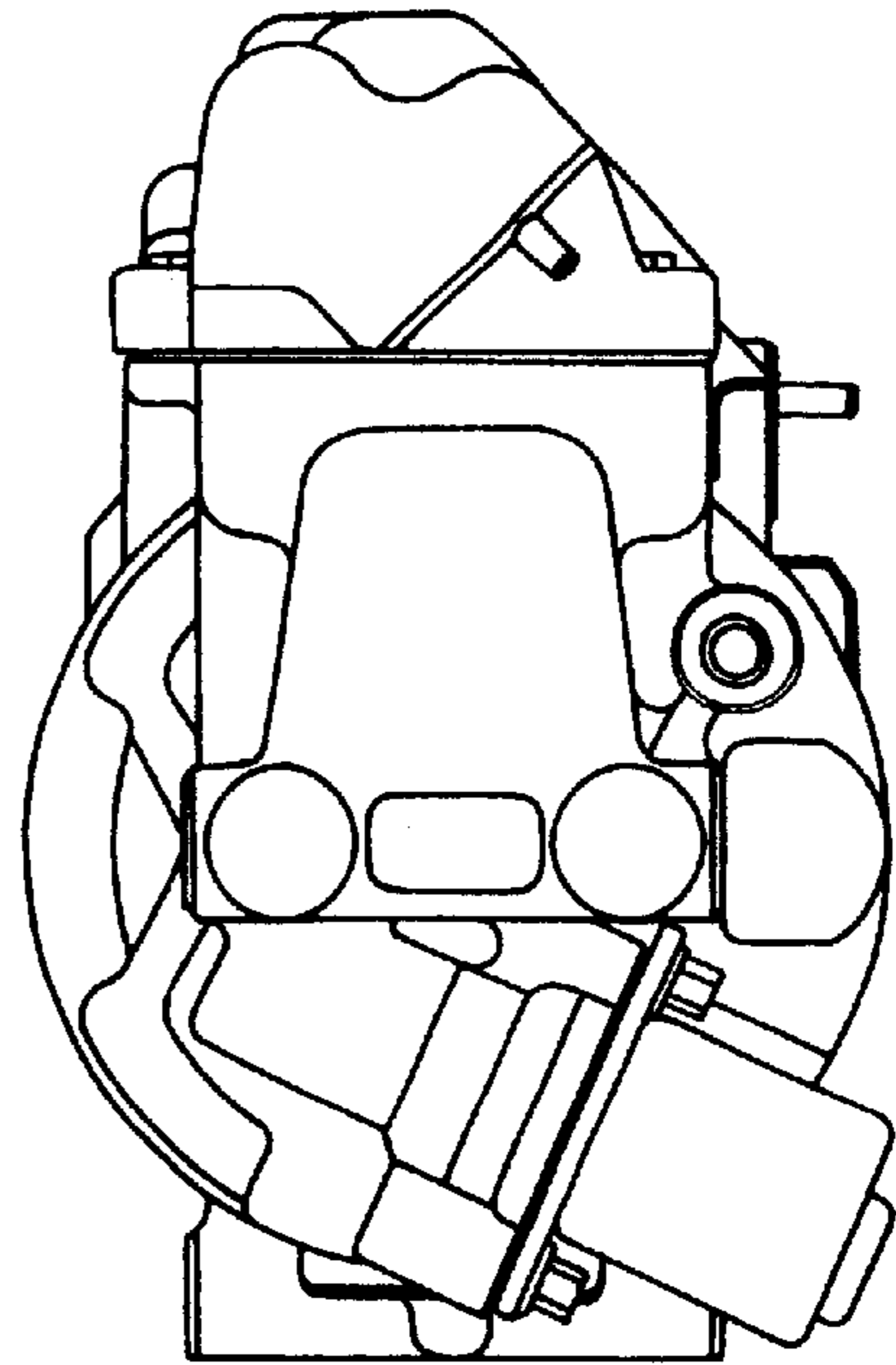


Fig. 3

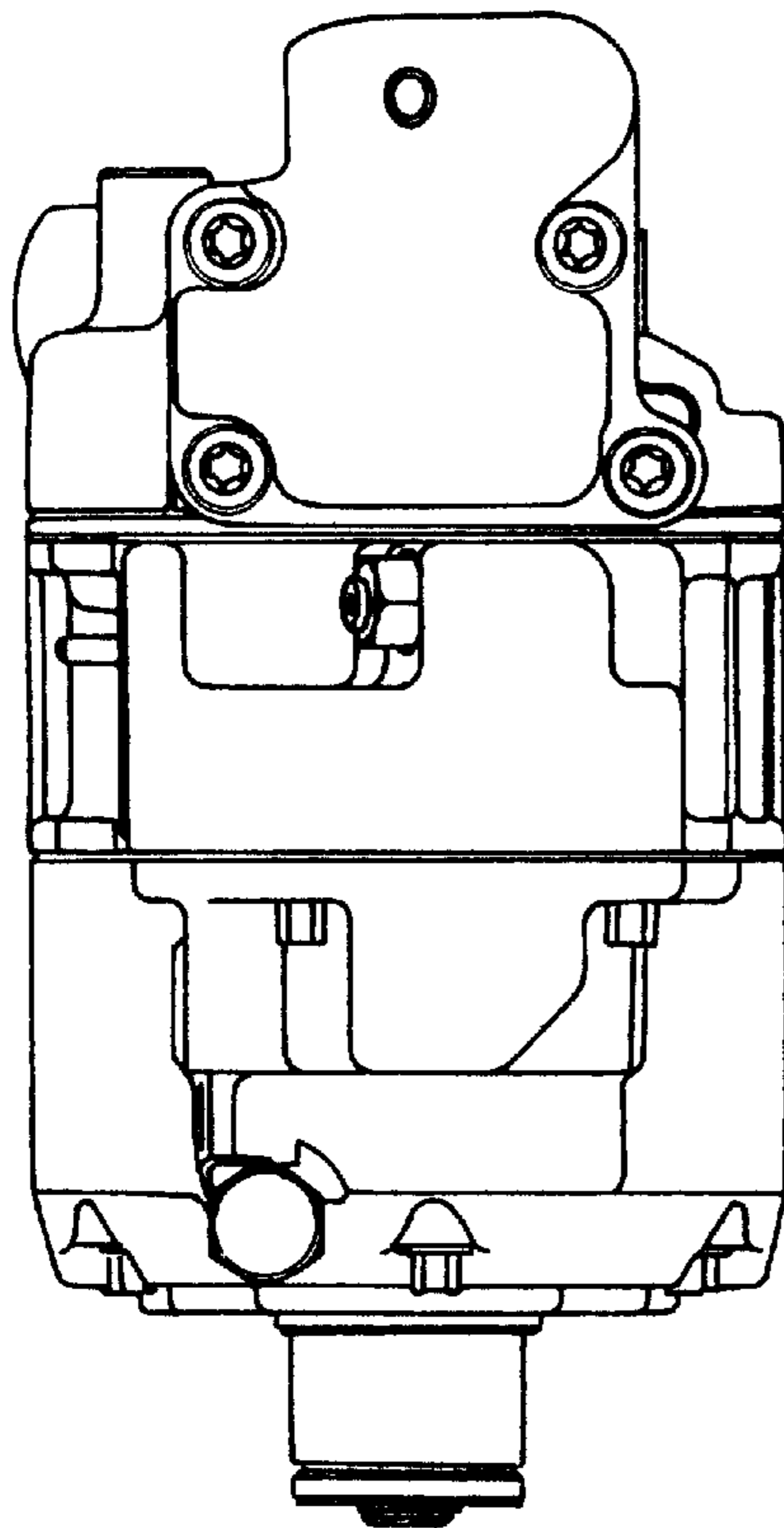


Fig. 4

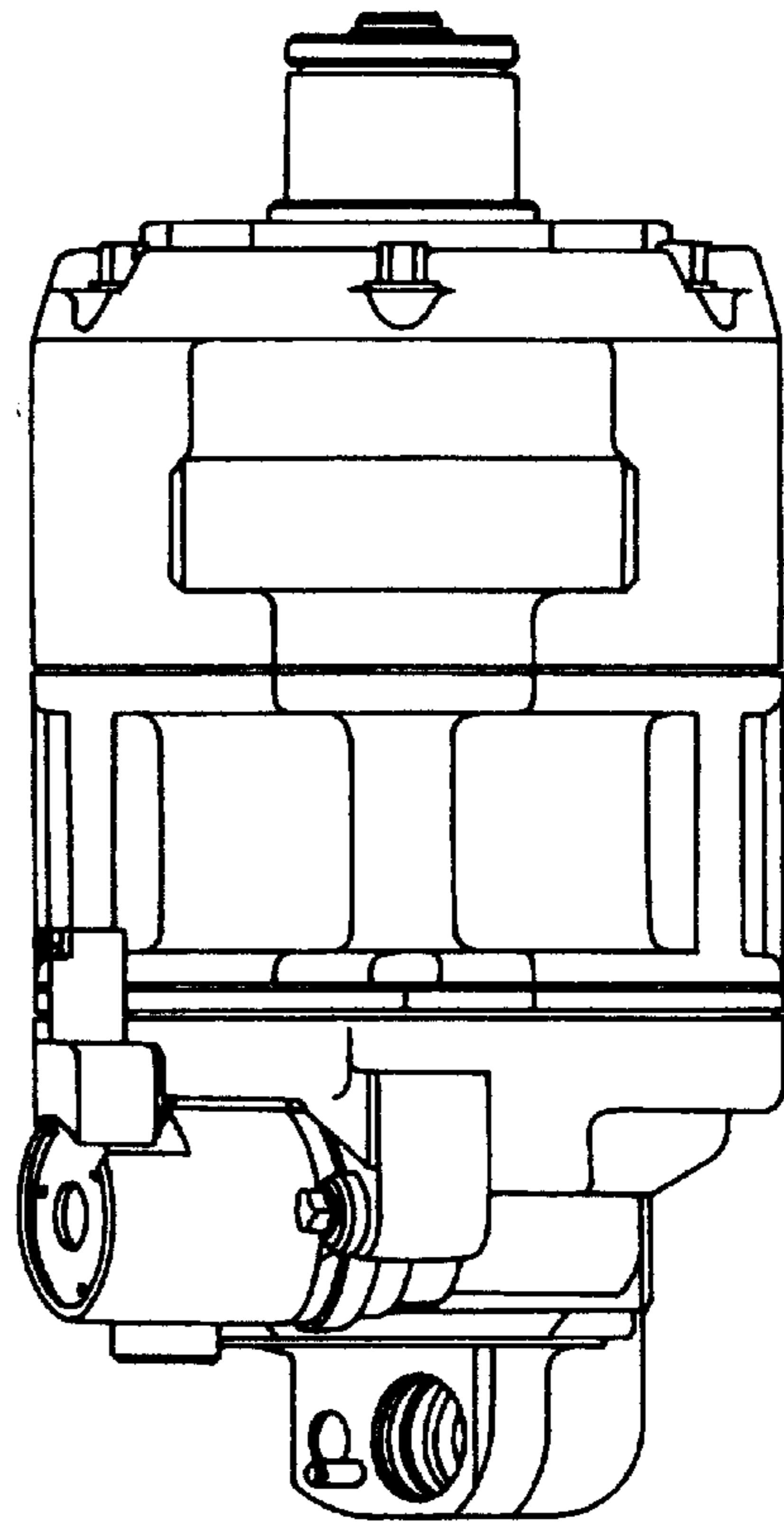


Fig. 5

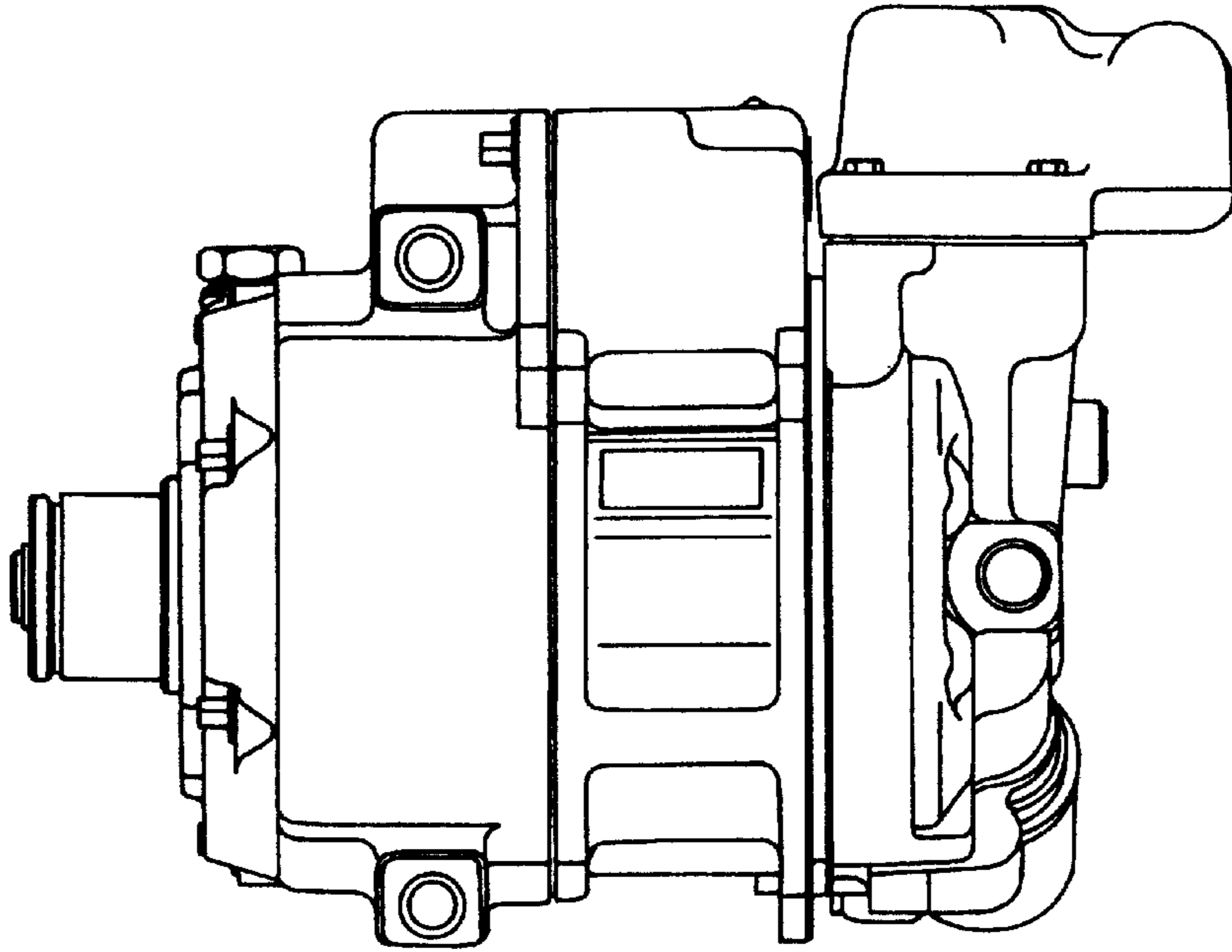


Fig. 6

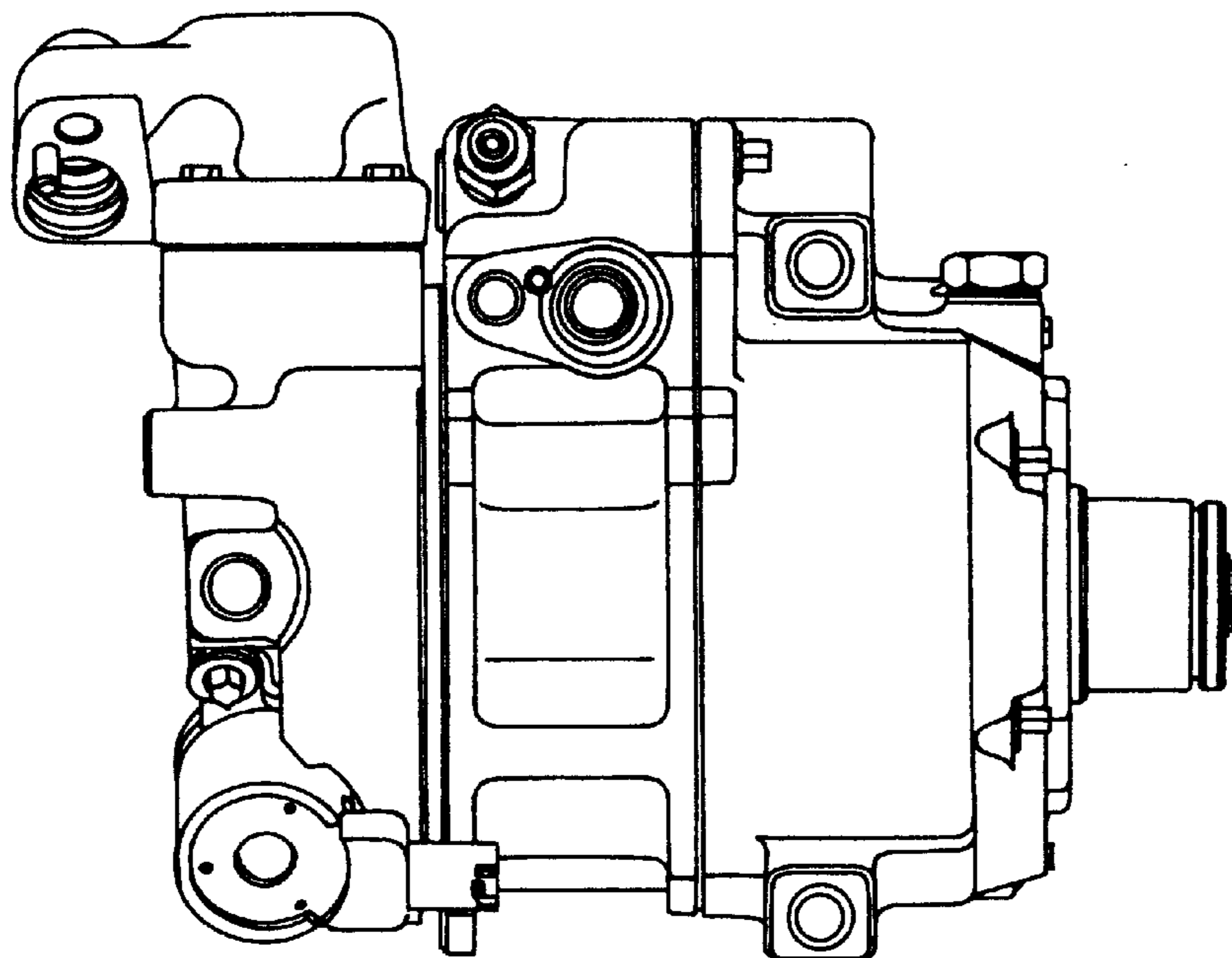


Fig. 7

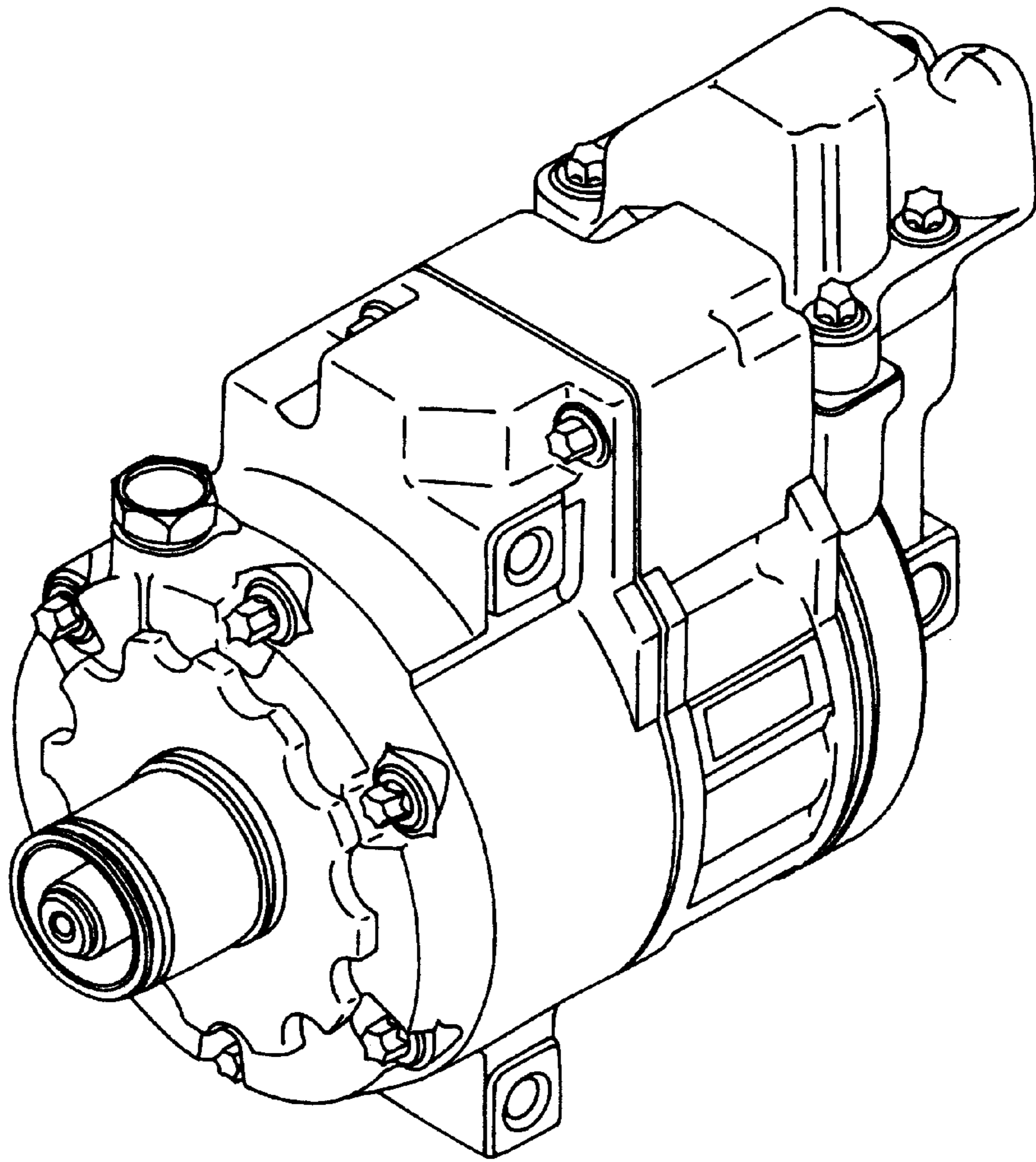


Fig. 8

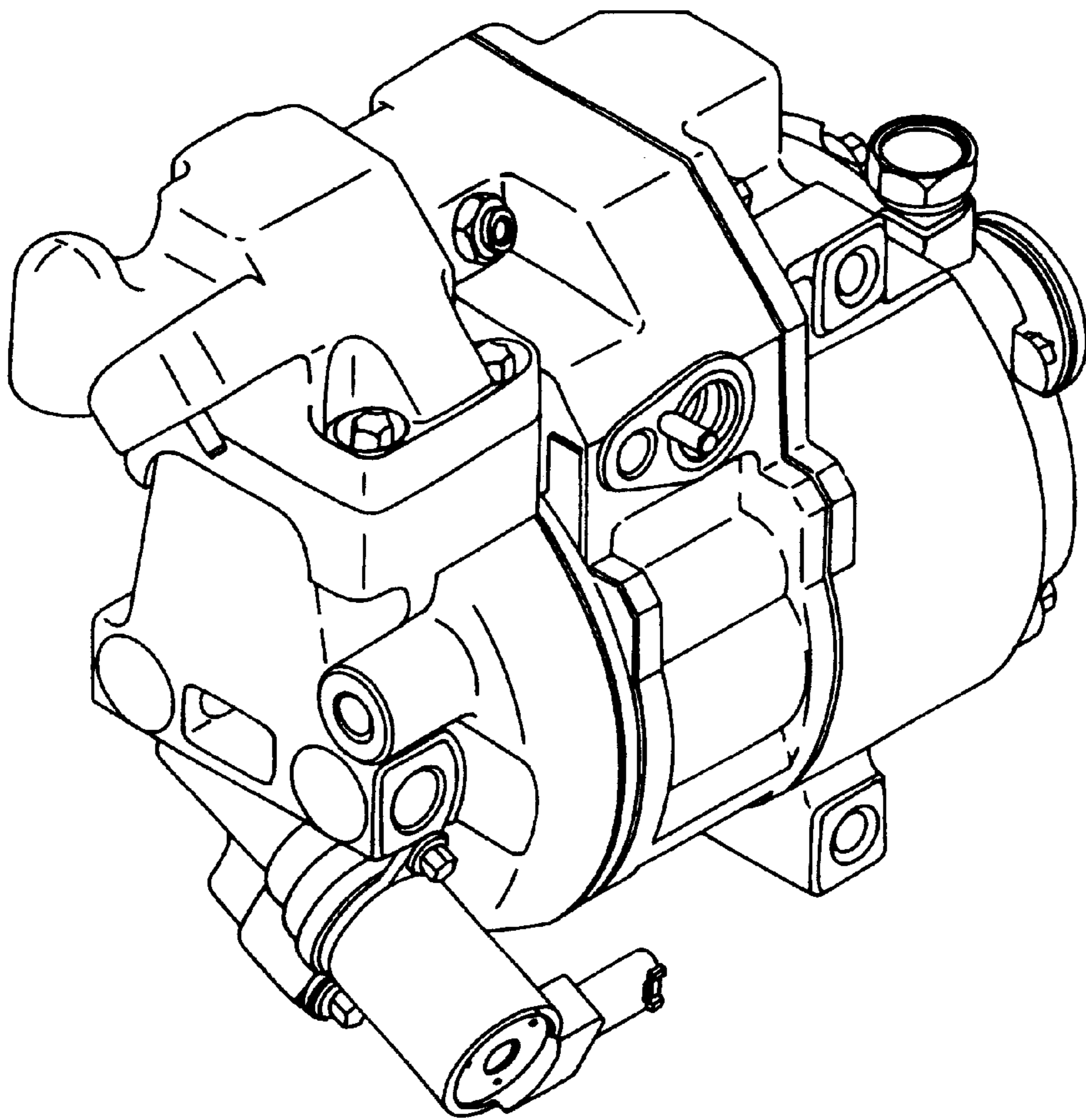


Fig. 9

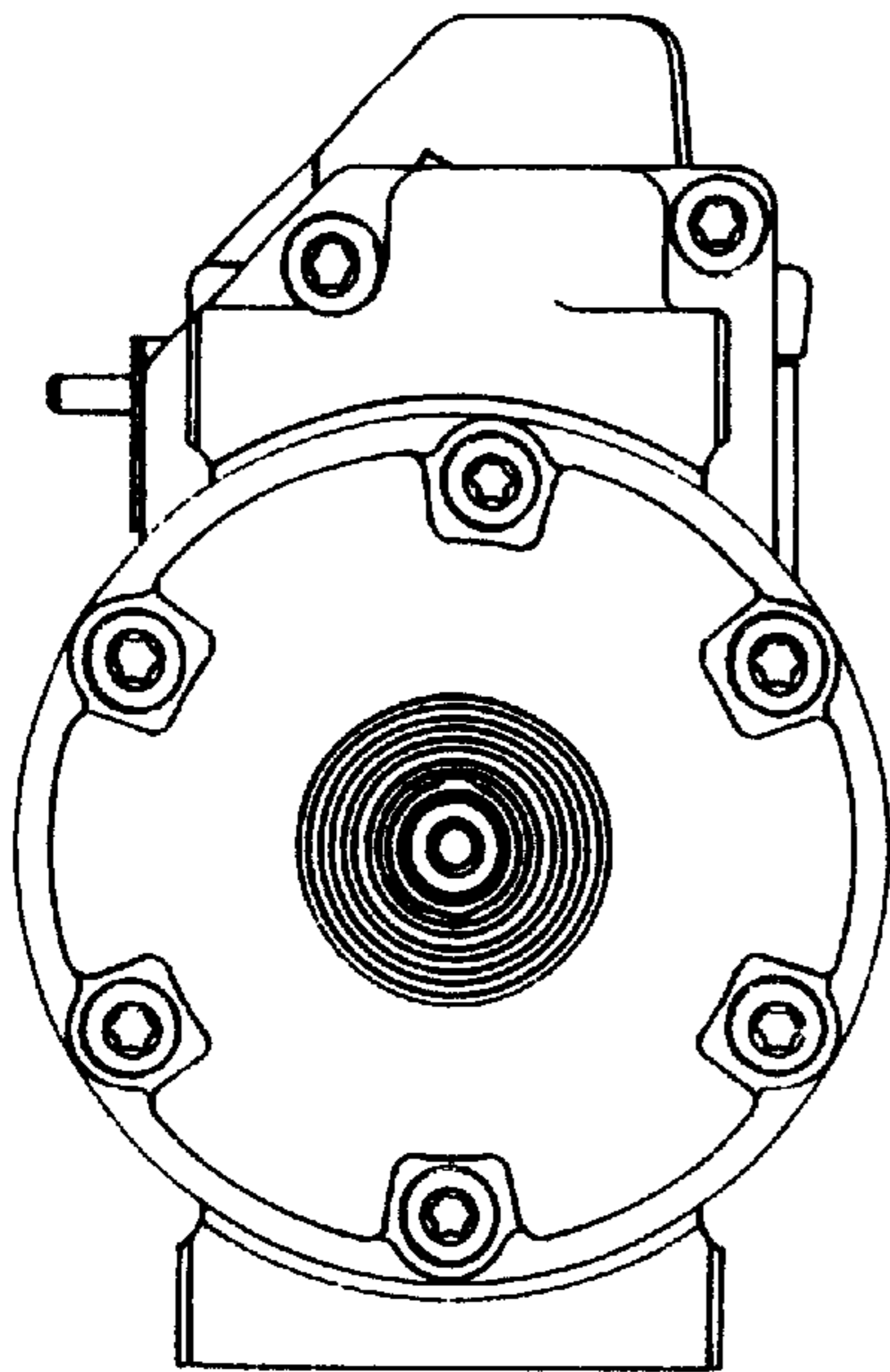


Fig. 10

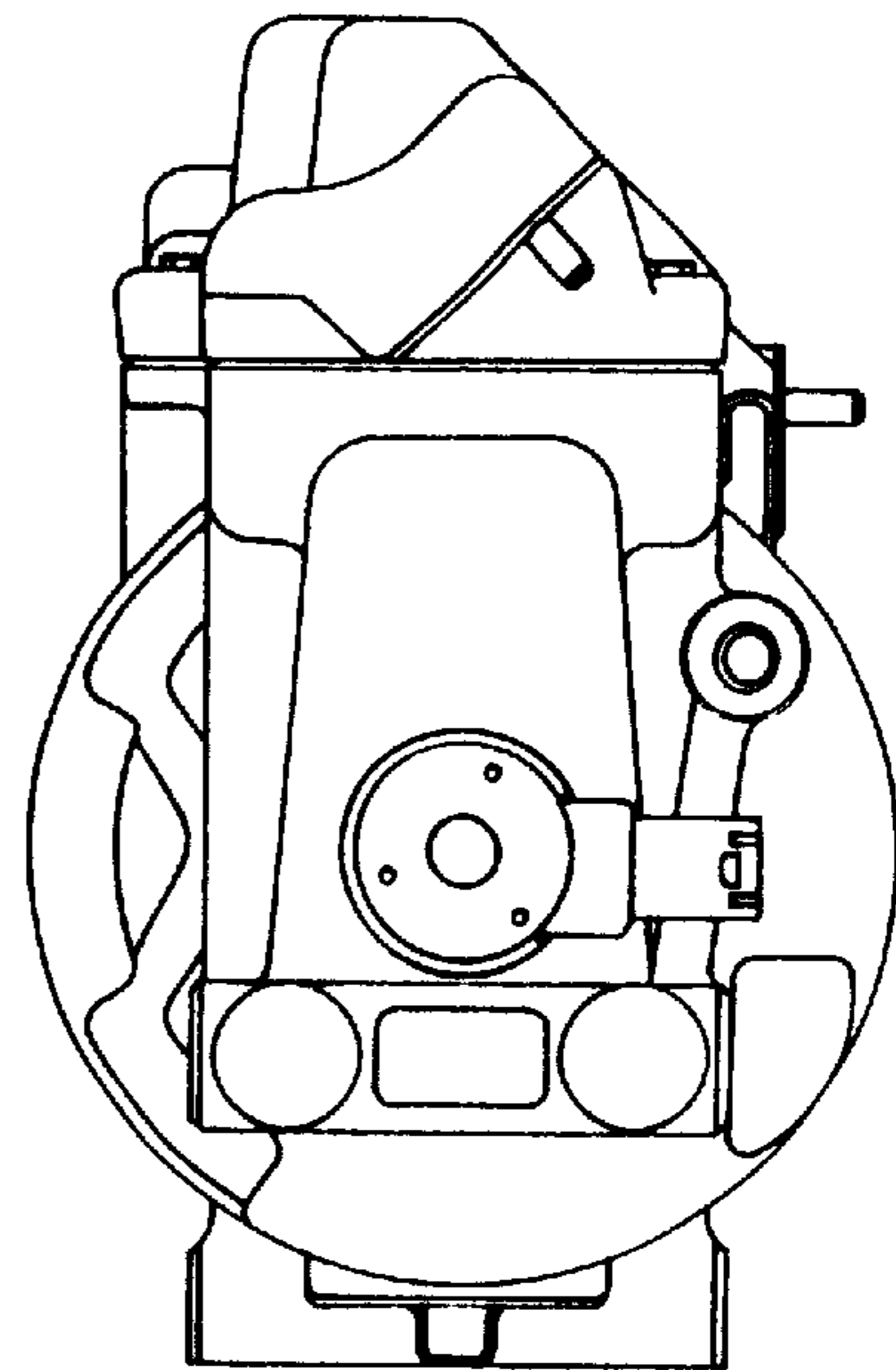


Fig. 11

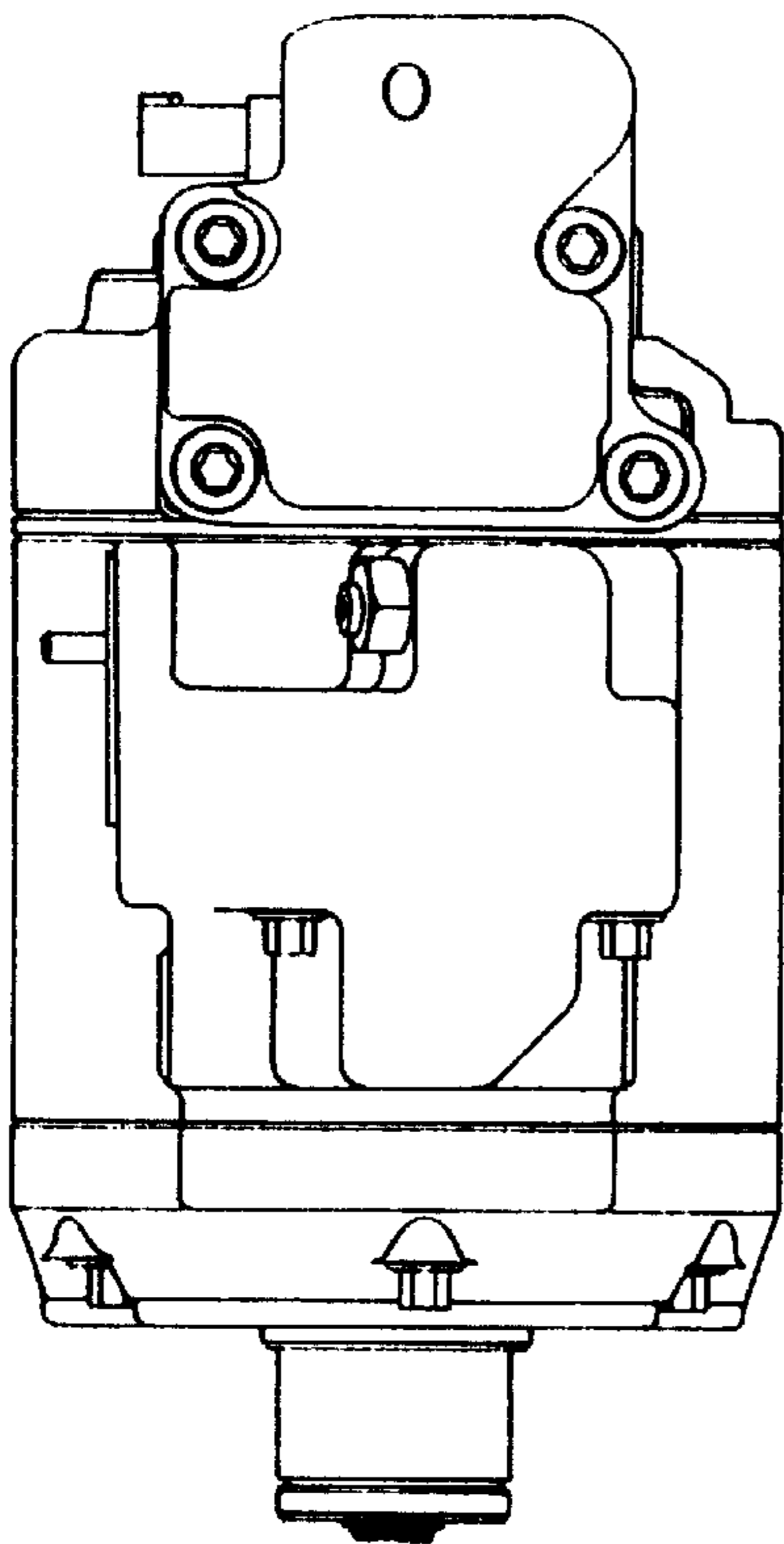


Fig. 12

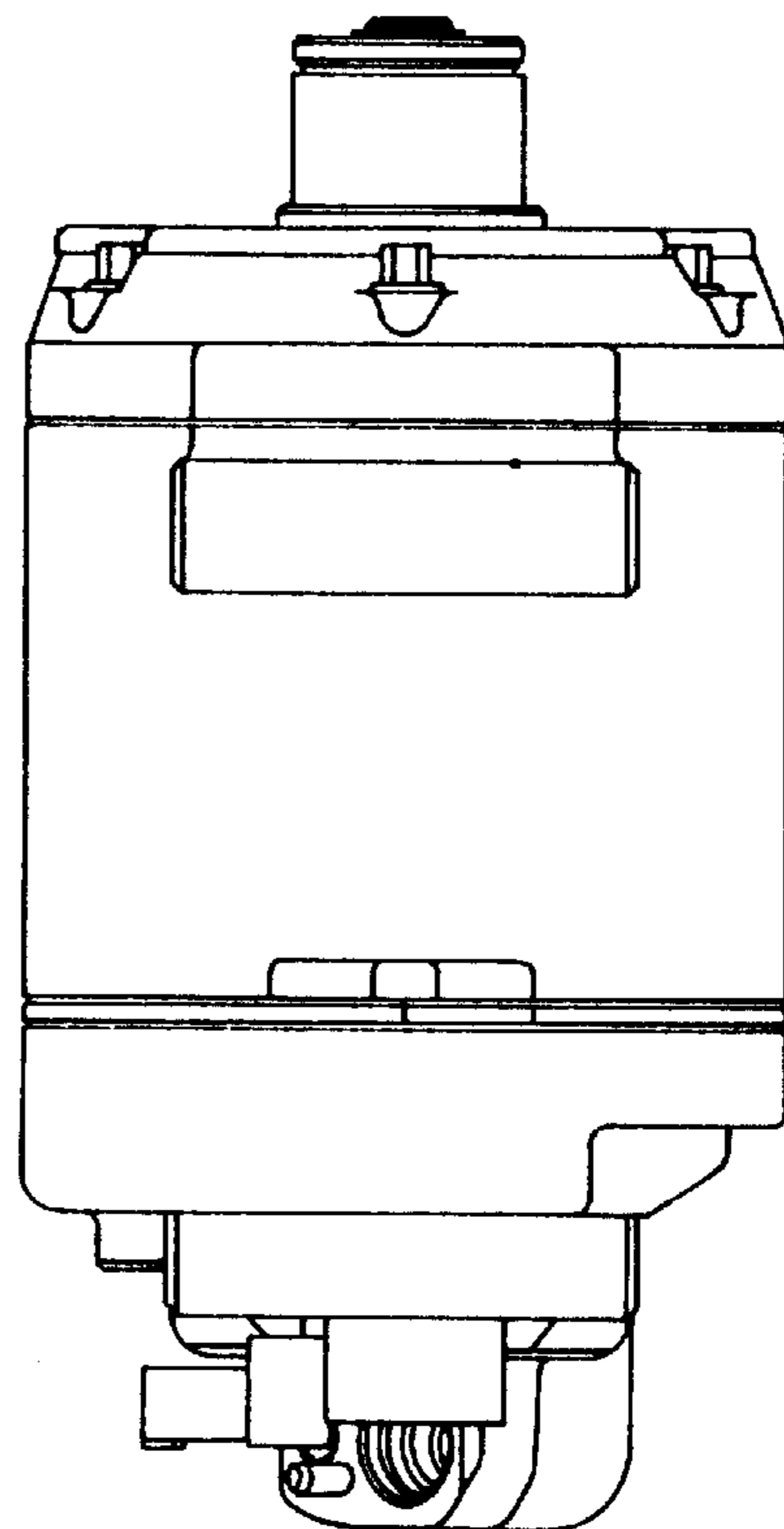


Fig. 13

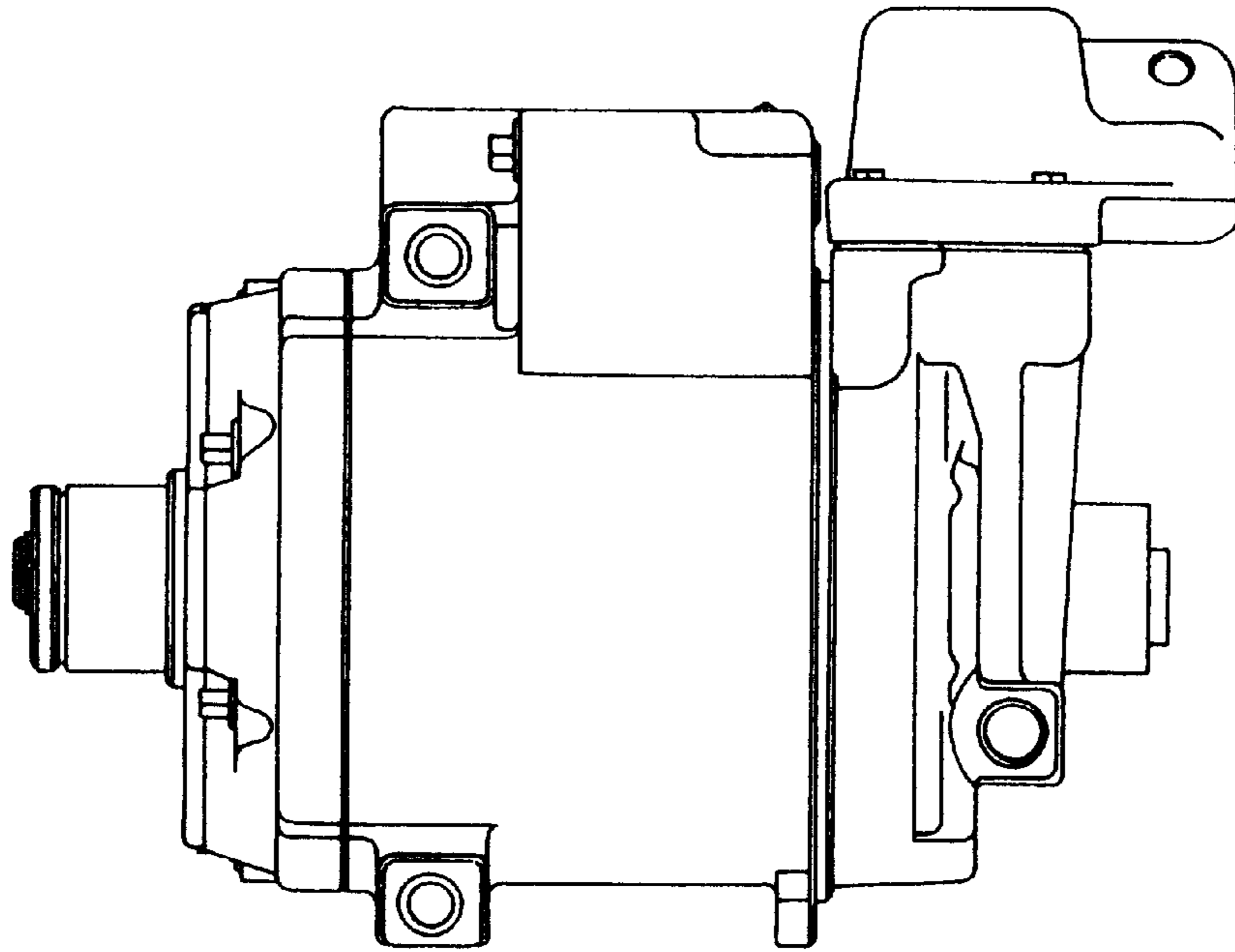


Fig. 14

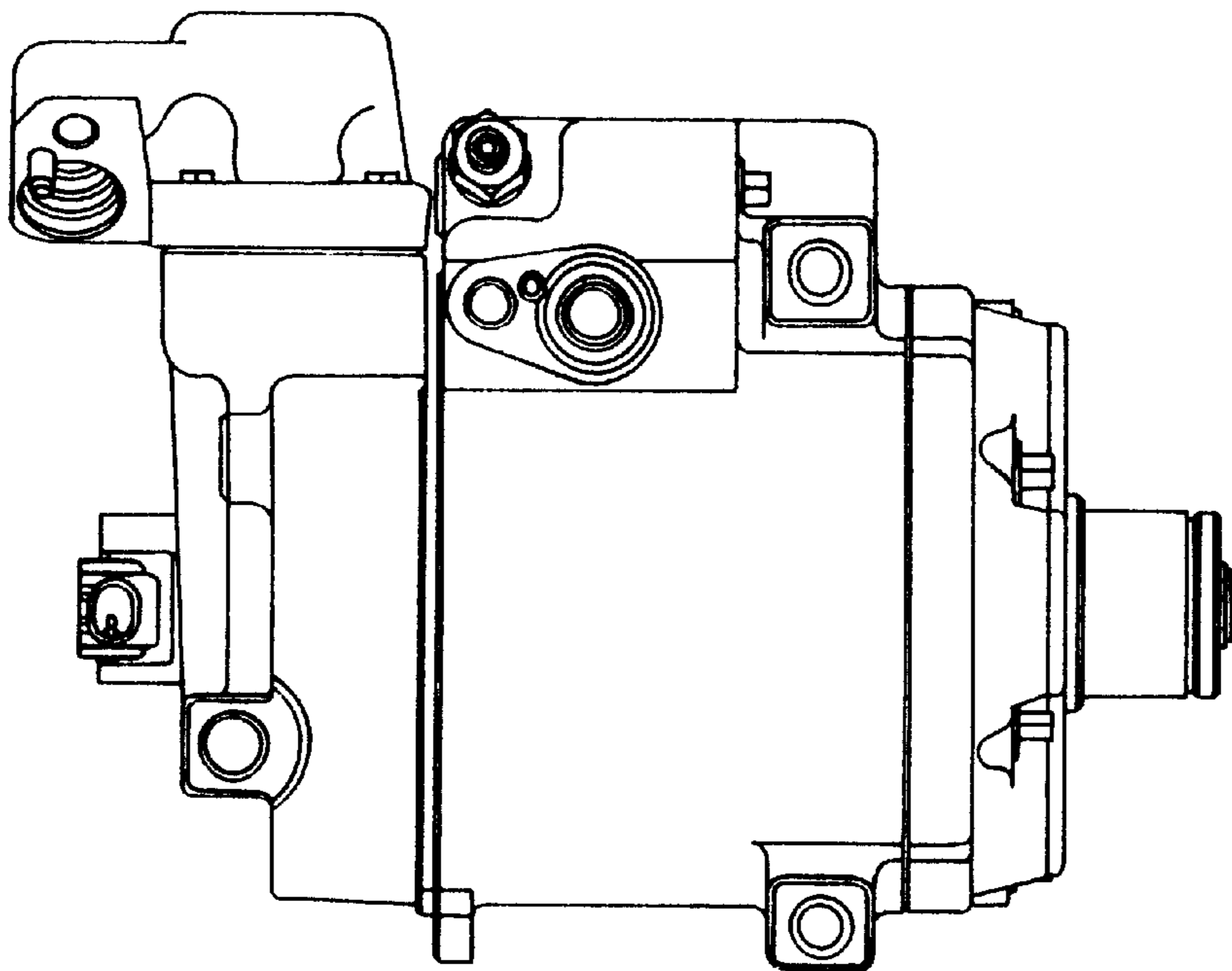


Fig. 15

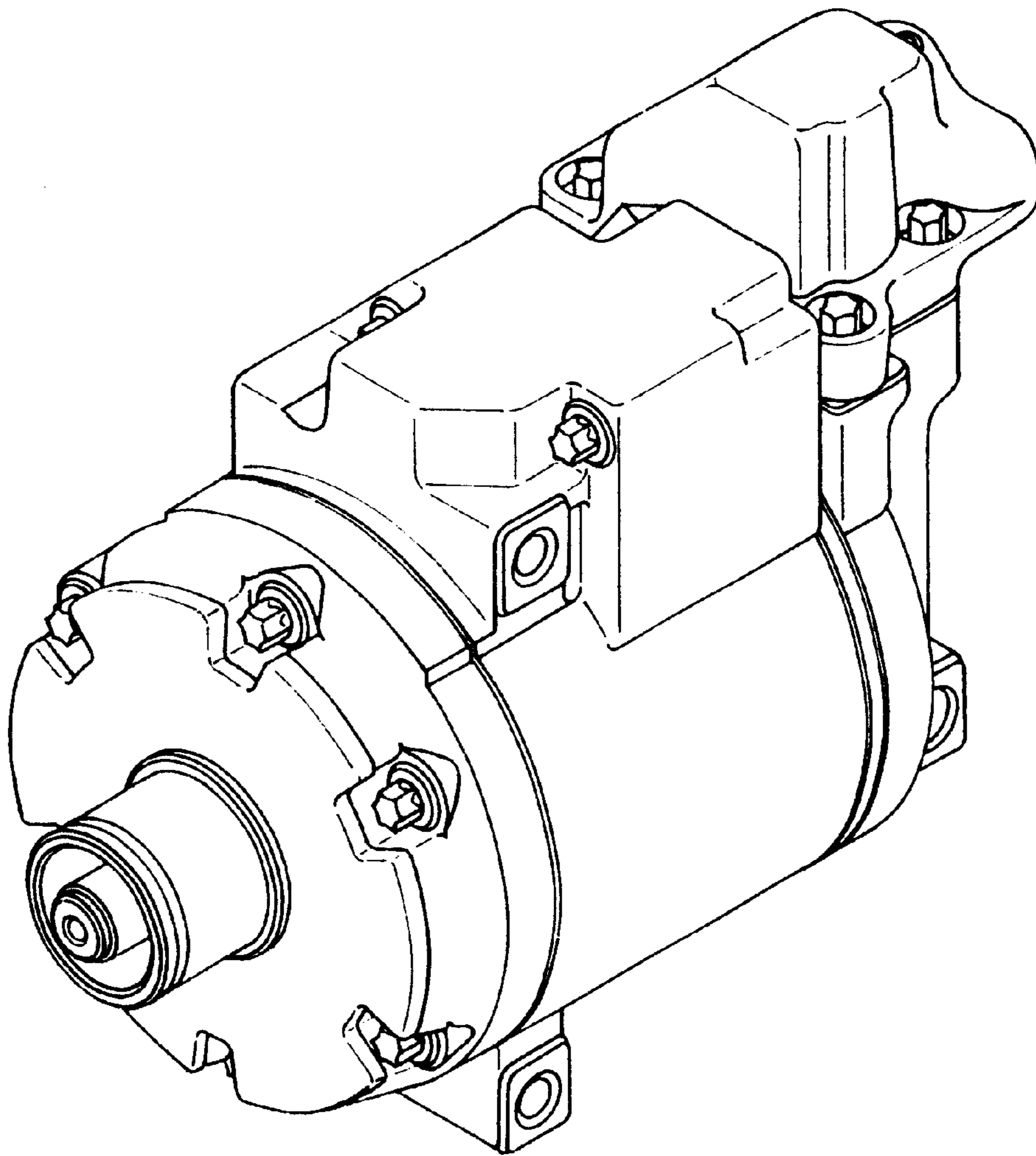


Fig. 16

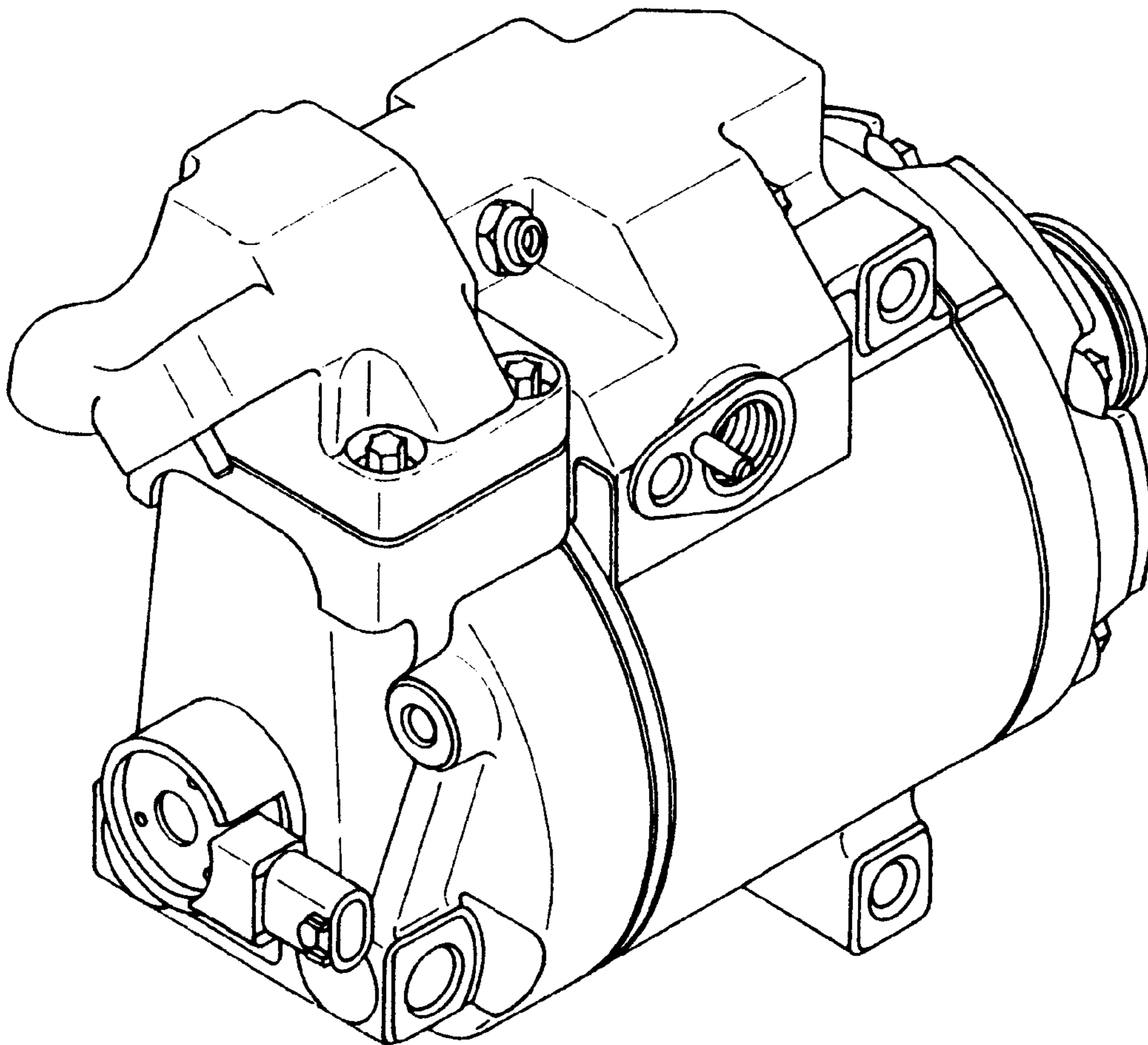


FIG. 17

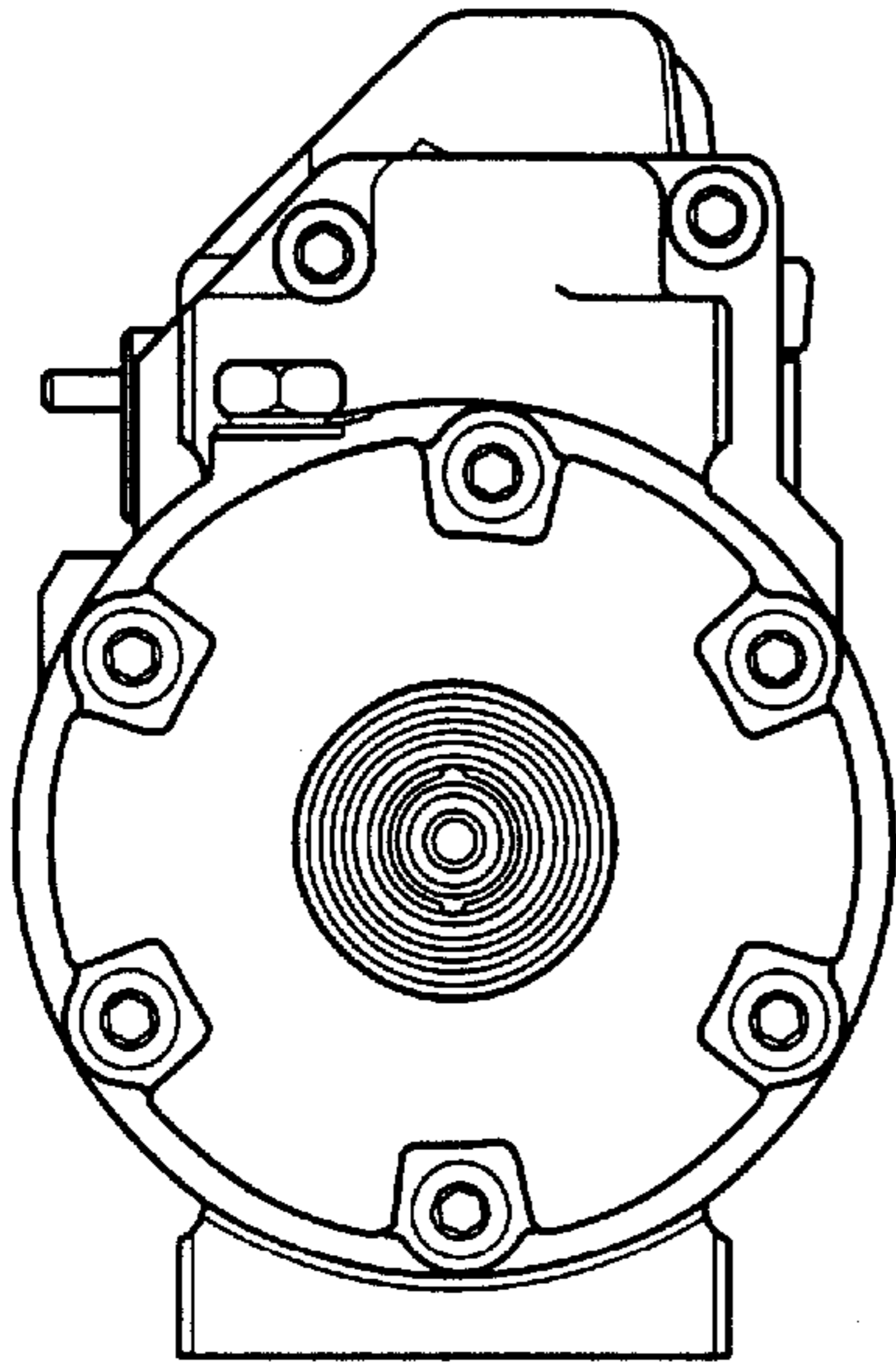


FIG. 18

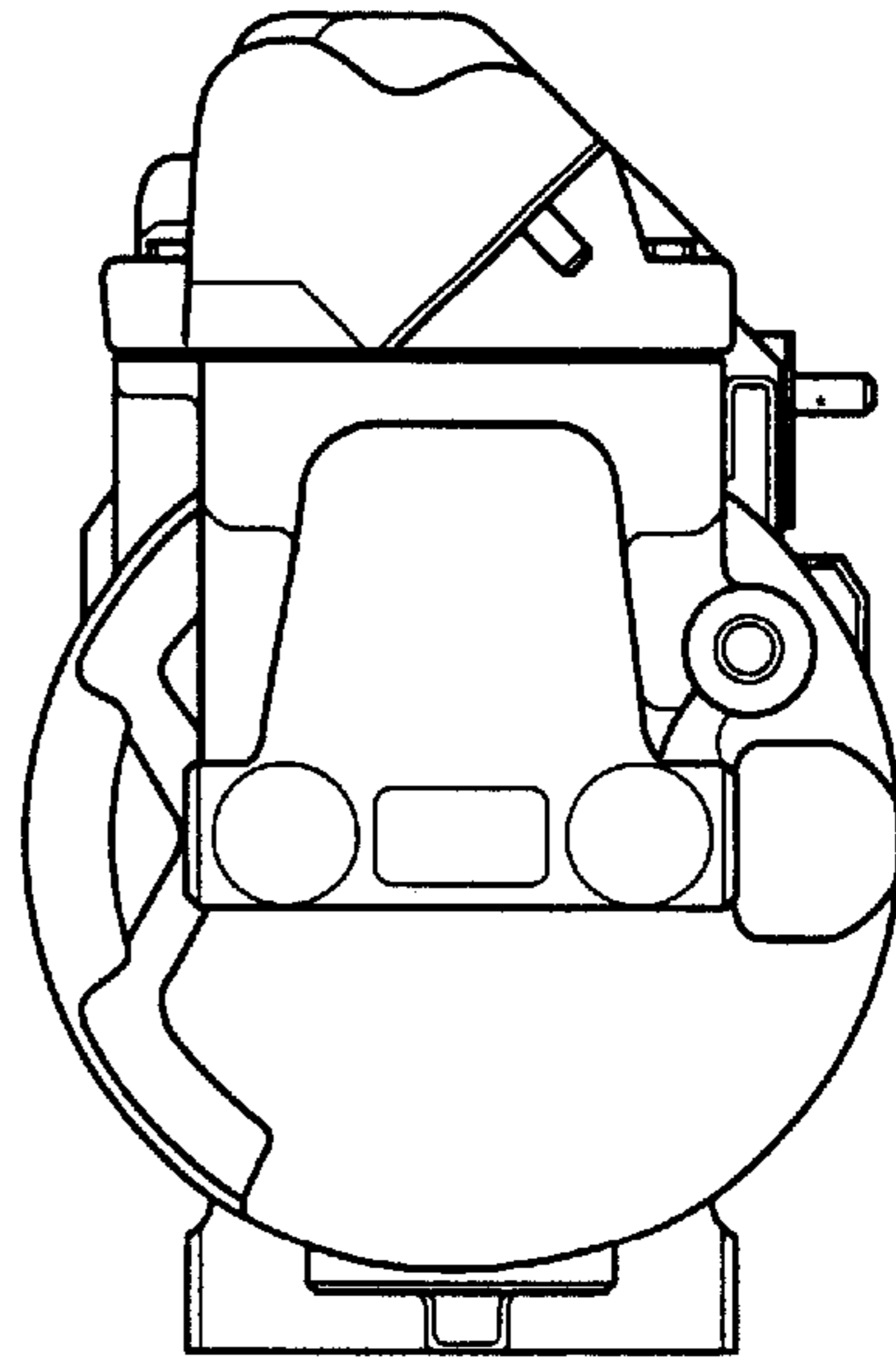


FIG. 19

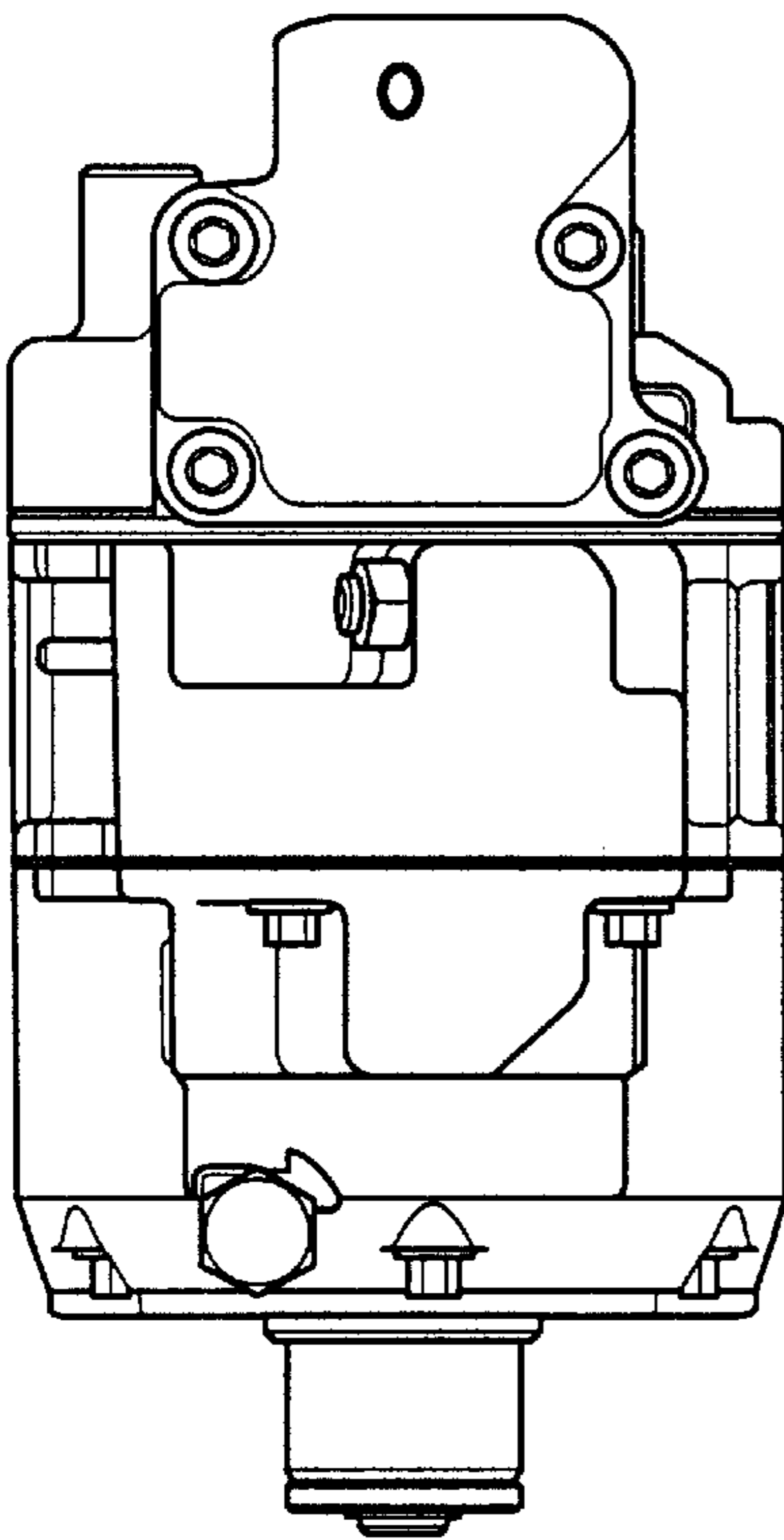


FIG. 20

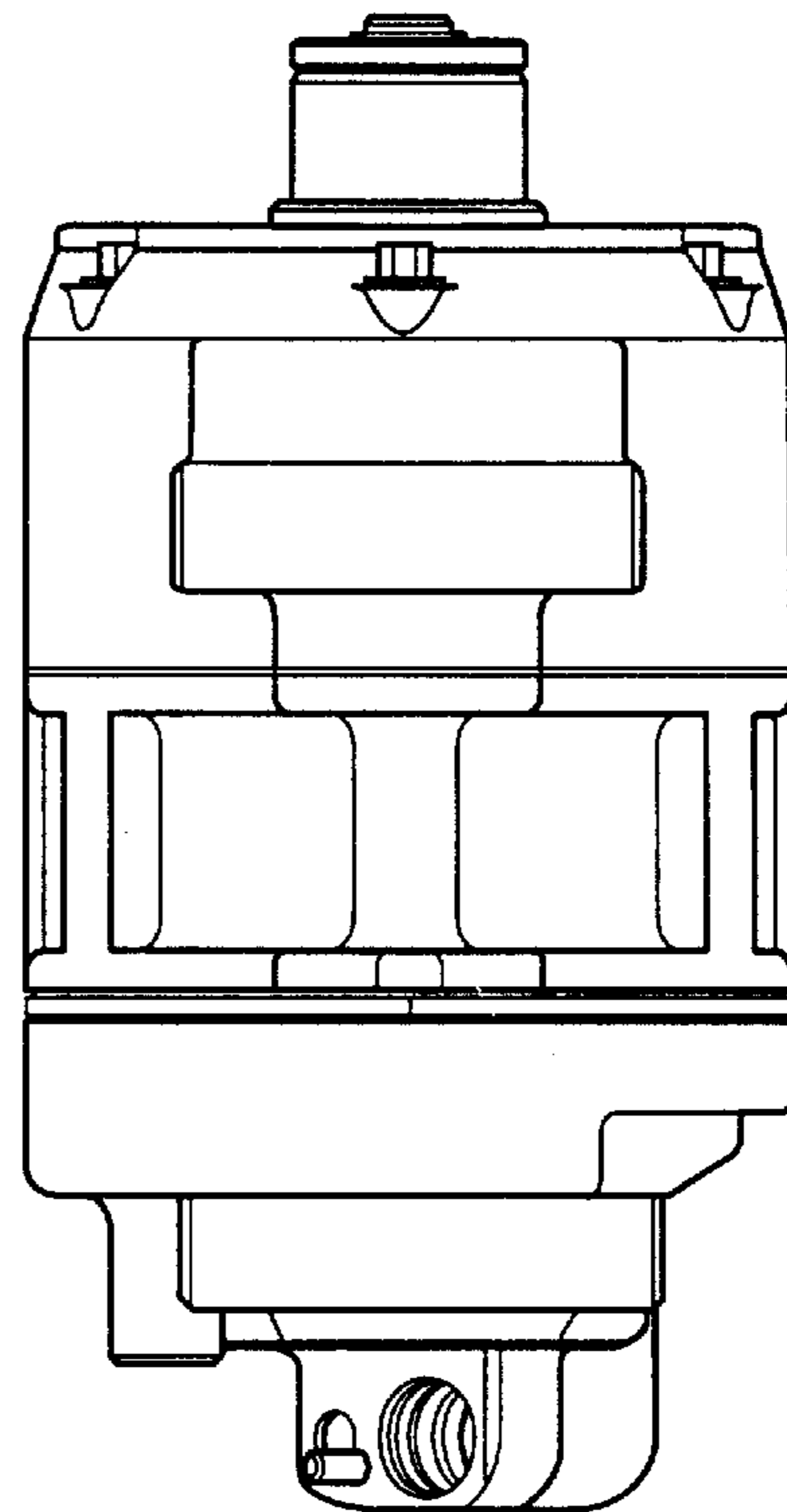


FIG. 21

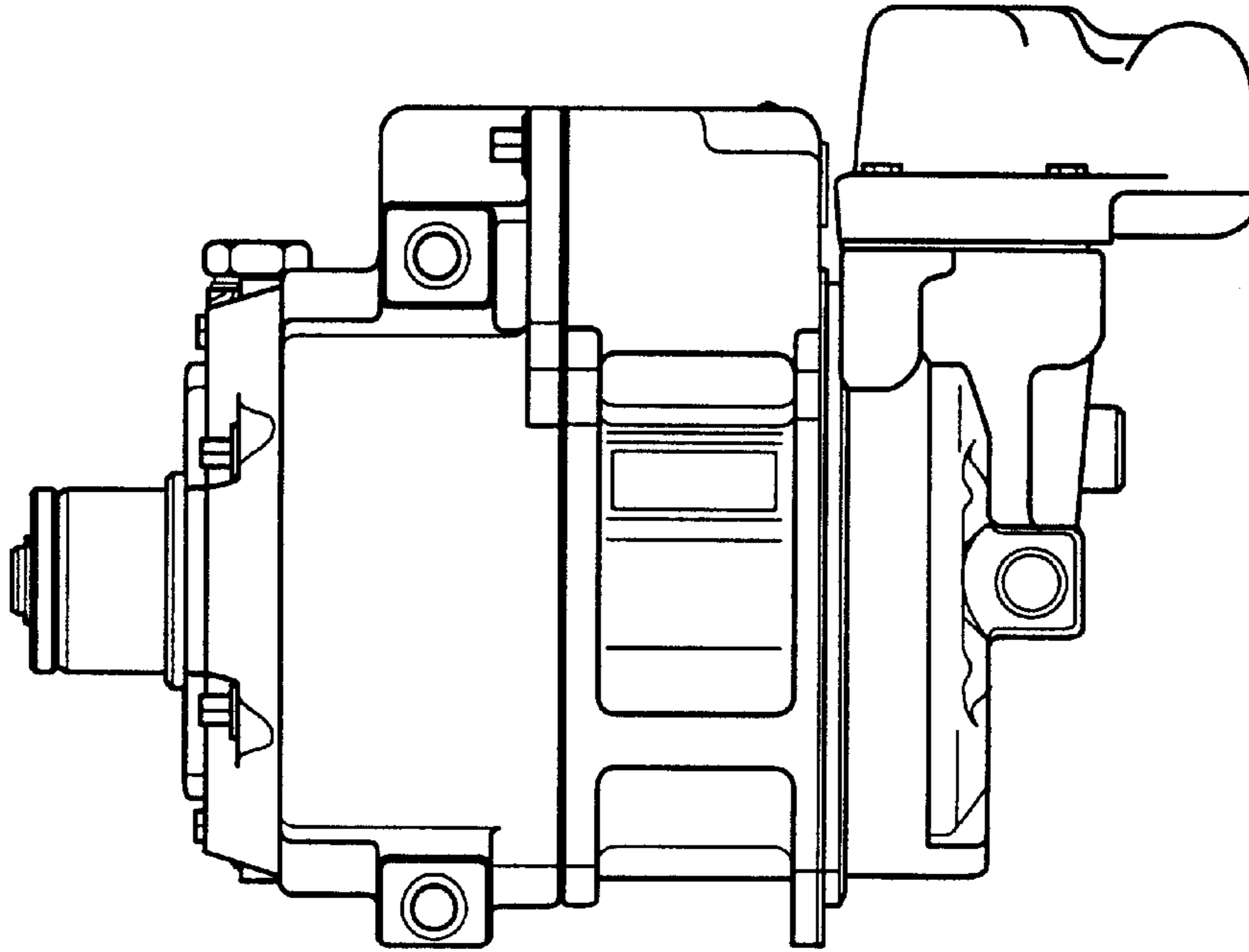


FIG. 22

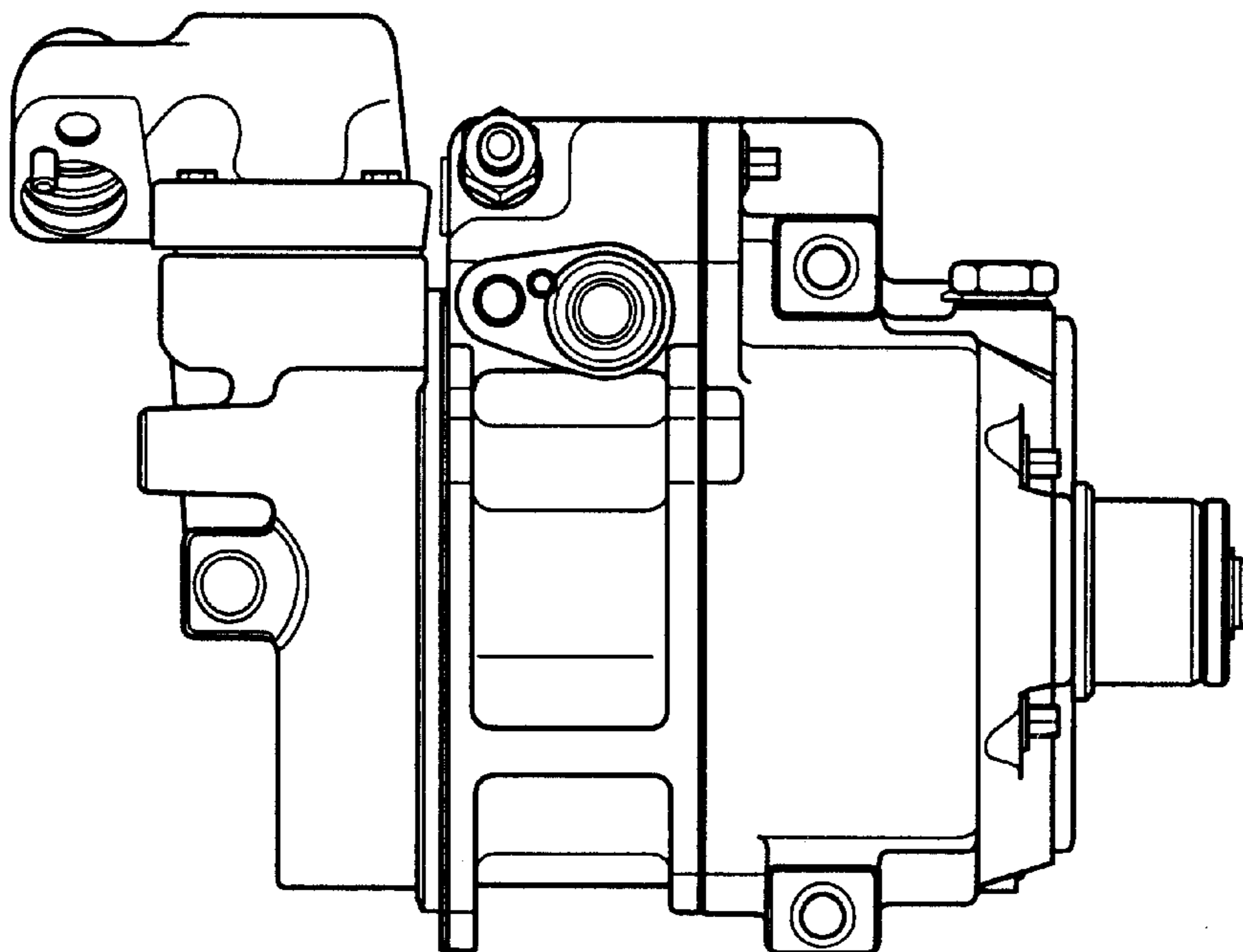


FIG. 23

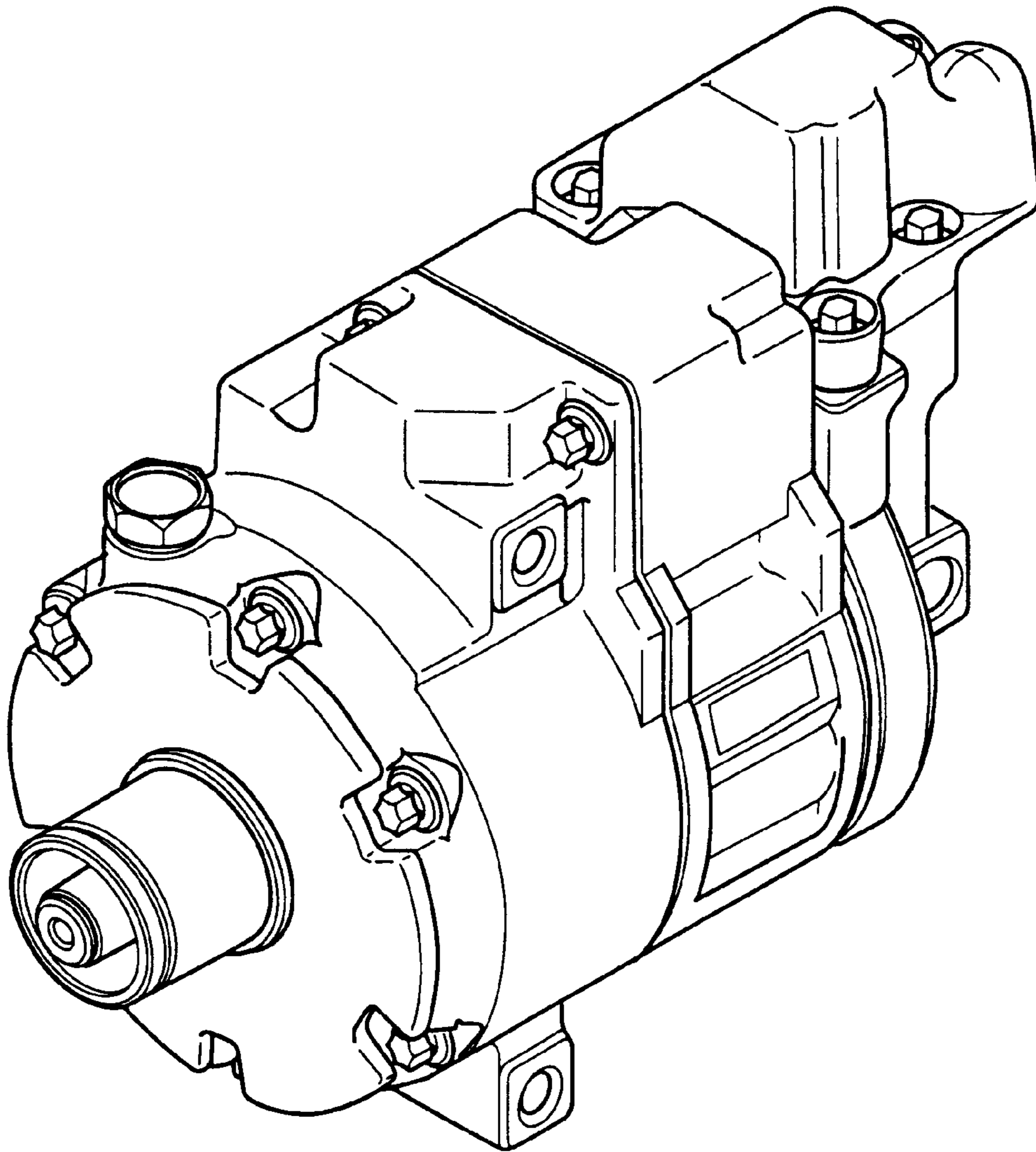


FIG. 24

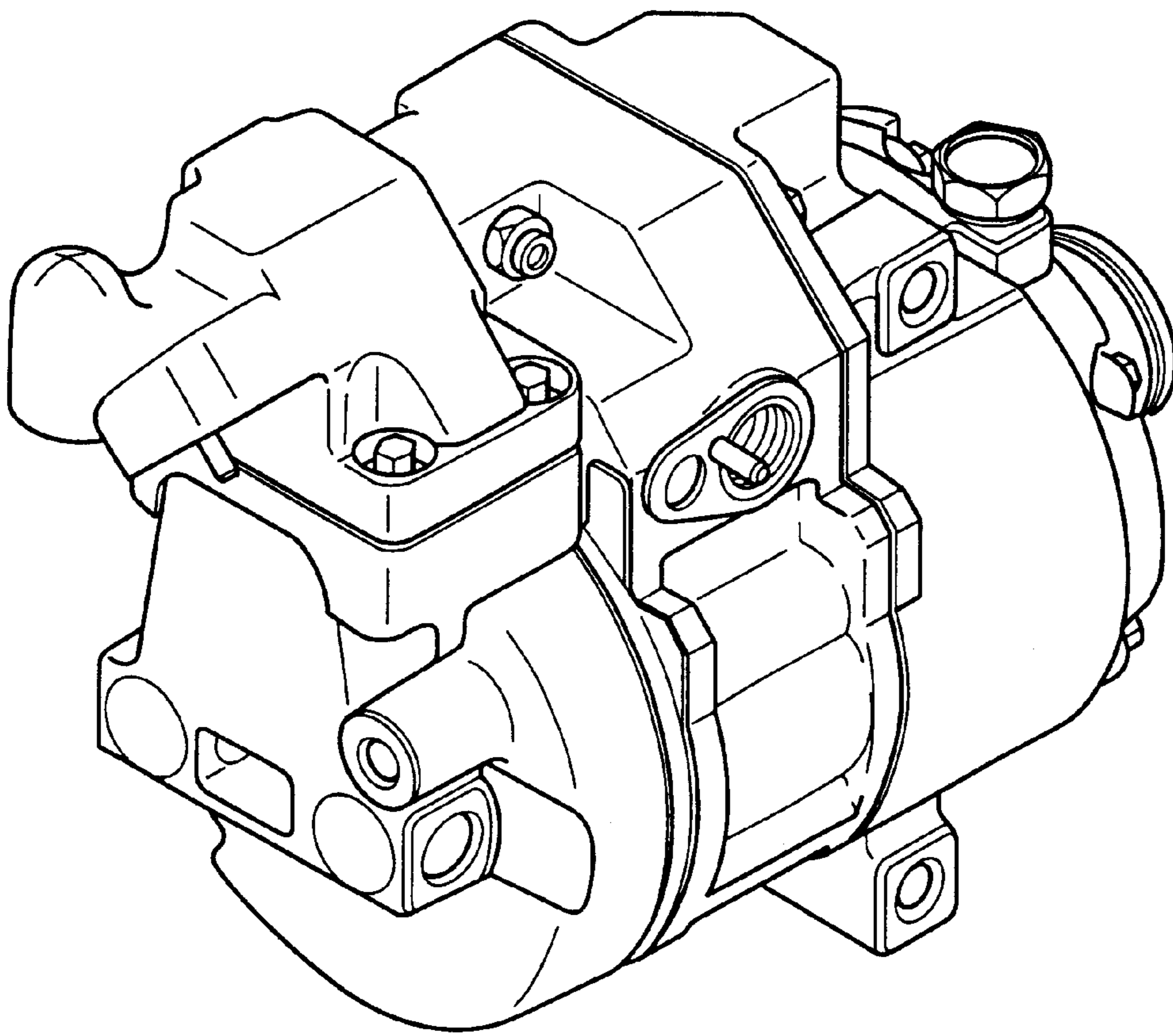


FIG. 25

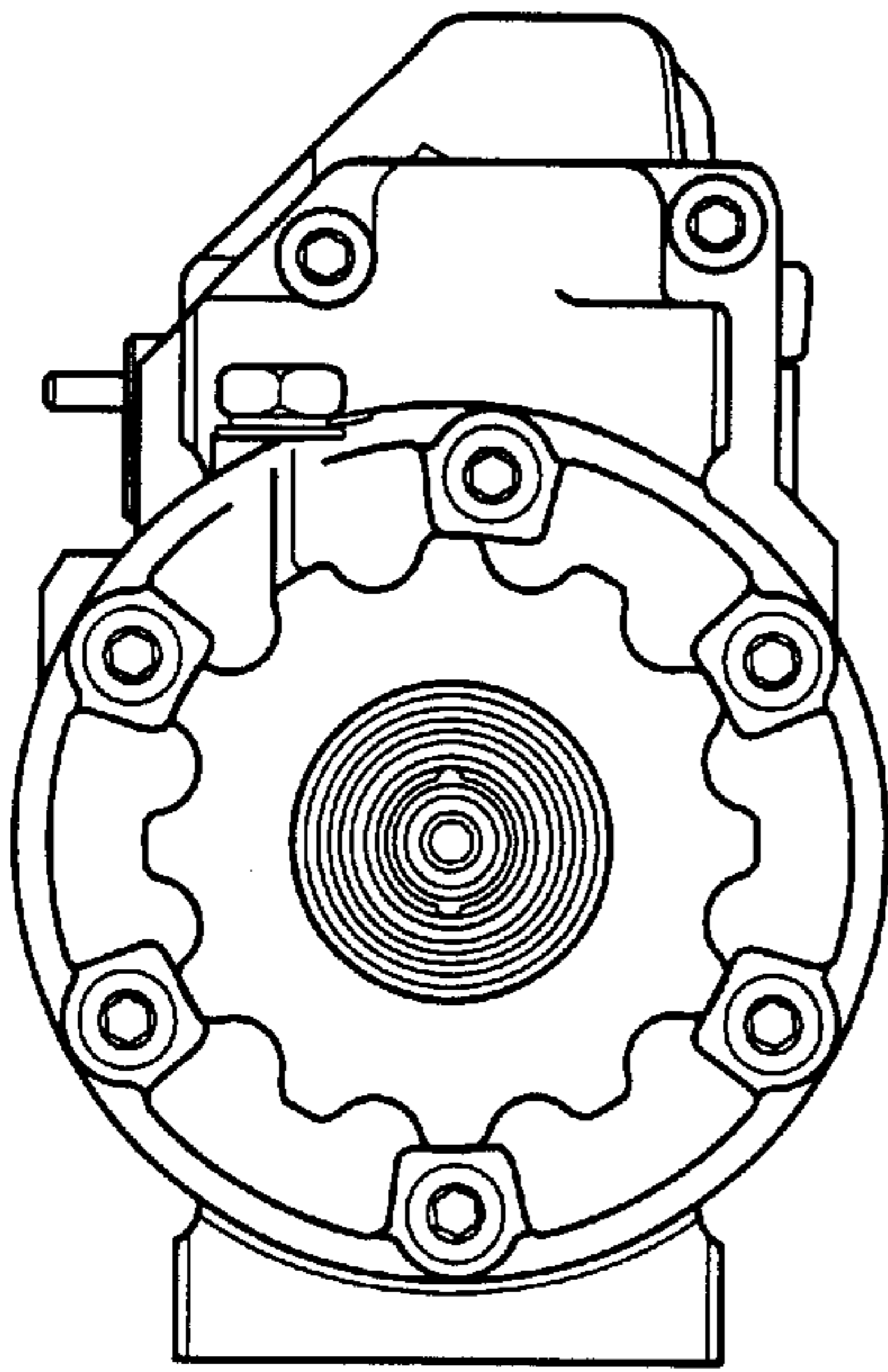


FIG. 26

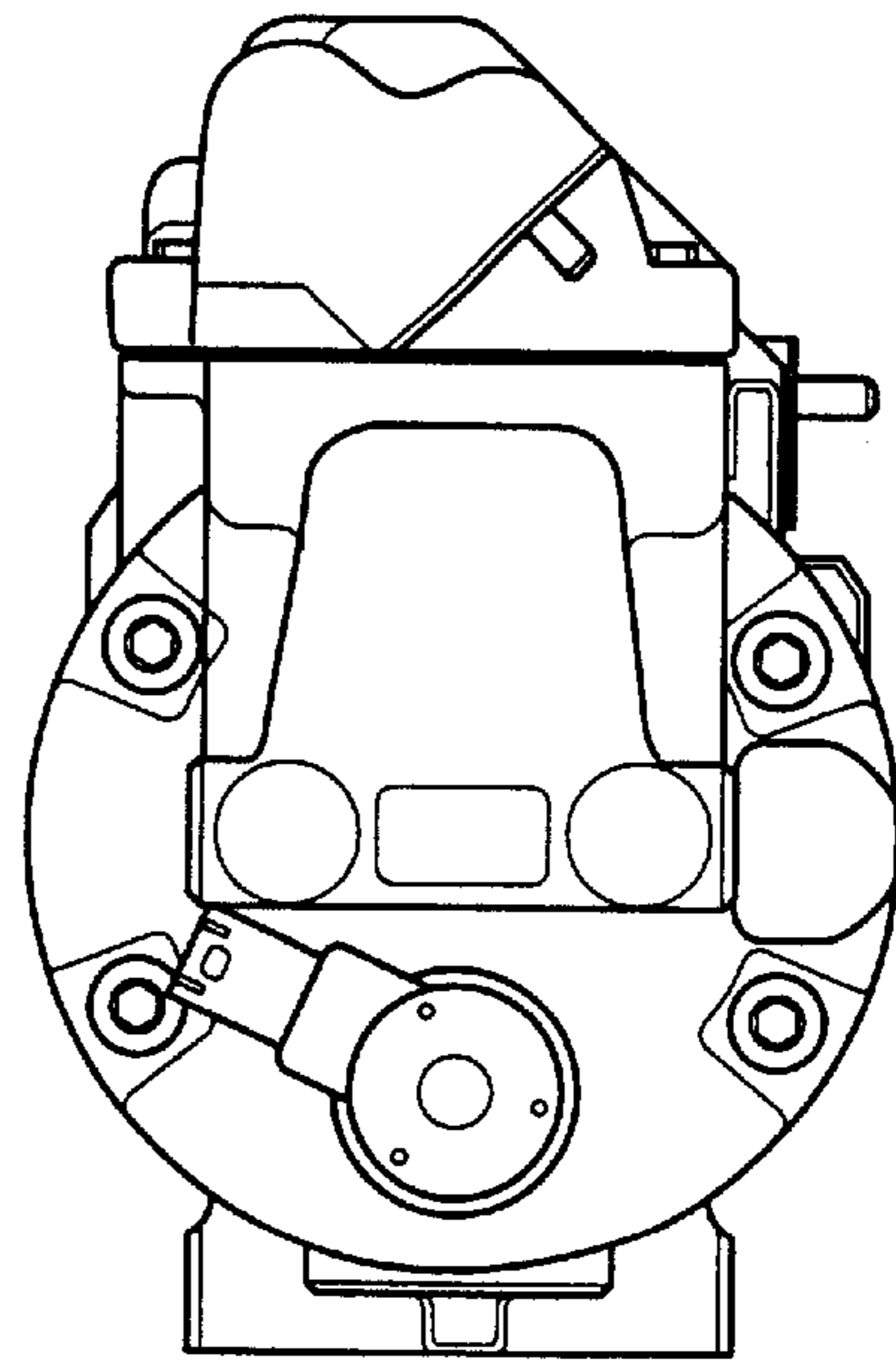


FIG. 27

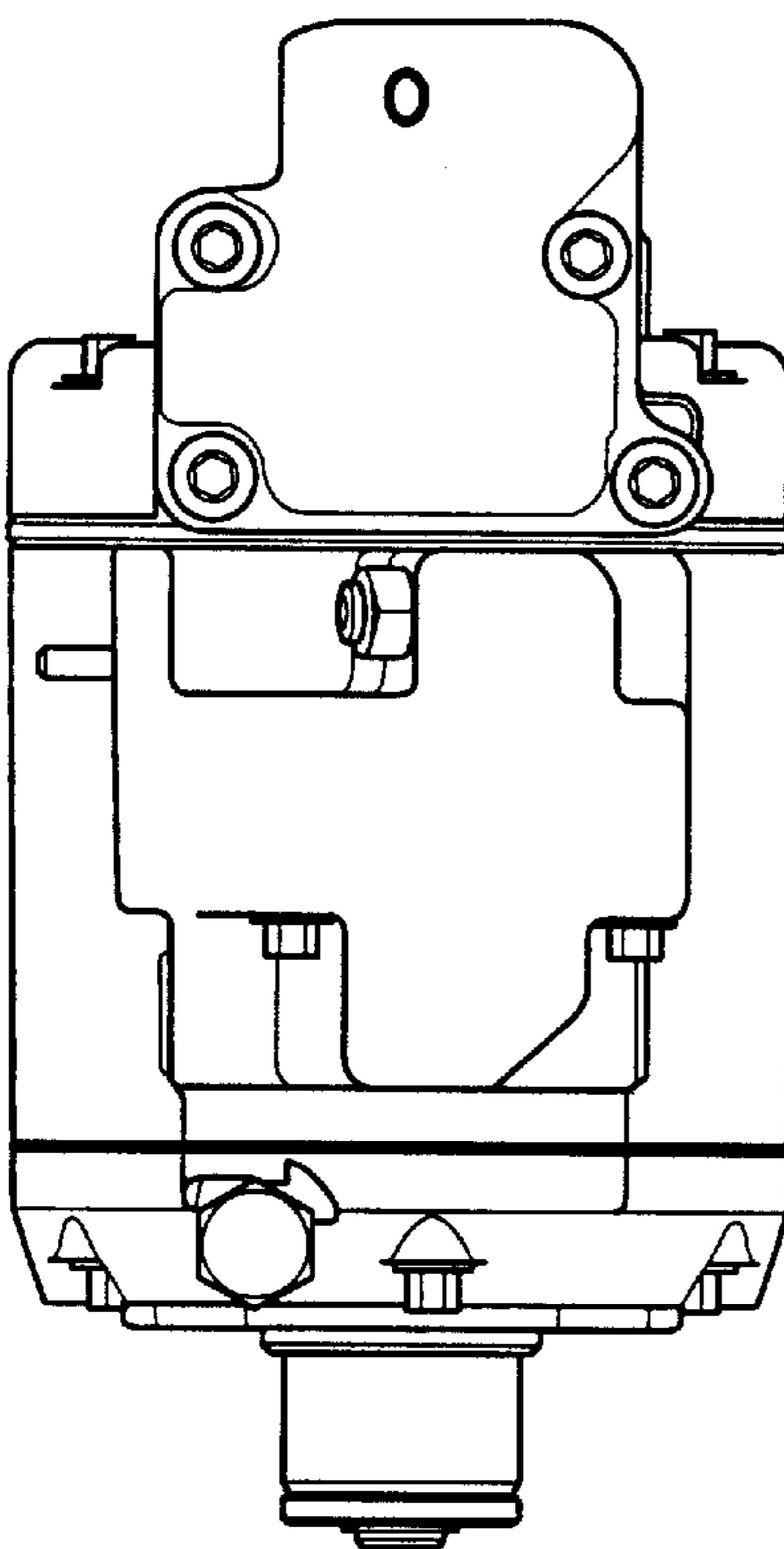


FIG. 28

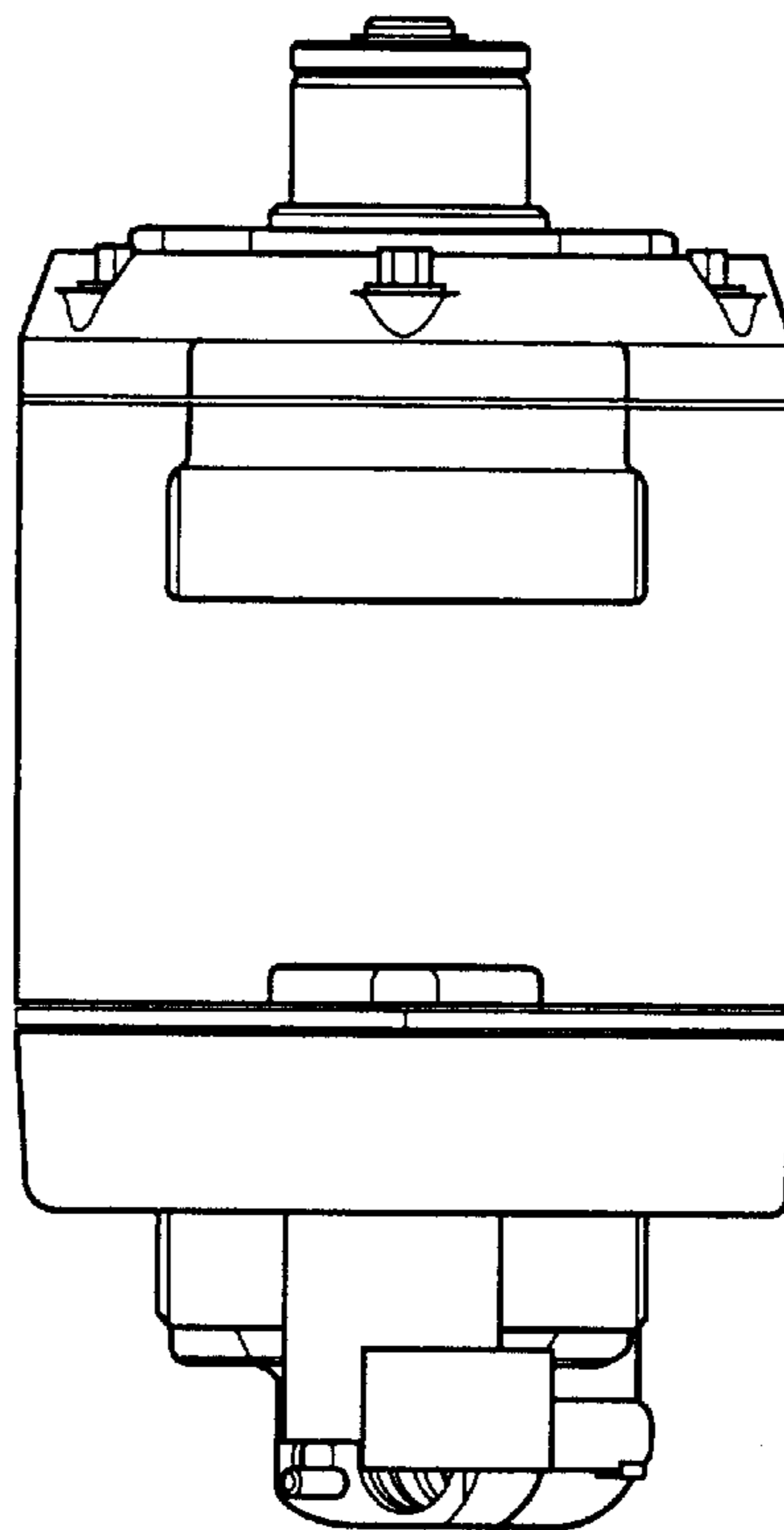


FIG. 29

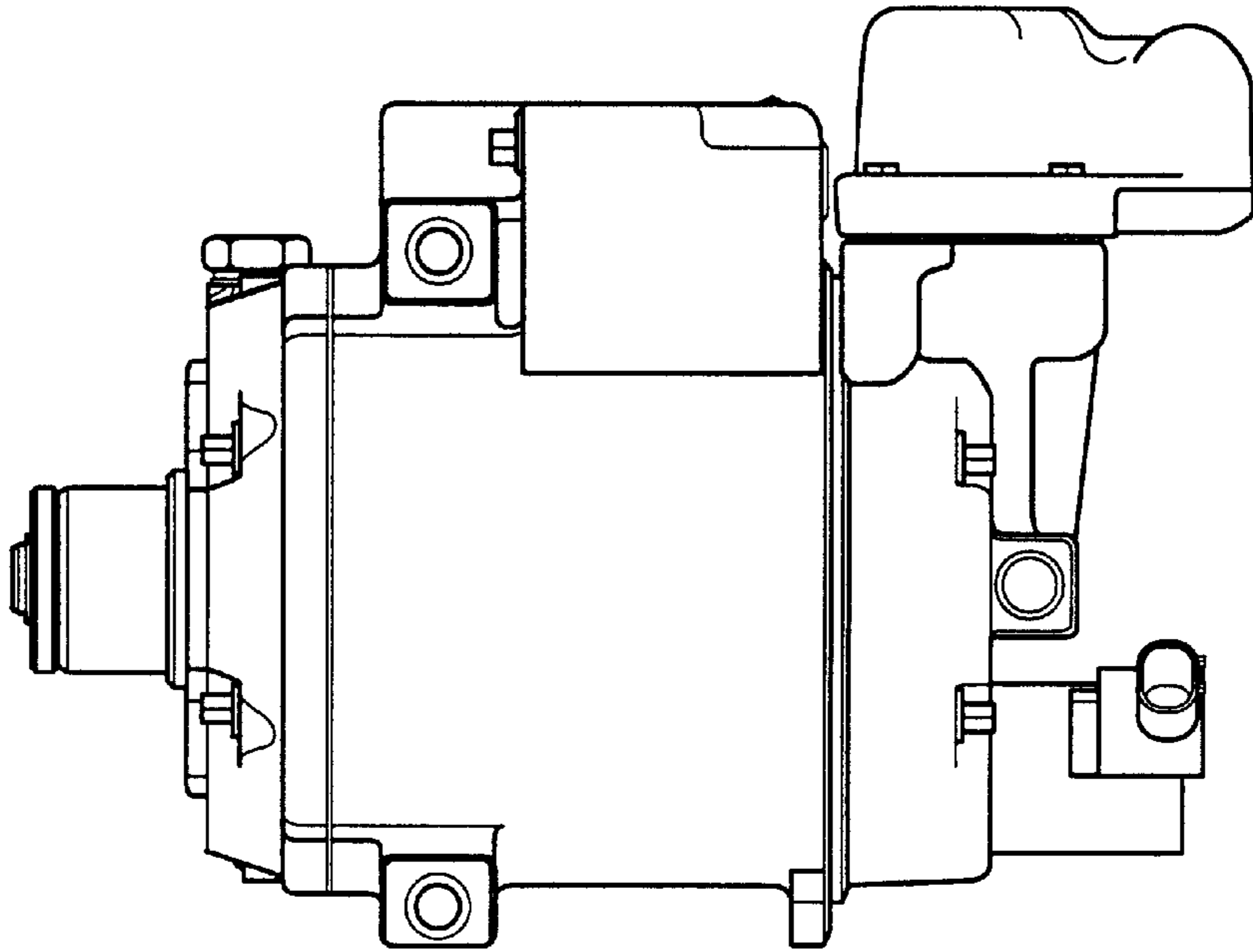


FIG. 30

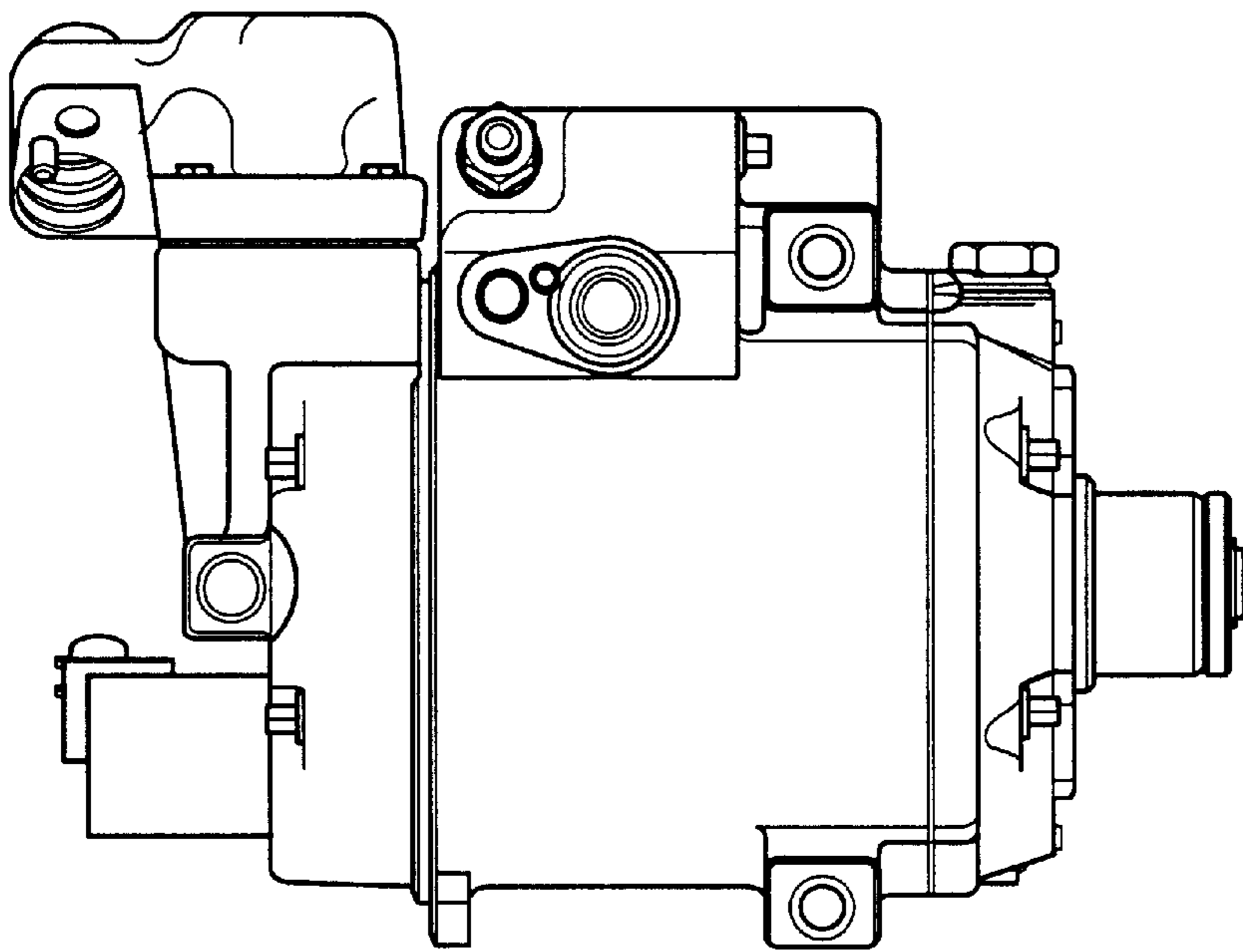


FIG. 31

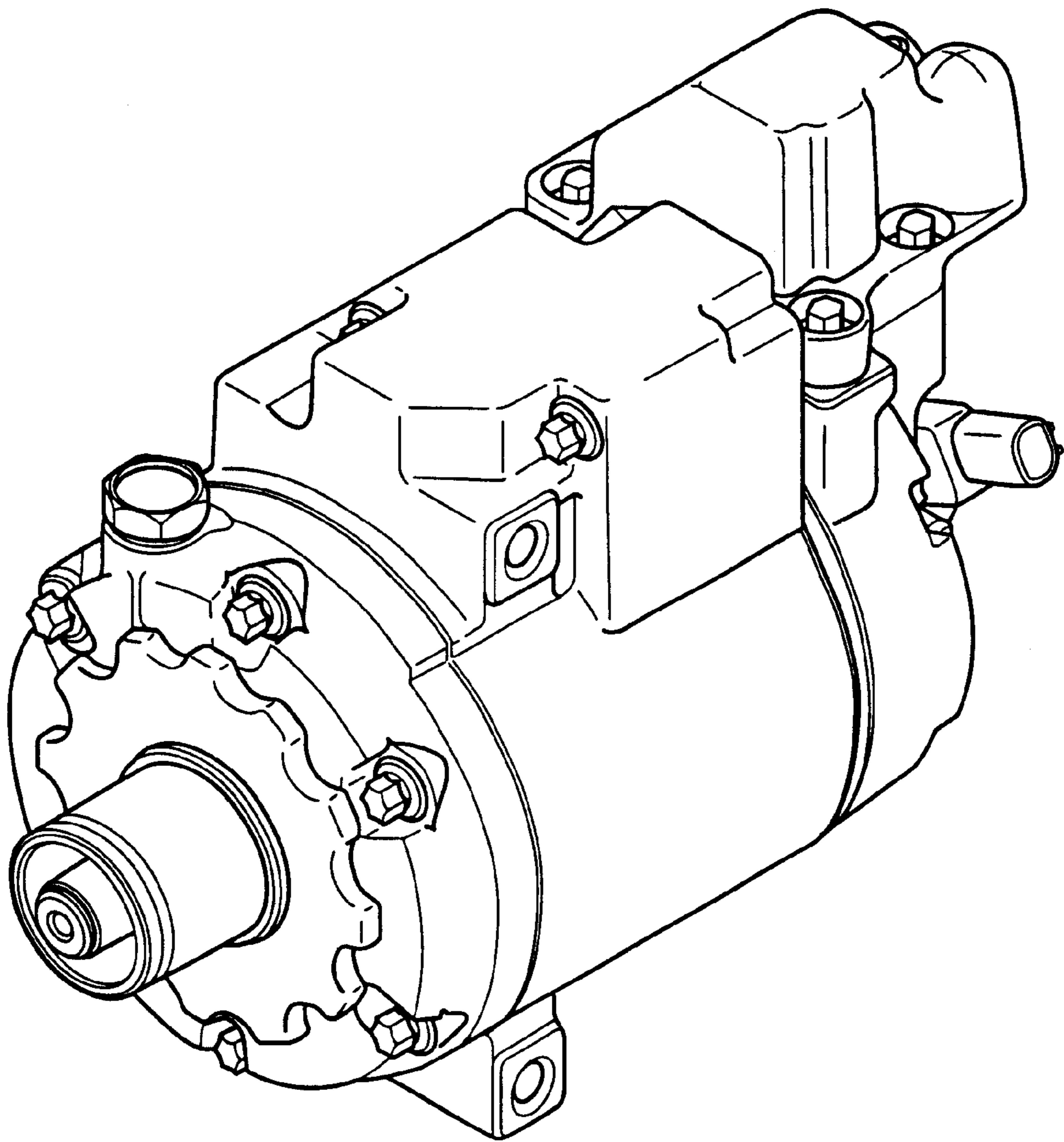


FIG. 32

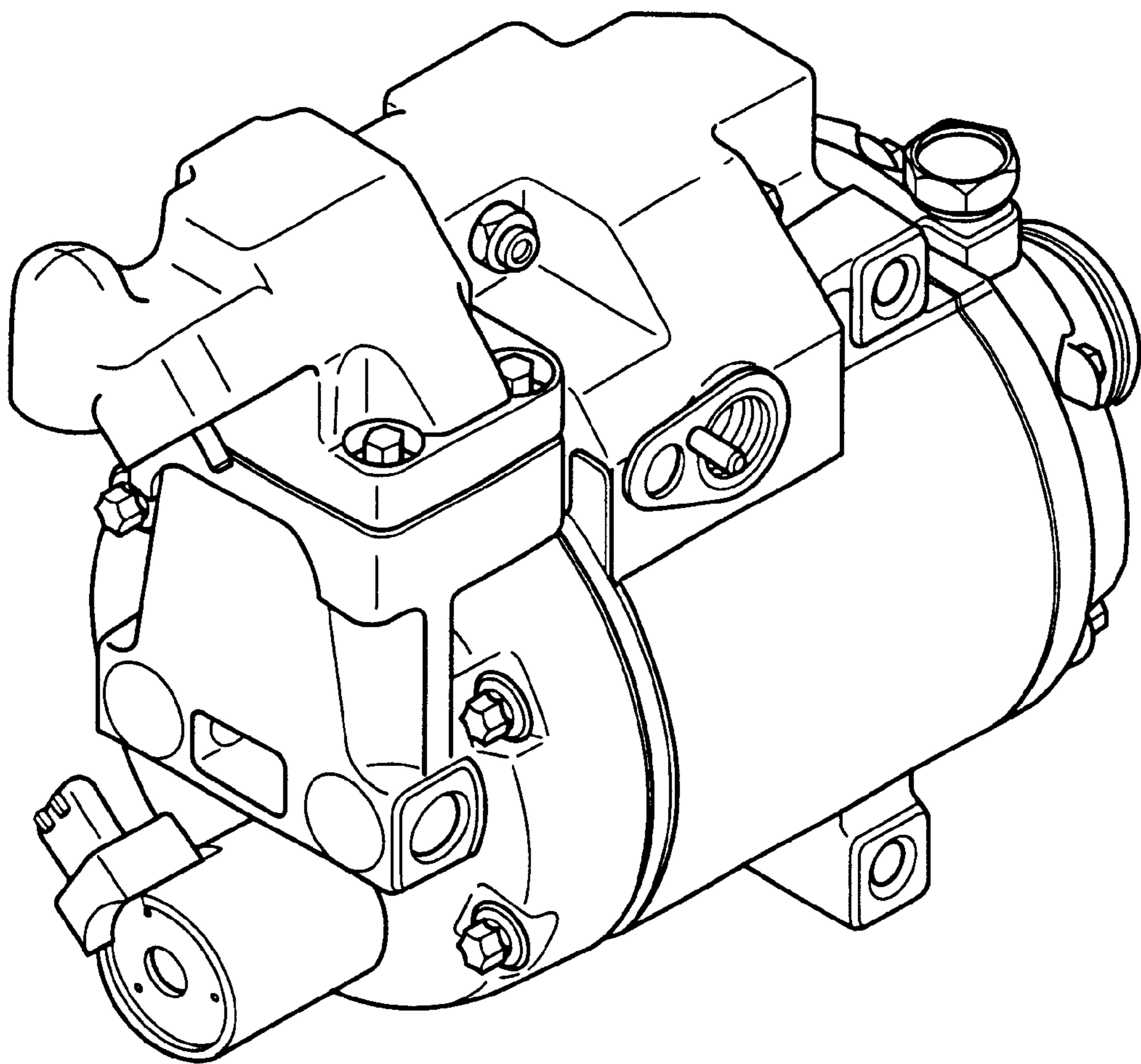


FIG. 33

