



US00D441376S

(12) **United States Design Patent**
Gohil et al.

(10) **Patent No.:** **US D441,376 S**

(45) **Date of Patent:** **** May 1, 2001**

(54) **PUMP HOUSING**

D. 398,011 * 9/1998 Wang D15/9

* cited by examiner

(75) Inventors: **Kishen Gohil**, New Malden; **Anthony J. Lee**, Worcester Park; **Christopher P. Kirk**, Walton-on-Thames, all of (GB)

Primary Examiner—Ralf Seifert

(74) *Attorney, Agent, or Firm*—Akin, Gump, Strauss, Hauer & Feld, LLP

(73) Assignee: **Pet Mate Limited**, Hersham (GB)

(57) **CLAIM**

(**) Term: **14 Years**

The ornamental design for a pump housing, as shown and described.

(21) Appl. No.: **29/117,663**

DESCRIPTION

(22) Filed: **Jan. 27, 2000**

(30) **Foreign Application Priority Data**

Jul. 30, 1999 (GB) 2085457

FIG. 1 is a perspective view of the pump housing of our invention;

(51) **LOC (7) Cl.** **15-02**

FIG. 2 is a front elevation of the pump housing shown in FIG. 1;

(52) **U.S. Cl.** **D15/7**

FIG. 3 is a rear elevation of the pump housing shown in FIG. 1;

(58) **Field of Search** D15/7-9.2; 417/234, 417/360, 410.1-411, 229, 321, 265, 415; 340/321

FIG. 4 is a right side elevation of the pump housing shown in FIG. 1;

FIG. 5 is a left side elevation of the pump housing shown in FIG. 1; and,

(56) **References Cited**

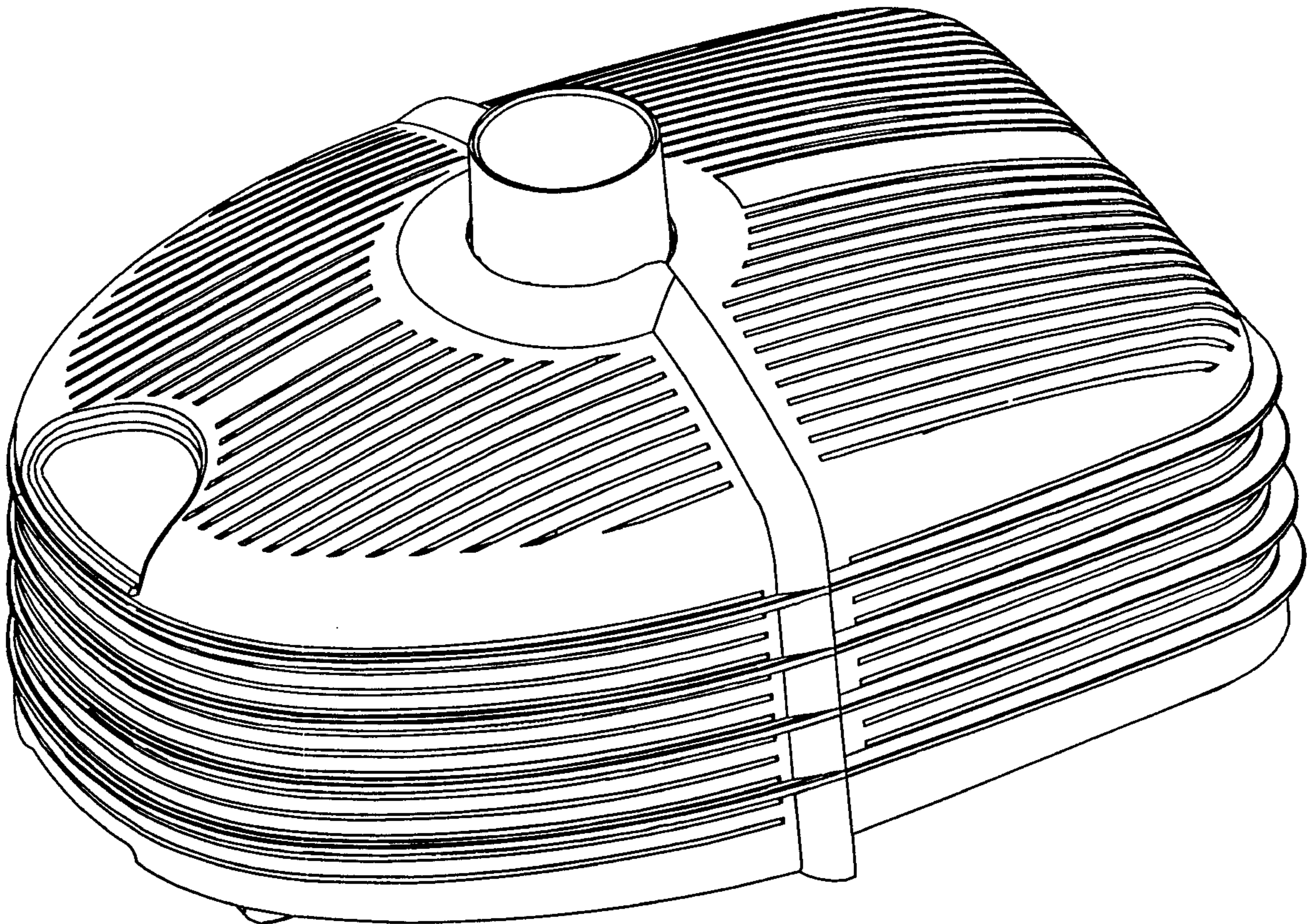
U.S. PATENT DOCUMENTS

- D. 289,051 * 3/1987 Belletire D15/7
- D. 306,447 * 3/1990 Whitley, II D15/7
- D. 352,295 * 11/1994 Morgan D15/9

FIG. 6 is a top plan view of the pump housing shown in FIG. 1.

The bottom of the pump housing shown in FIG. 1 is unadorned.

1 Claim, 6 Drawing Sheets



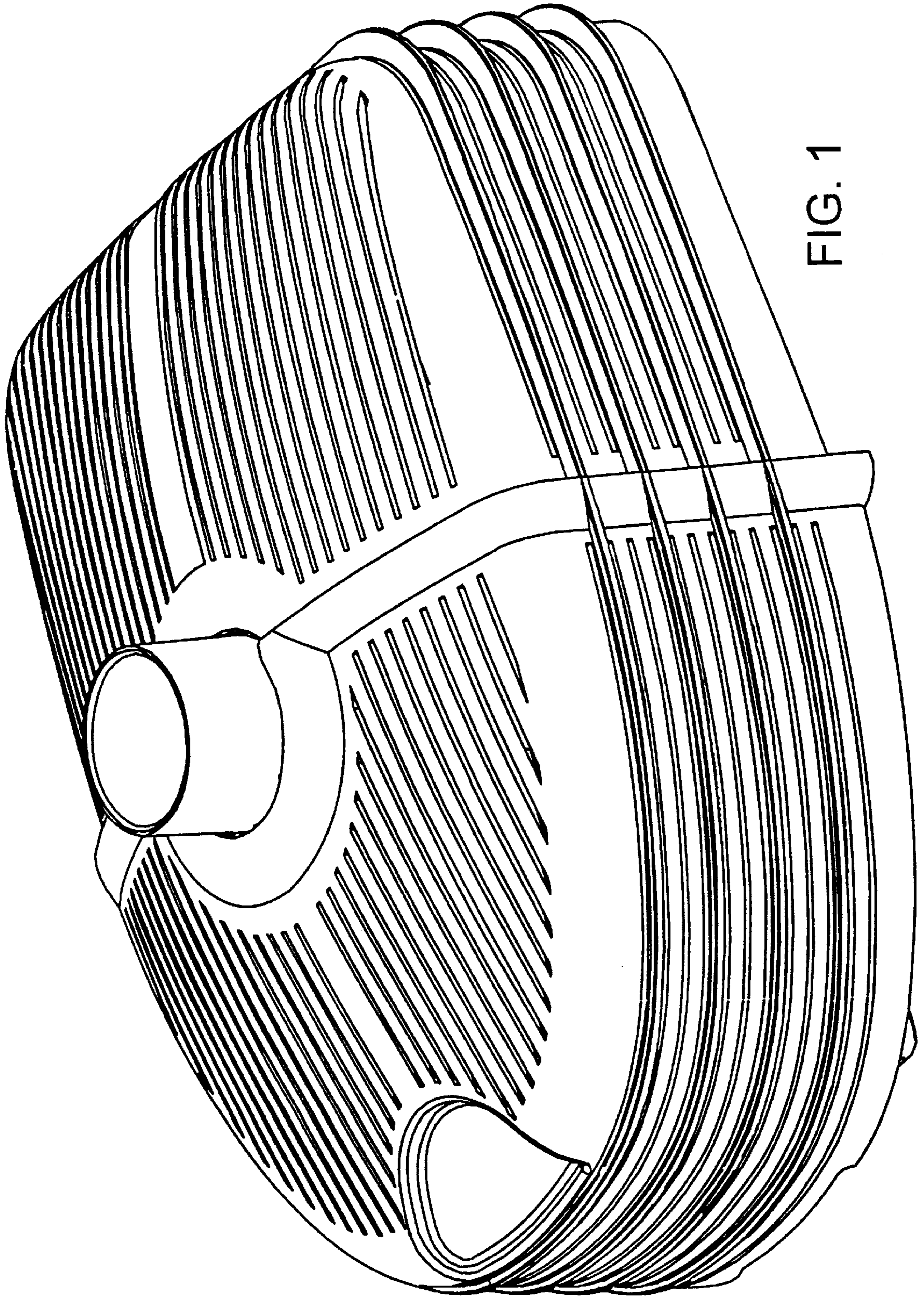


FIG. 1

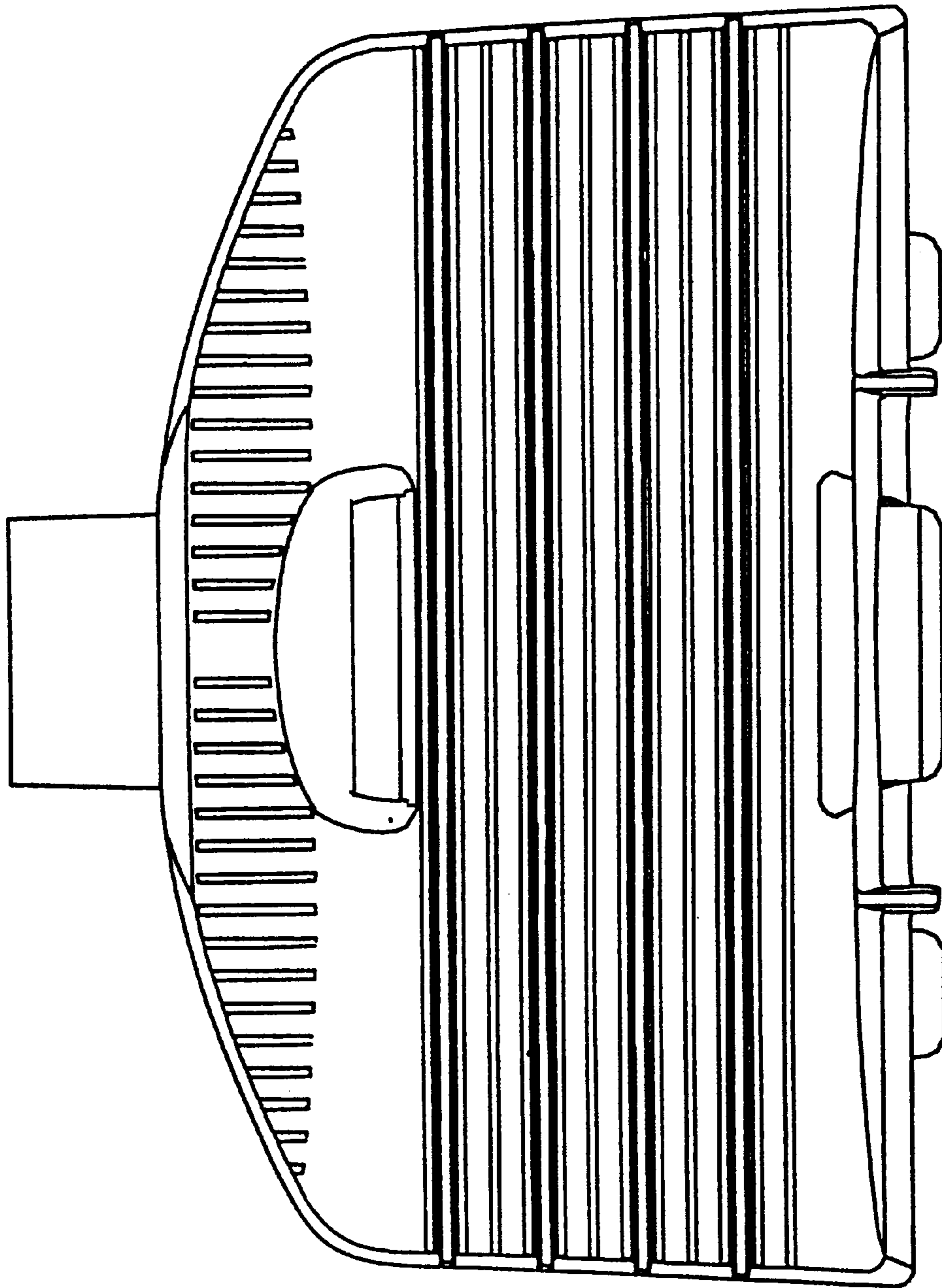


FIG. 2

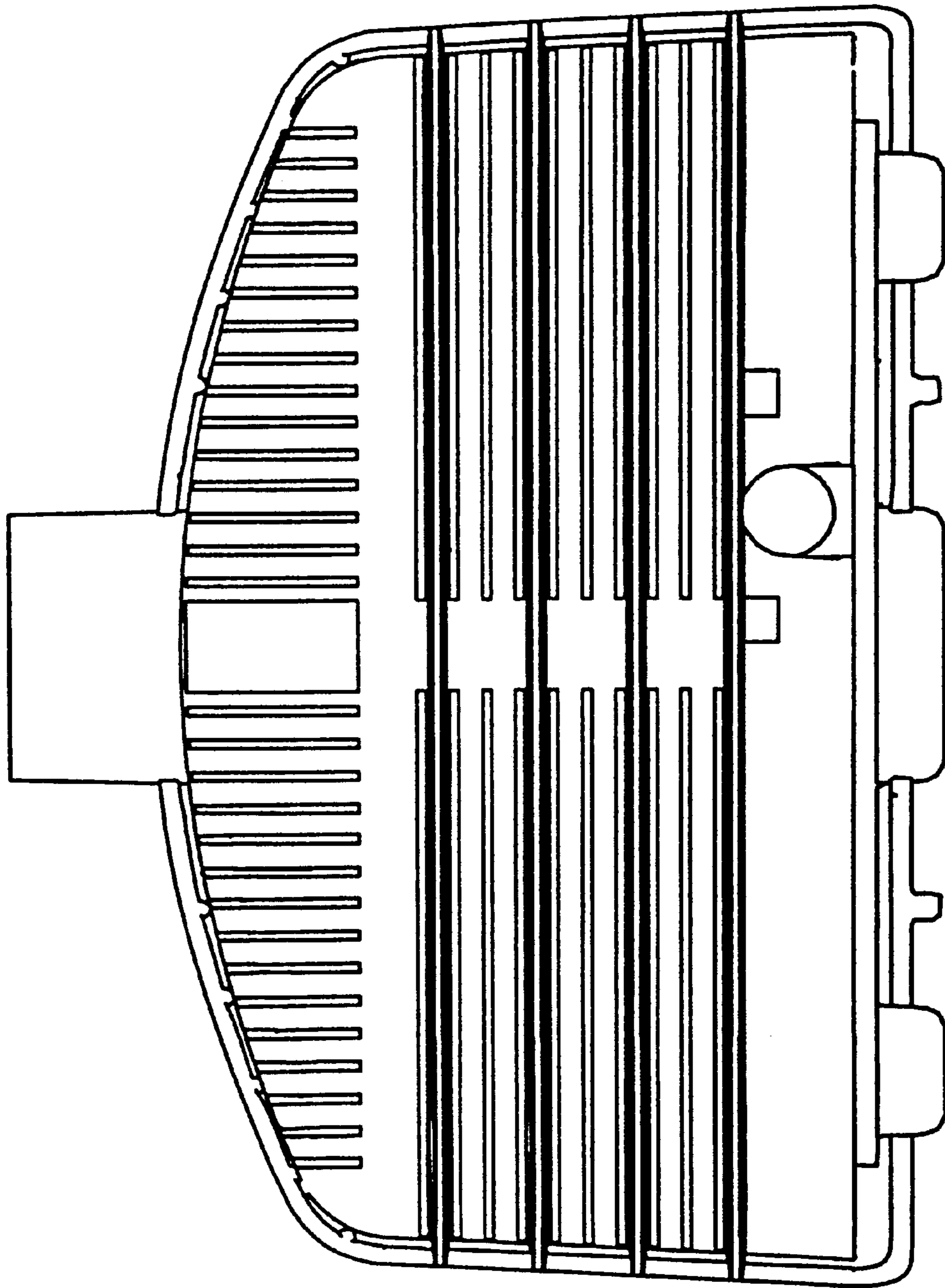


FIG. 3

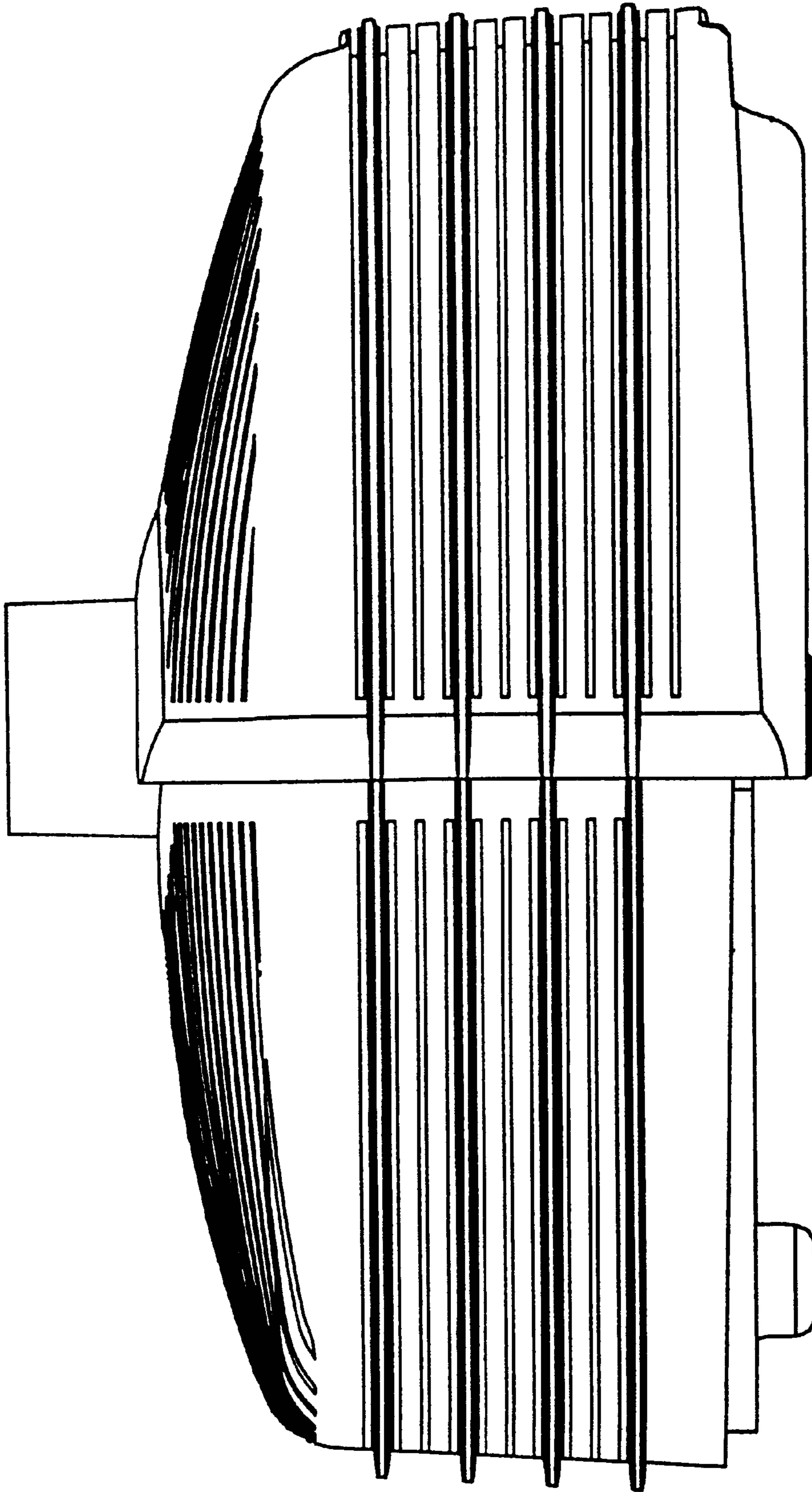


FIG. 4

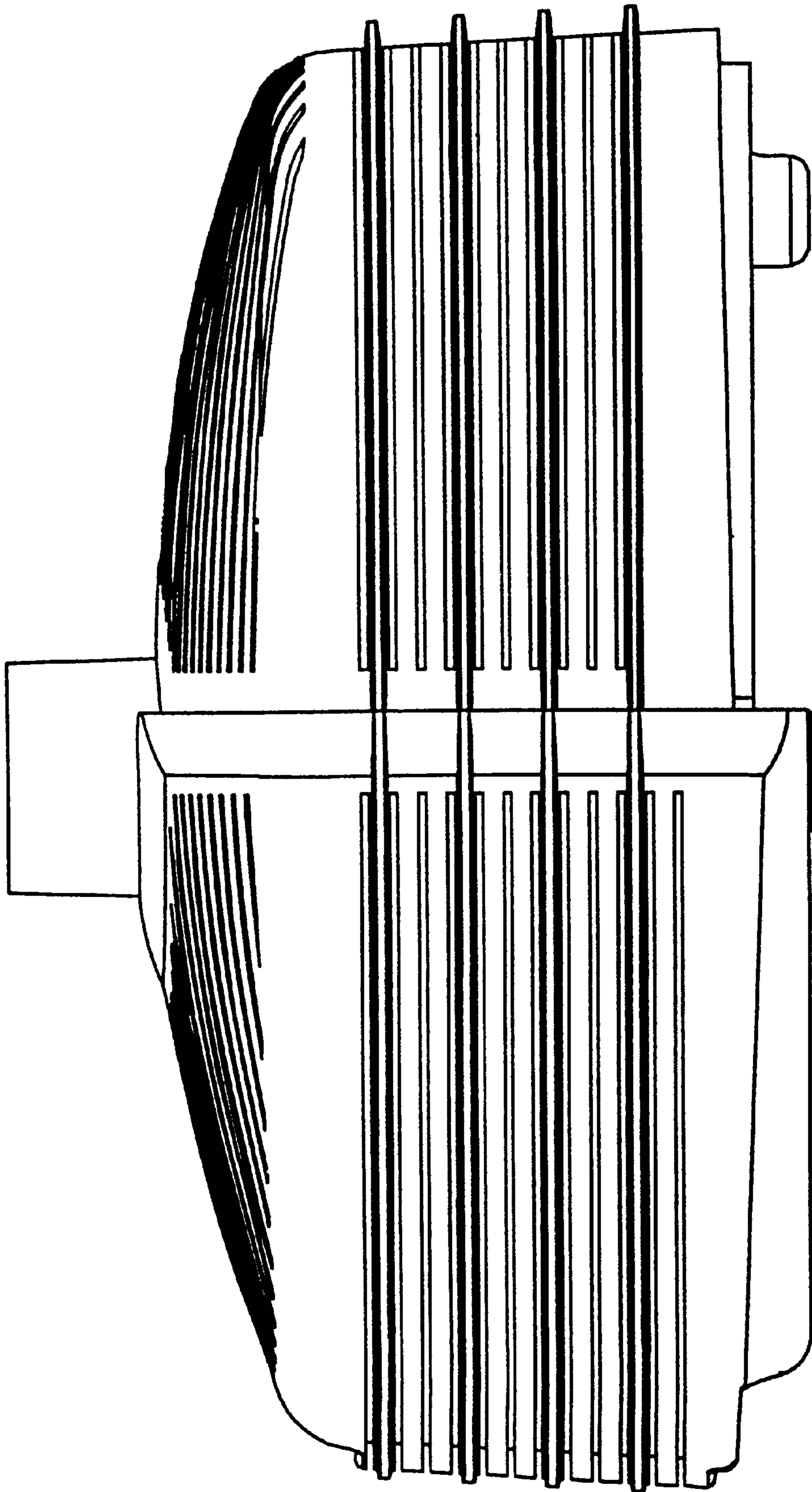


FIG. 5

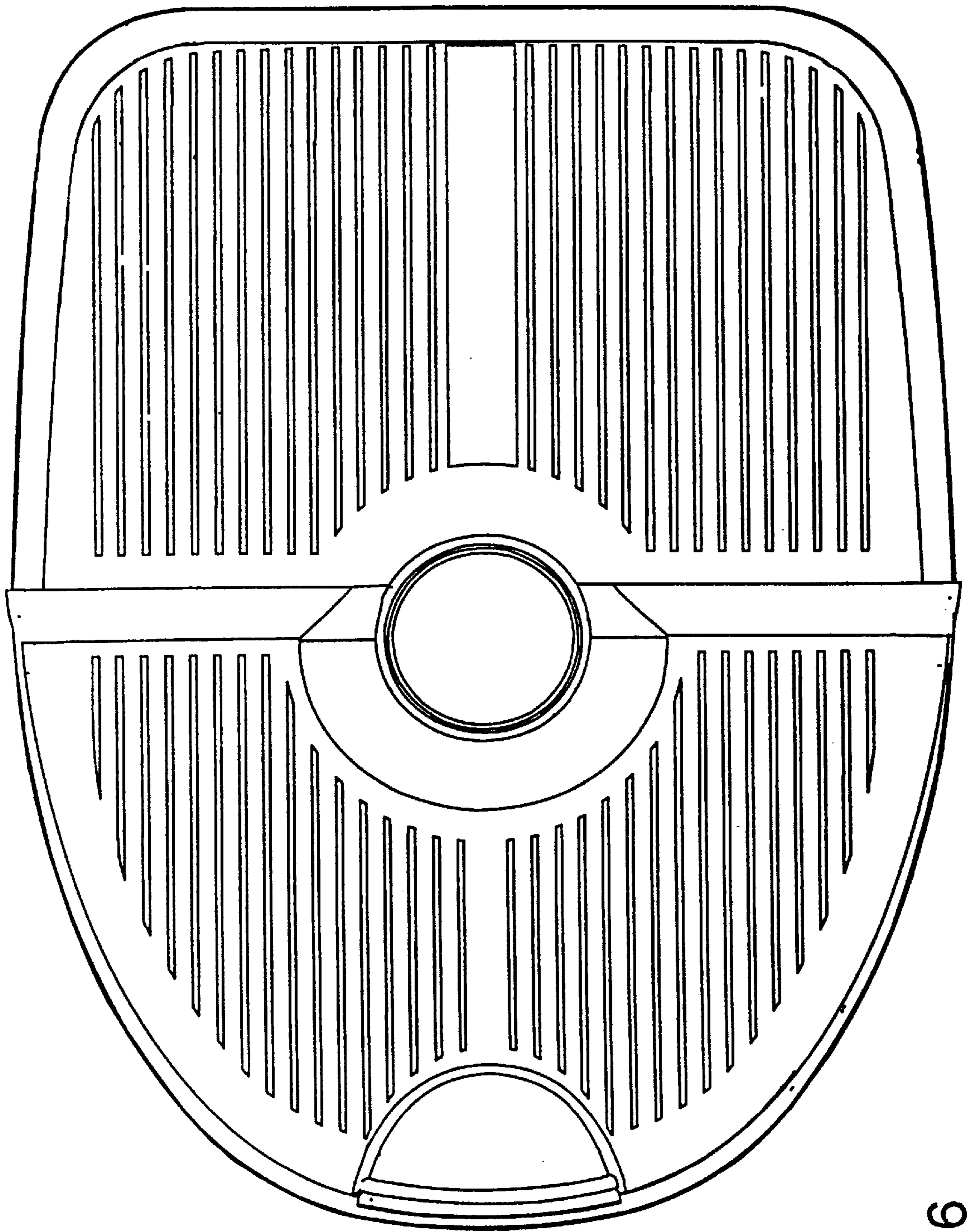


FIG. 6