



US00D441369S

(12) **United States Design Patent**
Goto

(10) **Patent No.:** **US D441,369 S**

(45) **Date of Patent:** **** May 1, 2001**

(54) **CONTROLLER FOR A GAME MACHINE**

(75) **Inventor:** **Teiyu Goto, Tokyo (JP)**

(73) **Assignee:** **Sony Computer Entertainment Inc., Tokyo (JP)**

(*) **Notice:** This patent is subject to a terminal disclaimer.

(**) **Term:** **14 Years**

D. 382,603	8/1997	Goto	D21/48	
D. 393,290	*	4/1998	Goto	D14/401
D. 393,885	*	4/1998	Goto	D14/401
D. 398,032		9/1998	Goto	D21/48
D. 405,835	*	2/1999	Goto	D14/401
D. 410,914	*	6/1999	Tyler et al.	D14/401
D. 417,664	*	12/1999	Goto	D14/401
4,870,389		9/1989	Ishiwata et al.	273/184 B X
5,184,830		2/1993	Okada et al.	463/46
5,203,653		4/1993	Loper, III	273/148 B
5,207,426		5/1993	Inoue et al.	273/148 B
5,498,843		3/1996	Date et al.	200/6 A

(21) **Appl. No.:** **29/094,943**

(22) **Filed:** **Oct. 14, 1998**

(51) **LOC (7) Cl.** **14-02**

(52) **U.S. Cl.** **D14/413**

(58) **Field of Search** D14/412-416,
D14/399, 400, 401; D21/324, 333; 273/148 B;
463/1, 29-36, 38, 46, 47; 345/156, 158,
161, 184

(56) **References Cited**

U.S. PATENT DOCUMENTS

D. 317,021	5/1991	Shulman et al.	D21/48
D. 325,225	4/1992	Adhida	D21/48
D. 342,550	12/1993	Lin	D21/48
D. 345,164	3/1994	Grae	D14/218
D. 345,994	4/1994	Shian	D21/48
D. 349,527	8/1994	Date	D21/48
D. 352,970	11/1994	Ho	D21/48
D. 353,410	12/1994	Chan	D21/48
D. 354,993	1/1995	Morrison et al.	D21/48
D. 355,450	2/1995	Ho	D21/48
D. 356,606	3/1995	Feng	D21/48
D. 357,286	4/1995	Feng	D21/48
D. 360,436	7/1995	Chan	D21/48
D. 360,903	8/1995	Barr et al.	D21/48
D. 362,277	9/1995	Chan	D21/48
D. 363,320	10/1995	Barthelemy et al.	D21/48
D. 363,321	10/1995	Hsien	D21/48
D. 368,285	3/1996	Couch et al.	D21/48
D. 368,936	4/1996	Goto	D21/48
D. 375,326	11/1996	Yokoi et al.	D21/48
D. 376,826	12/1996	Ashida	D21/48
D. 380,783	7/1997	Tyler	D21/48

FOREIGN PATENT DOCUMENTS

1011423 5/1998 (JP) .

OTHER PUBLICATIONS

Hong Kong Enterprise, Oct. 1992, p. 269.
Hong Kong Enterprise, Oct. 1992, p. 363.
Playthings, Sep. 1988, pp. 49.
"The Point Network," No. 31, Yodobashi Camera (Autumn 1996).
"The Point Network," No. 41, Yodobashi Camera (Summer 1998).

* cited by examiner

Primary Examiner—Prabhakar Deshmukh
(74) *Attorney, Agent, or Firm*—Rader, Fishman & Grauer

(57) **CLAIM**

The ornamental design for a controller for a game machine, as shown and described.

DESCRIPTION

FIG. 1 is a perspective view of a controller for a game machine showing my new design;
FIG. 2 is a top plan view thereof;
FIG. 3 is a left side elevational view thereof;
FIG. 4 is a front elevational view thereof;
FIG. 5 is a bottom plan view thereof;
FIG. 6 is a right side elevational view thereof; and,
FIG. 7 is a rear elevational view thereof.

1 Claim, 3 Drawing Sheets

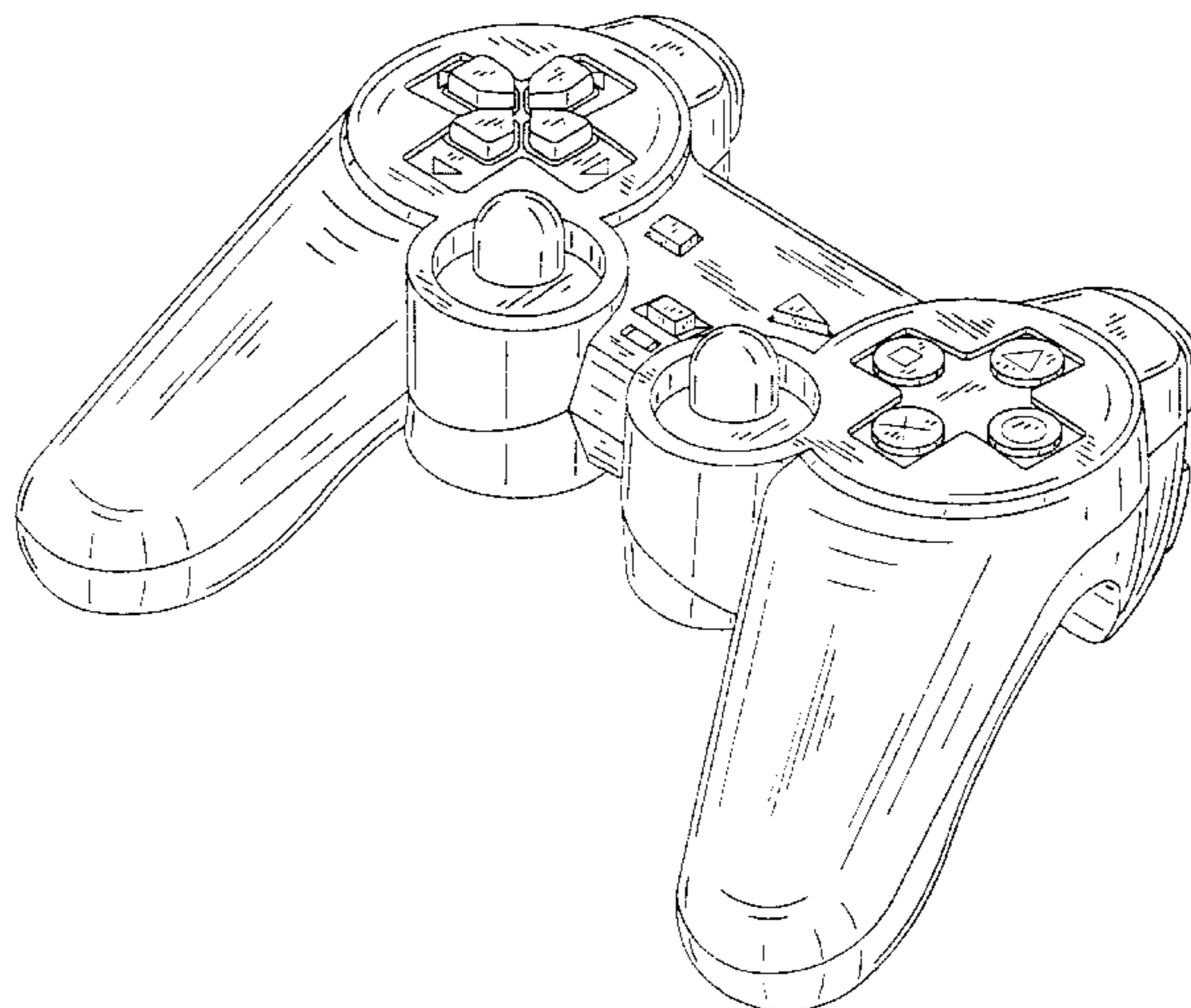


FIG. 1

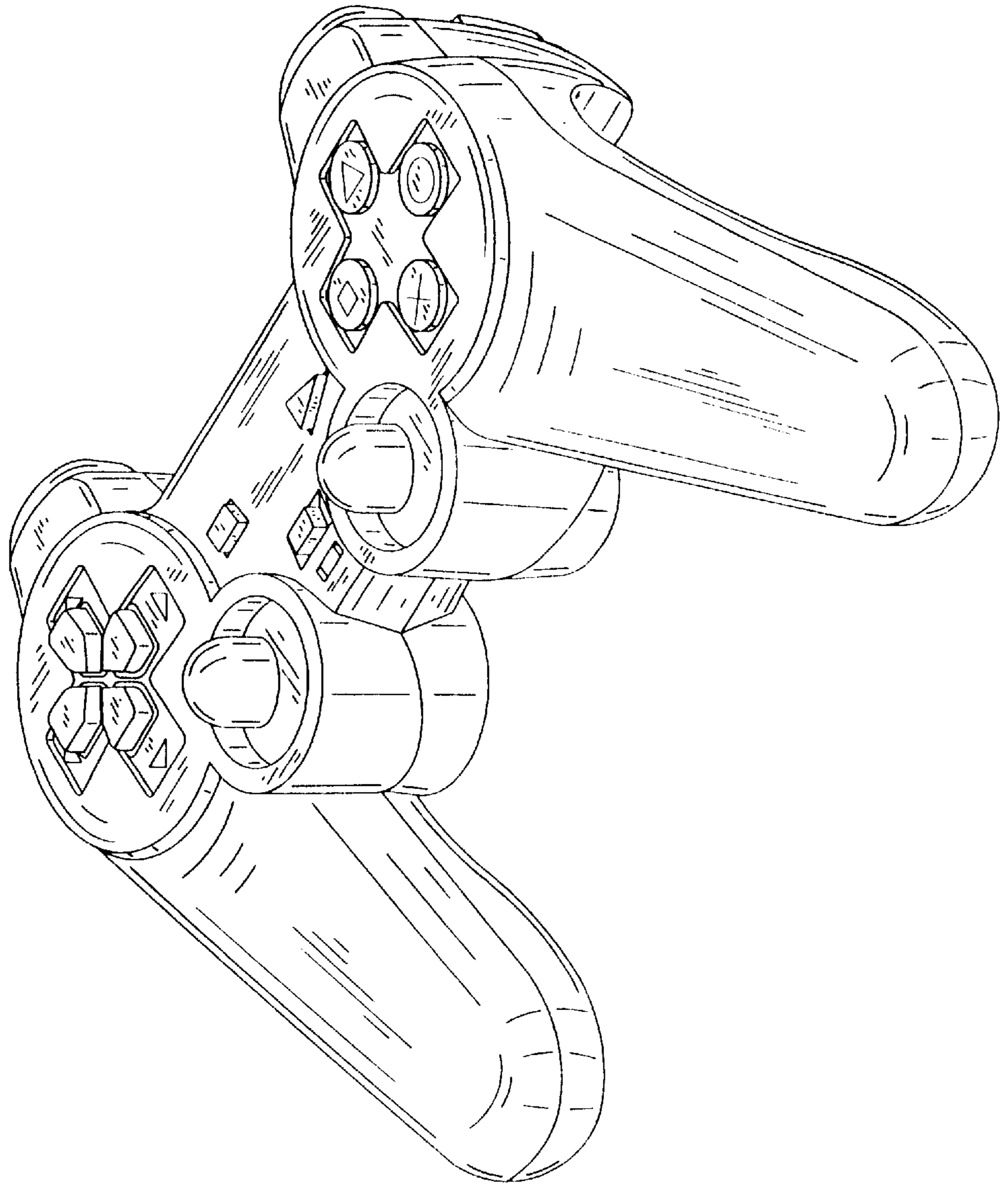


FIG. 2

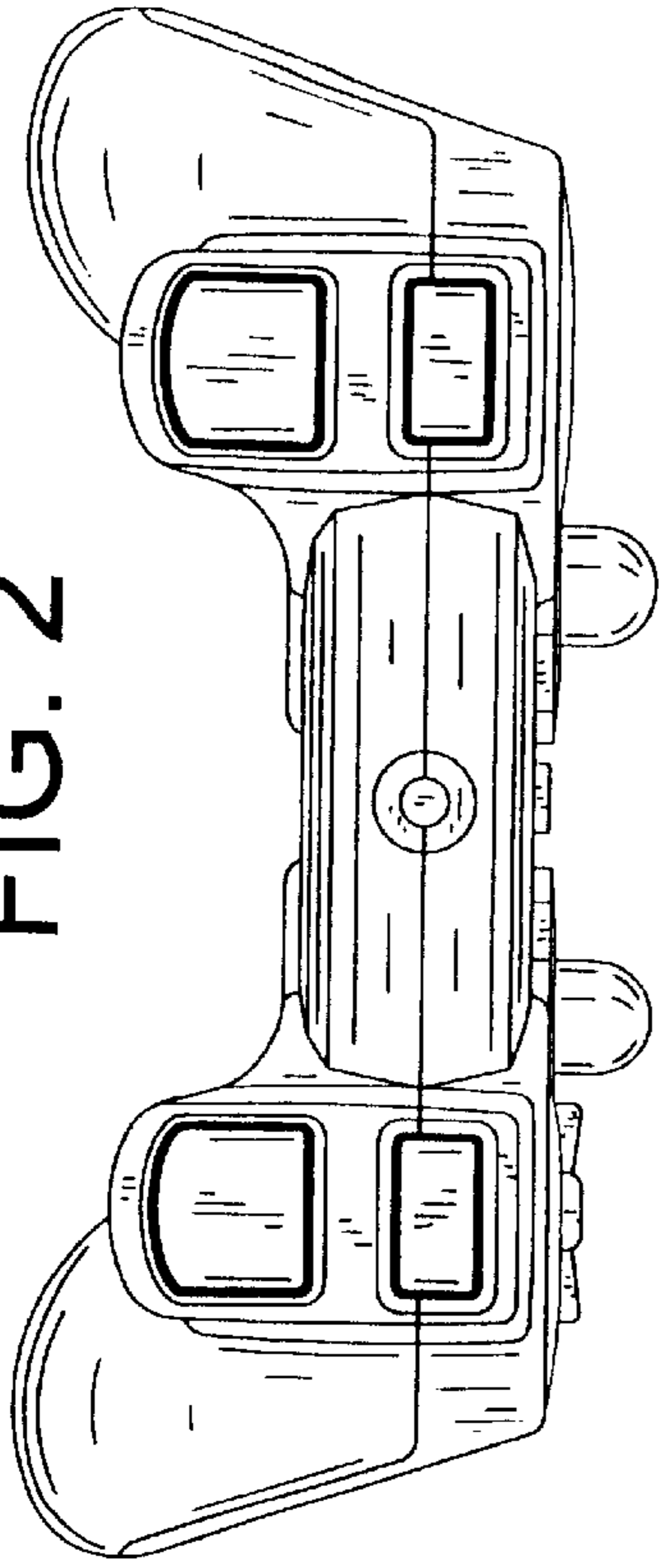


FIG. 4

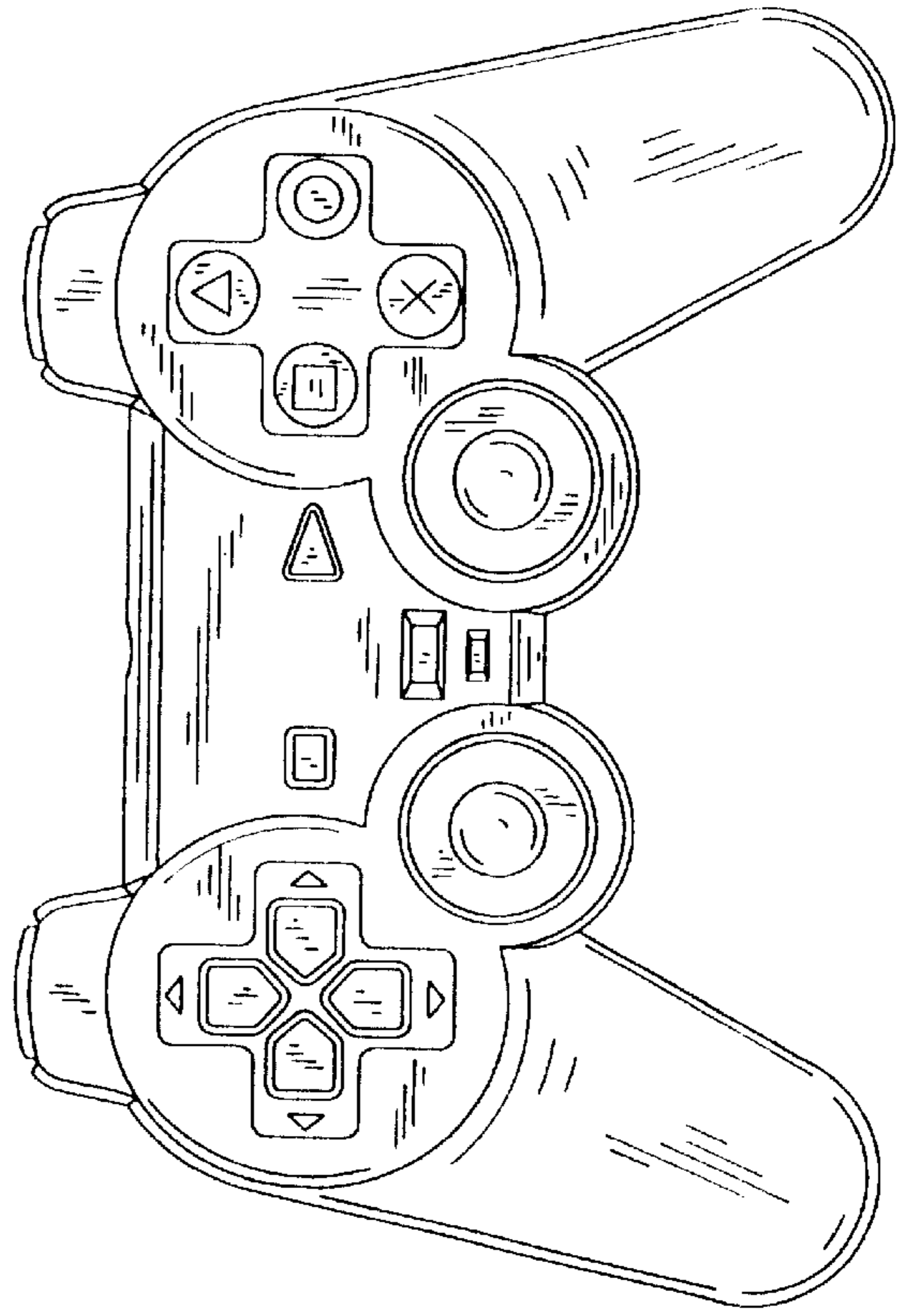


FIG. 3

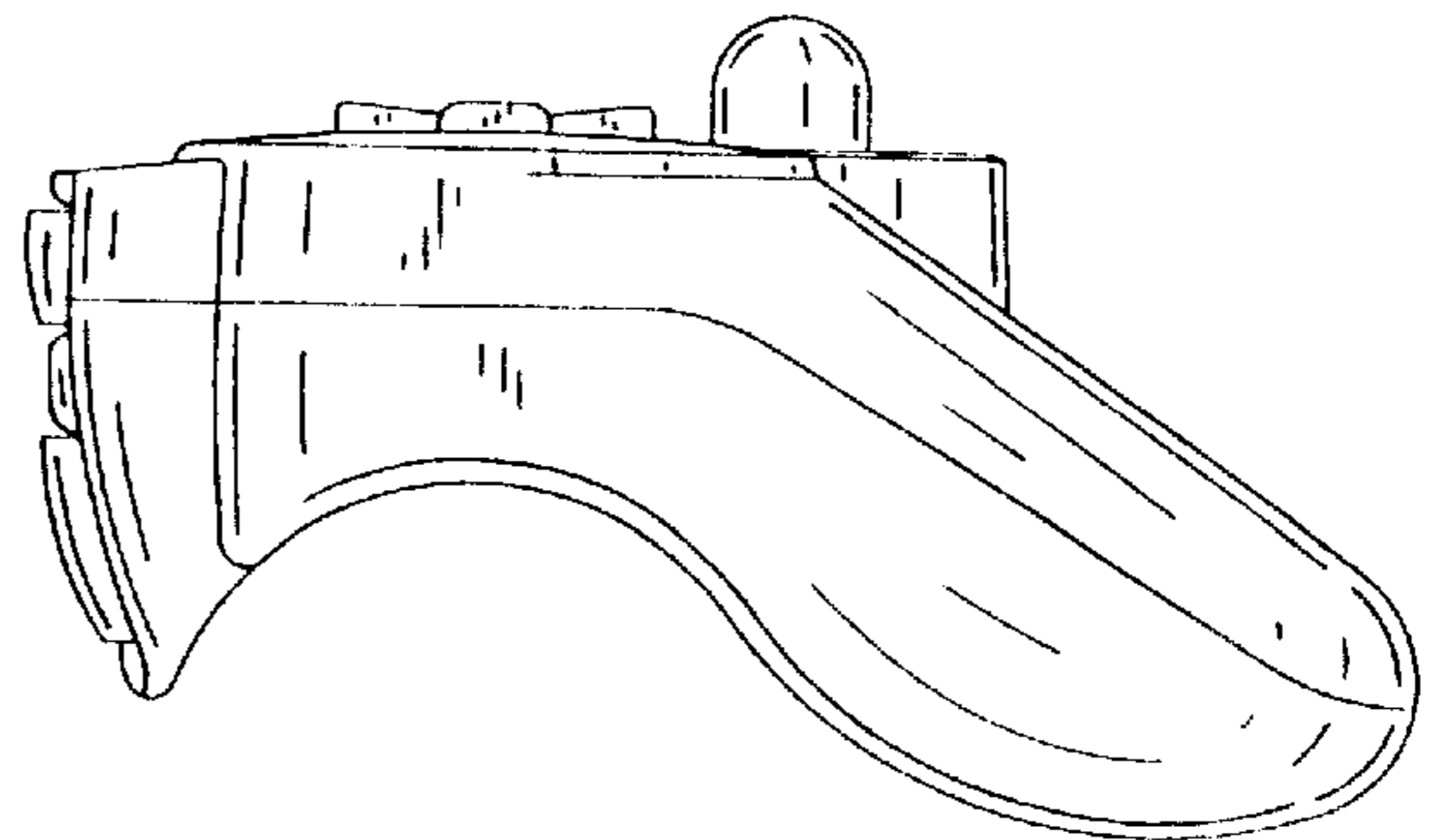


FIG. 6

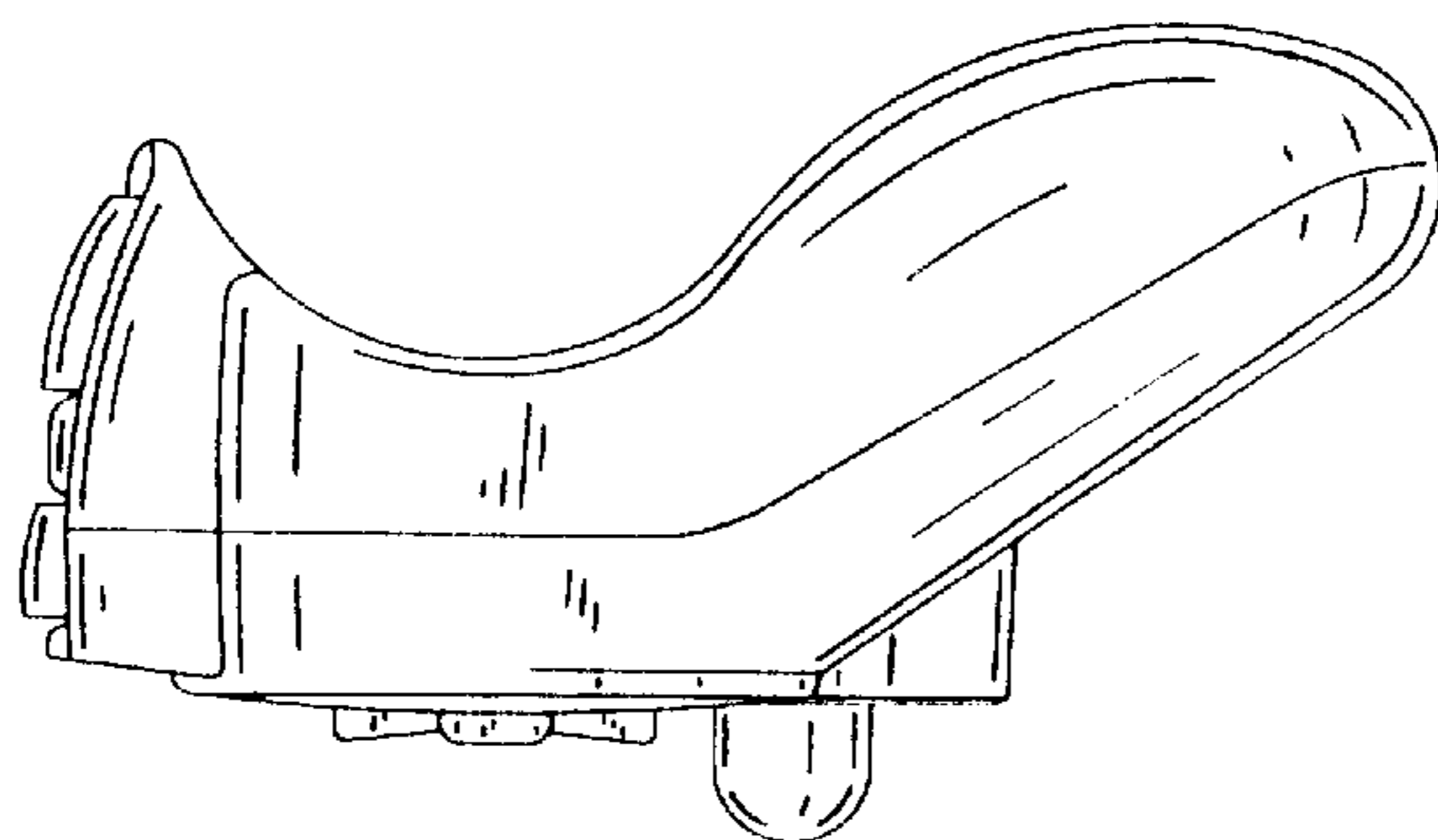


FIG. 7

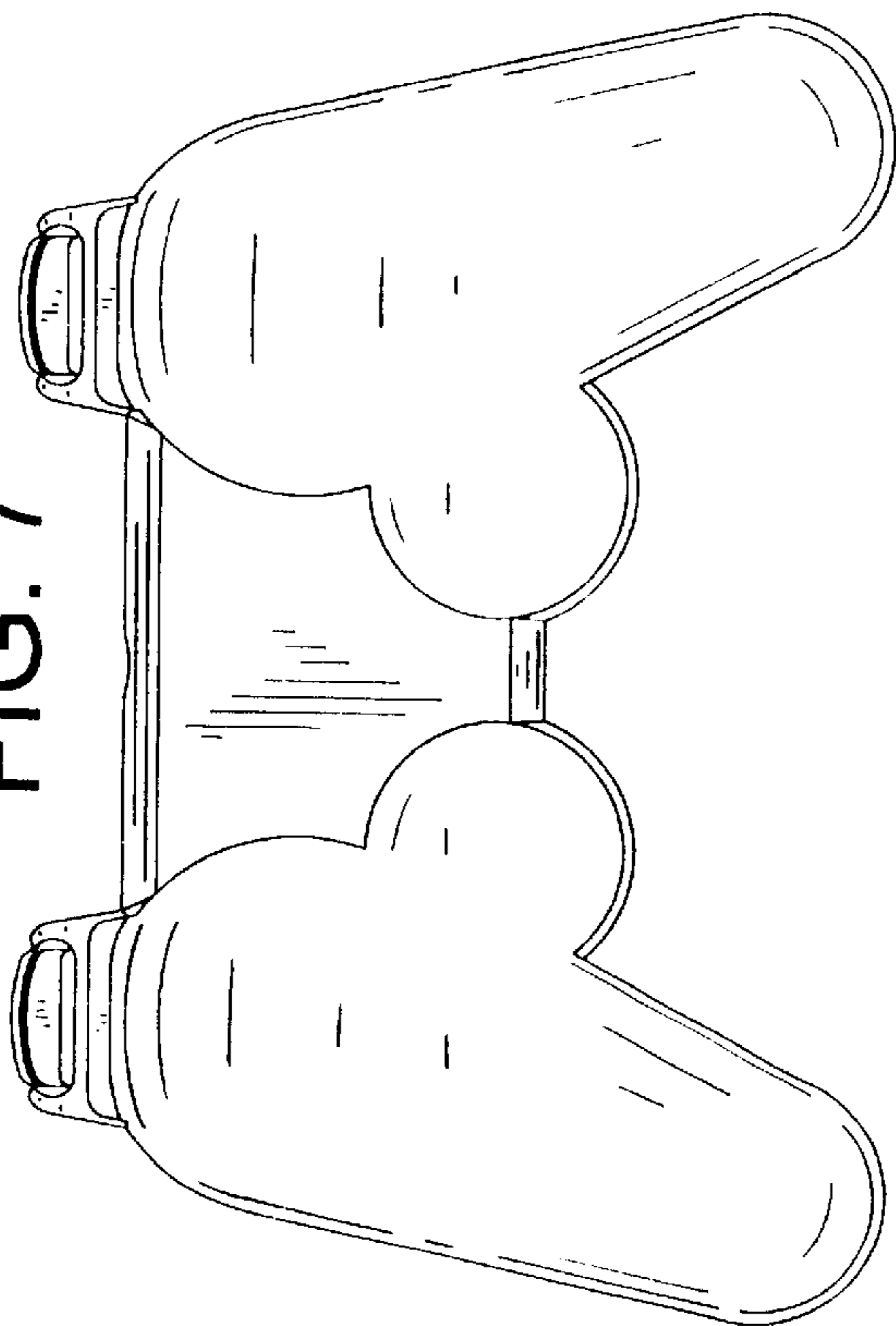


FIG. 5

