



US00D441364S

(12) **United States Design Patent**  
**Lawhon**

(10) **Patent No.:** **US D441,364 S**

(45) **Date of Patent:** **\*\* May 1, 2001**

(54) **DECORATIVE MOUSE COVER**

D. 419,978 \* 2/2000 Mah ..... D14/432  
6,040,539 \* 3/2000 Hiegel ..... D14/402

(76) **Inventor:** **Woodrow Lawhon**, 3272 Military Ave.,  
Los Angeles, CA (US) 90034

\* cited by examiner

(\*\*) **Term:** **14 Years**

*Primary Examiner*—Kay H. Chin

(74) *Attorney, Agent, or Firm*—Cislo & Thomas LLP

(21) **Appl. No.:** **29/126,895**

(57) **CLAIM**

(22) **Filed:** **Jul. 25, 2000**

The ornamental design for a decorative mouse cover, as shown and described.

(51) **LOC (7) Cl.** ..... **14-02**

**DESCRIPTION**

(52) **U.S. Cl.** ..... **D14/403; D14/440**

(58) **Field of Search** ..... D14/402-410,  
D14/417, 432; 200/5 R, 5 A, 6 R, 6 A,  
302.1, 512-517; 273/148 B; 345/156-167;  
74/471 XY; 463/36, 37, 38; D11/86; D24/155

FIG. 1. is a perspective view of my decorative mouse cover;  
FIG. 2. is a front view thereof;  
FIG. 3. is a rear view thereof;  
FIG. 4. is a left side view thereof;  
FIG. 5. is a right side view thereof;  
FIG. 6. is a top view thereof; and,  
FIG. 7. is a bottom view thereof.

(56) **References Cited**

**U.S. PATENT DOCUMENTS**

D. 372,229 \* 7/1996 Samborsky ..... D14/440  
D. 378,132 2/1997 Strain ..... D24/155  
D. 383,541 9/1997 Strain ..... D24/155  
D. 398,879 9/1998 Philipson et al. .... D11/86

The broken lines shown in the above-referenced drawings are for illustrative purposes only, illustrating an environment of the invention.

**1 Claim, 3 Drawing Sheets**

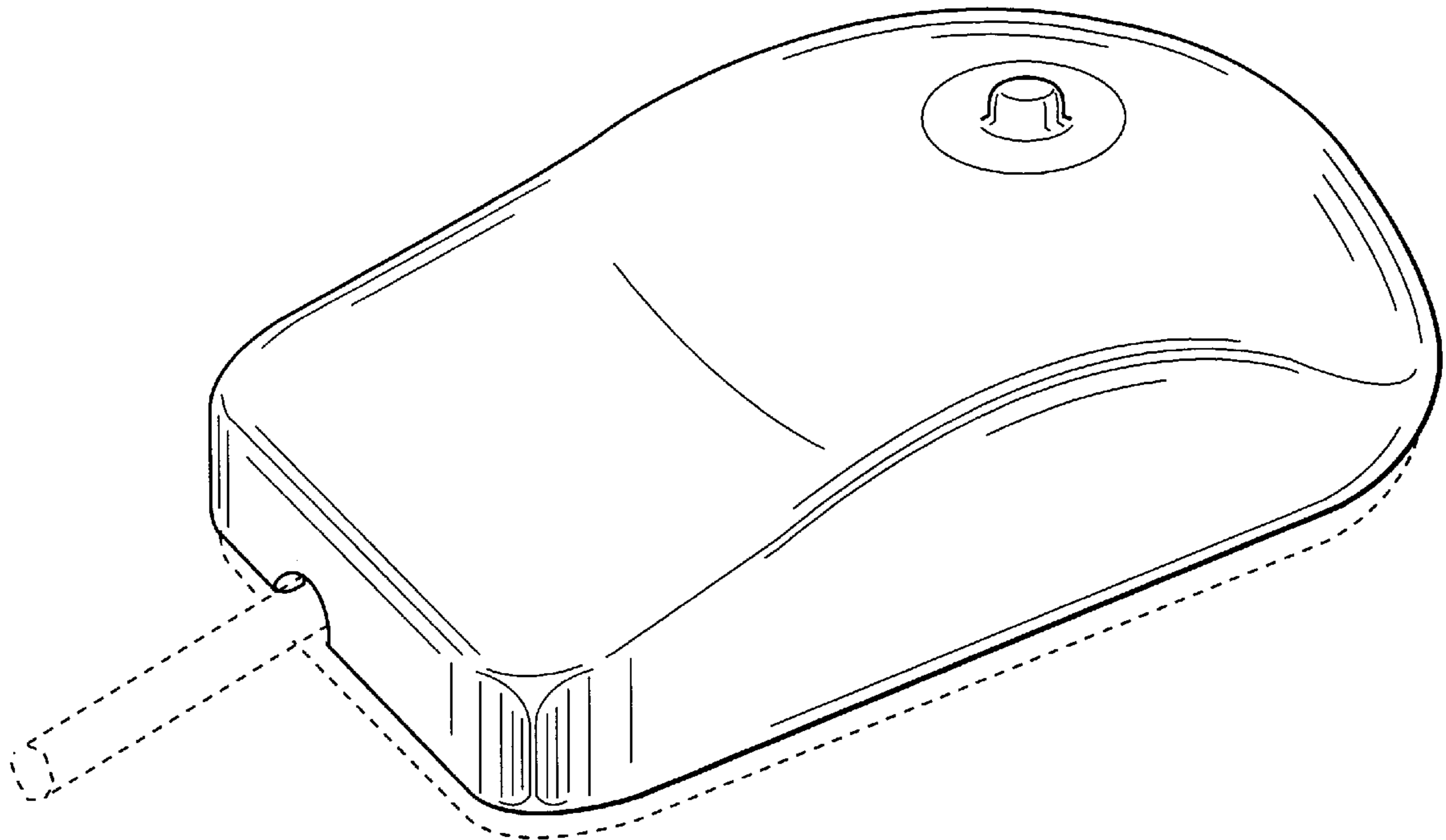


FIG. 1

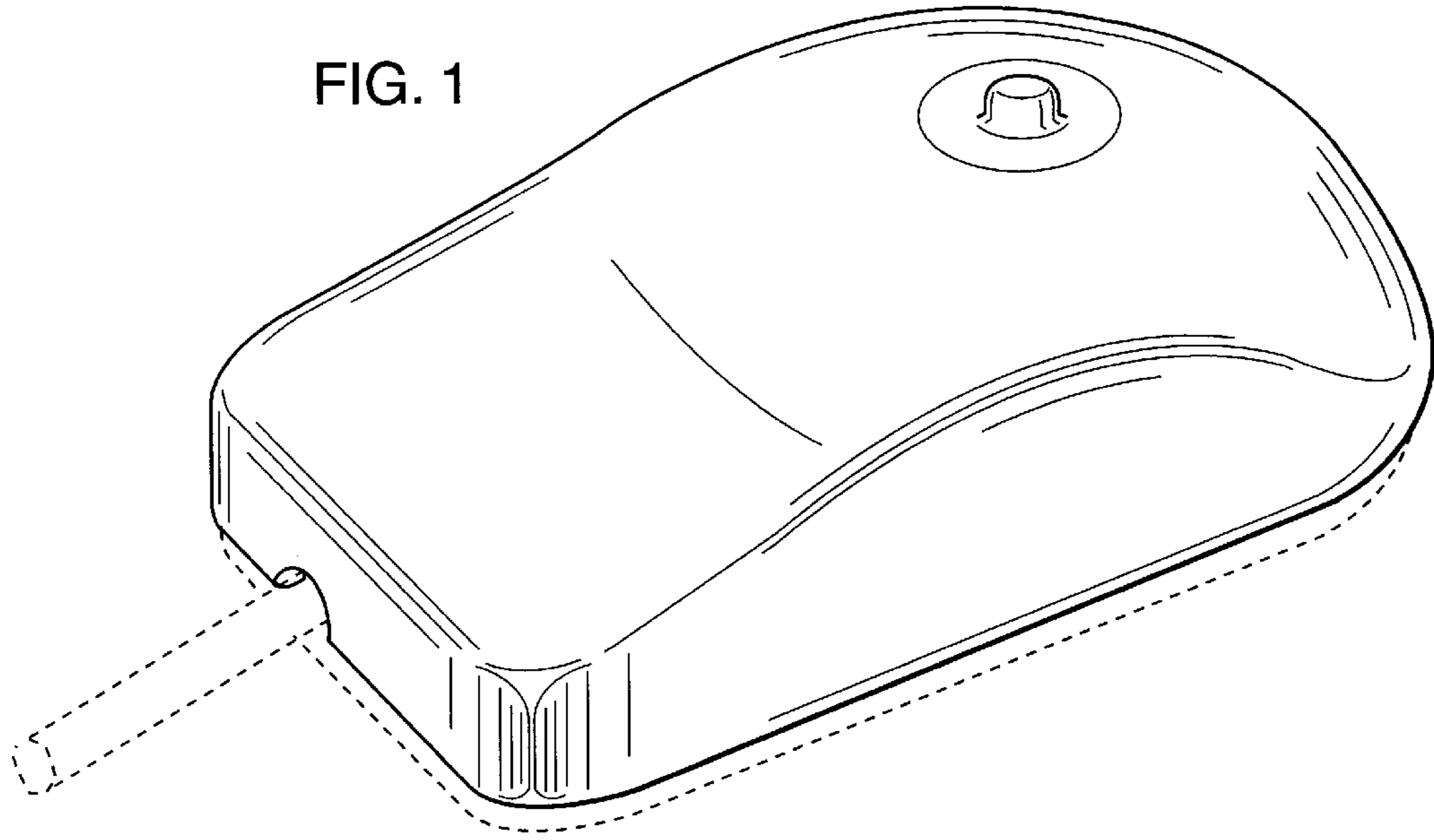


FIG. 2

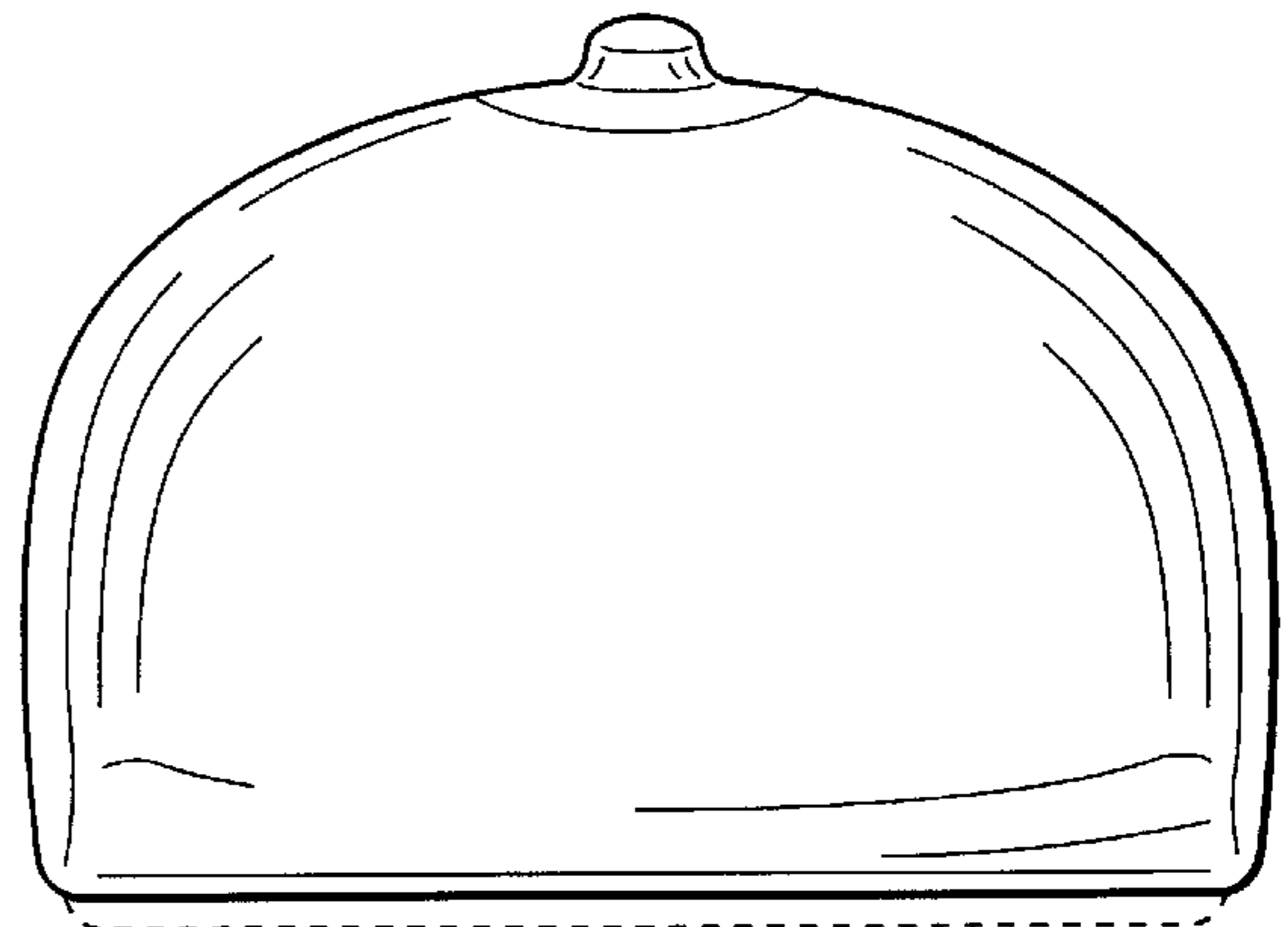
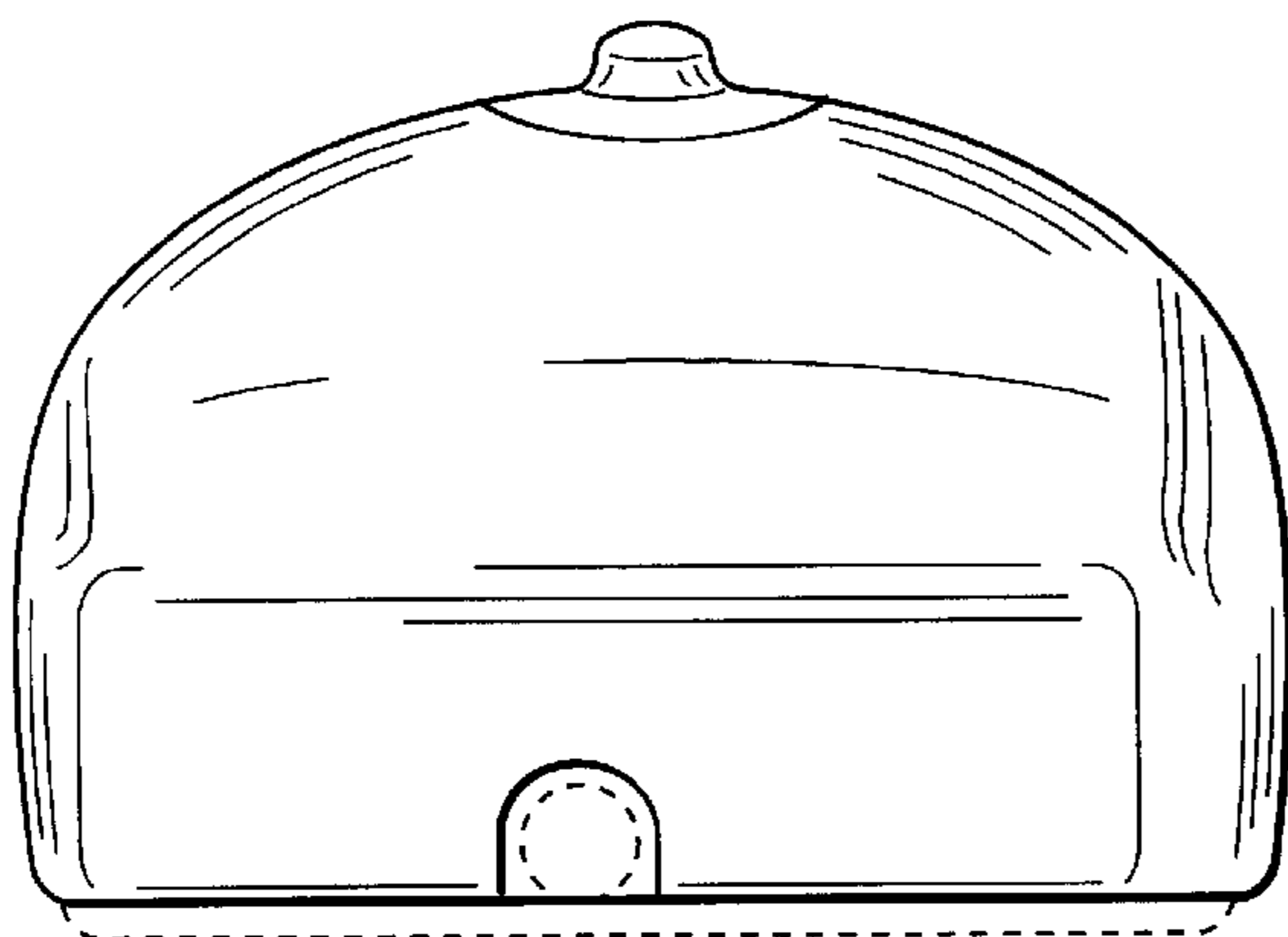


FIG. 3



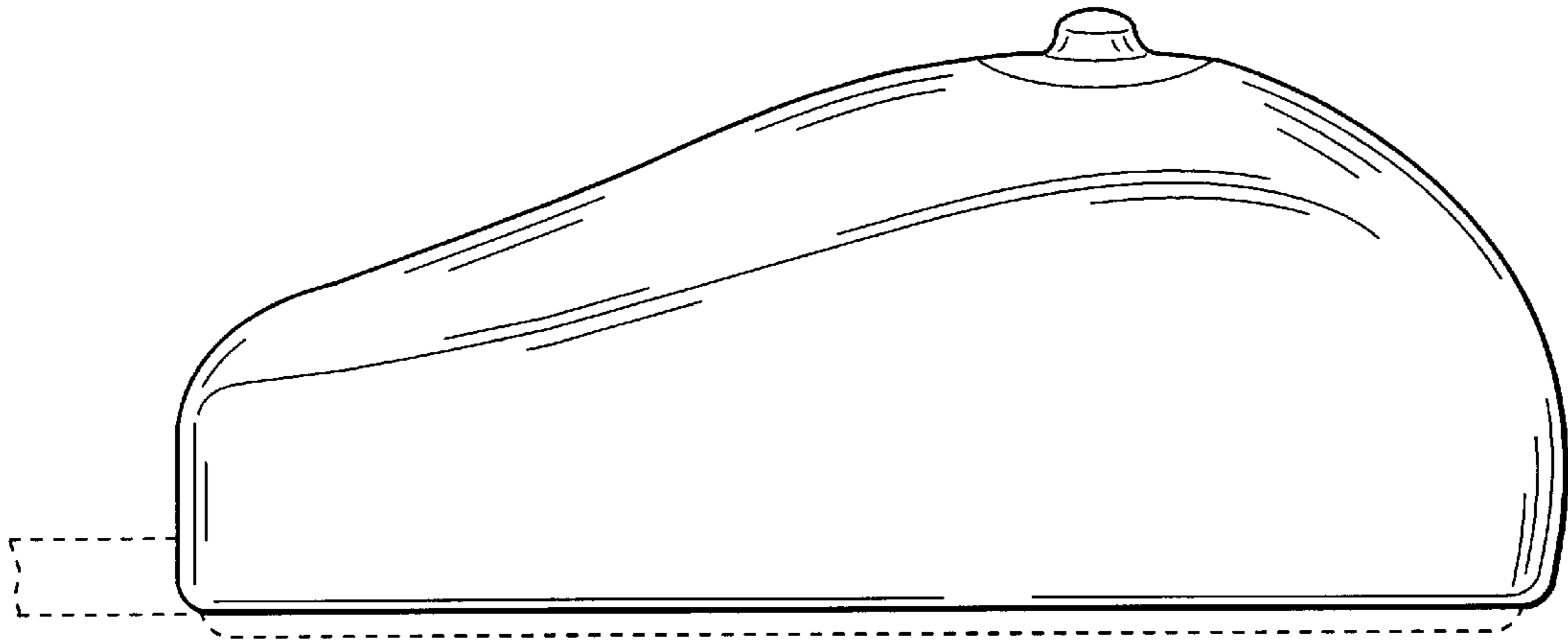


FIG. 4

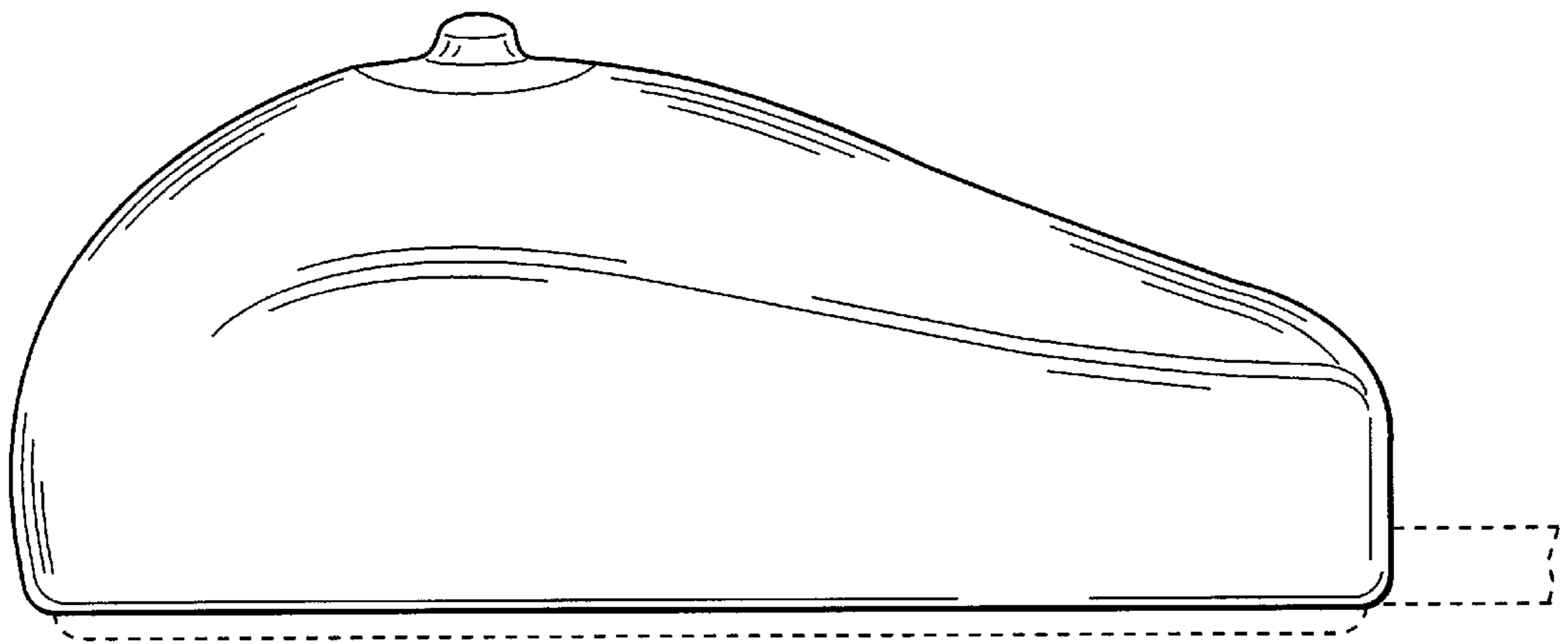


FIG. 5

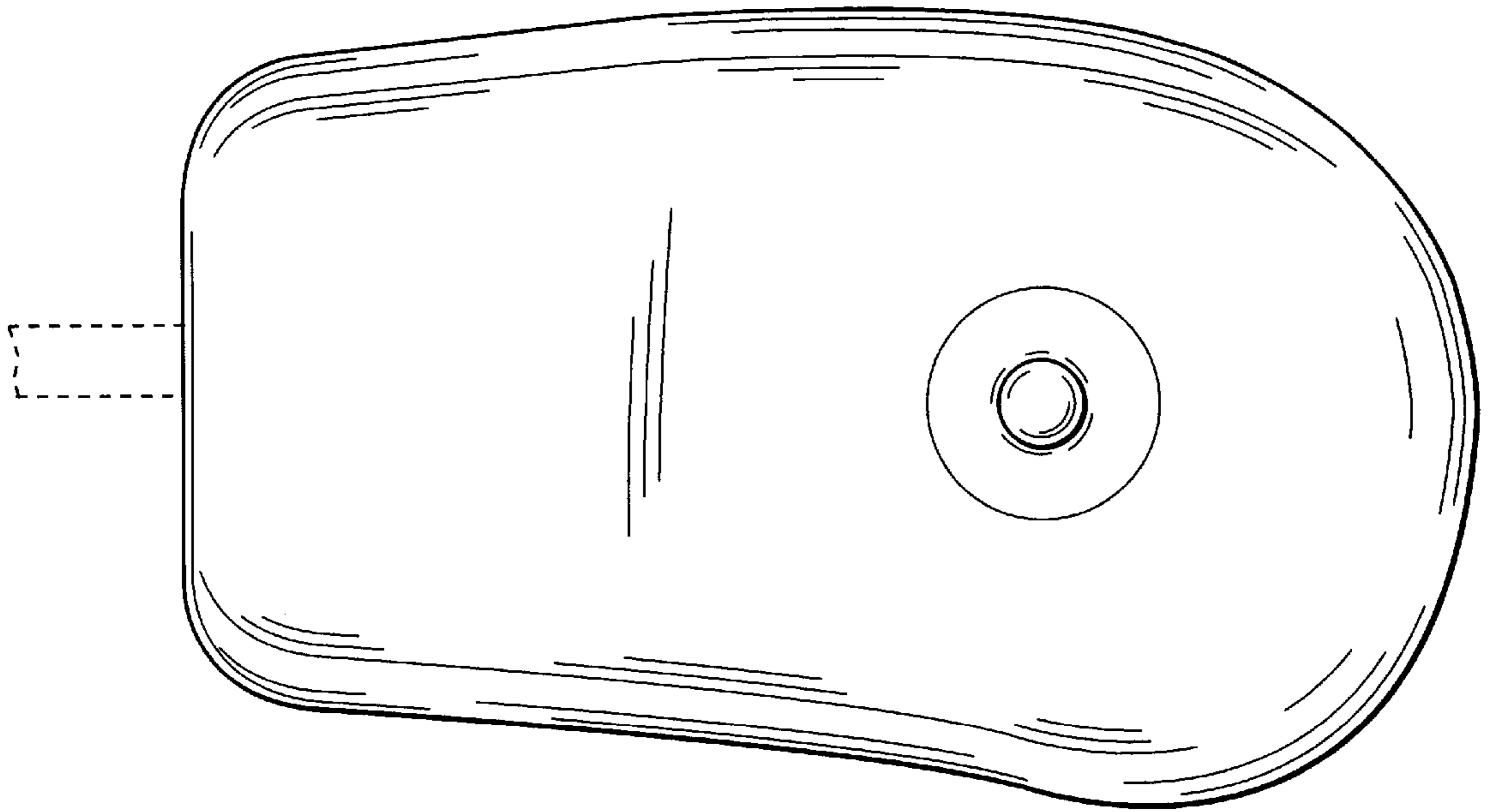


FIG. 6

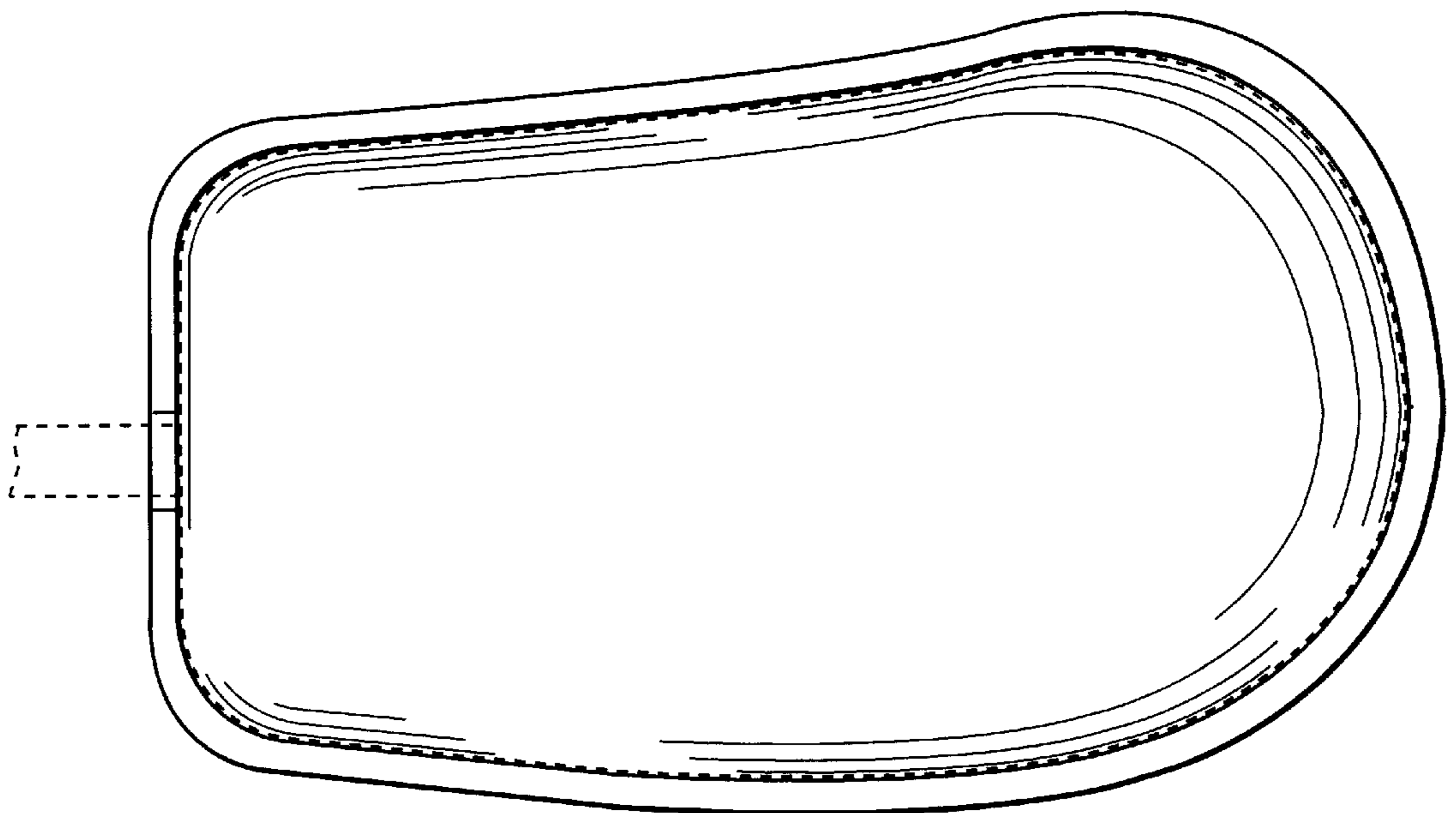


FIG. 7