



US00D441363S

(12) **United States Design Patent**  
**Heard et al.**

(10) **Patent No.:** **US D441,363 S**

(45) **Date of Patent:** **\*\* May 1, 2001**

(54) **COMPUTER MOUSE WITH TRUCK AND SEMITRAILER SHAPE**

D. 320,583 \* 10/1991 Simons et al. .... D12/96  
D. 404,027 \* 1/1999 Bush ..... D14/403  
5,692,956 \* 12/1997 Rifkin ..... 463/37

(76) Inventors: **Dennis D. Heard**, 4509 2nd Ave. So.,  
Minneapolis, MN (US) 55409; **Dana P. Hervig**, 1450 102nd St. E., Inver Grove  
Heights, MN (US) 55077

\* cited by examiner

*Primary Examiner*—Kay H. Chin

(\*\*) Term: **14 Years**

(57) **CLAIM**

(21) Appl. No.: **29/126,694**

The ornamental design for a computer mouse with truck and semitrailer shape, as shown.

(22) Filed: **Jul. 21, 2000**

**DESCRIPTION**

(51) **LOC (7) Cl.** ..... **14-02**

(52) **U.S. Cl.** ..... **D14/403; D12/96**

(58) **Field of Search** ..... D14/402-410,  
D14/417, 432; 200/5 R, 5 A, 6 R, 6 A;  
273/148 B; 345/156-167; 74/471 XY; 463/36,  
37, 38; D21/533, 548, 552, 556, 558; D12/82,  
93, 94, 96, 97, 101

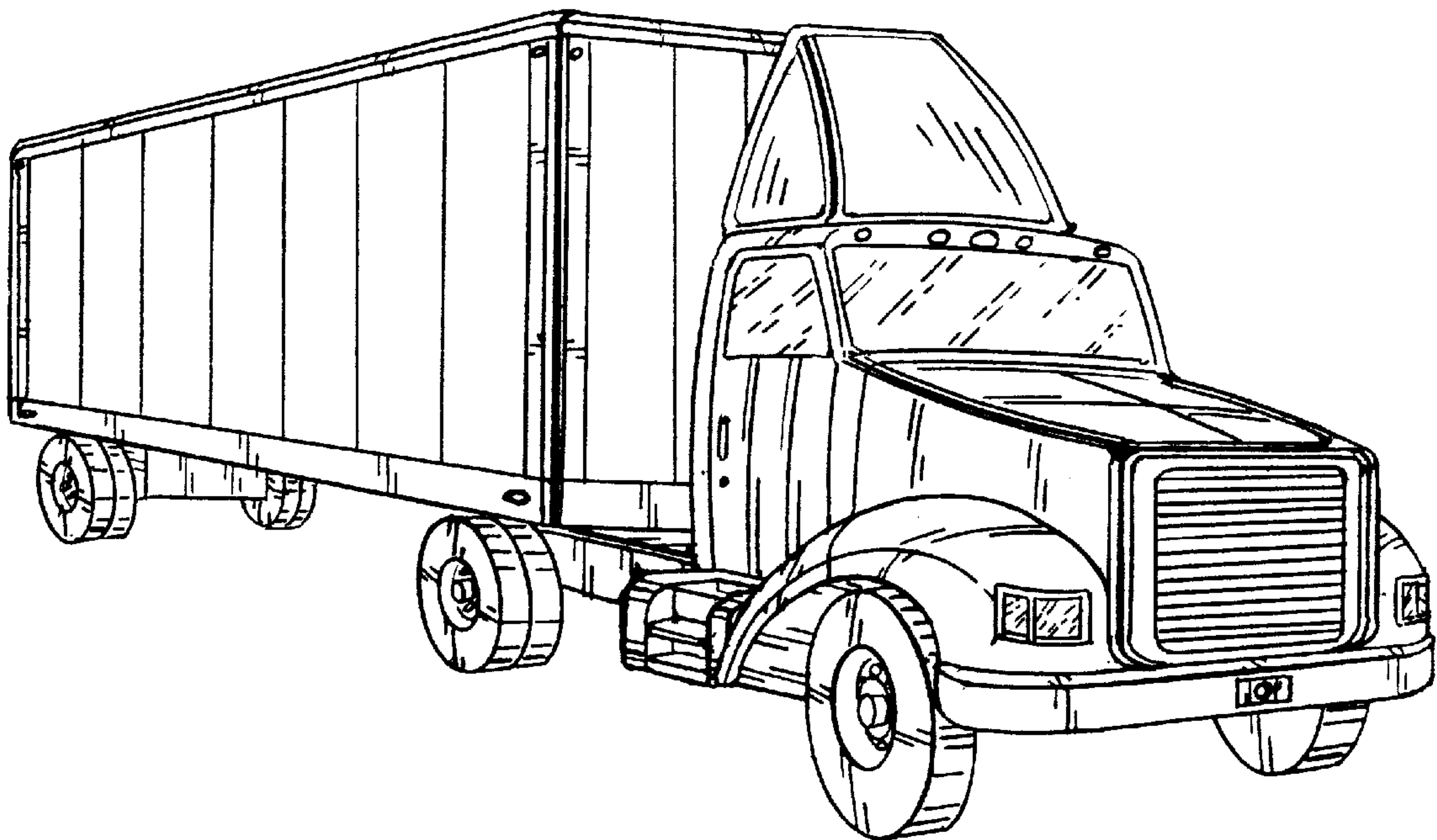
FIG. 1 is a front perspective view of a computer mouse with truck and semitrailer shape showing our new design; FIG. 2 is a left side elevational view thereof; FIG. 3 is a right side elevational view thereof; FIG. 4 is a rear elevational view thereof; FIG. 5 is a front elevational view thereof; FIG. 6 is a top plan view thereof; and, FIG. 7 is a bottom plan view thereof.

(56) **References Cited**

**U.S. PATENT DOCUMENTS**

D. 316,986 \* 5/1991 Hackett et al. .... D12/96

**1 Claim, 6 Drawing Sheets**



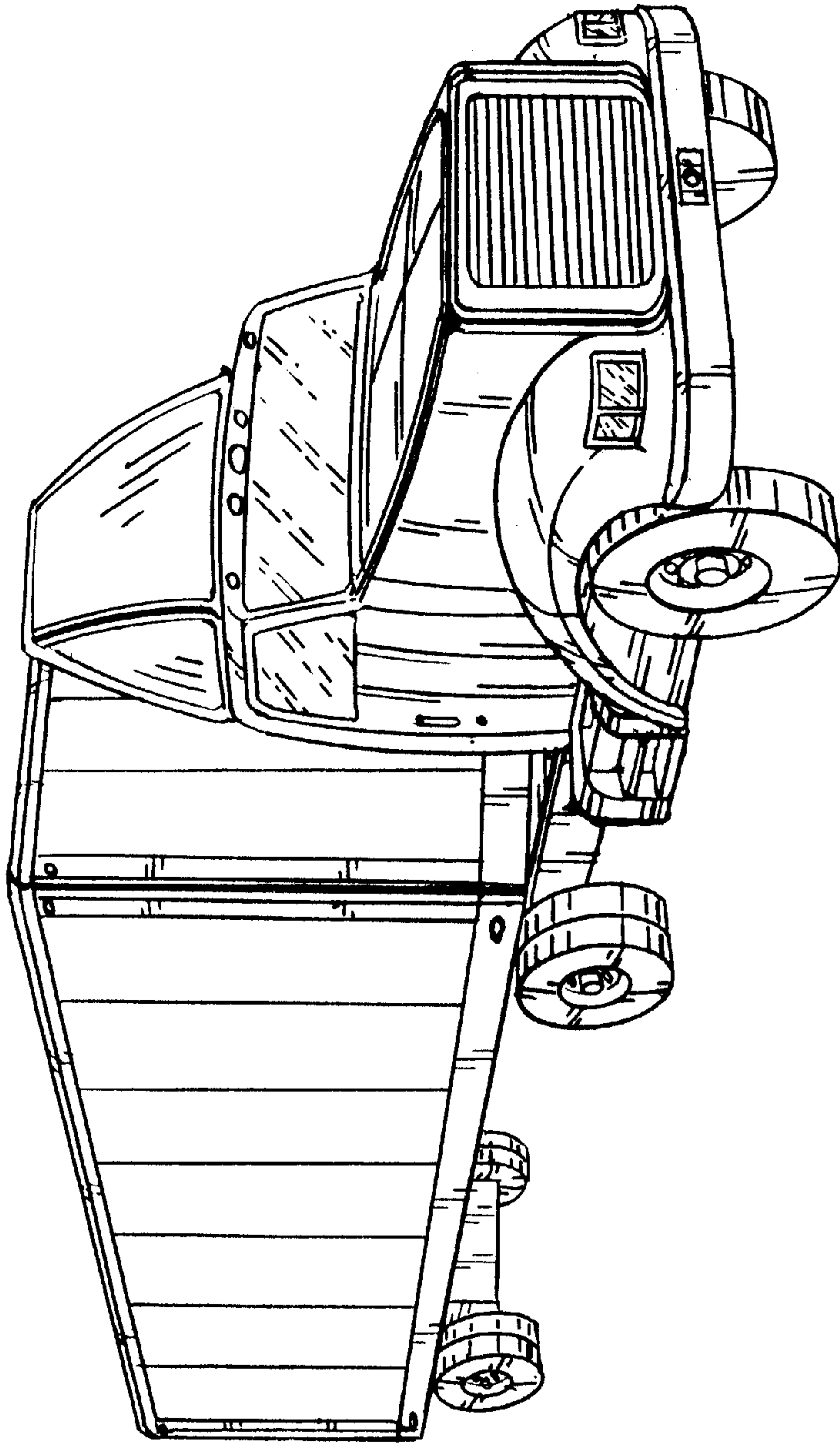


FIG.1

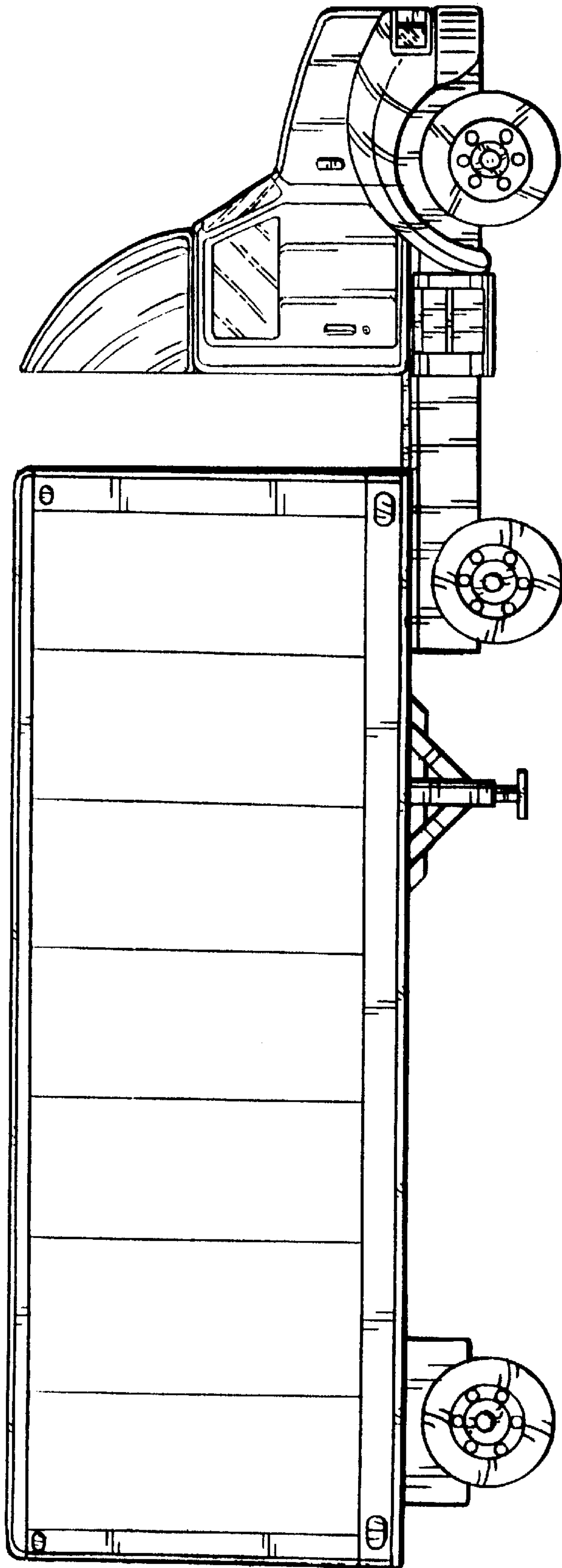


FIG. 2

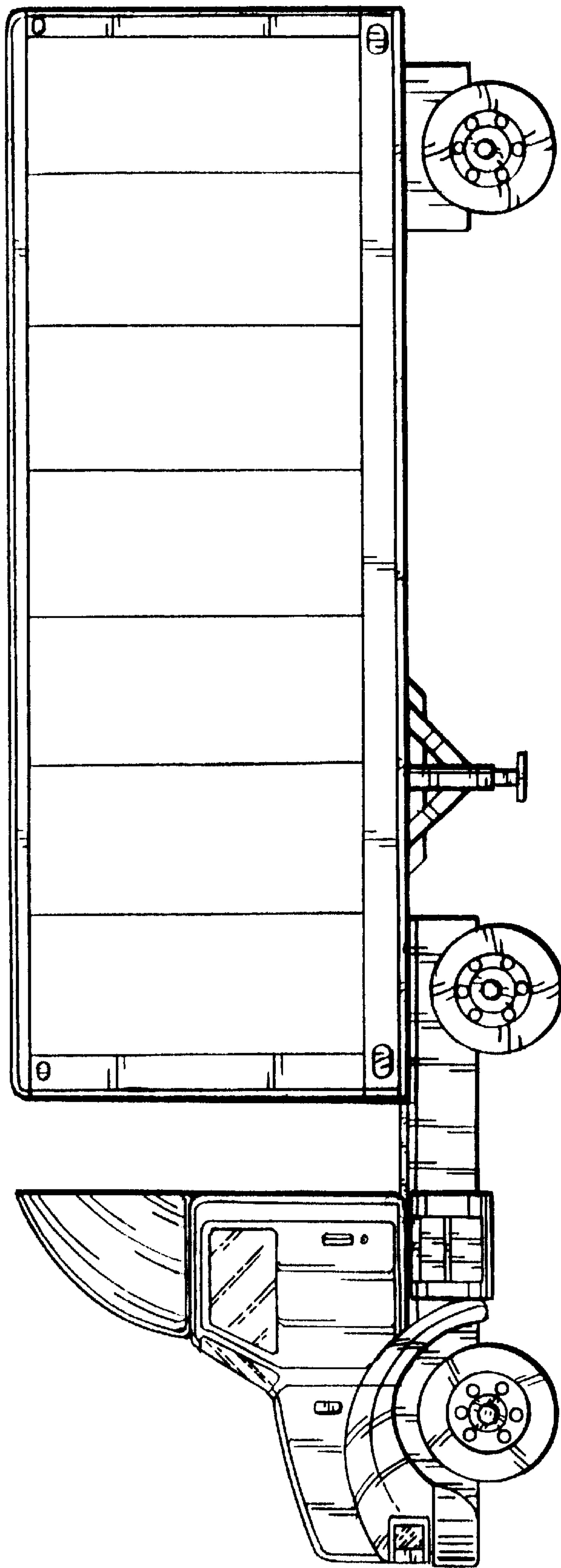


FIG. 3

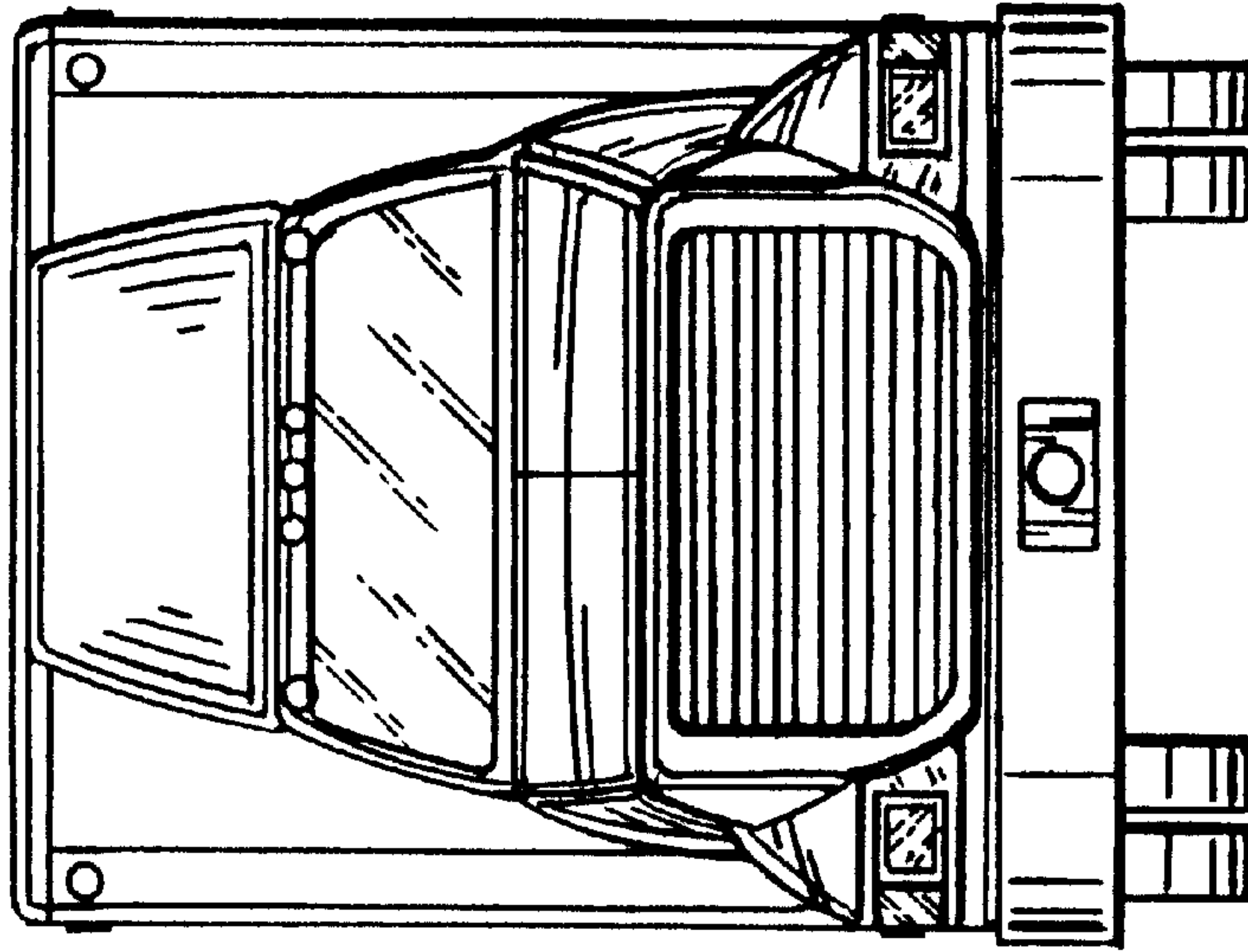


FIG. 5

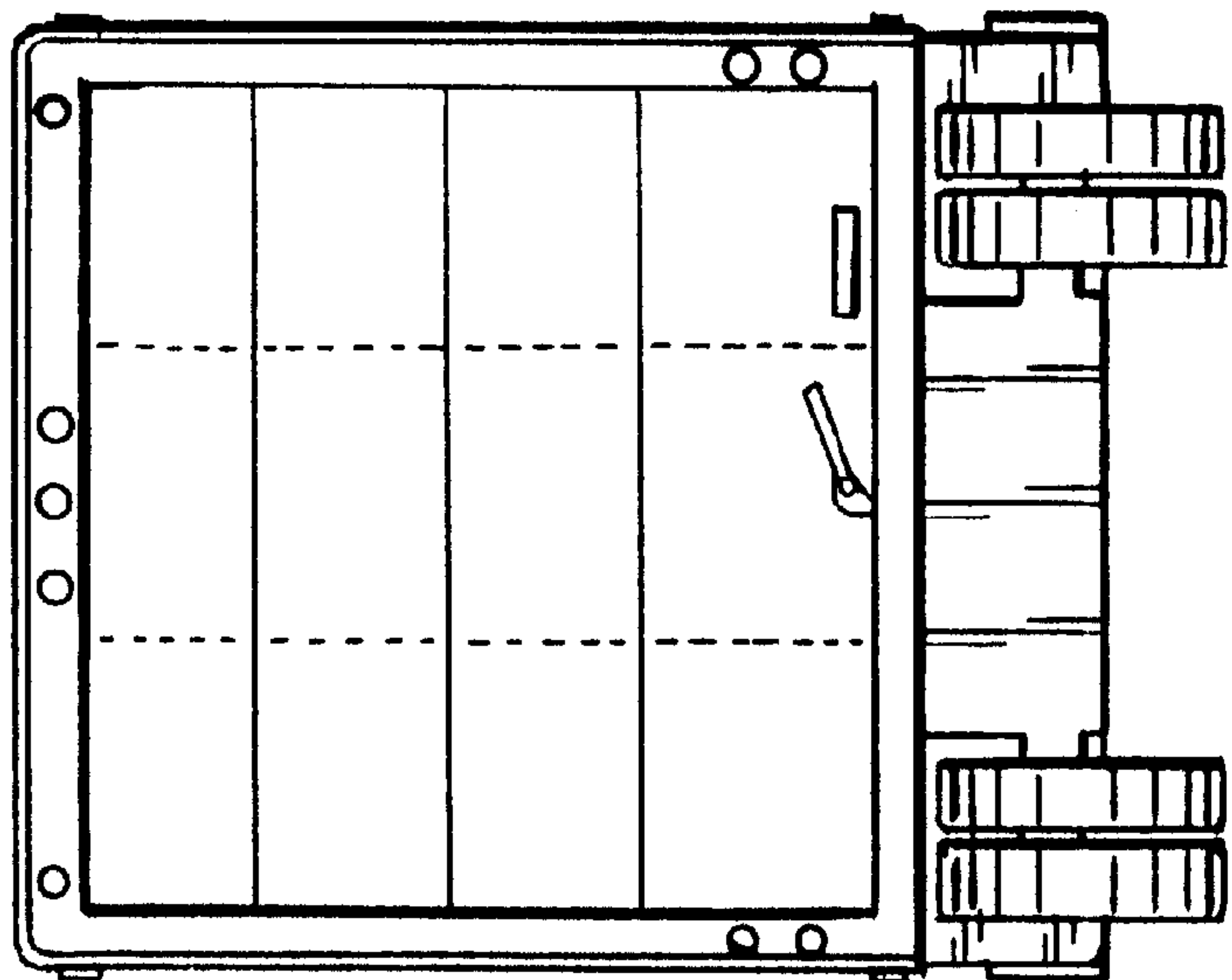


FIG. 4



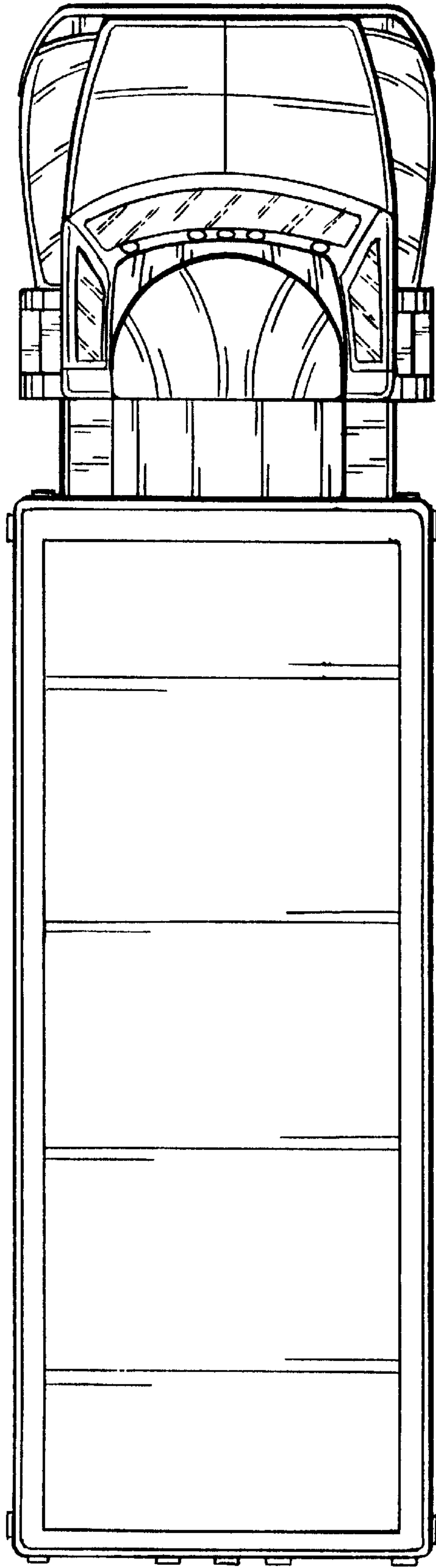


FIG. 6

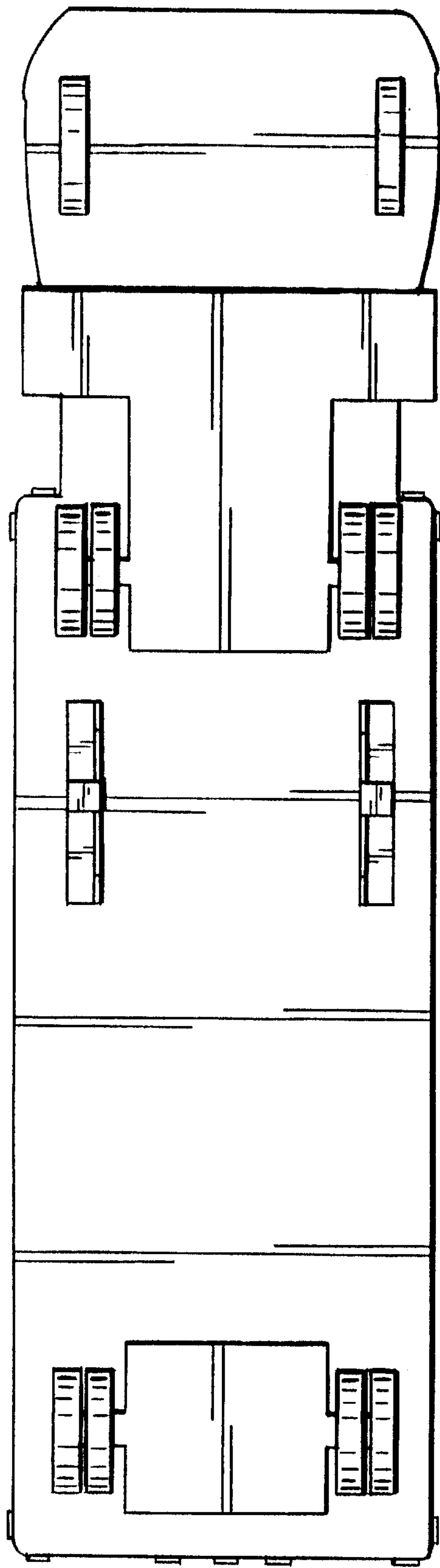


FIG. 7