



US00D441359S

(12) **United States Design Patent**
Iseki et al.

(10) **Patent No.:** **US D441,359 S**

(45) **Date of Patent:** **** May 1, 2001**

(54) **PORTABLE COMPUTER**

(75) Inventors: **Daisuke Iseki**, Tokyo; **Minoru Ikeda**,
Inagi; **Ryuichi Itou**, Hitachinaka;
Makoto Sato, Hitachiohta, all of (JP)

(73) Assignee: **Hitachi, Ltd.**, Tokyo (JP)

(**) Term: **14 Years**

(21) Appl. No.: **29/124,250**

(22) Filed: **Jun. 5, 2000**

(30) **Foreign Application Priority Data**

Mar. 8, 2000 (JP) 12-009446

(51) **LOC (7) Cl.** **14-02**

(52) **U.S. Cl.** **D14/341**

(58) **Field of Search** D14/336, 341,
D14/342, 343, 124-127; 345/104, 133,
156, 168, 173, 901, 905; 348/180, 184,
325, 739

(56) **References Cited**

U.S. PATENT DOCUMENTS

D. 356,548 * 3/1995 Bottcher et al. D14/341
D. 363,468 * 10/1995 Mieki et al. D14/342

D. 382,259 * 8/1997 Nagai et al. D14/374
D. 403,309 * 3/1995 Takemasa et al. D14/374

FOREIGN PATENT DOCUMENTS

909158 * 10/1994 (JP) .
925931 * 5/1995 (JP) .

* cited by examiner

Primary Examiner—Freda Nunn

(74) *Attorney, Agent, or Firm*—Antonelli, Terry, Stout &
Kraus, LLP

(57) **CLAIM**

The ornamental design for a portable computer, as shown
and described.

DESCRIPTION

FIG. 1 is a front, top and right side perspective view of a
portable computer showing our new design;
FIG. 2 is a top view thereof;
FIG. 3 is a front elevational view thereof;
FIG. 4 is a bottom view thereof;
FIG. 5 is a right side elevational view thereof;
FIG. 6 is a rear side elevational view thereof; and,
FIG. 7 is a left side elevational view thereof.

1 Claim, 3 Drawing Sheets

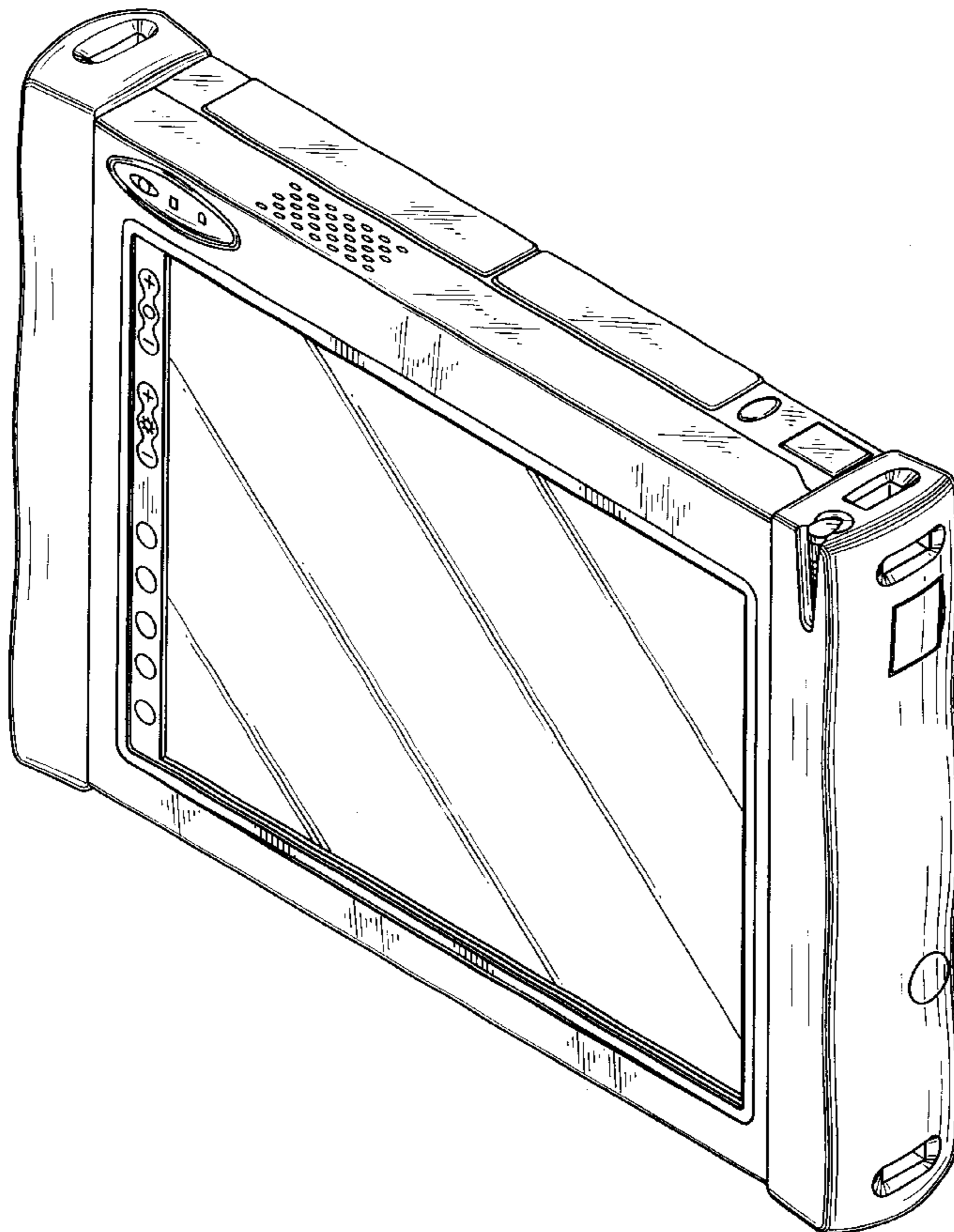


FIG. 1

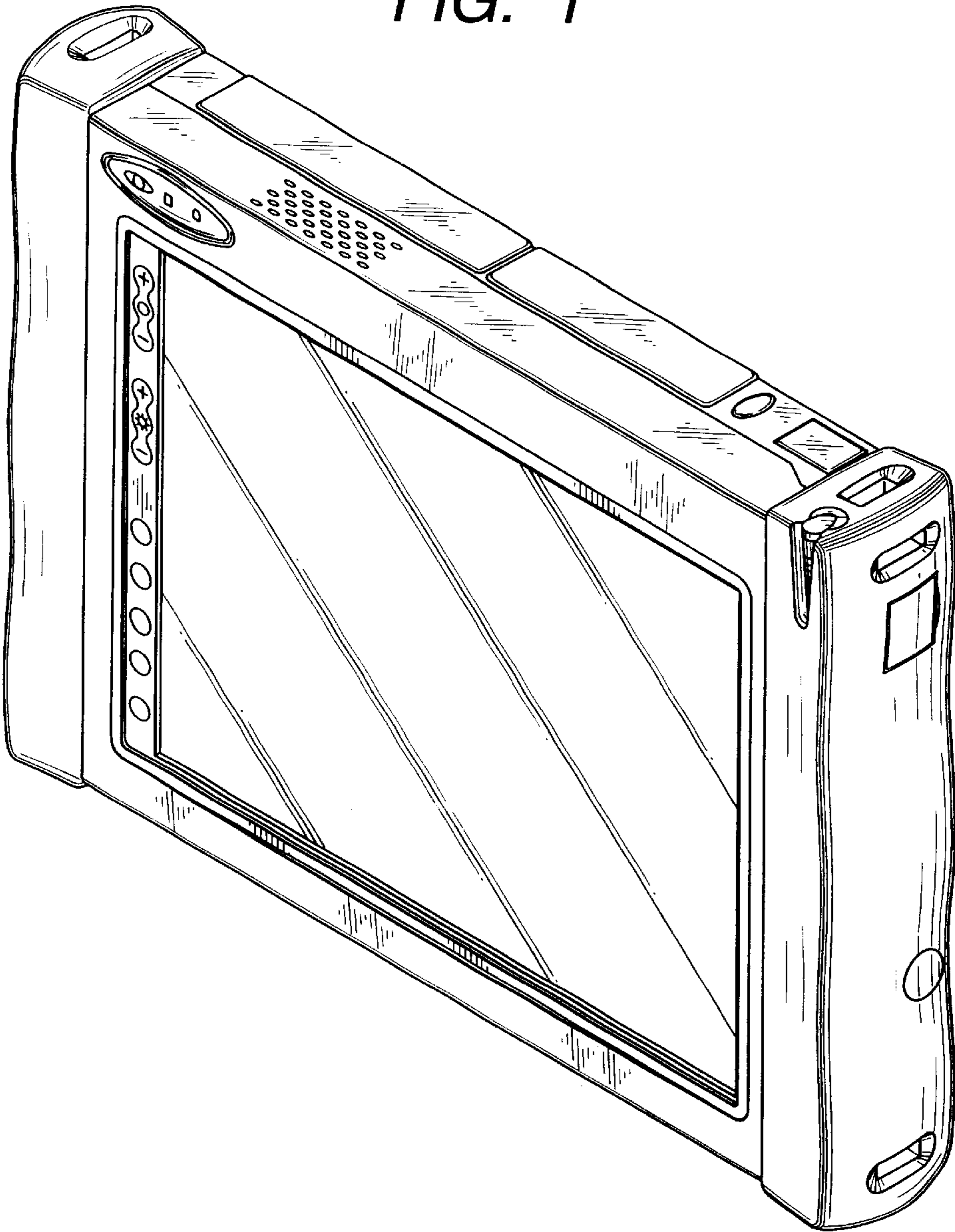


FIG. 2

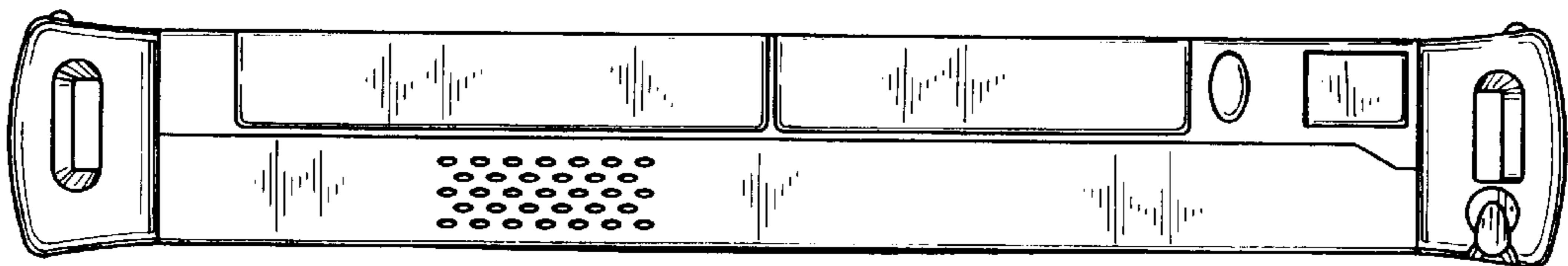


FIG. 3

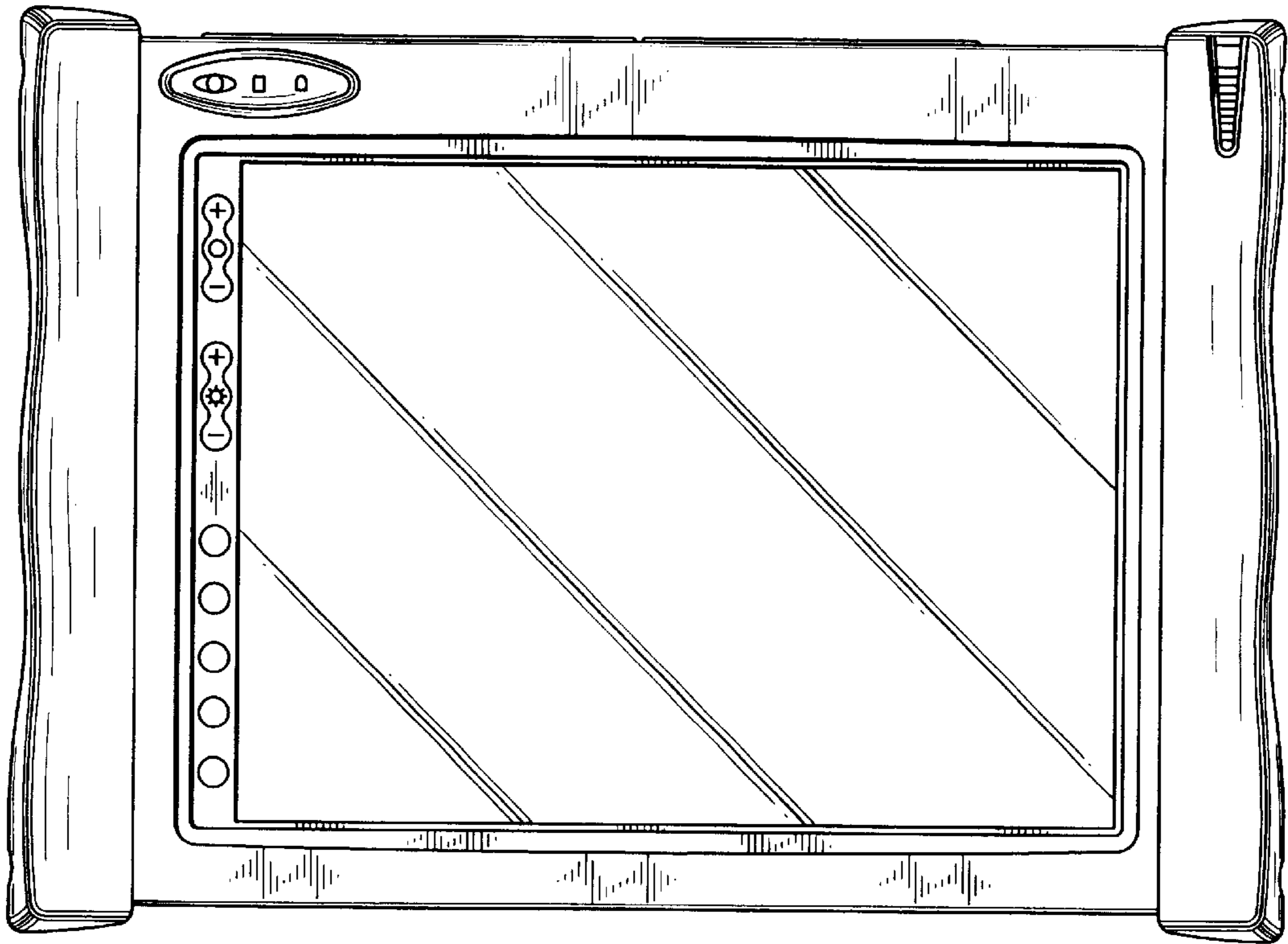


FIG. 4

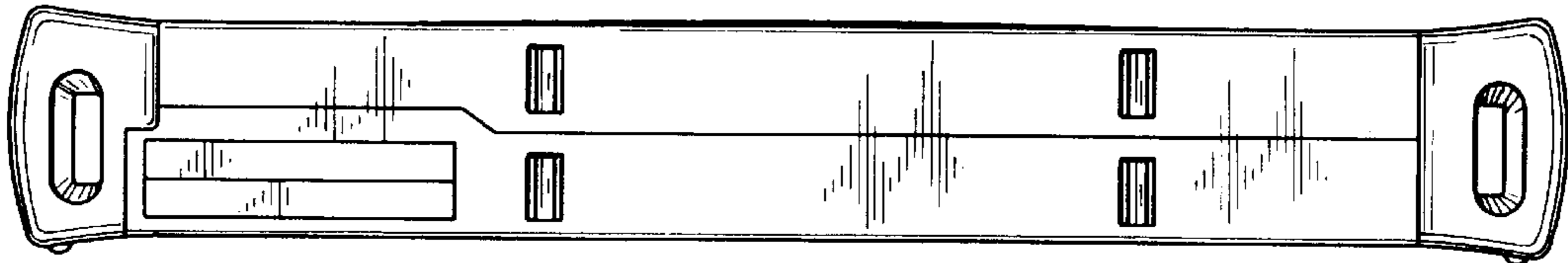


FIG. 7

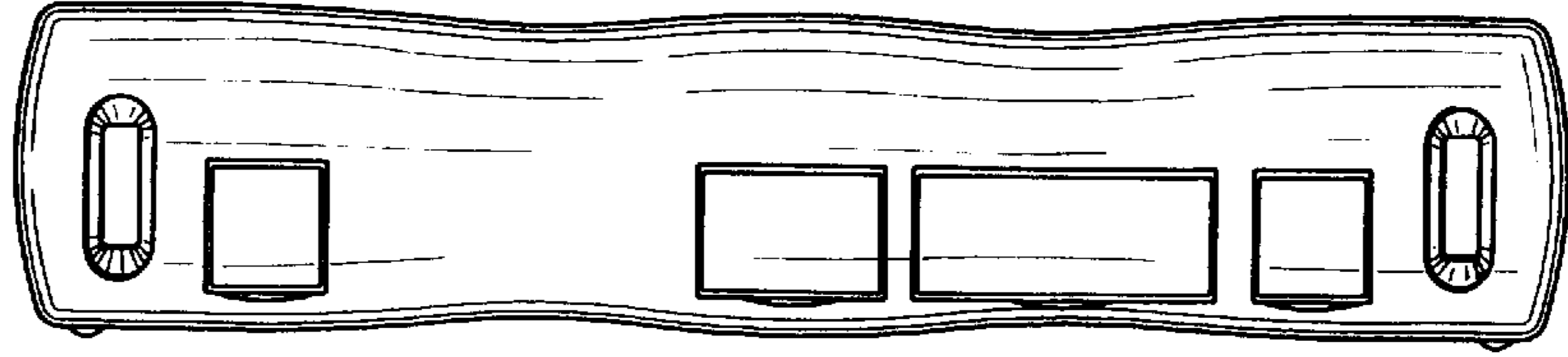


FIG. 6

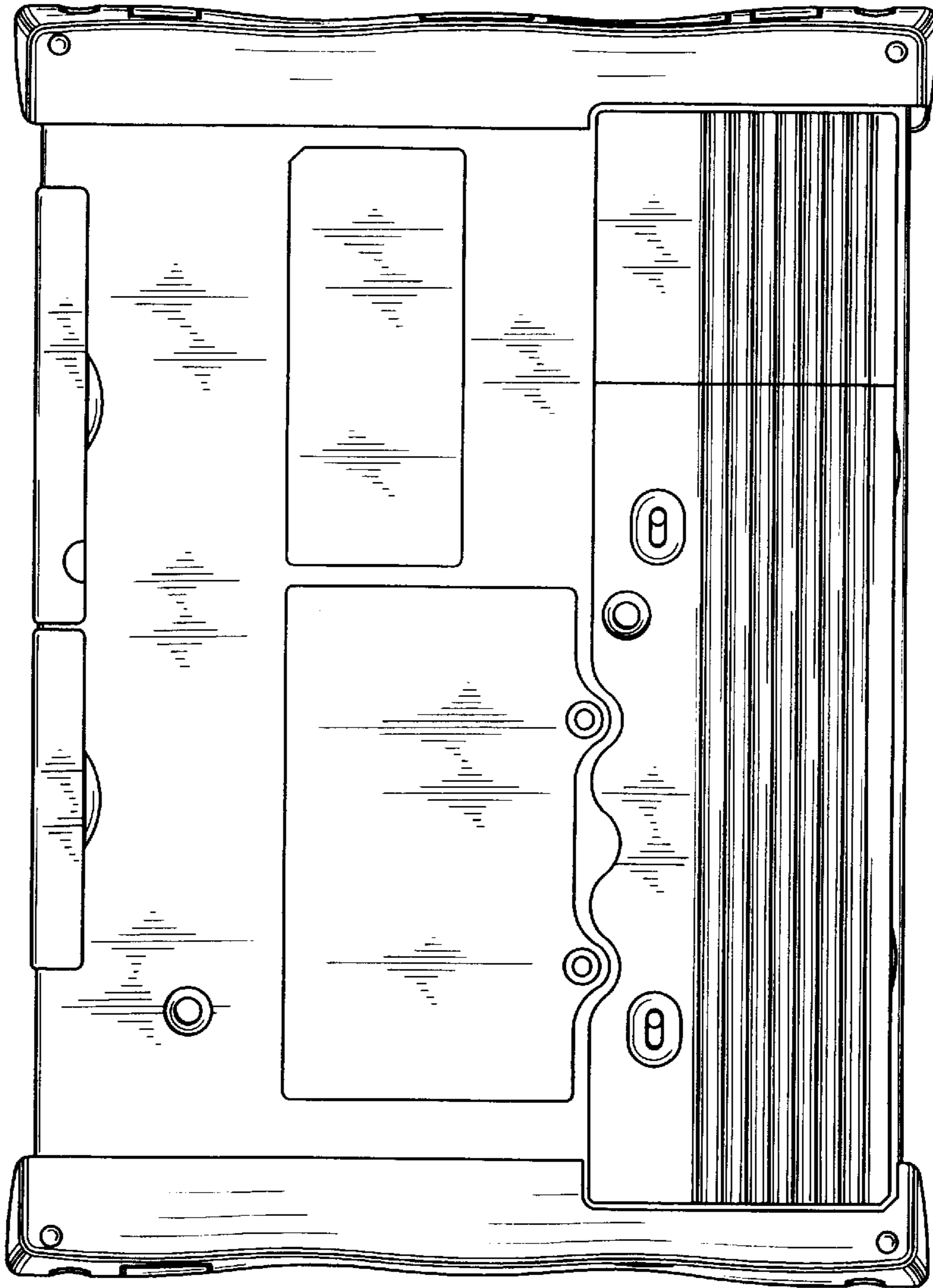


FIG. 5

