



US00D441358S

(12) **United States Design Patent**  
**Chu**

(10) **Patent No.:** **US D441,358 S**

(45) **Date of Patent:** **\*\* May 1, 2001**

(54) **PERSONAL COMPUTER**

(75) Inventor: **Ping-Chun Chu**, Taipei Hsien (TW)

(73) Assignee: **Meridian Technology Corp.**, Taipei Hsien (TW)

(\*\*) Term: **14 Years**

(21) Appl. No.: **29/126,020**

(22) Filed: **Jul. 6, 2000**

(51) **LOC (7) Cl.** ..... **14-02**

(52) **U.S. Cl.** ..... **D14/337**

(58) **Field of Search** ..... D14/337, 336,  
D14/351, 371, 374; D13/162, 184, 199;  
312/223.3; 360/99.12; 361/694, 696

(56) **References Cited**

**U.S. PATENT DOCUMENTS**

D. 295,863	*	5/1988	Sacherman	.....	D14/371
D. 354,949	*	1/1995	Yao	.....	D14/337
D. 384,338	*	9/1997	Oates et al.	.....	D14/337
D. 408,383	*	5/1999	Carter et al.	.....	D14/374

\* cited by examiner

*Primary Examiner*—Freda Nunn

(74) *Attorney, Agent, or Firm*—Darby & Darby

(57) **CLAIM**

The ornamental design for a personal computer, as shown and described.

**DESCRIPTION**

FIG. 1 is a perspective view of personal computer showing my new design;

FIG. 2 is a front elevational view thereof;

FIG. 3 is a rear elevational view thereof;

FIG. 4 is a left side elevational view thereof;

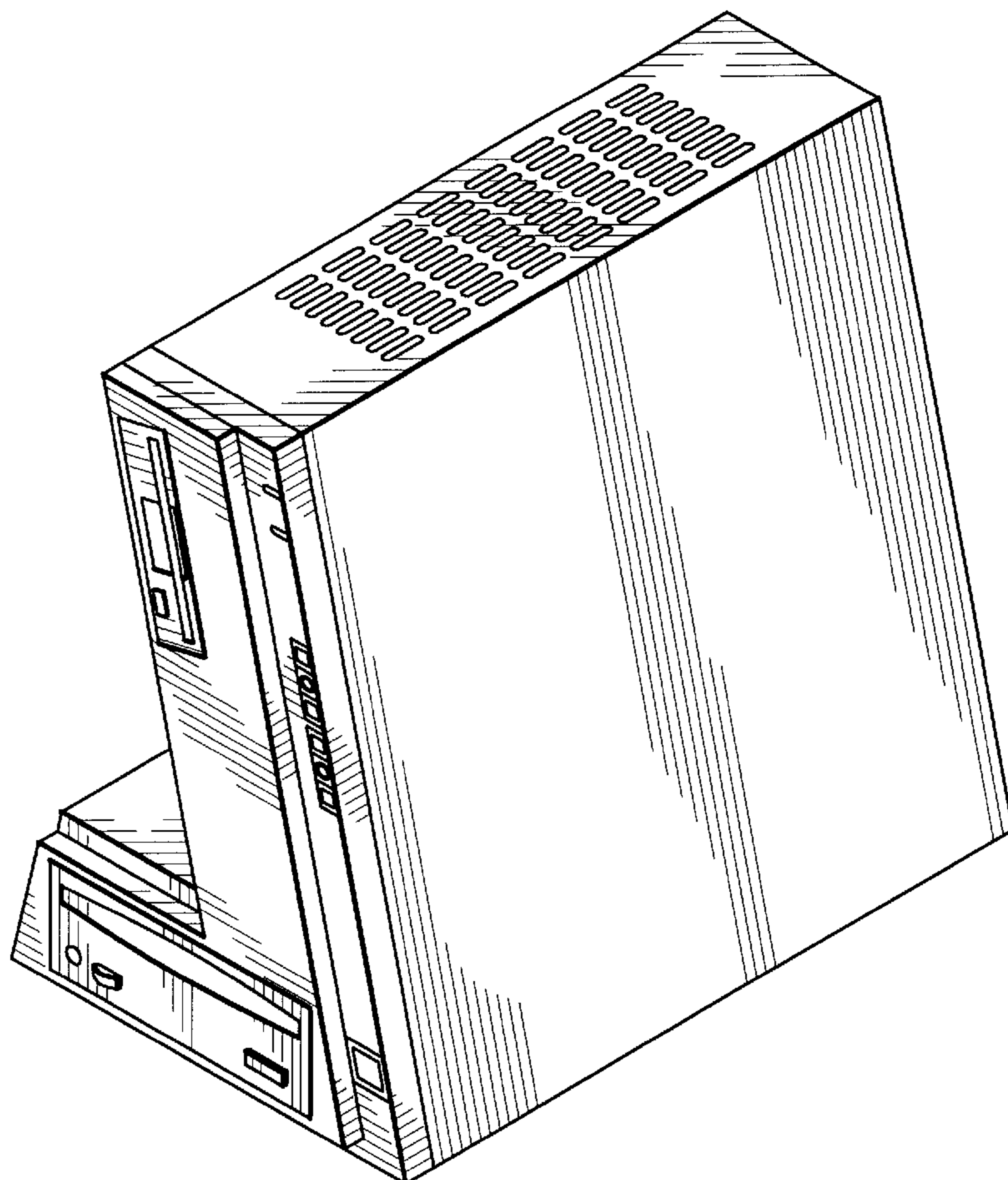
FIG. 5 is a right side elevational view thereof;

FIG. 6 is a top plan view thereof;

FIG. 7 is a bottom plan view thereof; and,

FIG. 8 is another perspective view in use. Wherein the broken lines are shown for illustrative purposes only and form no part of the claimed design.

**1 Claim, 5 Drawing Sheets**



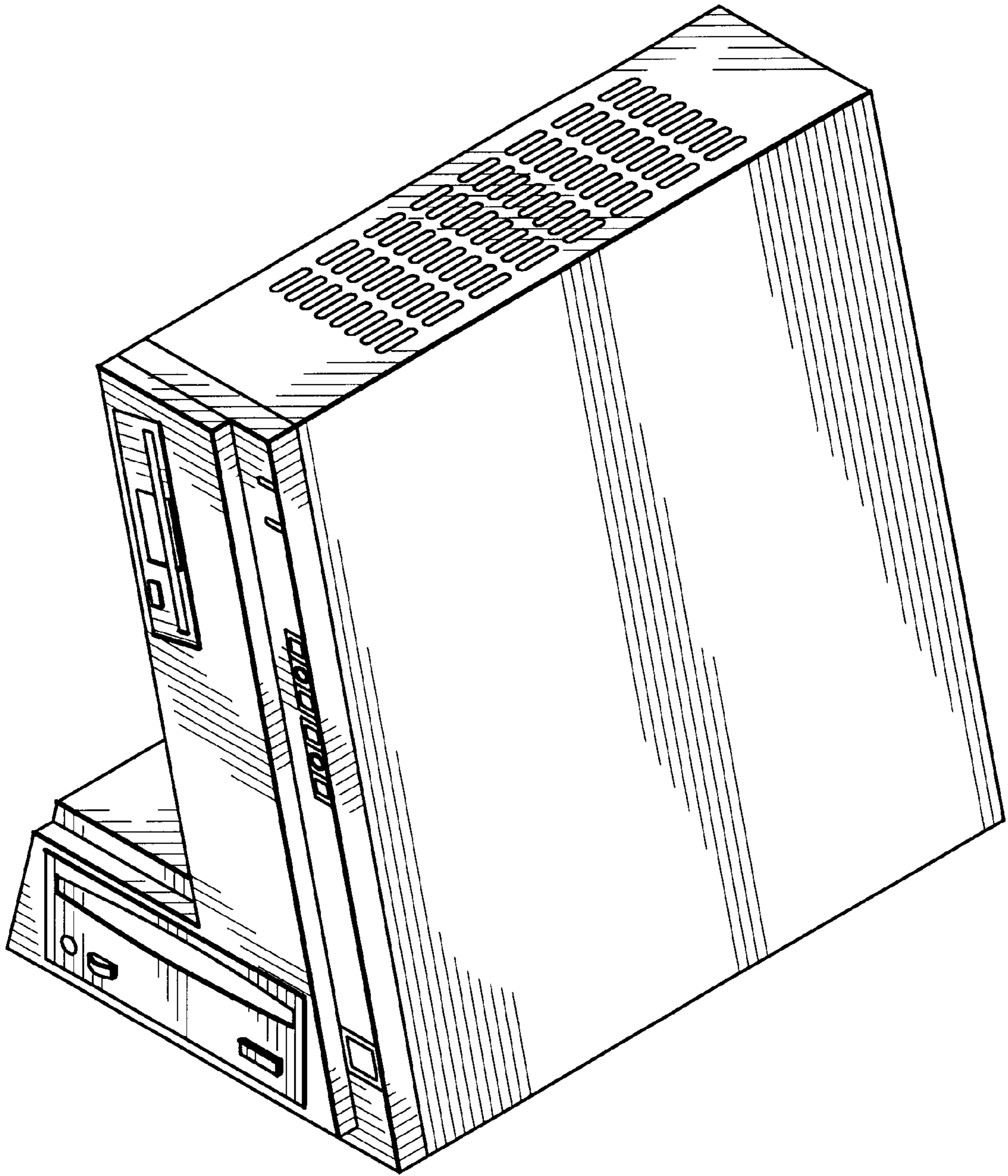


FIG. 1

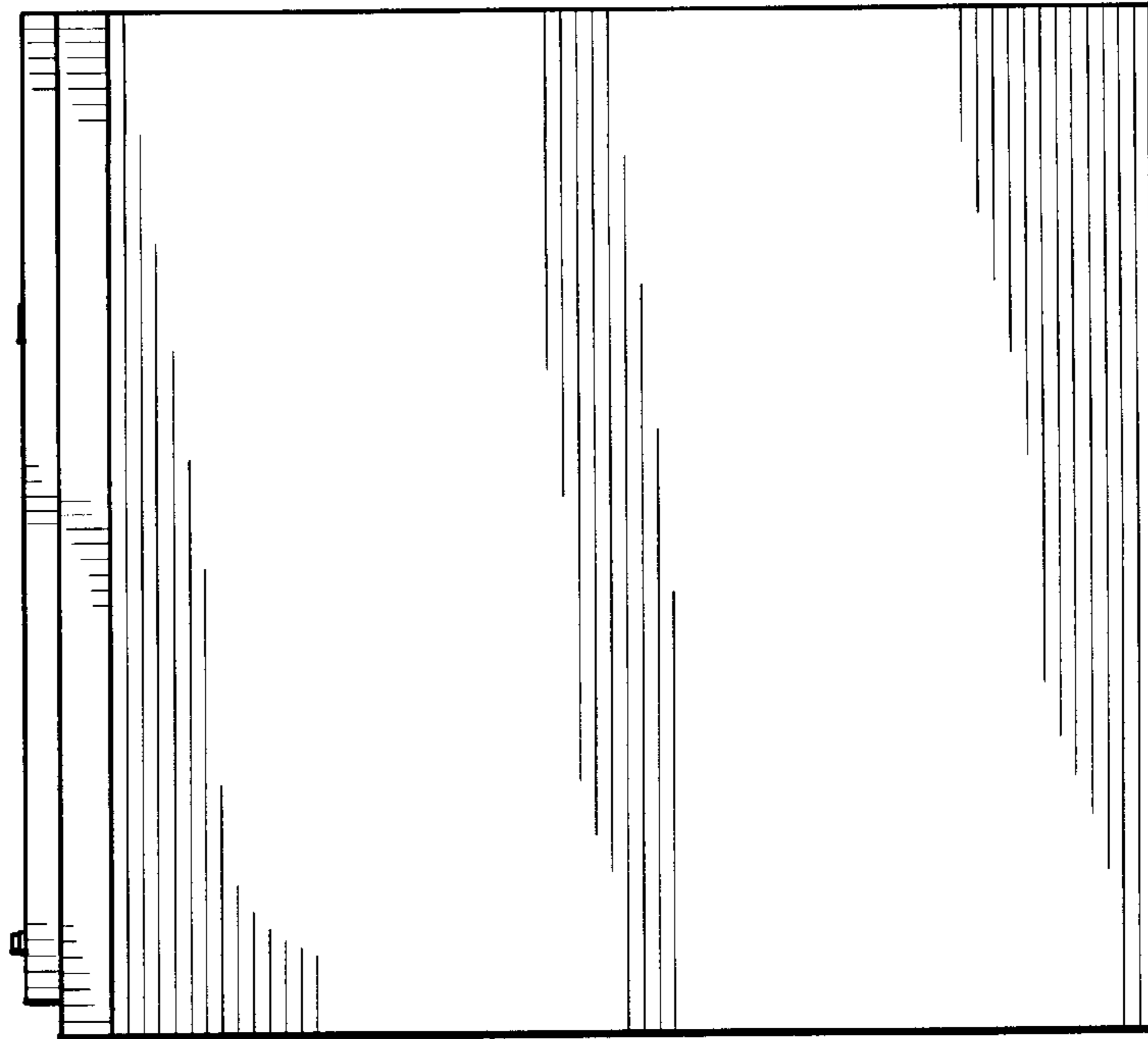


FIG. 2

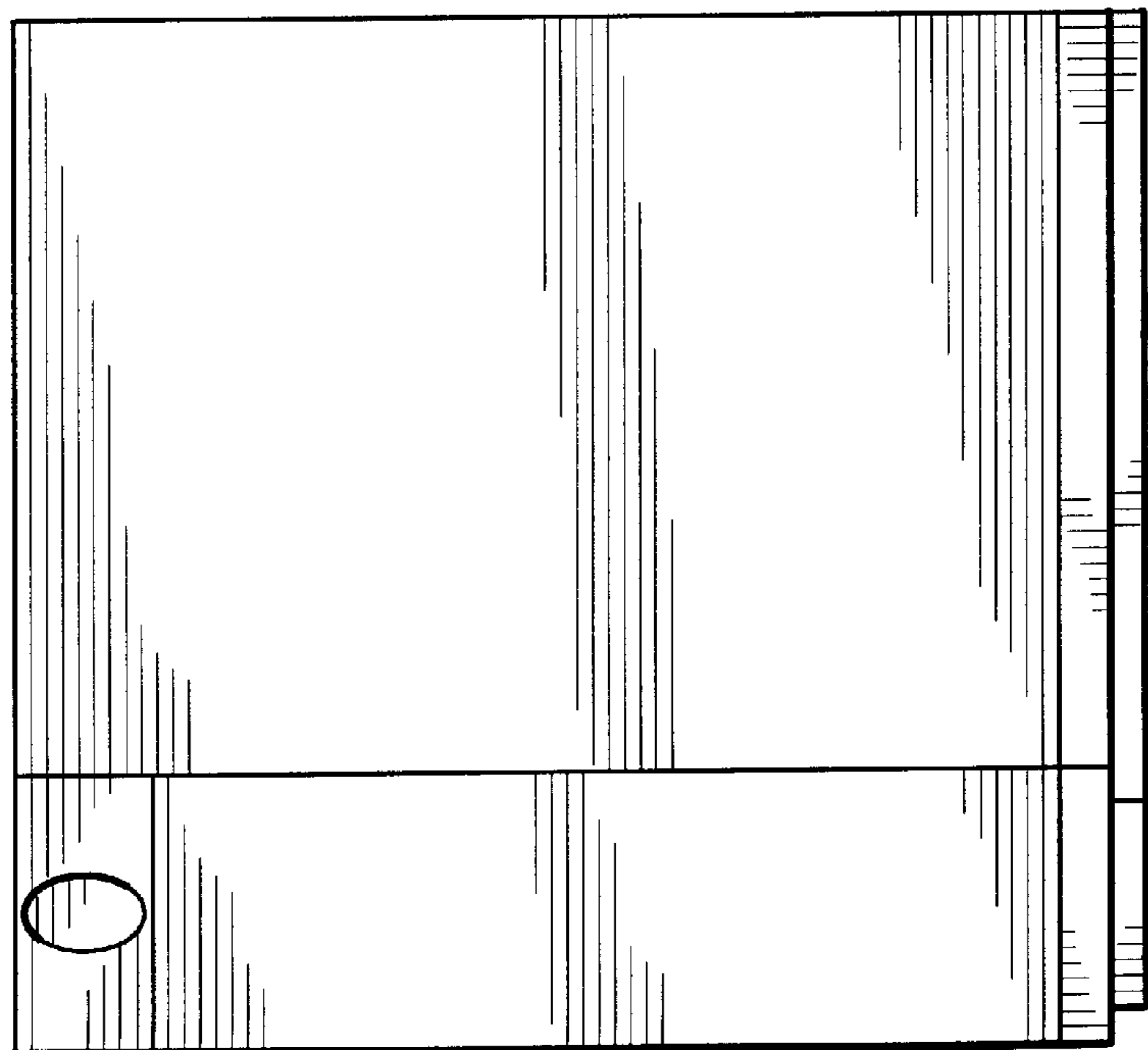


FIG. 3

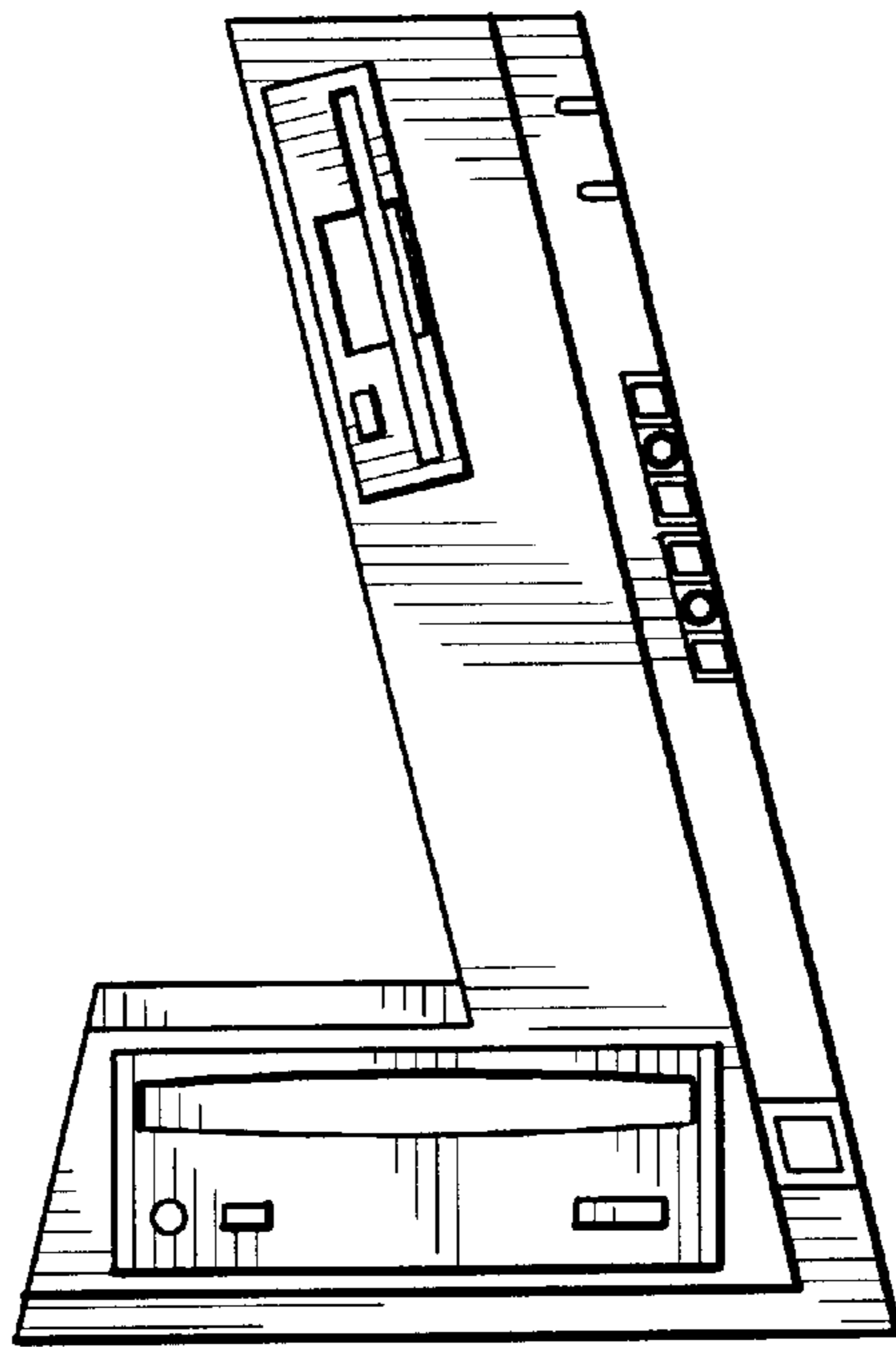


FIG. 4

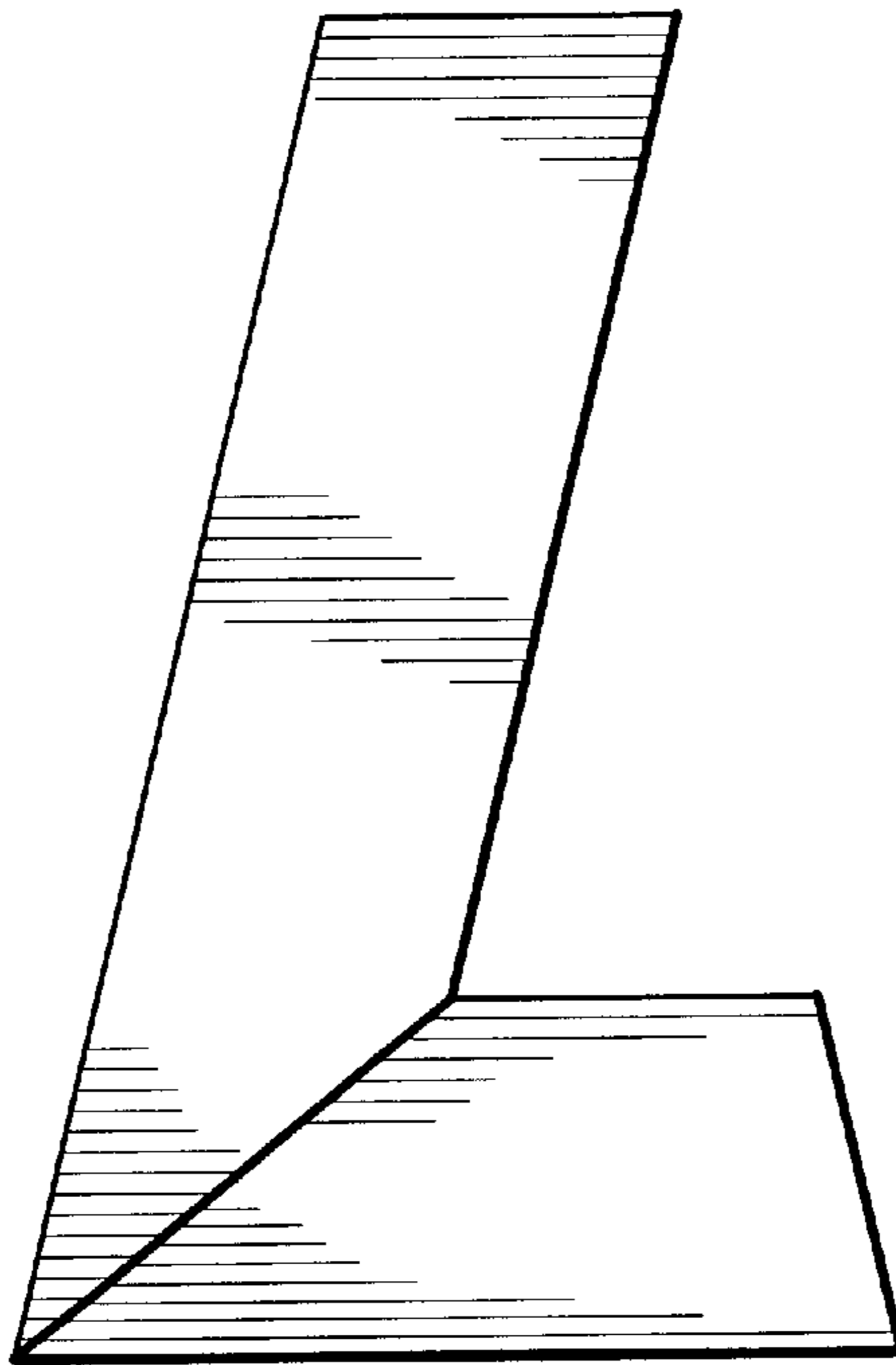


FIG. 5

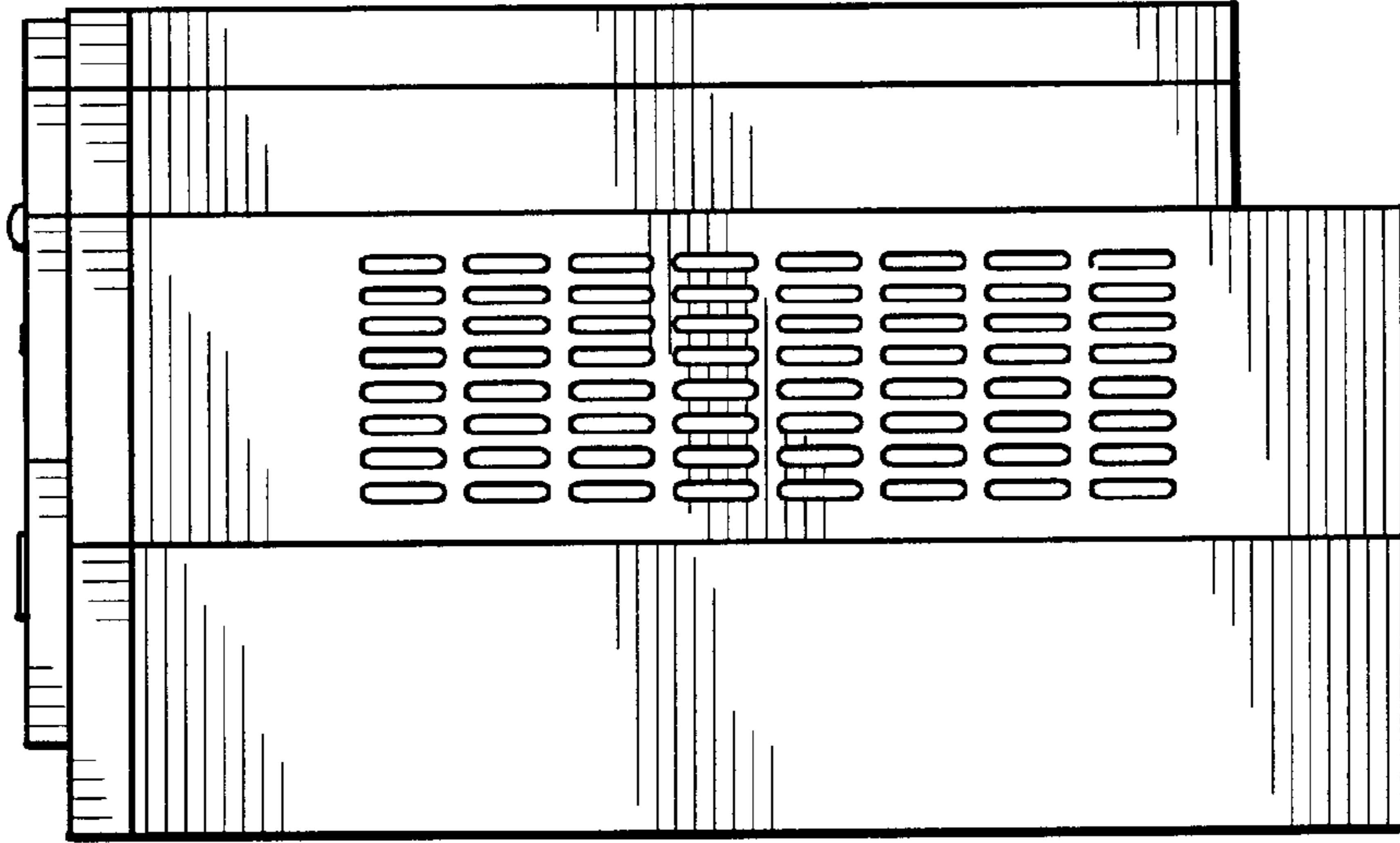


FIG. 6

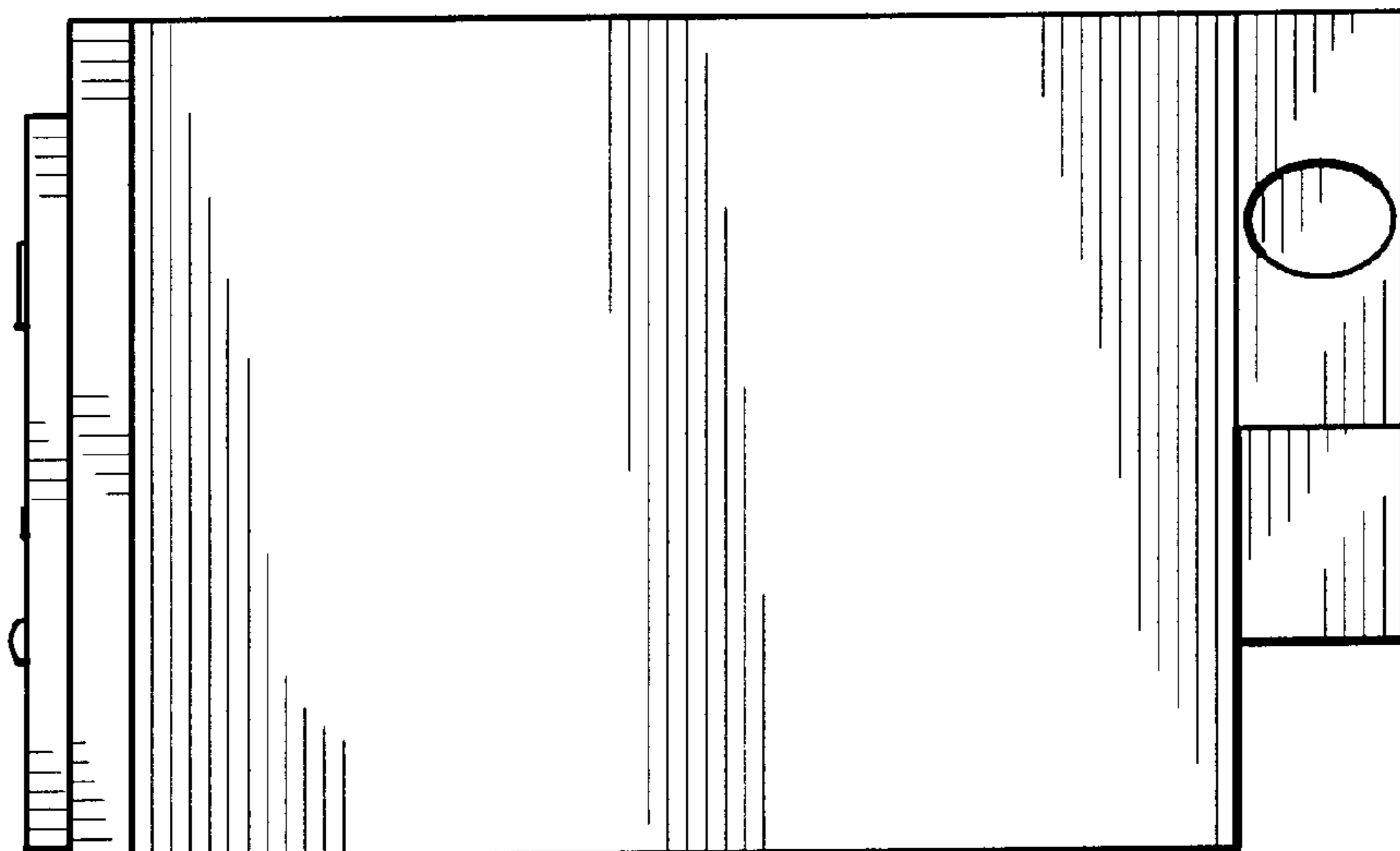
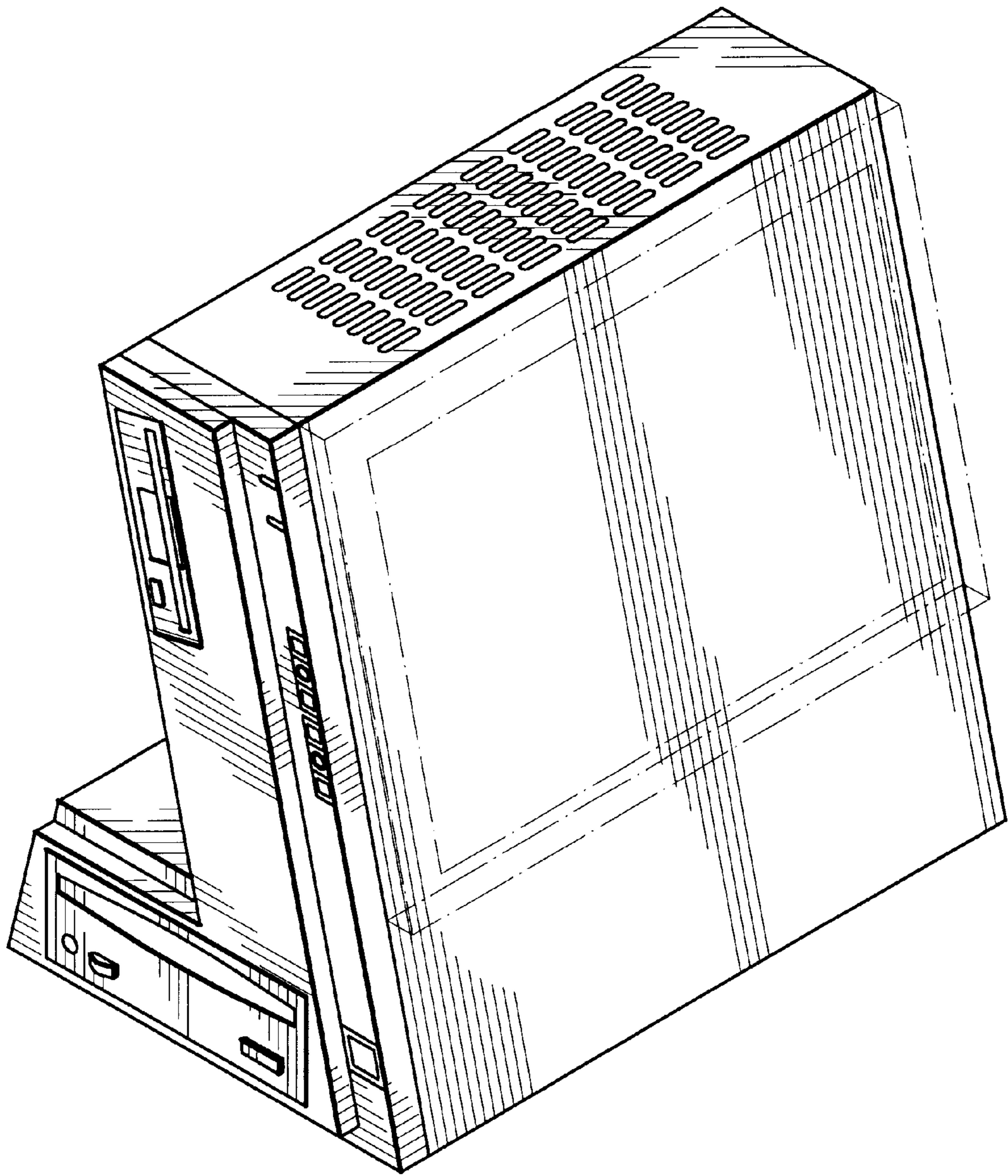


FIG. 7



F I G. 8