



US00D441355S

(12) **United States Design Patent**  
**Smith**

(10) **Patent No.:** **US D441,355 S**

(45) **Date of Patent:** **\*\* May 1, 2001**

(54) **DISH ANTENNA RECEIVER**

(76) Inventor: **Lee G. Smith**, 776 S. Military Trail,  
Deerfield Beach, FL (US) 33442

(\*\*) Term: **14 Years**

(21) Appl. No.: **29/117,630**

(22) Filed: **Jan. 28, 2000**

(51) **LOC (7) Cl.** ..... **14-03**

(52) **U.S. Cl.** ..... **D14/231; D14/230**

(58) **Field of Search** ..... **D14/230-238,**  
**D14/137; 343/840, 702**

(56) **References Cited**

**U.S. PATENT DOCUMENTS**

D. 310,671	*	9/1990	Weiss	.....	D14/230
D. 378,368	*	3/1997	McGreevy	.....	D14/137
D. 424,554	*	5/2000	Overton et al.	.....	D14/137

\* cited by examiner

*Primary Examiner*—Louis S. Zarfaz  
*Assistant Examiner*—Gregory Andoll

(74) *Attorney, Agent, or Firm*—Norris, McLaughlin & Marcus

(57) **CLAIM**

I claim the ornamental design for a dish antenna receiver, as shown and described.

**DESCRIPTION**

FIG. 1 is a perspective view of the dish antenna receiver of the present invention;  
 FIG. 2 is a front end elevational view of the dish antenna receiver;  
 FIG. 3 is a back end elevational view of the dish antenna receiver;  
 FIG. 4 is a side elevational view of one side of the dish antenna receiver;  
 FIG. 5 is a side elevational view of the other side of the dish antenna receiver;  
 FIG. 6 is a top plan view of the dish antenna receiver; and,  
 FIG. 7 is a bottom plan view of the dish antenna receiver.

**1 Claim, 4 Drawing Sheets**

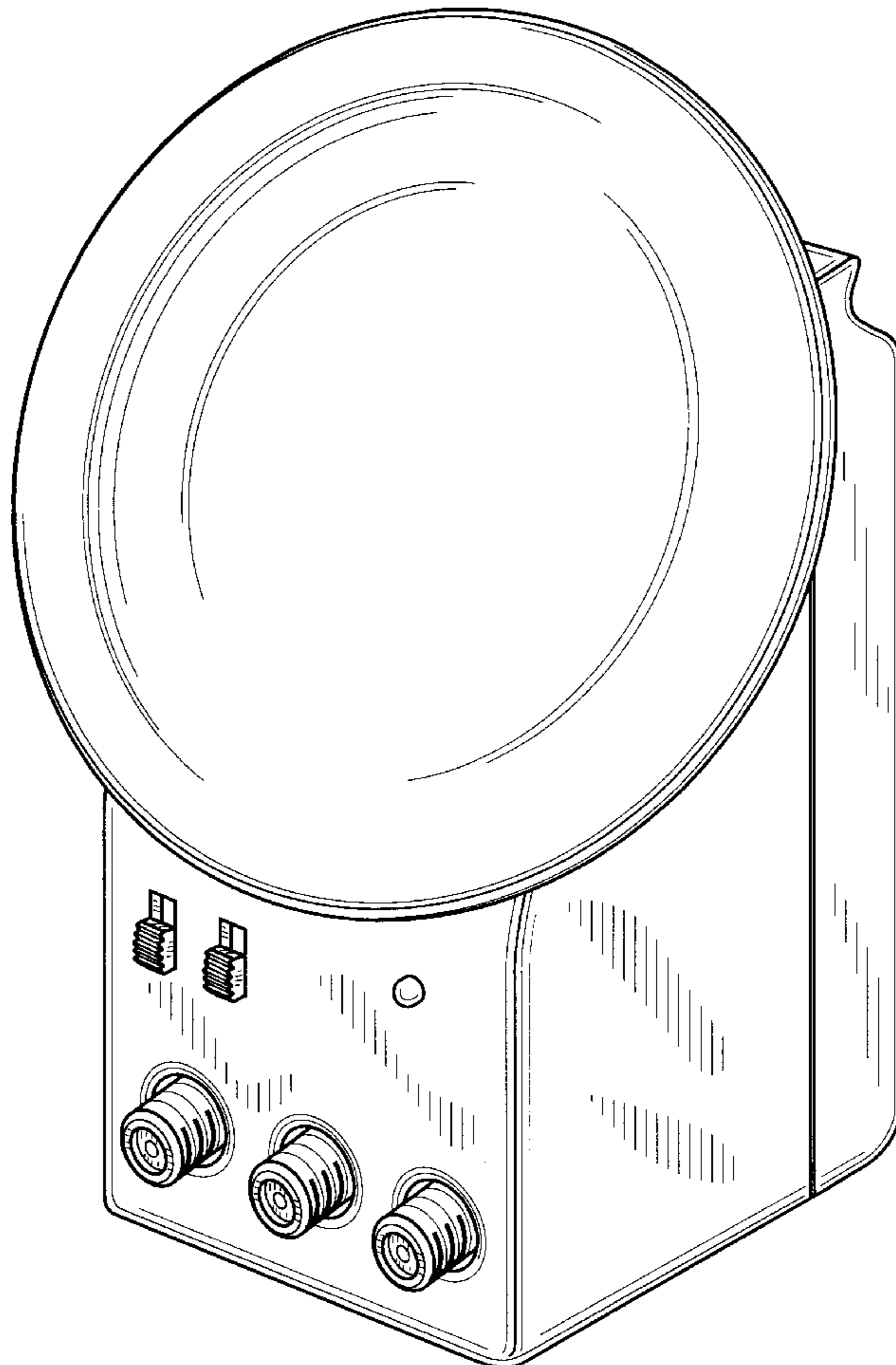
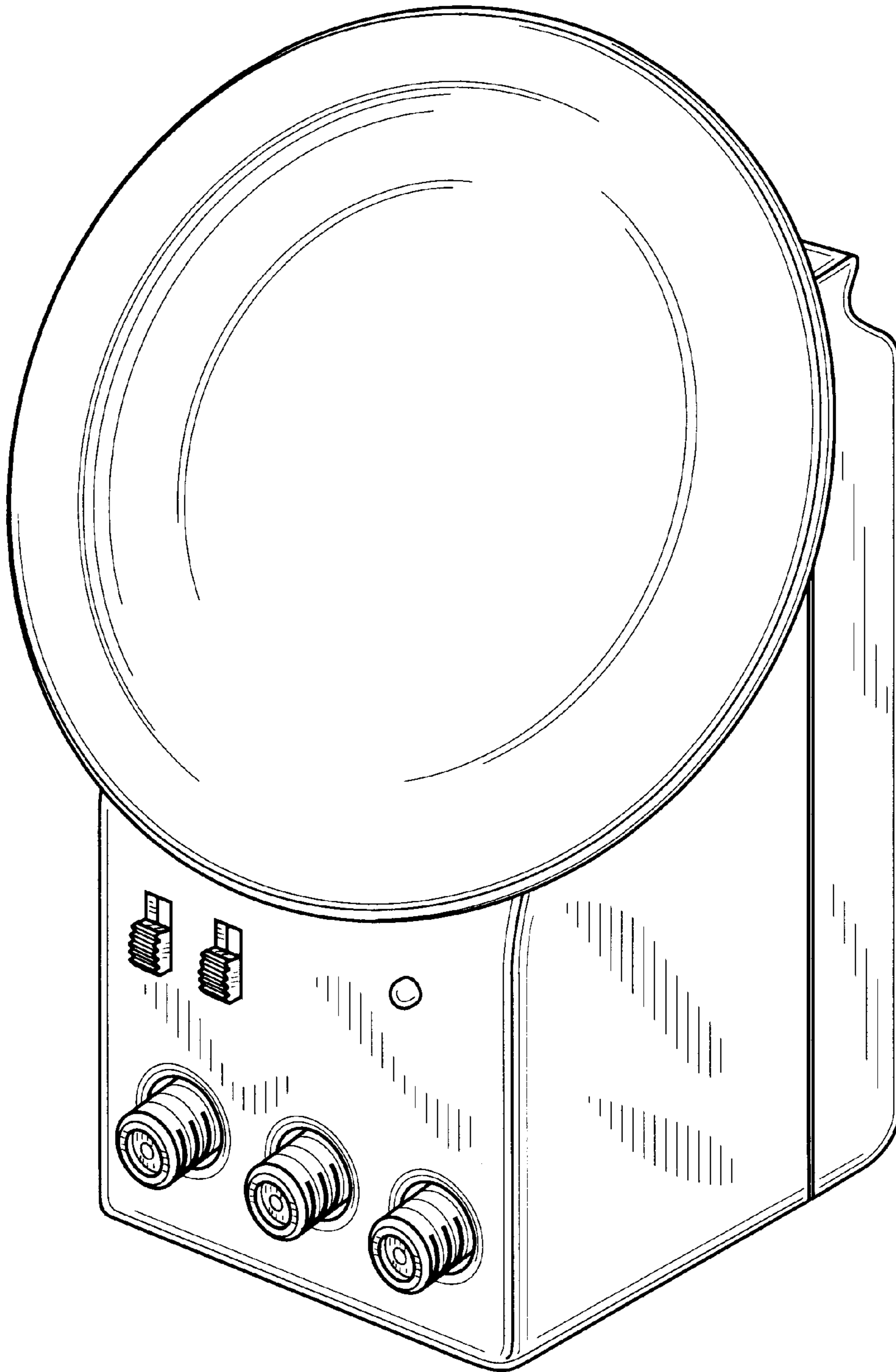


FIG. 1



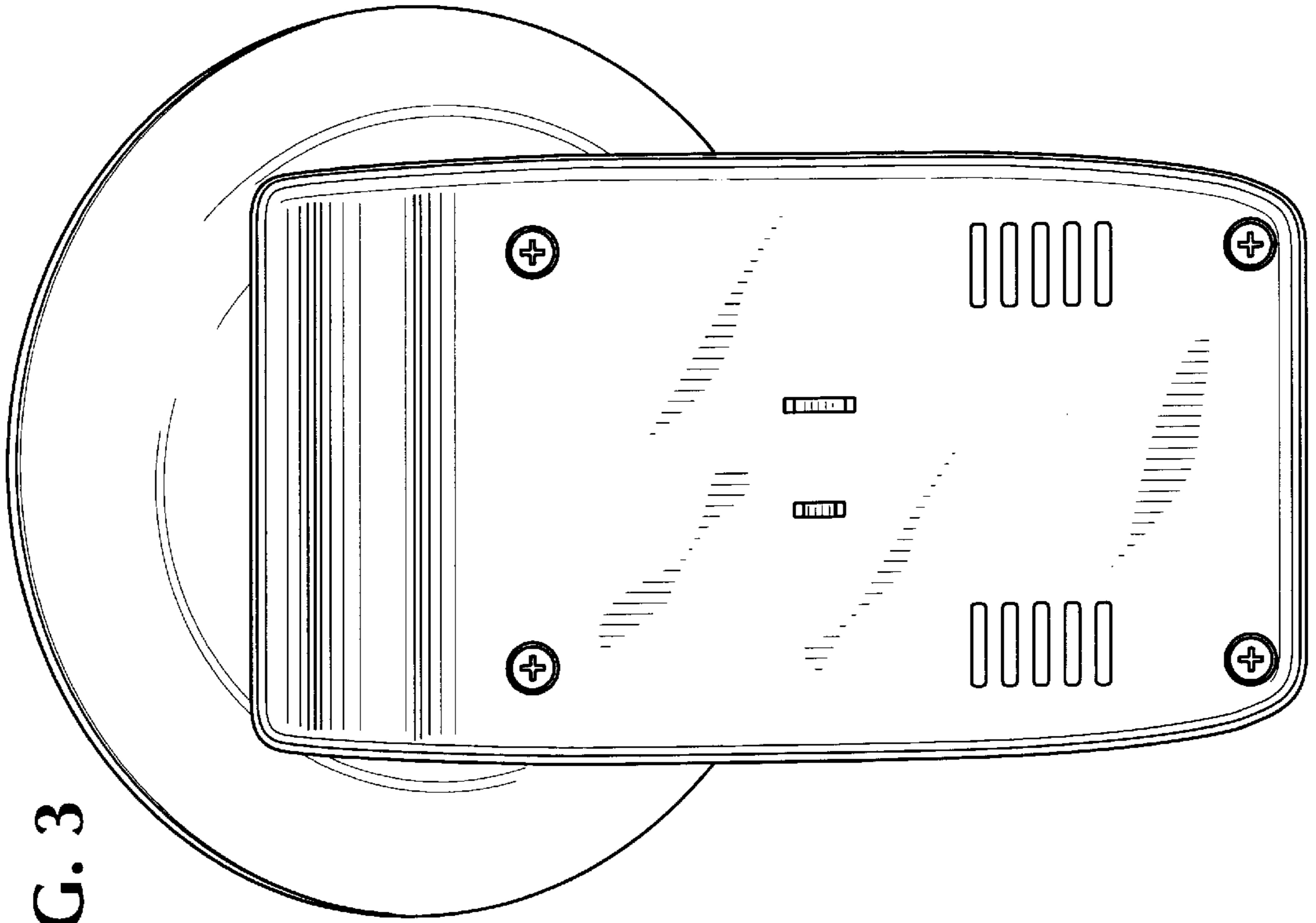


FIG. 3

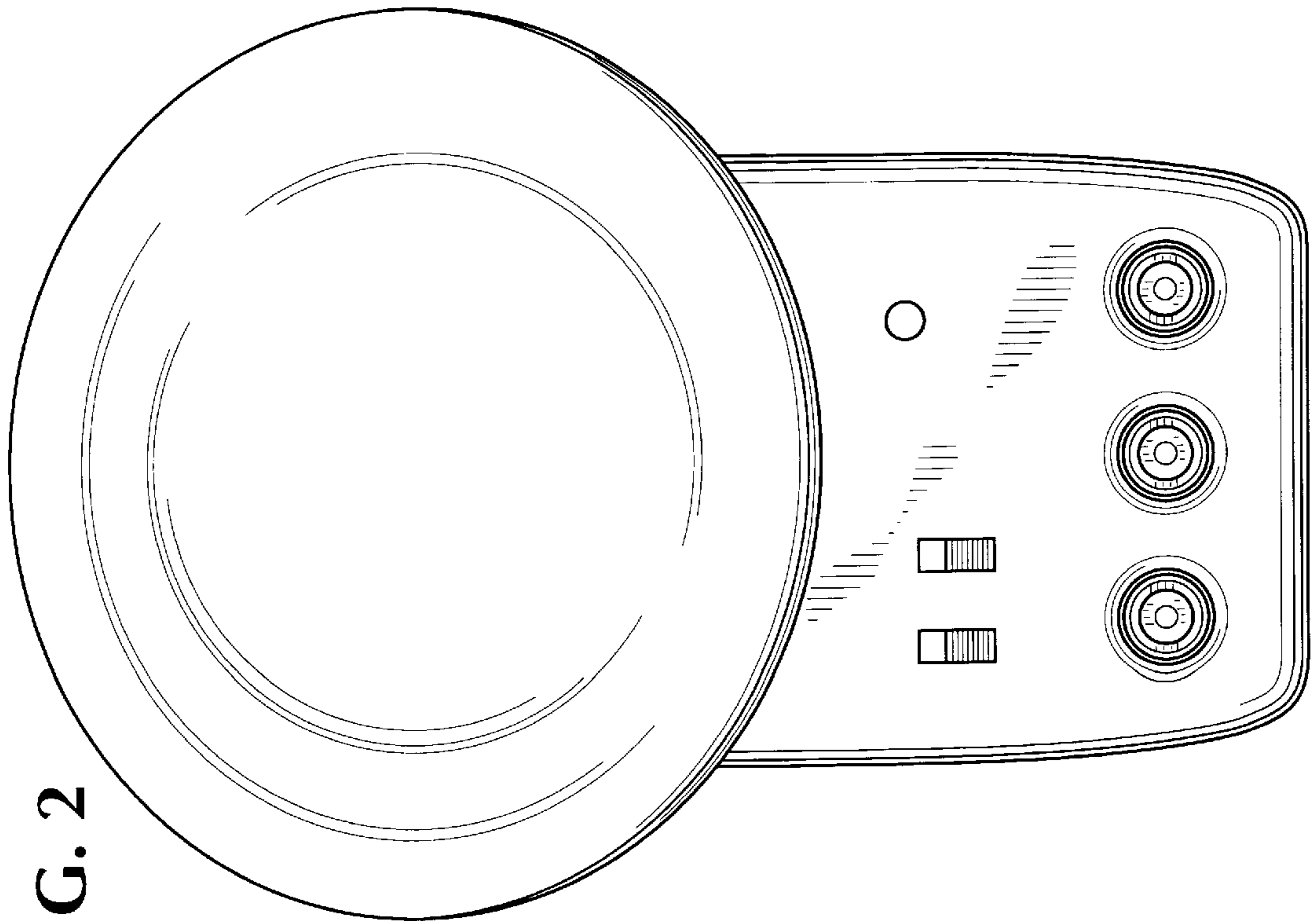


FIG. 2

FIG. 5

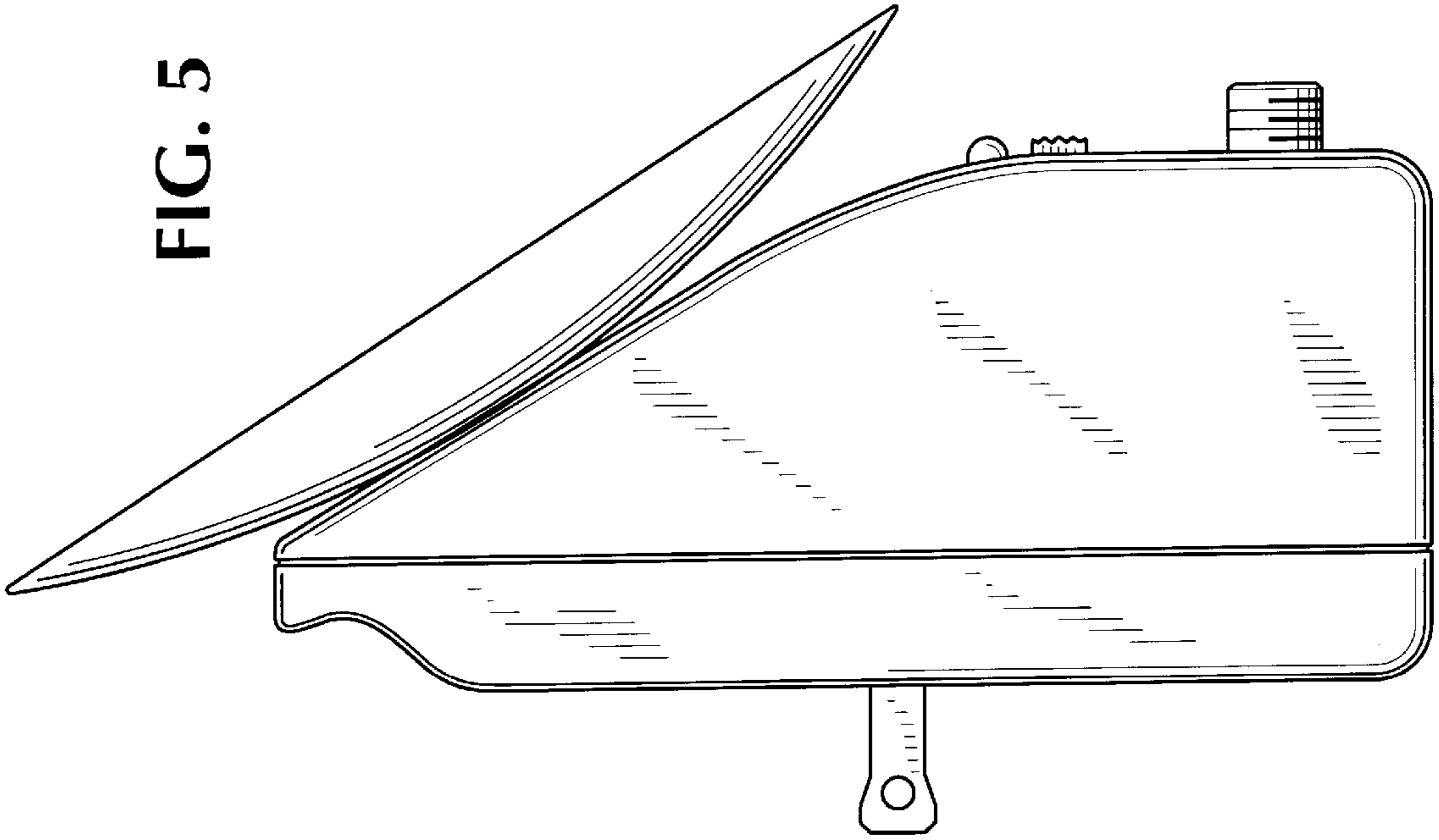


FIG. 4

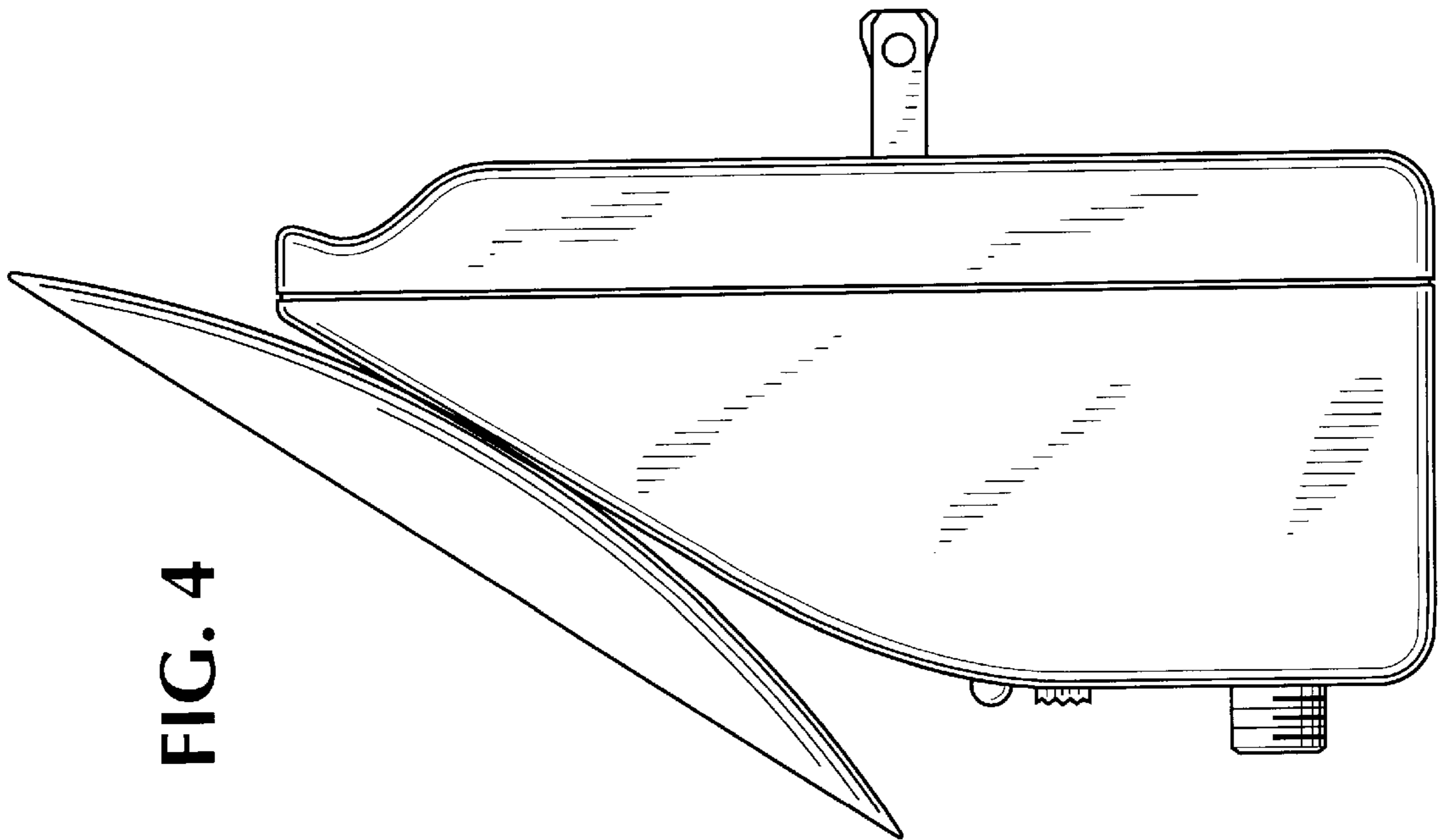


FIG. 6

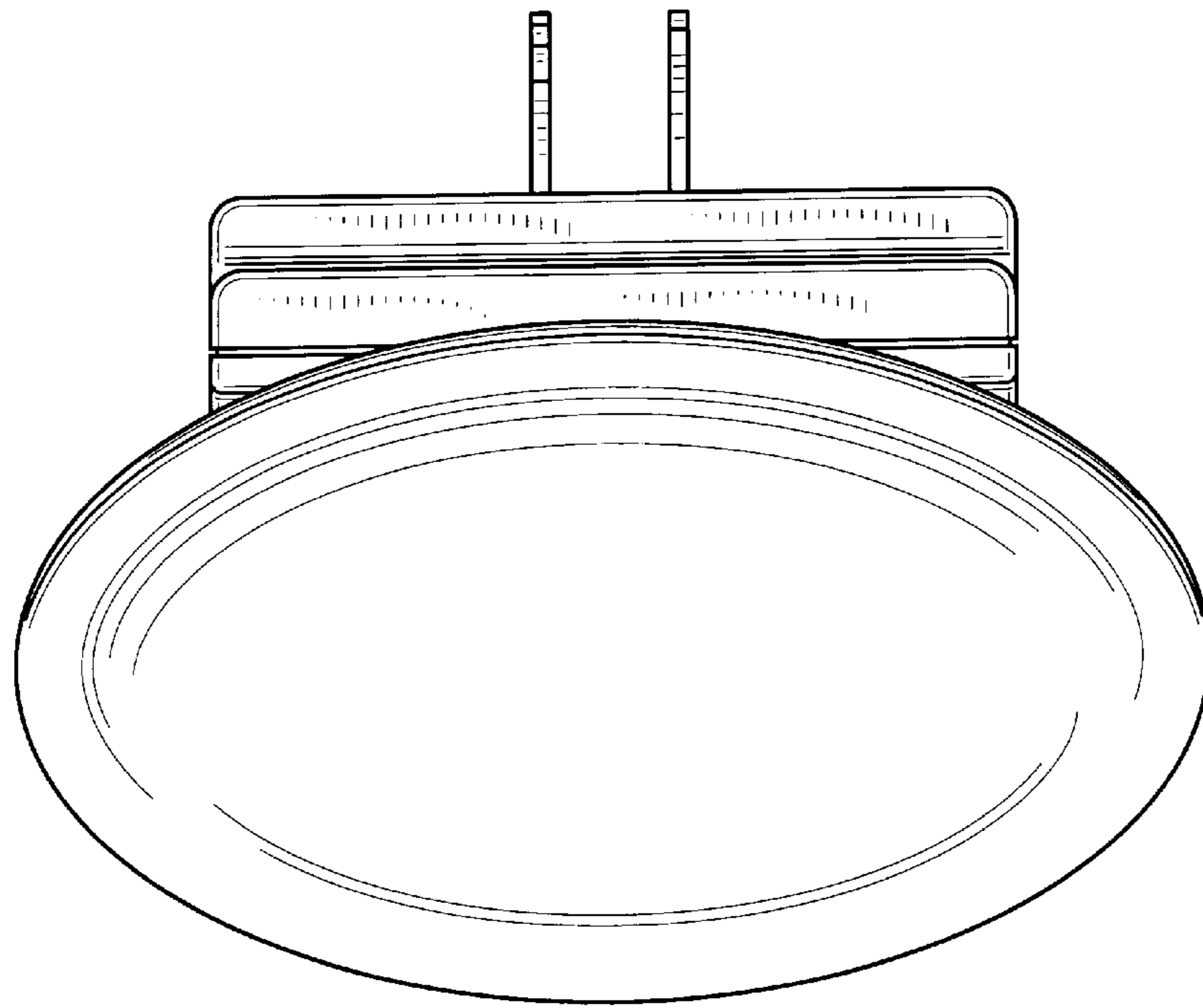


FIG. 7

