



US00D441351S

(12) **United States Design Patent**
Ito et al.

(10) **Patent No.:** **US D441,351 S**
(45) **Date of Patent:** **** May 1, 2001**

(54) **COMBINED DIGITAL AUDIO DISC PLAYER, AMPLIFIER AND TUNER**

(75) Inventors: **Masafumi Ito; Hiroyuki Watanabe; Yukio Iikura**, all of Musashino (JP)

(73) Assignee: **TEAC Corporation**, Tokyo (JP)

(**) Term: **14 Years**

(21) Appl. No.: **29/127,920**

(22) Filed: **Aug. 15, 2000**

(30) **Foreign Application Priority Data**

Feb. 17, 2000 (JP) 12-008149
Feb. 17, 2000 (JP) 12-008150

(51) **LOC (7) Cl.** **14-01**

(52) **U.S. Cl.** **D14/168**

(58) **Field of Search** D14/135, 136,
D14/156, 160-162, 164, 167-168, 188,
197-198, 260, 265; 369/75.1, 75.2, 77.1,
77.2; 455/344, 347, 350, 351

(56) **References Cited**

U.S. PATENT DOCUMENTS

D. 327,684 * 7/1992 Tatsuka D14/168

D. 328,747 * 8/1992 Ito et al. D14/188
D. 423,006 * 4/2000 Matsuoka D14/168
D. 425,061 * 5/2000 Ito et al. D14/156
5,177,730 * 1/1993 Utsugi 369/77.1

* cited by examiner

Primary Examiner—Nanda Bondade
(74) *Attorney, Agent, or Firm*—Ladas & Parry

(57) **CLAIM**

The ornamental design for a combined digital audio disc player, amplifier and tuner, as shown and described.

DESCRIPTION

FIG. 1 is a perspective view of a combined digital audio disc player, amplifier and tuner showing our new design;
FIG. 2 is a front view of FIG. 1;
FIG. 3 is a rear view of FIG. 1;
FIG. 4 is a bottom view of FIG. 1;
FIG. 5 is a top view of FIG. 1;
FIG. 6 is a right side view of FIG. 1; and,
FIG. 7 is a left side view of FIG. 1.

1 Claim, 2 Drawing Sheets

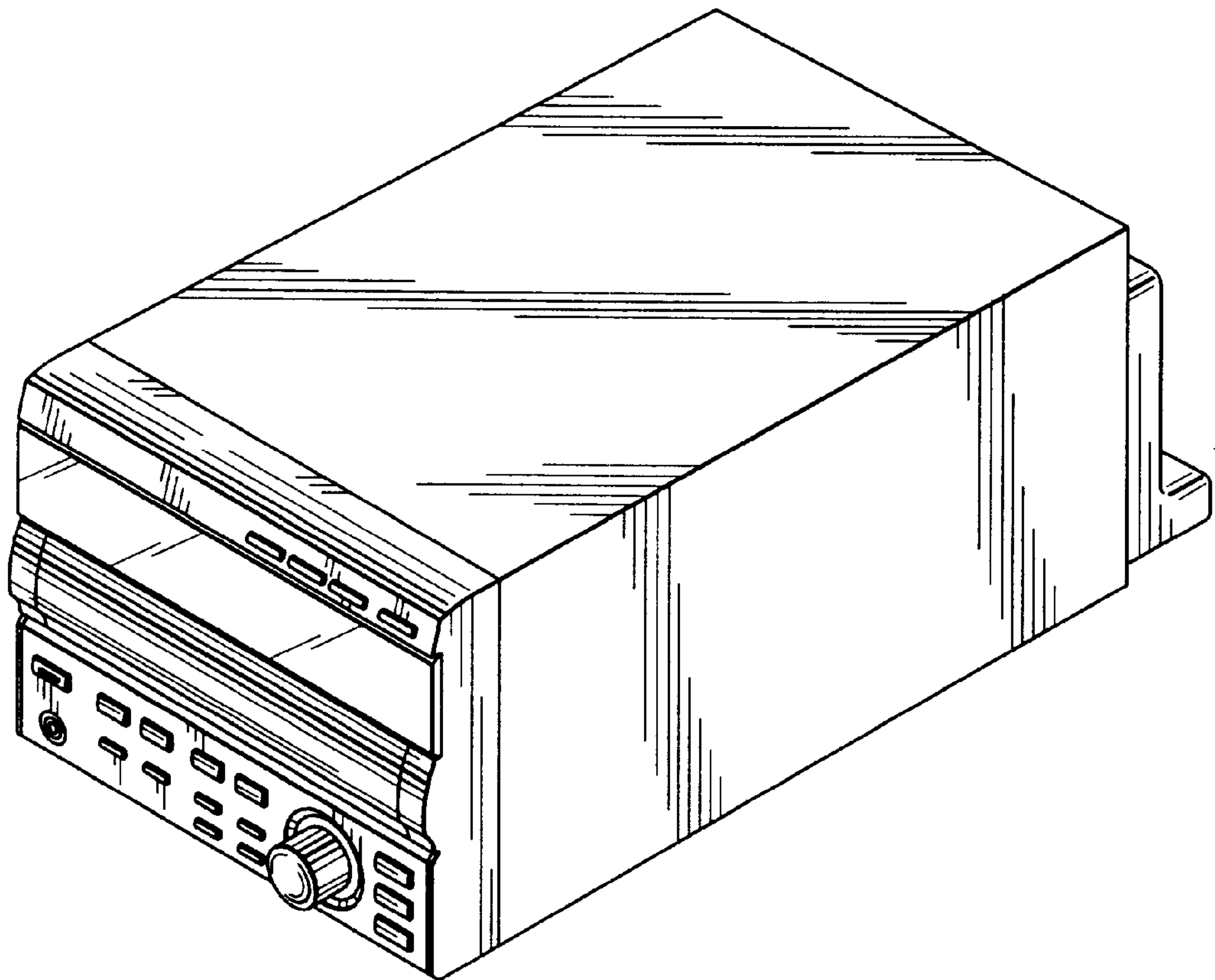


FIG. 1

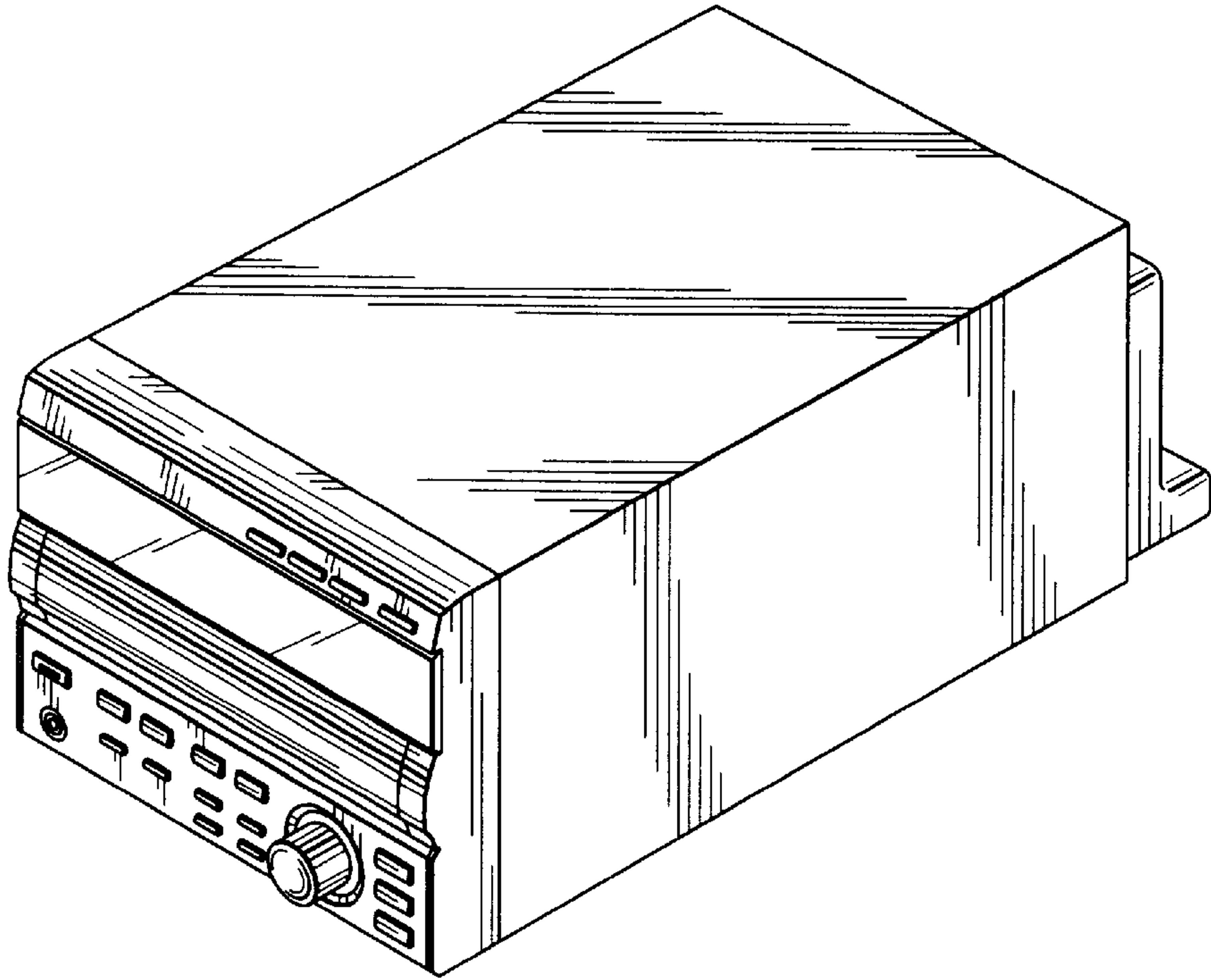


FIG. 2

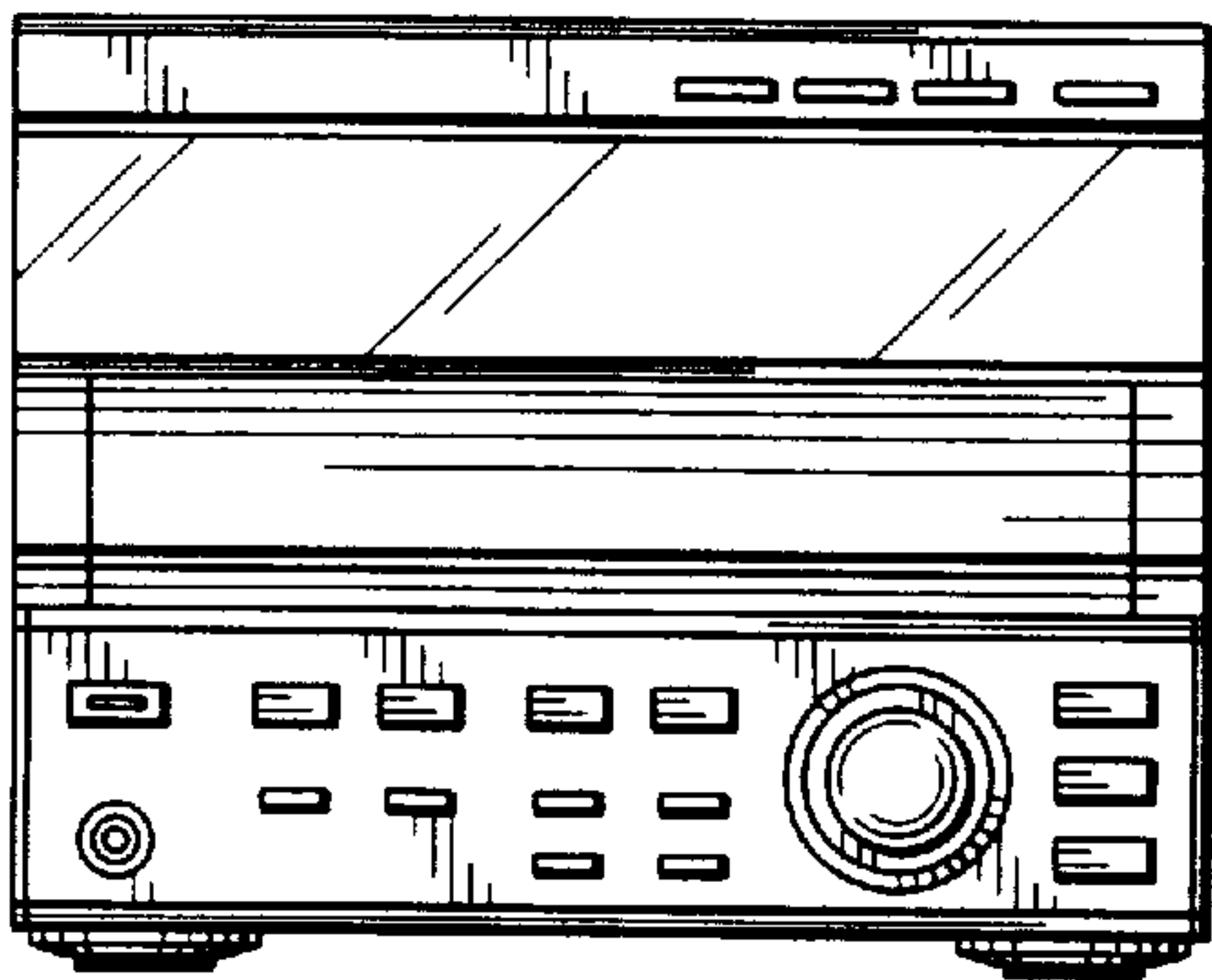


FIG. 3

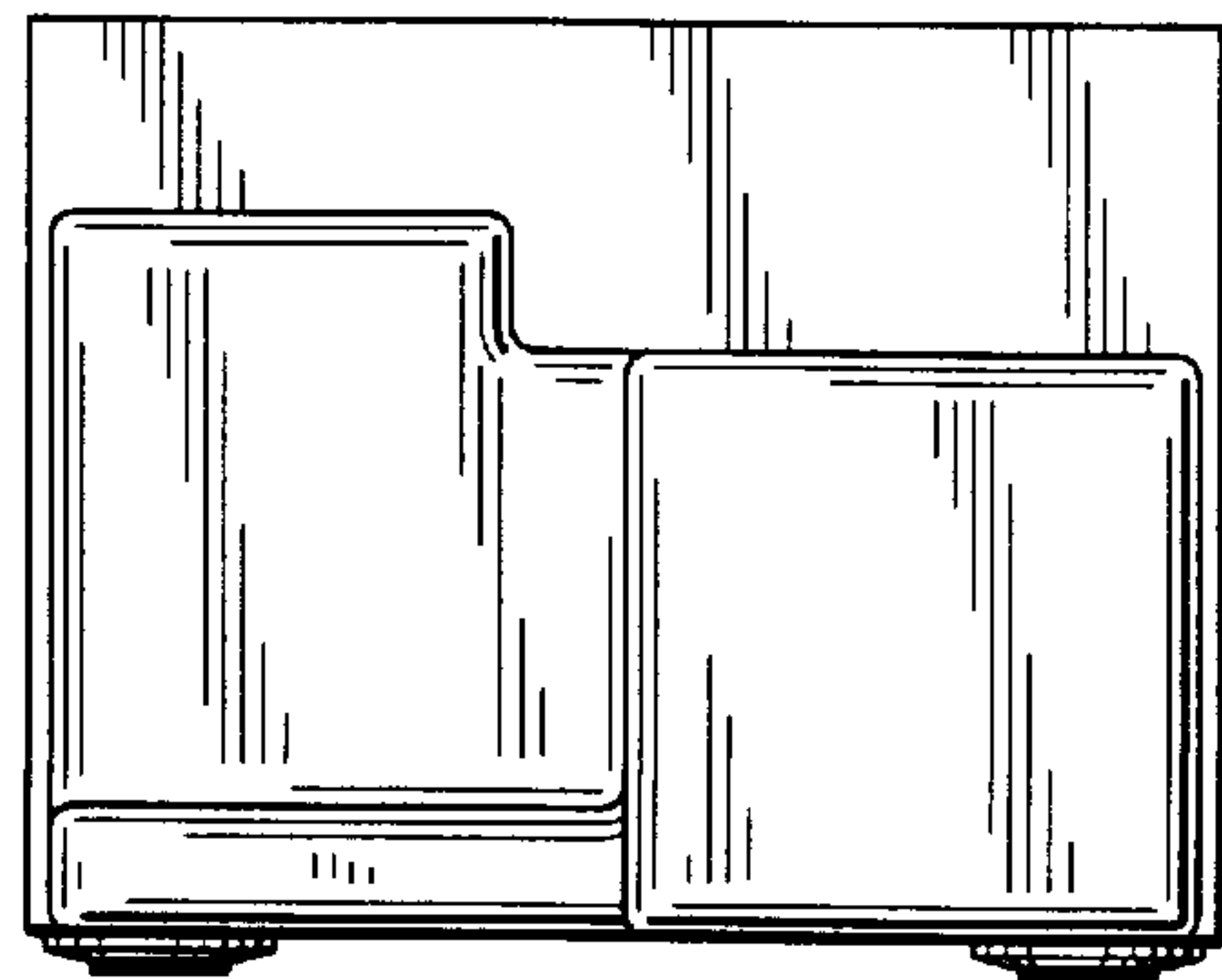


FIG. 4

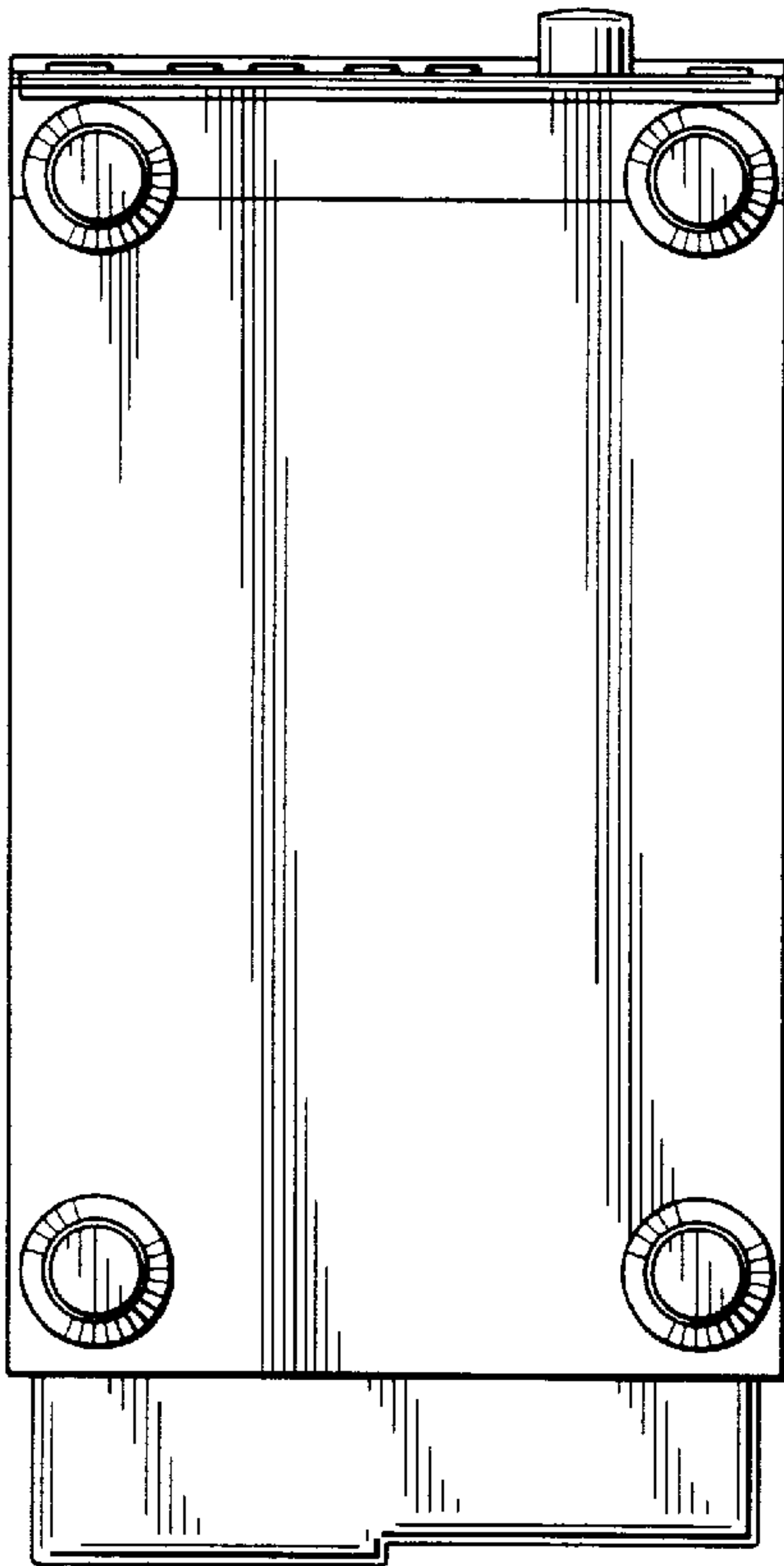


FIG. 5

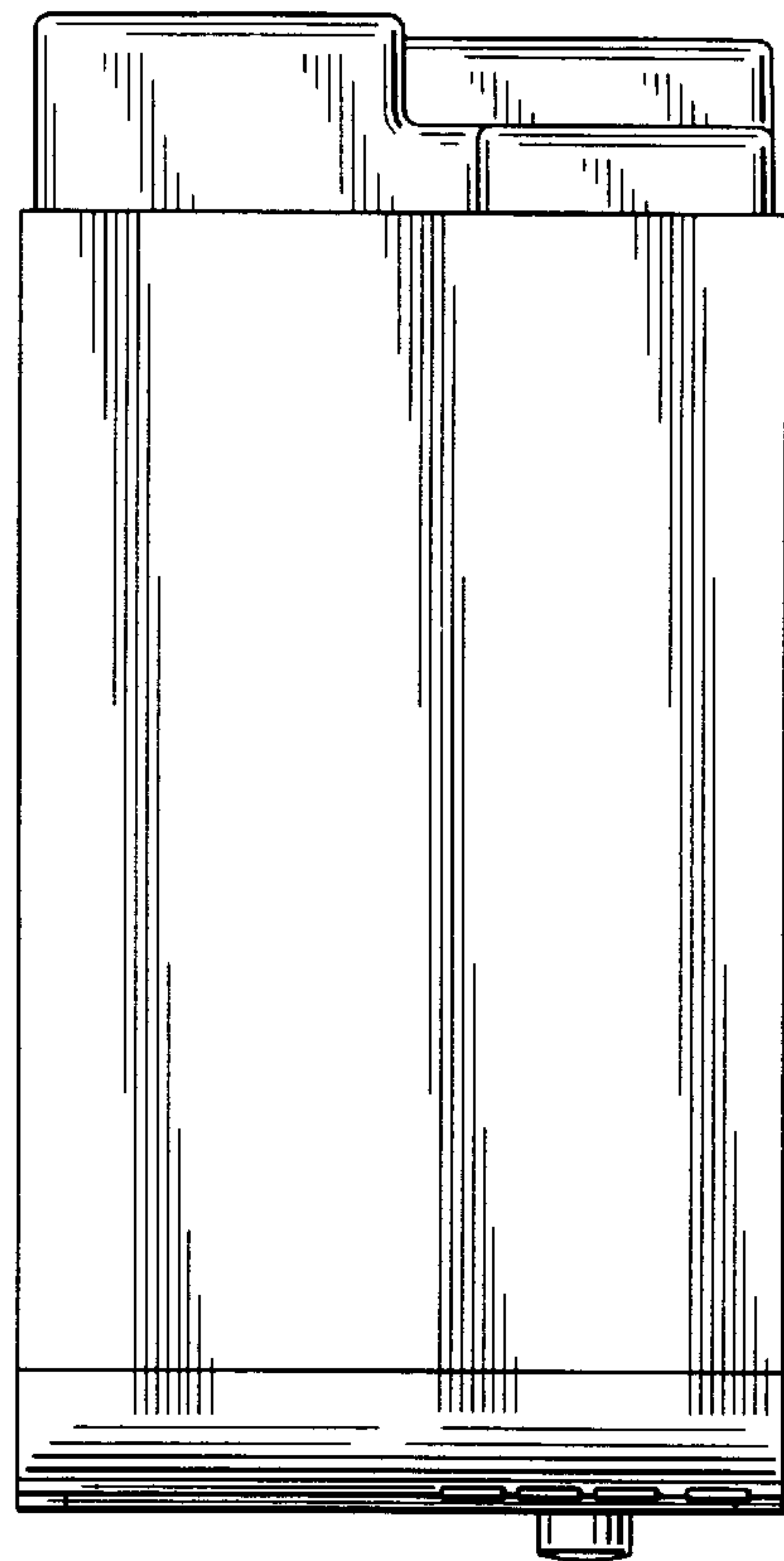


FIG. 6

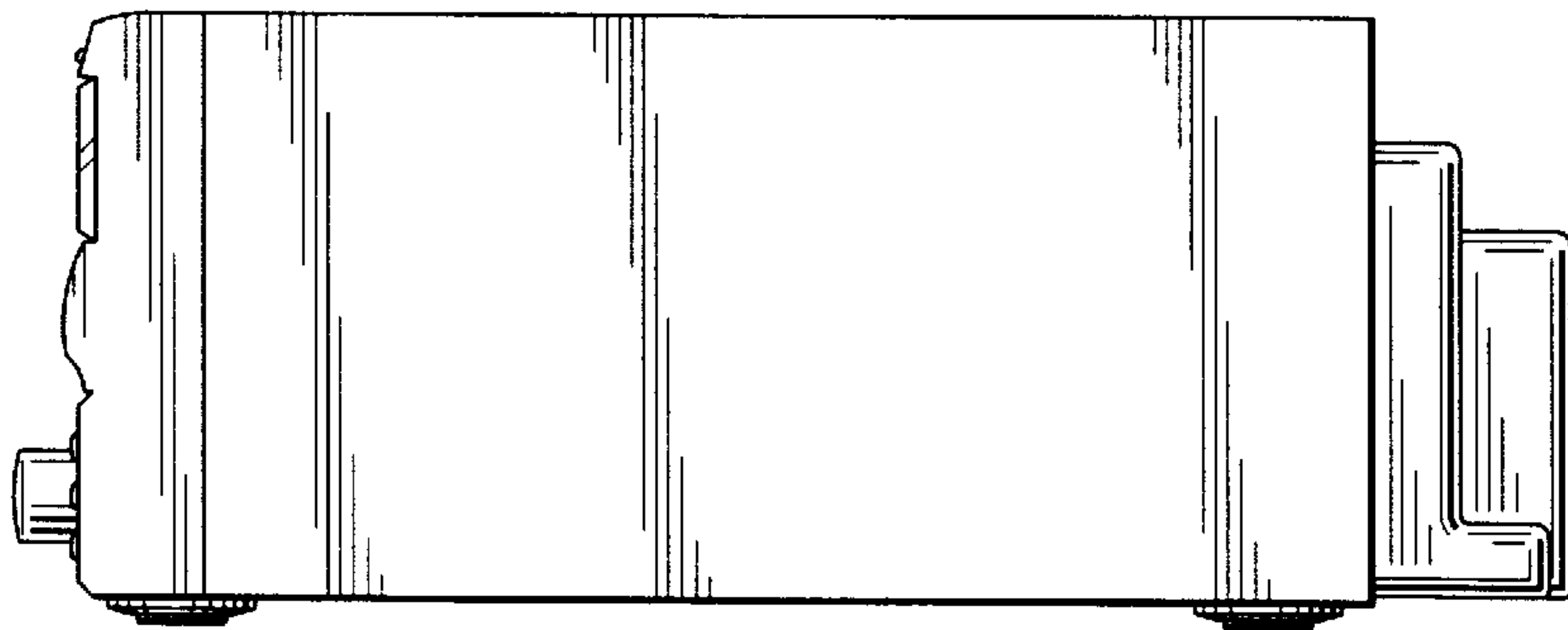


FIG. 7

