



US00D441349S

(12) **United States Design Patent**  
**Sasaki**

(10) **Patent No.:** **US D441,349 S**

(45) **Date of Patent:** **\*\* May 1, 2001**

(54) **MAGNETIC TAPE CARTRIDGE**

5,362,068 \* 11/1994 Liu ..... 463/46 X  
5,395,112 \* 3/1995 Darling ..... 273/148 B X

(75) Inventor: **Kazuo Sasaki**, Tokyo (JP)

**FOREIGN PATENT DOCUMENTS**

(73) Assignees: **Sony Corporation**, Tokyo (JP); **Ecix Corporation**, Boulder, CO (US)

1042588 7/1999 (JP) .  
1042589 7/1999 (JP) .  
DM/001 639 7/1982 (XH) .

(\*\*) Term: **14 Years**

**OTHER PUBLICATIONS**

(21) Appl. No.: **29/101,217**

Catalog; "recognition System, QGD160MA"; Sony; Jul. 1994.

(22) Filed: **Feb. 26, 1999**

Catalog; "A Guide to Data Storage of the Future"; sony; Nov. 1997; 3 sheets.

(30) **Foreign Application Priority Data**

Catalog; "AIT Data Cartridge"; Sony; Sep. 1998.

Aug. 28, 1998 (JP) ..... 10-24350

(51) **LOC (7) Cl.** ..... **14-99**

\* cited by examiner

(52) **U.S. Cl.** ..... **D14/121; D21/332**

*Primary Examiner*—Prabhakar Deshmukh

(58) **Field of Search** ..... D14/114, 120,  
D14/121, 217, 299; D21/332, 333; 273/148 B;  
463/1, 30, 43-47; 360/132, 133; 242/348,  
341, 335; 369/291, 292, 77.2, 75.1

(74) *Attorney, Agent, or Firm*—Rader, Fishman & Grauer

(56) **References Cited**

(57) **CLAIM**

The ornamental design for a magnetic tape cartridge, as shown and described.

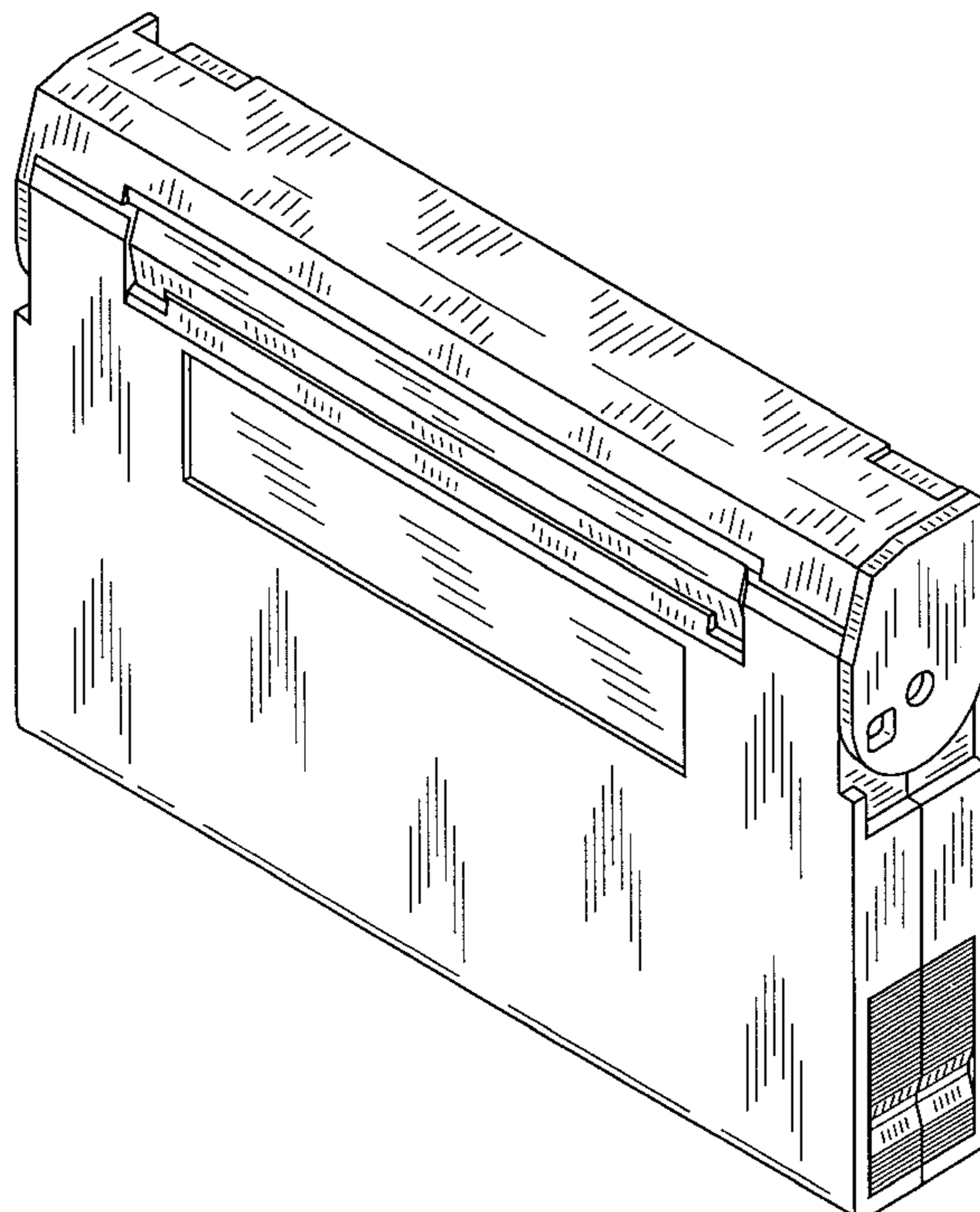
**U.S. PATENT DOCUMENTS**

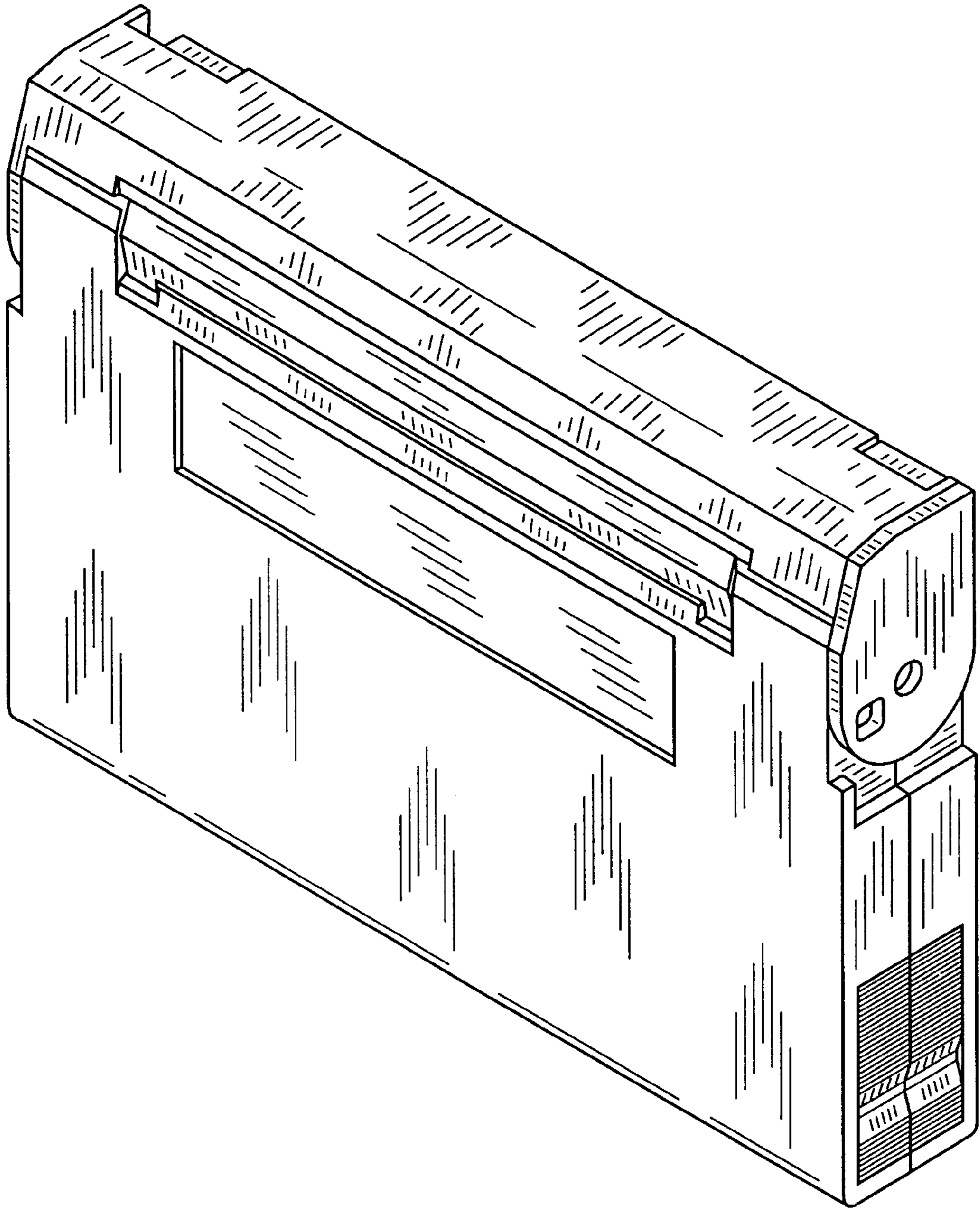
**DESCRIPTION**

- D. 287,007 12/1986 Wada et al. .
- D. 289,519 4/1987 Ohya et al. .
- D. 289,637 5/1987 Ohya et al. .
- D. 349,894 \* 8/1994 Chung et al. .... D14/121
- D. 377,791 2/1997 Kirihara et al. .
- D. 380,466 \* 7/1997 Iribe ..... D14/121
- D. 391,562 3/1998 Kirihara et al. .
- D. 394,254 \* 5/1998 Kirihara et al. .... D14/121
- D. 416,888 \* 11/1999 Kitamori ..... D14/121
- 4,621,297 \* 11/1986 Henegouwen et al. .... D14/121 X
- 4,865,321 \* 9/1989 Nakagawa et al. .... 463/29

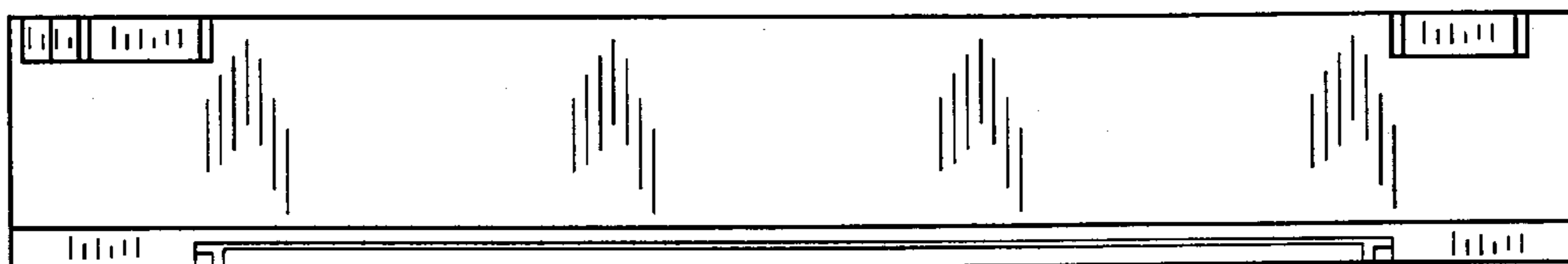
FIG. 1 is a perspective view of a magnetic tape cartridge showing my new design;  
FIG. 2 is a top plan view thereof;  
FIG. 3 is a left side elevational view thereof;  
FIG. 4 is a front elevational view thereof;  
FIG. 5 is a bottom plan view thereof;  
FIG. 6 is a right side elevational view thereof; and,  
FIG. 7 is a rear elevational view thereof.

**1 Claim, 3 Drawing Sheets**

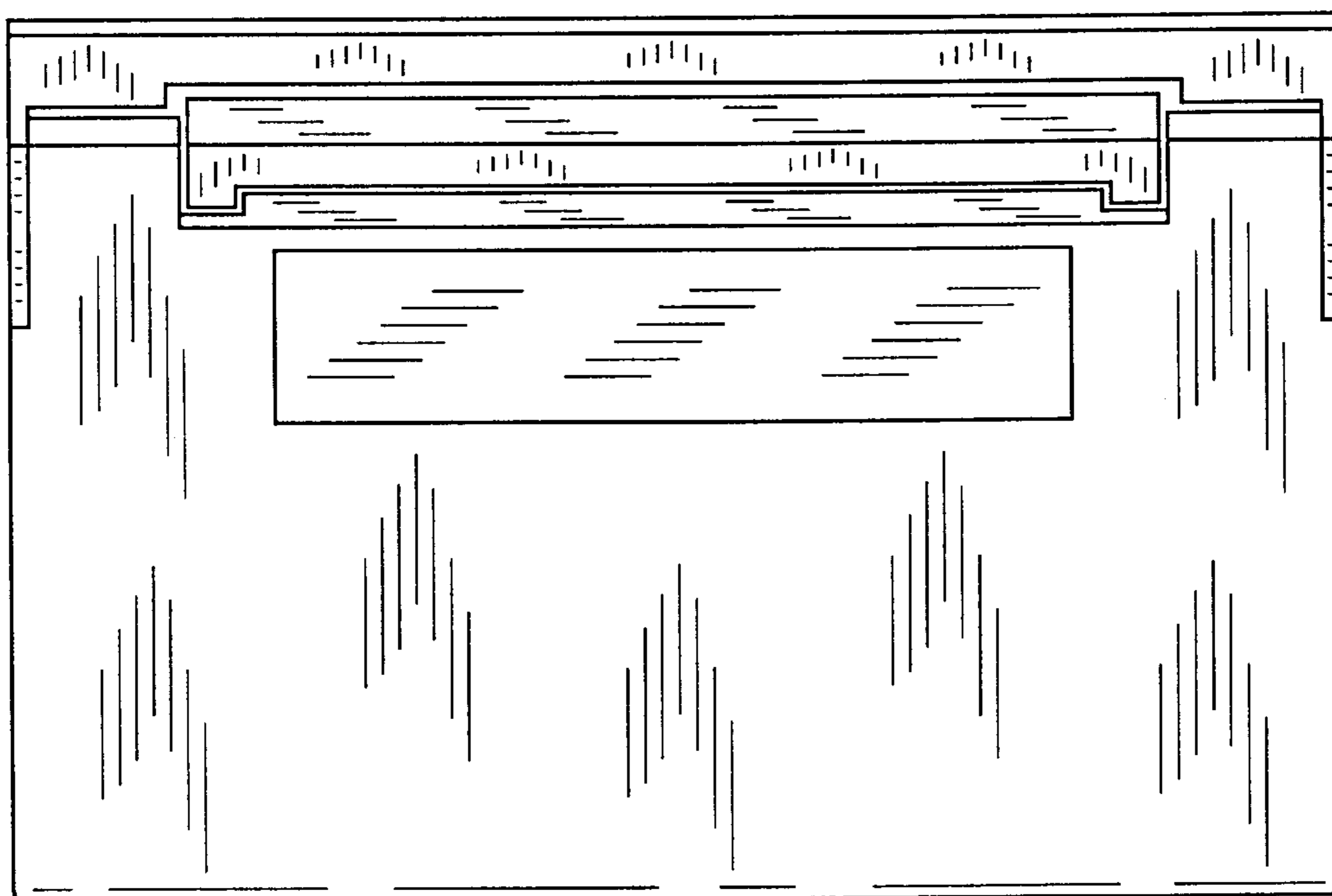




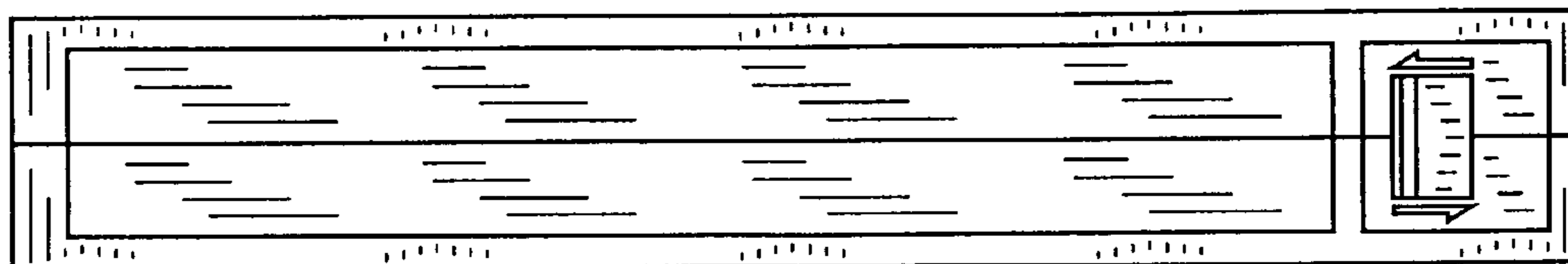
**FIG. 1**



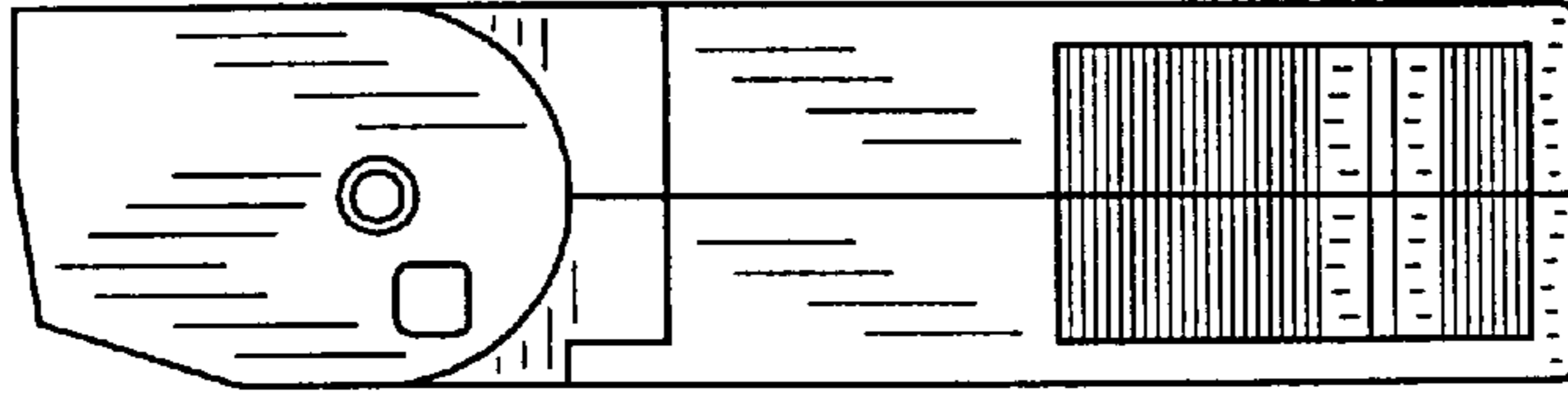
**FIG. 2**



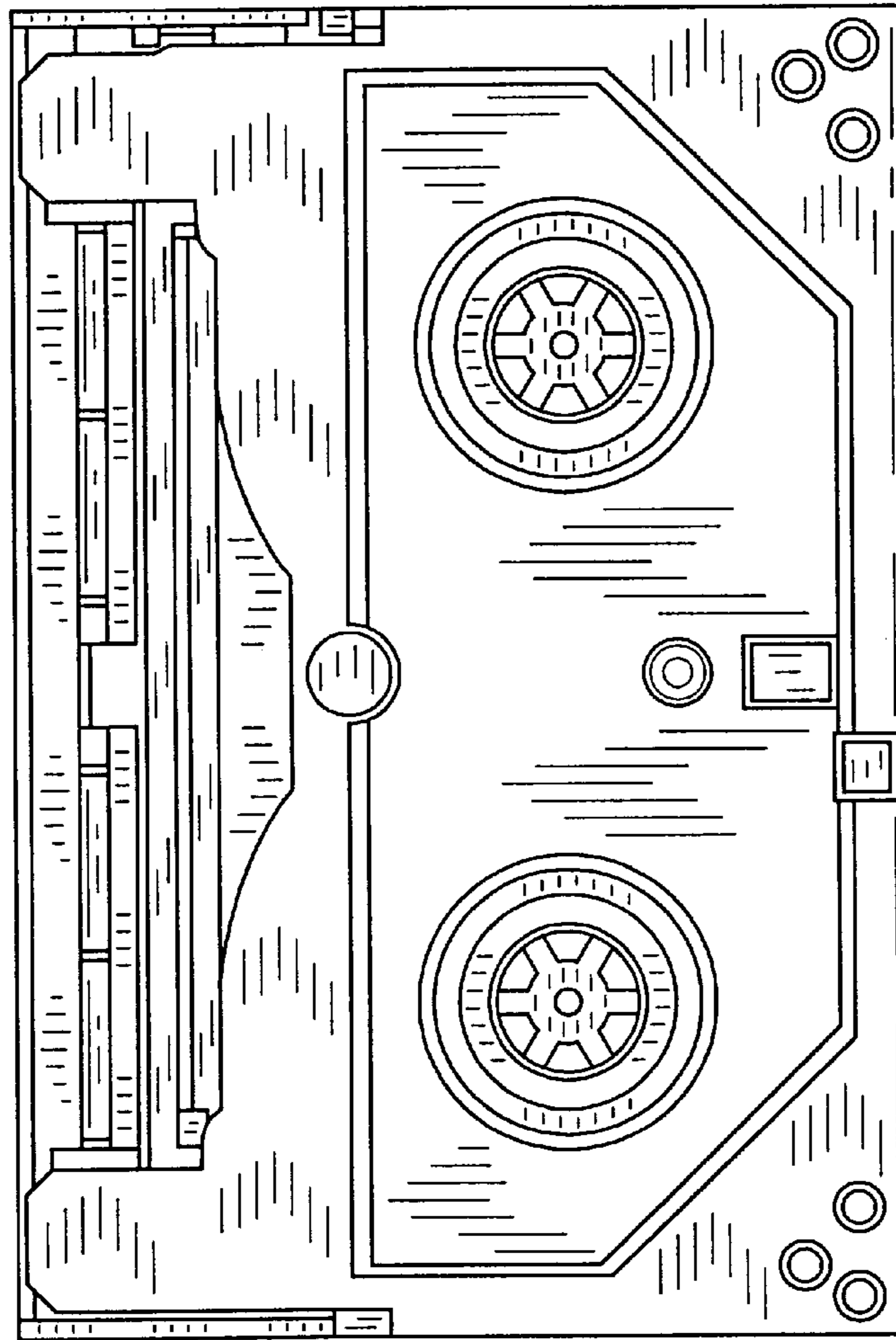
**FIG. 4**



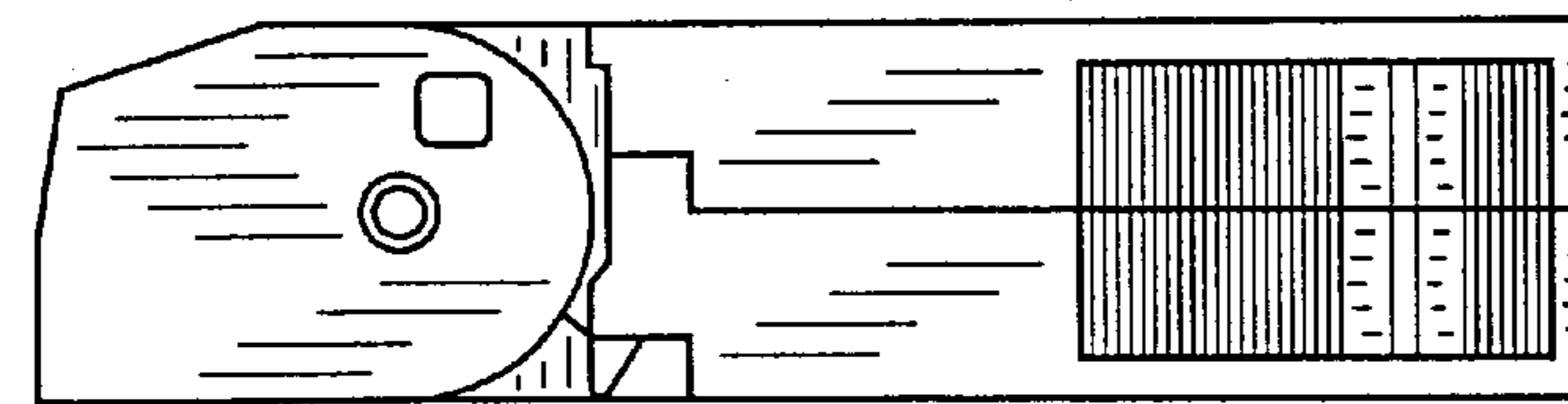
**FIG. 5**



**FIG. 6**



**FIG. 7**



**FIG. 3**