



US00D441343S

(12) **United States Design Patent**
Lee

(10) **Patent No.:** **US D441,343 S**

(45) **Date of Patent:** **** May 1, 2001**

(54) **BATTERY TERMINATION**

5,599,210 * 2/1997 Green 439/763
5,707,258 * 1/1998 Pilotti 439/763

(75) Inventor: **Kendrew Lee**, Sunnyvale, CA (US)

* cited by examiner

(73) Assignee: **Monster Cable Products, Inc.**,
Brisbane, CA (US)

Primary Examiner—Joel Sincavage

(**) Term: **14 Years**

(74) *Attorney, Agent, or Firm*—Lariviere, Grubman &
Payne, LLP

(21) Appl. No.: **29/108,420**

(57) **CLAIM**

(22) Filed: **Jul. 26, 1999**

The ornamental design for a battery termination, as shown.

(51) **LOC (7) Cl.** **13-03**

DESCRIPTION

(52) **U.S. Cl.** **D13/120**

FIG. 1 is a perspective view of the battery termination according to the present invention.

(58) **Field of Search** D13/120, 146;
439/623, 763, 764, 766, 796, 798; 429/178

FIG. 2 is a top view of the battery termination shown in FIG. 1, having a front edge oriented to the bottom of the page.

(56) **References Cited**

FIG. 3 is a front view of the battery termination shown in FIG. 1.

U.S. PATENT DOCUMENTS

FIG. 4 is a left side view of the battery termination shown in FIG. 1.

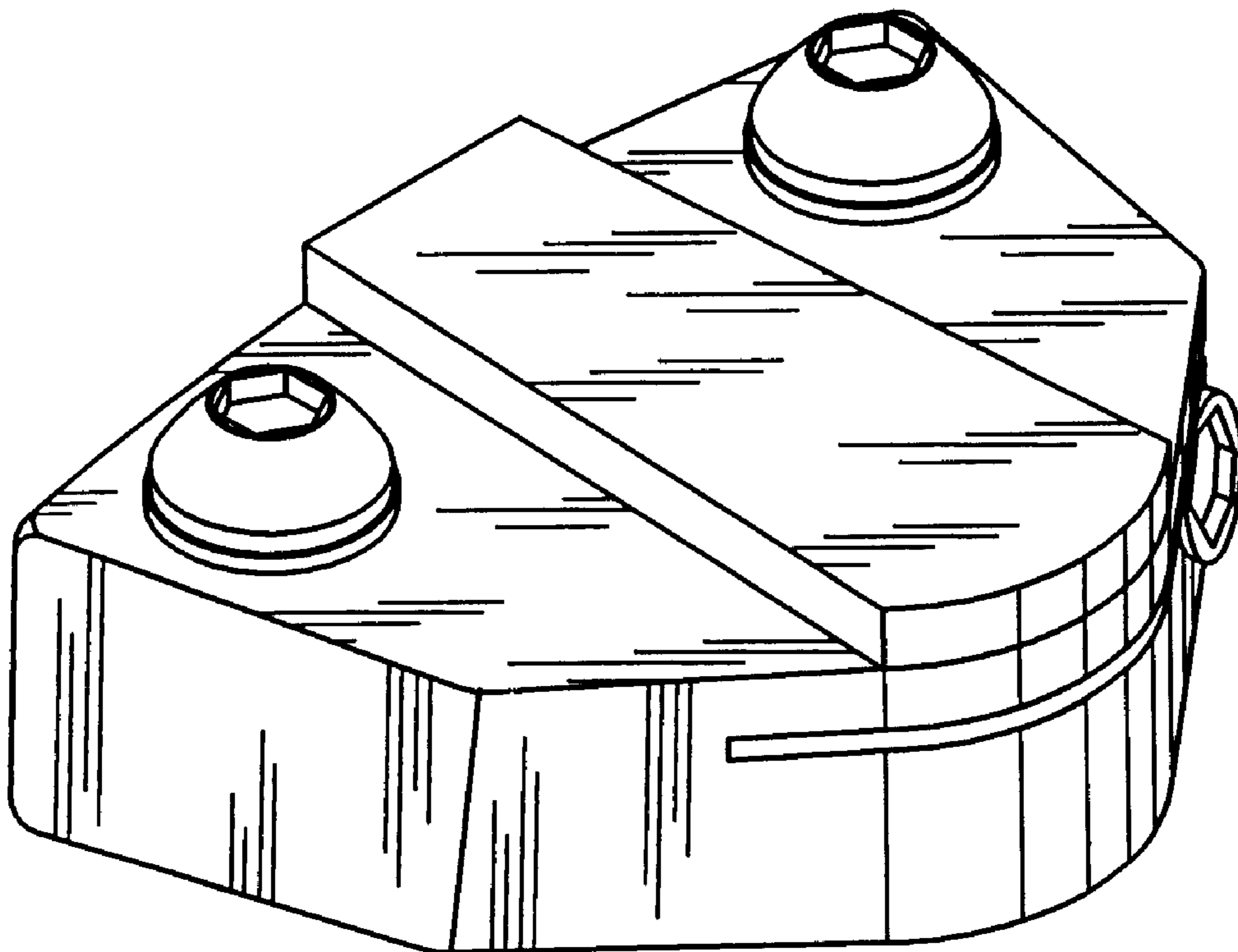
D. 301,243	*	5/1989	Chino	D14/217
2,021,399	*	11/1935	Becker, Sr. et al.	439/798
3,795,891	*	3/1974	Bailey	439/388
4,124,271	*	11/1978	Green	385/21
4,382,651	*	5/1983	Klosin et al.	439/359
4,659,166	*	4/1987	Morningstar et al.	439/580
5,171,169	*	12/1992	Butcher et al.	439/755
5,266,057	*	11/1993	Angel, Jr. et al.	439/724
5,358,422	*	10/1994	Schaffer et al.	439/346
5,574,440	*	11/1996	Kurtz	340/825.57

FIG. 5 is a right side view of the battery termination shown in FIG. 1.

FIG. 6 is a rear view of the battery termination shown in FIG. 1; and,

FIG. 7 is a bottom view of the battery termination shown in FIG. 1.

1 Claim, 3 Drawing Sheets



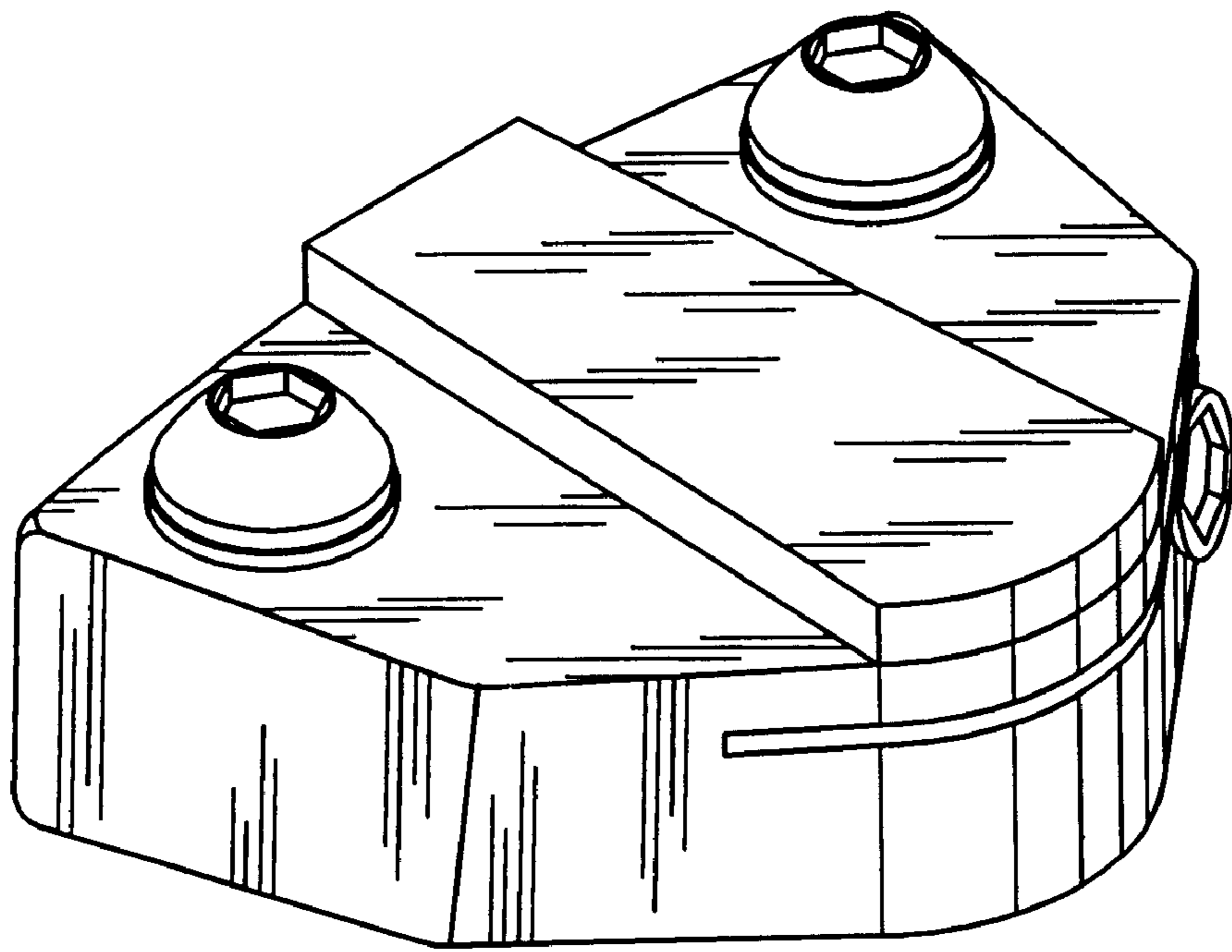


FIG. 1

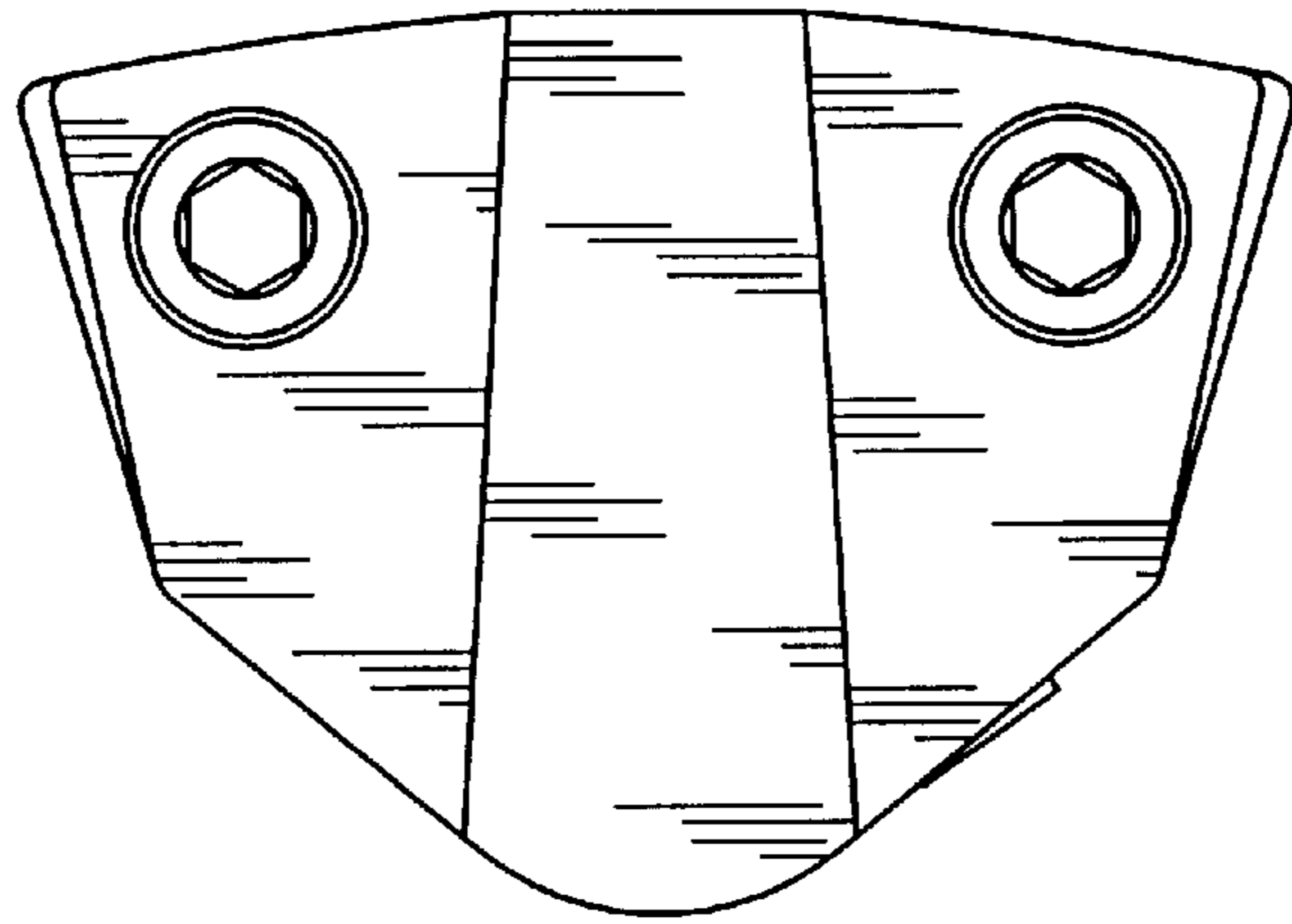


FIG. 2

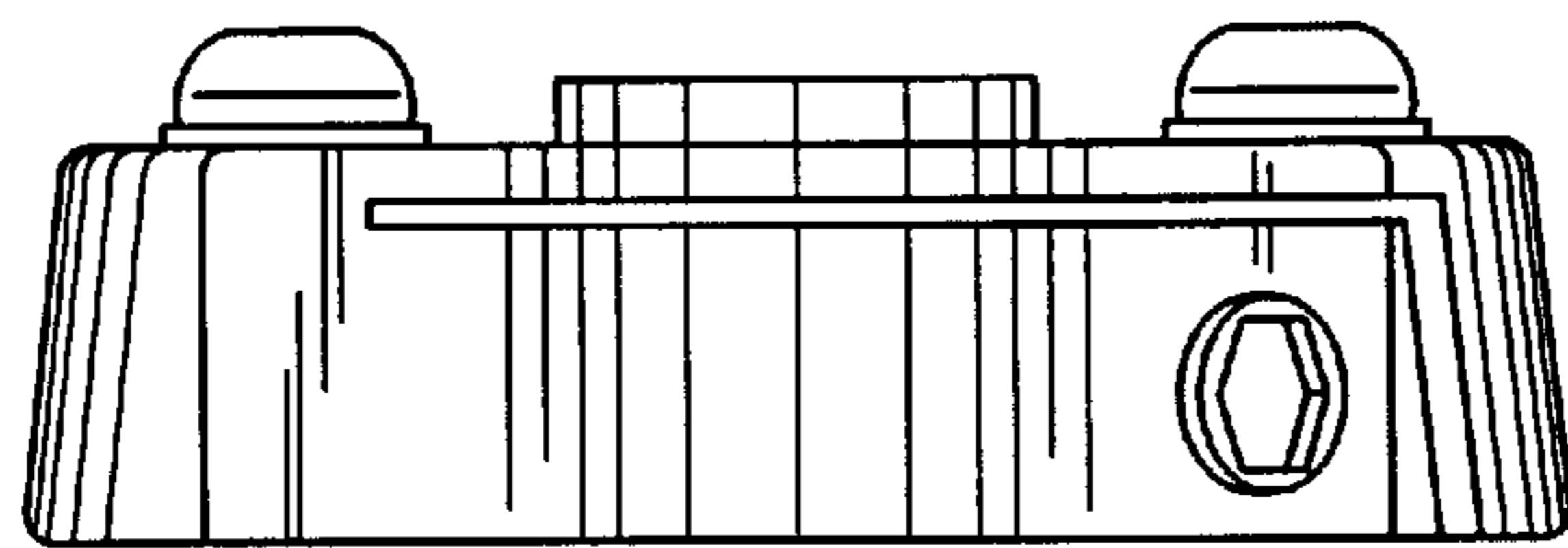


FIG. 3

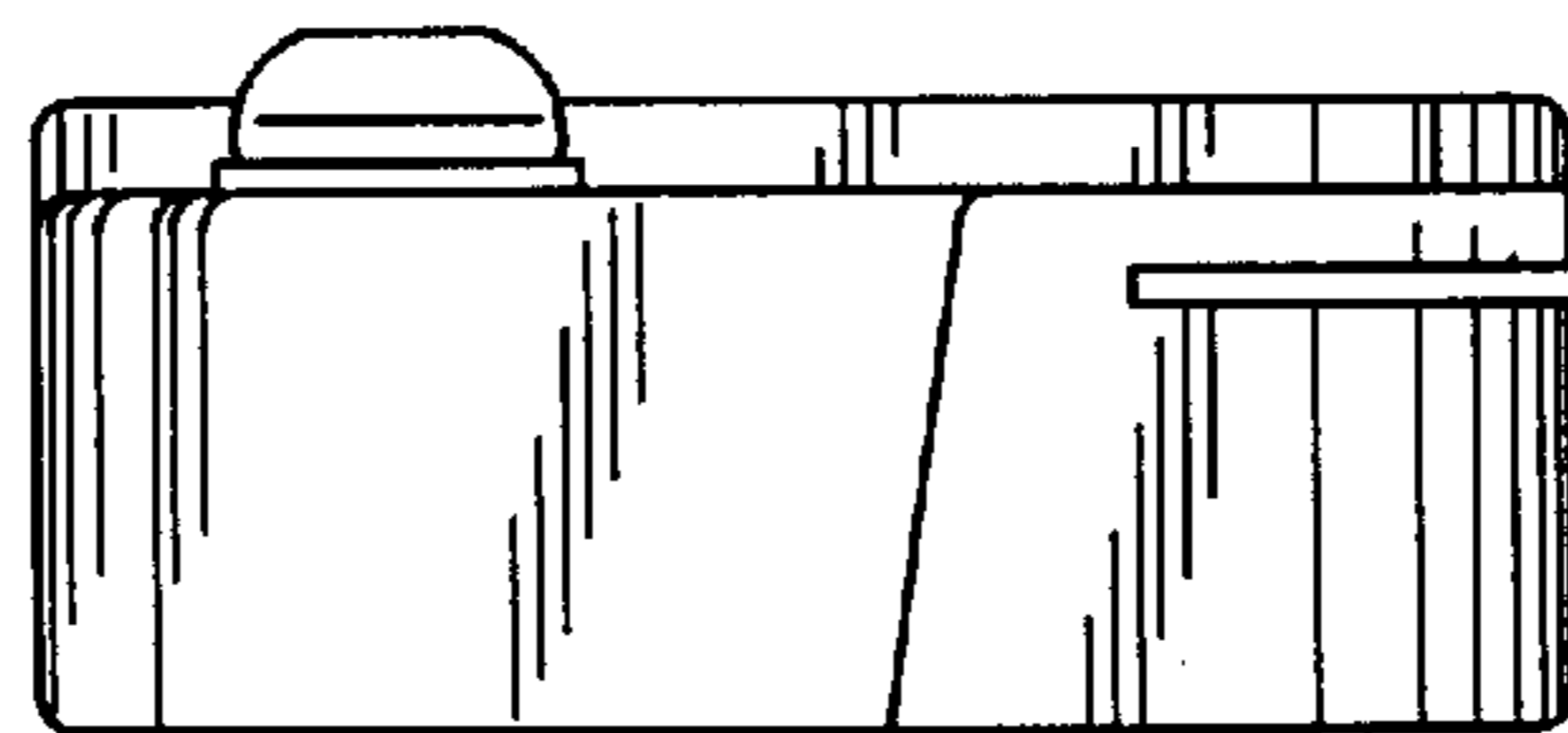


FIG. 4

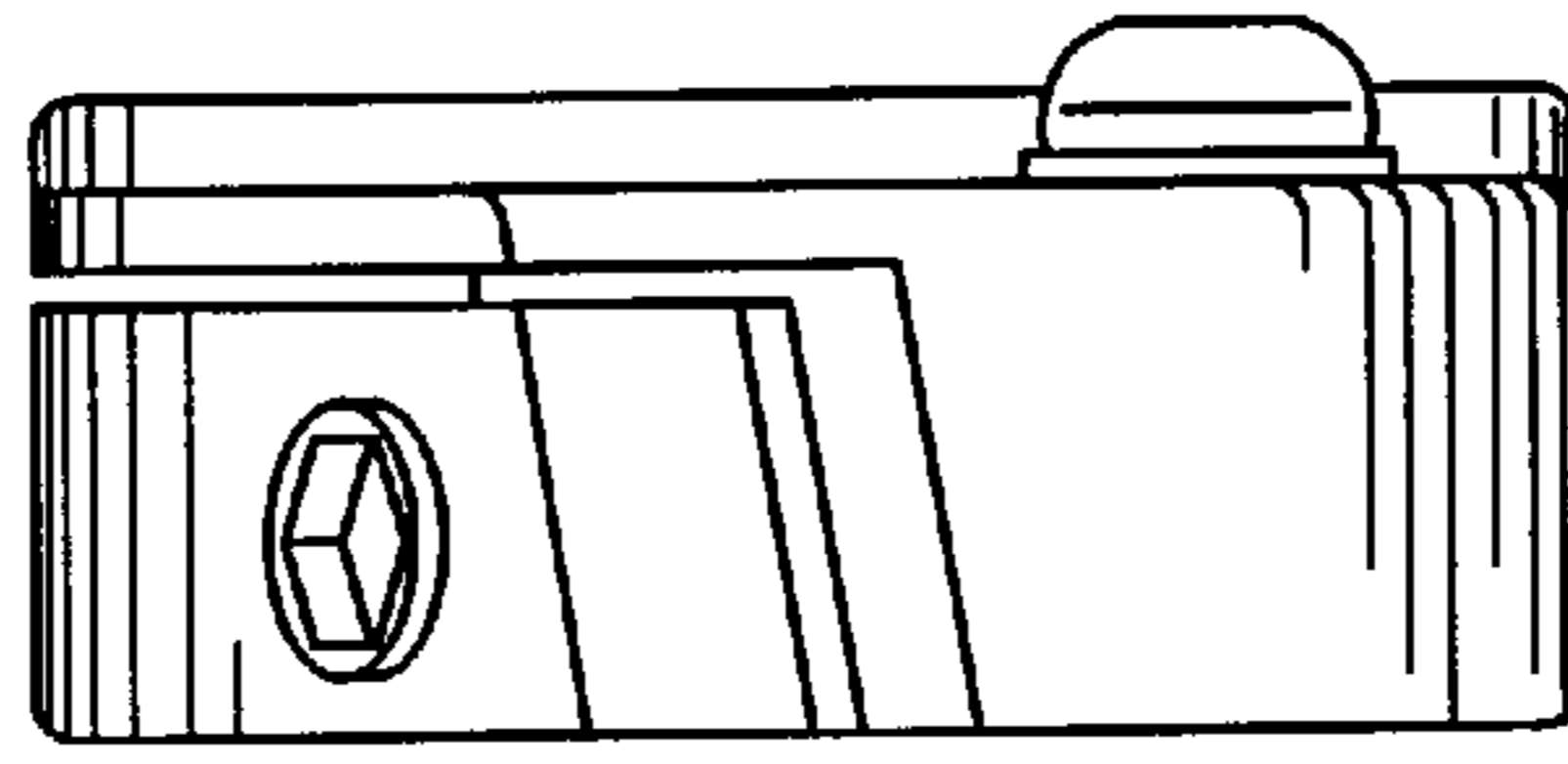


FIG. 5

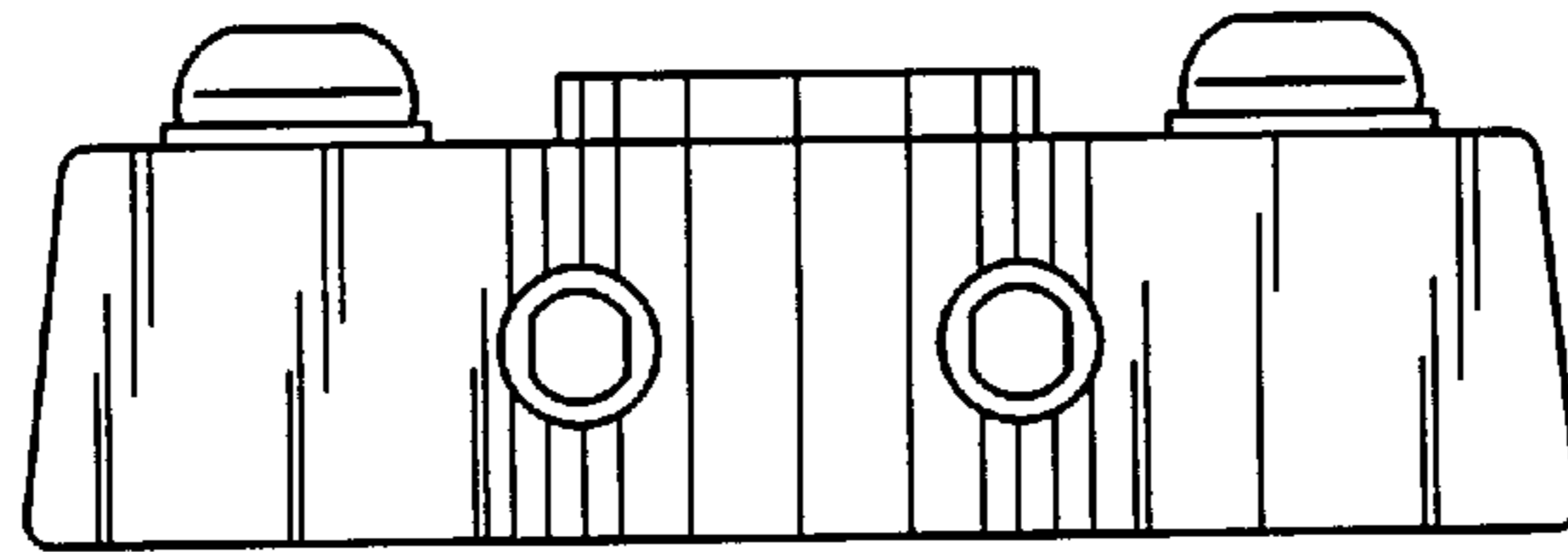


FIG. 6

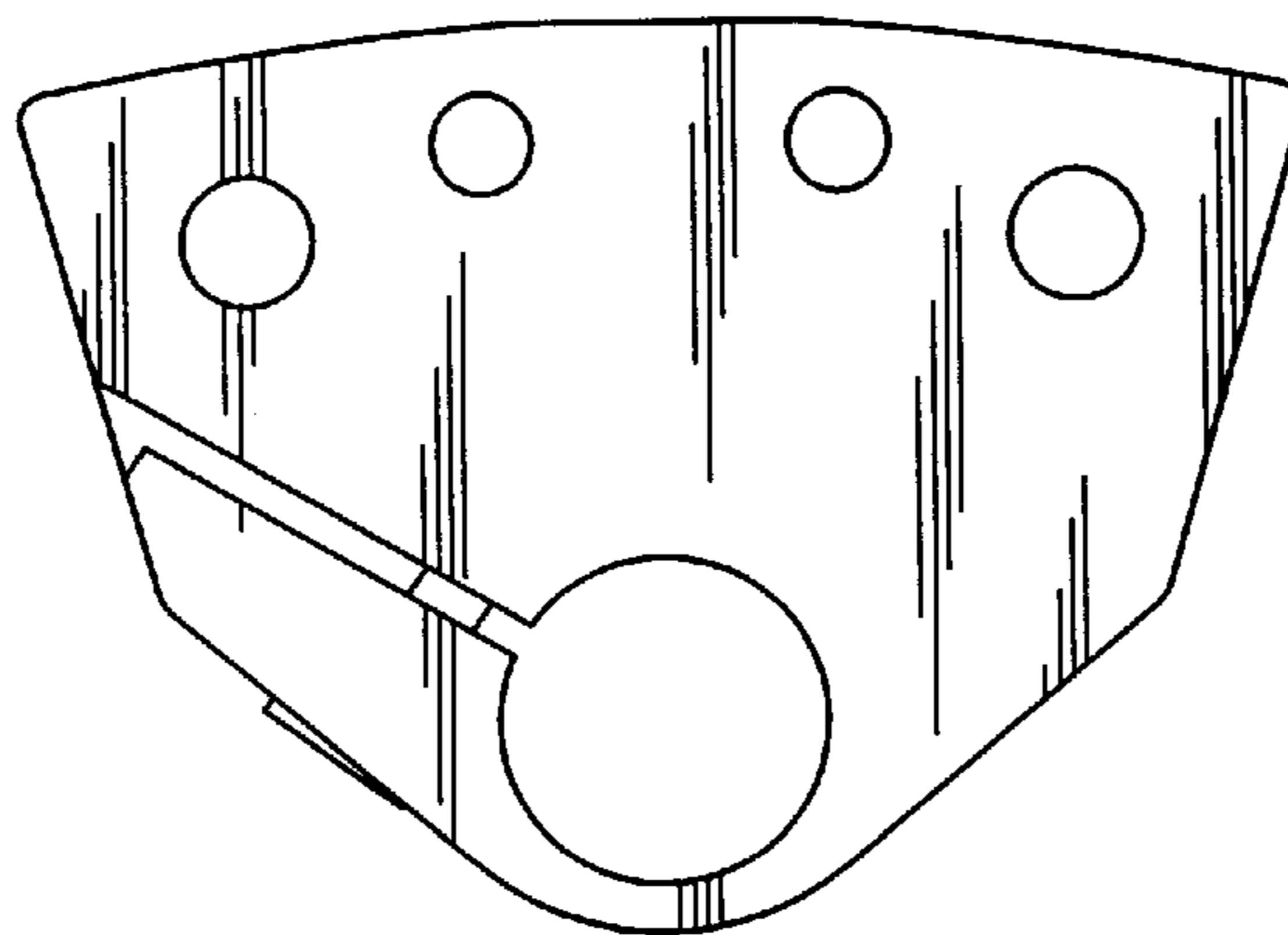


FIG. 7