



US00D441341S

(12) **United States Design Patent**
Hassett et al.

(10) **Patent No.:** **US D441,341 S**

(45) **Date of Patent:** **** May 1, 2001**

(54) **STORAGE DEVICE FOR INTERCONNECTION TO THE FRONT OF AN AUTOMOBILE SEAT**

D. 425,474 * 5/2000 Bergh D12/416
D. 430,534 * 9/2000 Golenz D12/416
D. 432,075 * 10/2000 Hassett et al. D12/416
2,767,895 * 10/1956 Smith D12/416 X

(75) Inventors: **Eric Hassett; Thomas Grimaldi**, both of Winter Park, CO (US)

* cited by examiner

(73) Assignee: **Case Logic, Inc.**, Longmont, CO (US)

Primary Examiner—Stacia Cadmus

(74) *Attorney, Agent, or Firm*—Sheridan Ross P.C.

(**) Term: **14 Years**

(57) **CLAIM**

(21) Appl. No.: **29/128,746**

The ornamental design for a storage device for interconnection to the front of an automobile seat, as shown and described.

(22) Filed: **Aug. 30, 2000**

(51) **LOC (7) Cl.** **12-16**

DESCRIPTION

(52) **U.S. Cl.** **D12/416**

(58) **Field of Search** D12/415, 416, D12/423-425, 406; D3/216-228; D6/611, 513-514, 553, 556, 359, 336, 356; 224/42.11, 42.46, 275-276, 277, 539; 296/37.15, 37.16; 297/191, 188-188.07, 188.18, 188.12

FIG. 1 is a rear elevation view of the storage device for interconnection to the front of an automobile seat, showing my new design;

FIG. 2 is a front elevation view of the invention illustrated in FIG. 1;

FIG. 3 is a right elevation end view of the invention illustrated in FIG. 1;

FIG. 4 is a left elevation end view of the invention illustrated in FIG. 1;

FIG. 5 is a bottom plan view of the invention illustrated in FIG. 1;

FIG. 6 is a top plan view of the invention illustrated in FIG. 1; and,

FIG. 7 is a right front perspective view of the invention illustrated in FIG. 1.

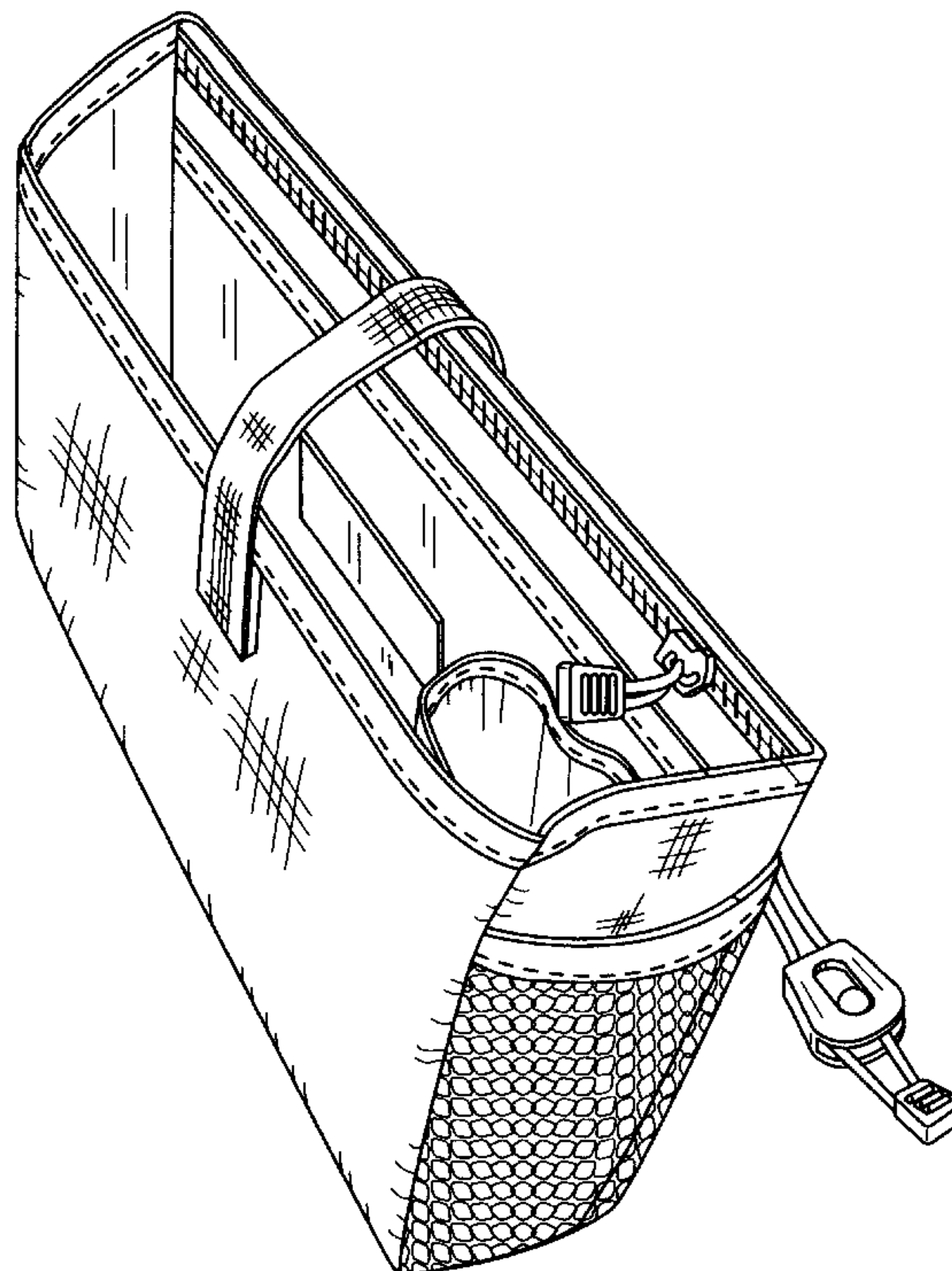
The dashed lines on the storage device in FIGS. 1-4 and 7 are understood to represent stitching.

(56) **References Cited**

U.S. PATENT DOCUMENTS

- D. 247,327 * 2/1978 Tracy D12/416
- D. 312,349 * 11/1990 Pogue D12/416
- D. 324,953 * 3/1992 Swanner D12/416
- D. 344,180 * 2/1994 Garcia D12/416
- D. 344,625 * 3/1994 Berry D12/416
- D. 389,115 * 1/1998 Alves et al. D12/416
- D. 392,613 * 3/1998 Peters D12/416
- D. 396,983 * 8/1998 Taylor D12/416 X
- D. 412,311 * 7/1999 Silvershein D12/416
- D. 419,520 * 1/2000 Bergh D12/416
- D. 422,555 * 4/2000 Bergh D12/423

1 Claim, 6 Drawing Sheets



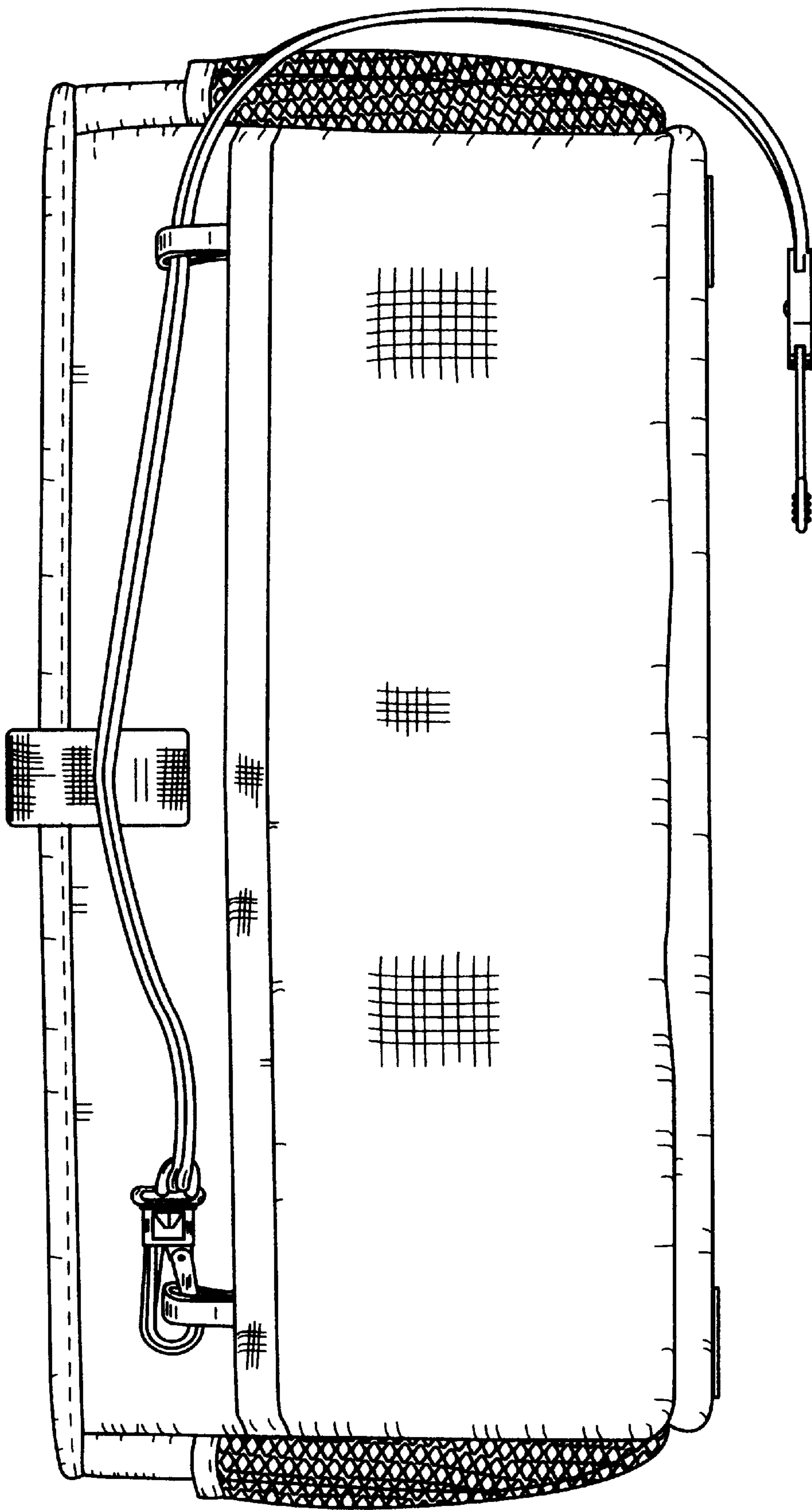


Fig. 1

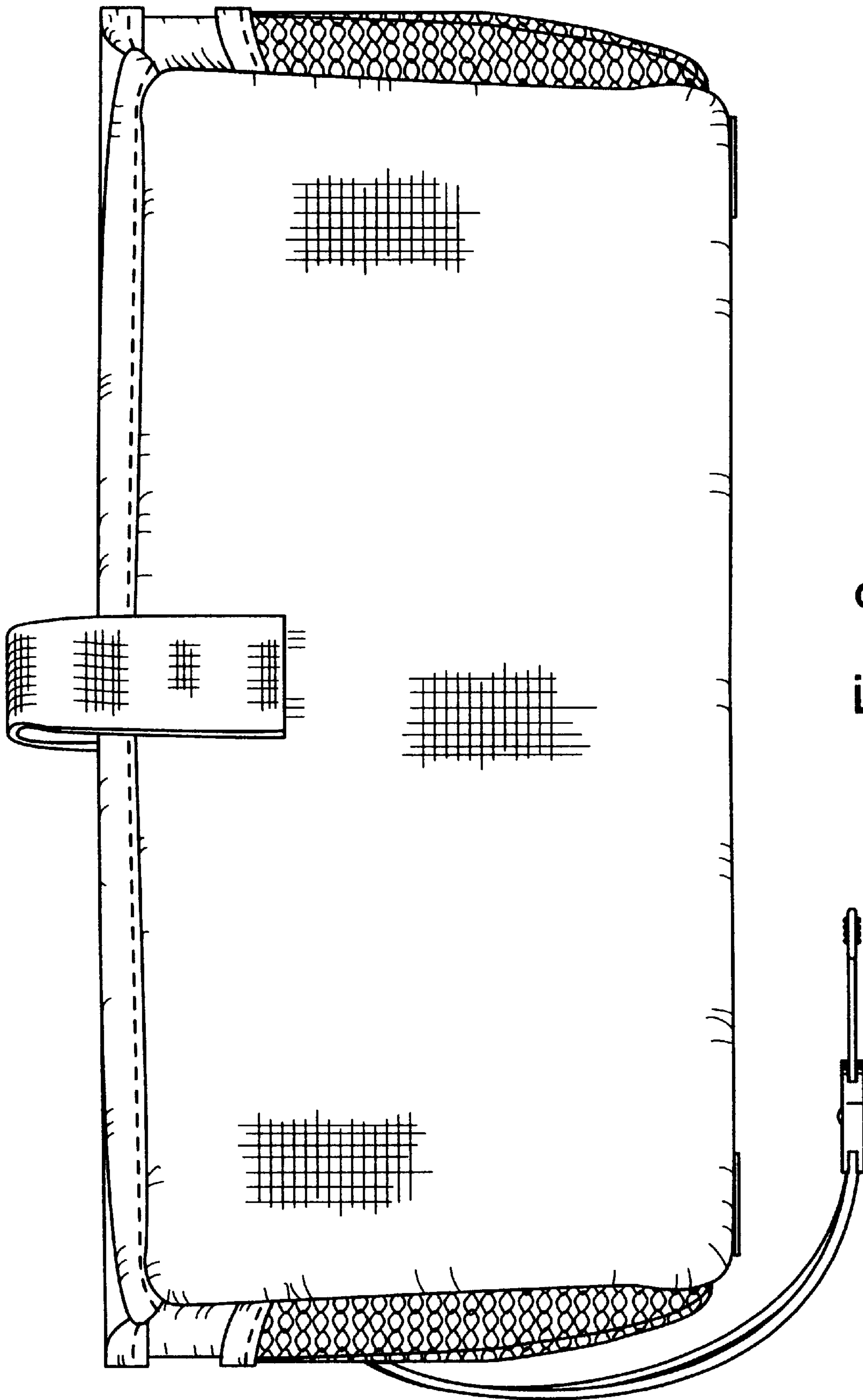


Fig. 2

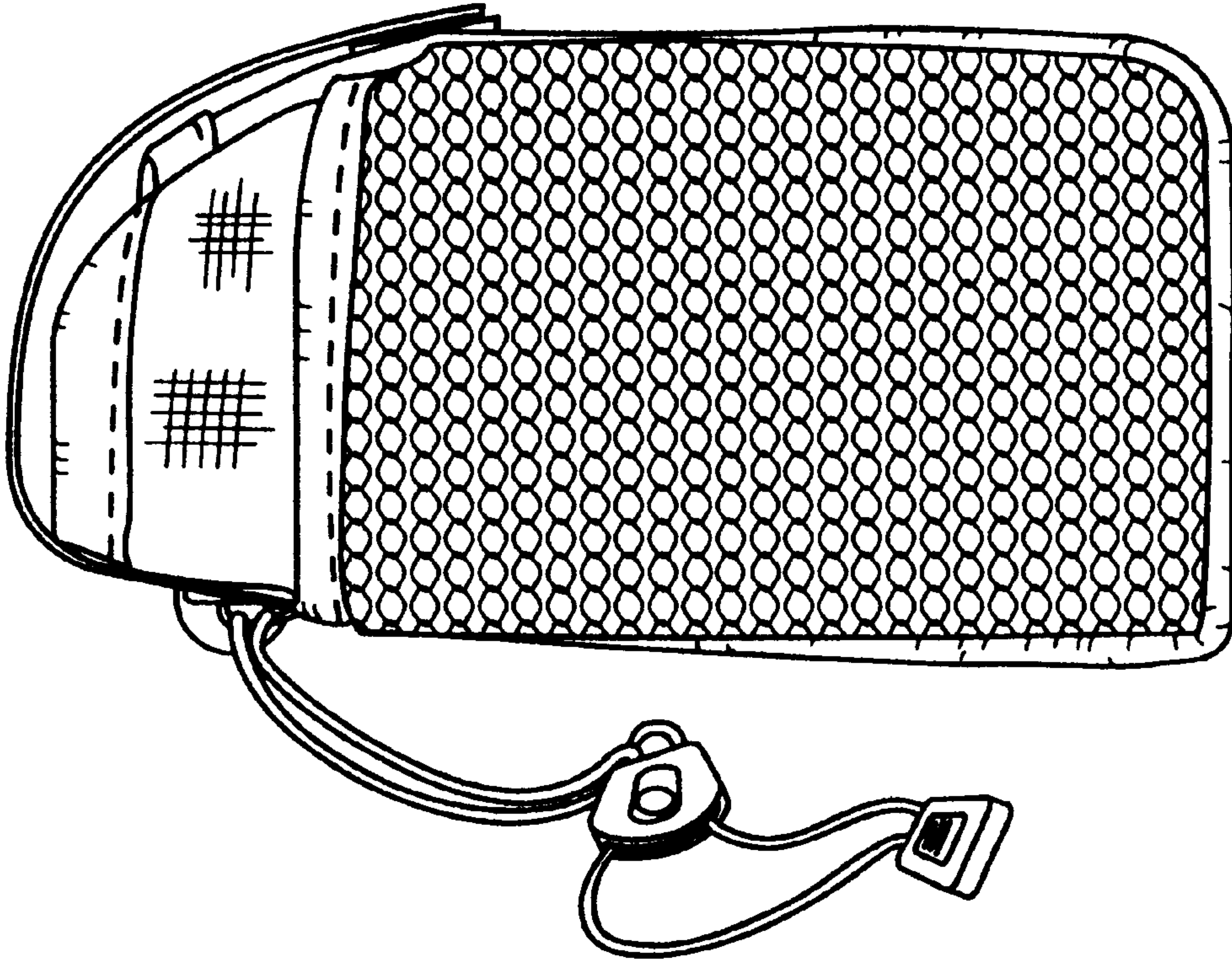


Fig. 4

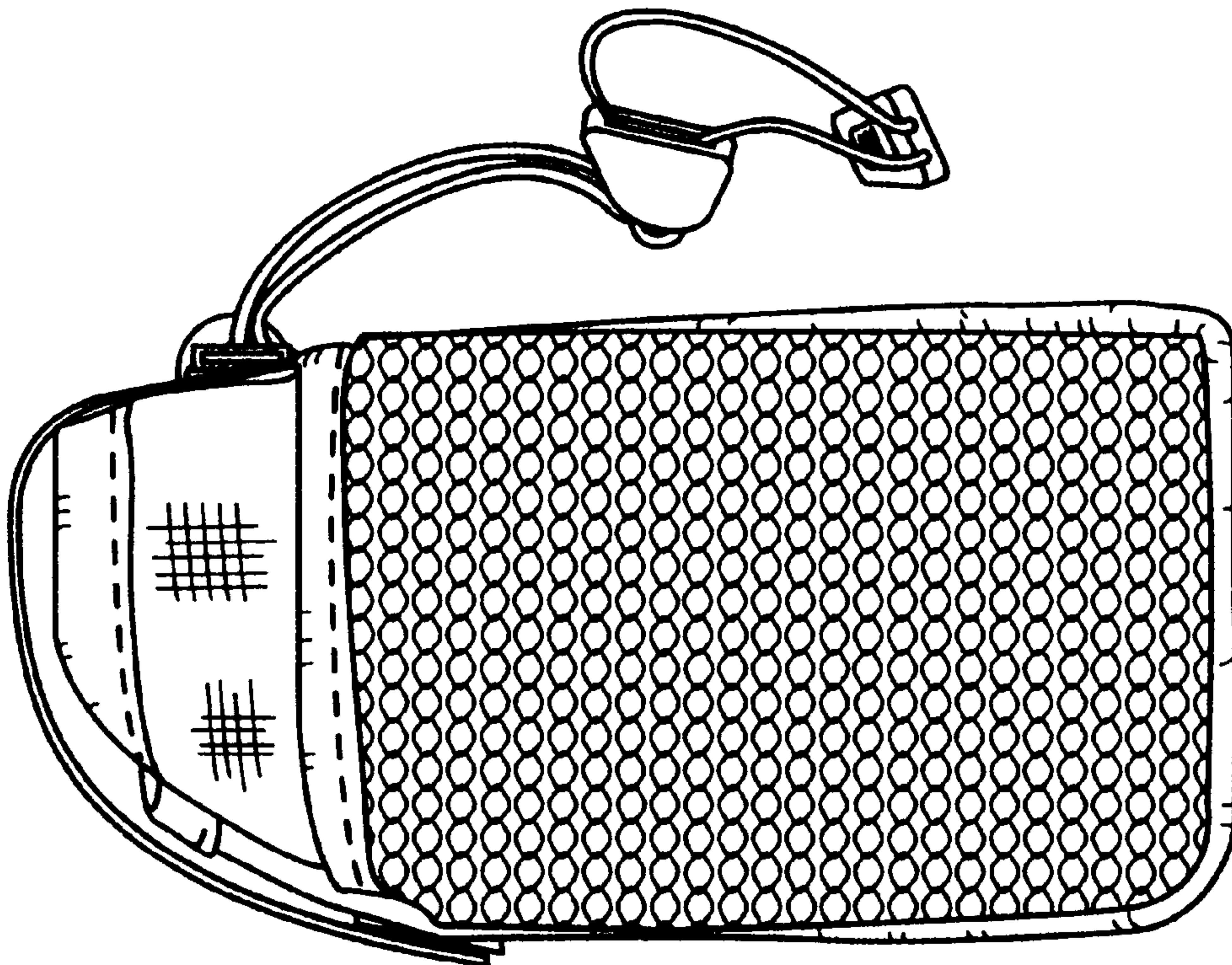


Fig. 3

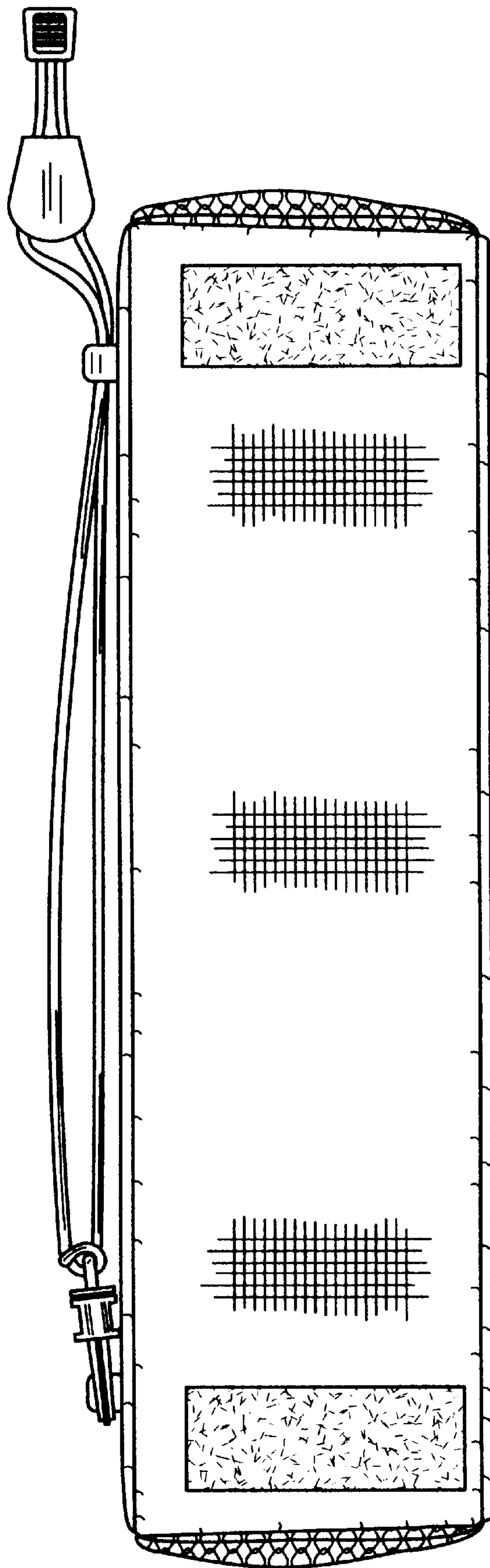


Fig. 5

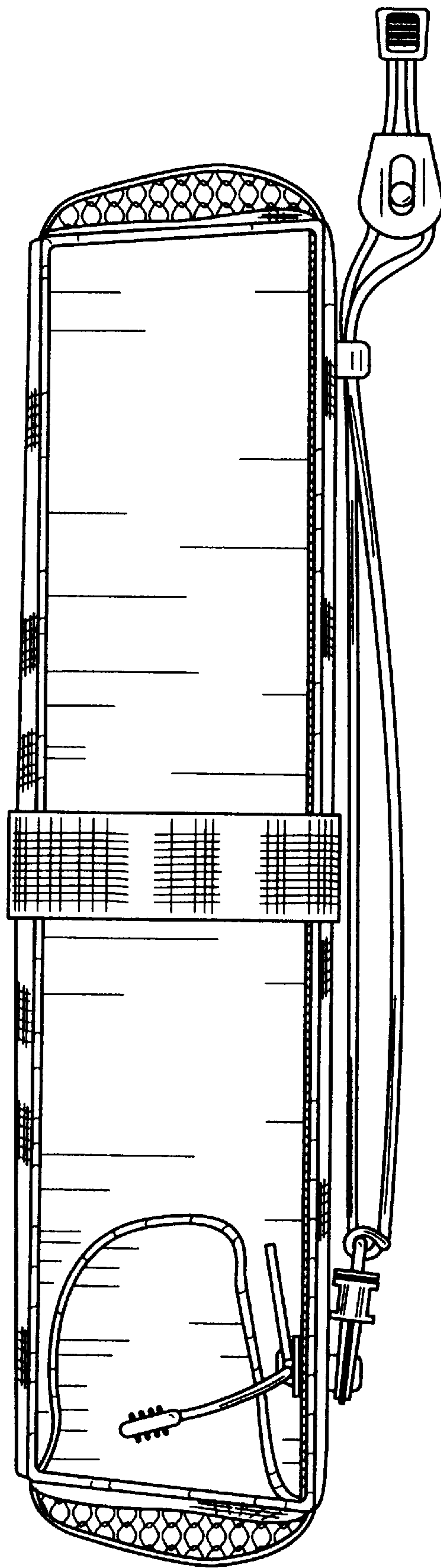


Fig. 6

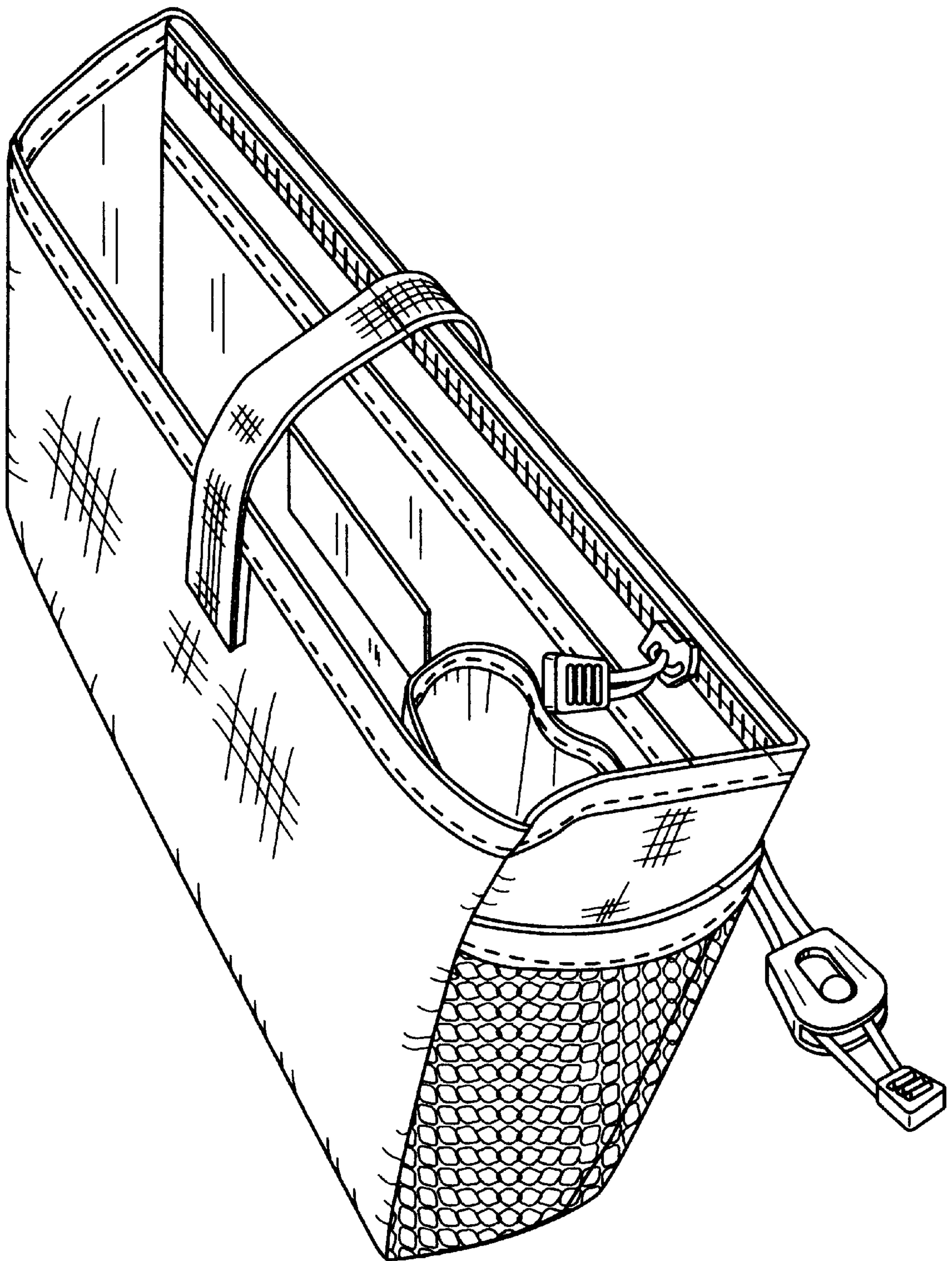


Fig. 7