



US00D441340S

(12) **United States Design Patent**  
**Whiteford et al.**

(10) **Patent No.:** **US D441,340 S**

(45) **Date of Patent:** **\*\* May 1, 2001**

(54) **TRUCK BED EXTENSION**

D. 377,780 \* 2/1997 MacNeil ..... D12/221

(76) Inventors: **Barry Whiteford**, 266 Old Route 11,  
Canton, NY (US) 13617; **Dana E. Williams**, 55 Churchill, Massena, NY  
(US) 13662

\* cited by examiner

*Primary Examiner*—Melody N. Brown  
(74) *Attorney, Agent, or Firm*—Goldstein & Canino

(\*\*) Term: **14 Years**

(57) **CLAIM**

The ornamental design for a truck bed extension, as shown and described.

(21) Appl. No.: **29/101,537**

(22) Filed: **Mar. 5, 1999**

**DESCRIPTION**

(51) **LOC (7) Cl.** ..... **12-06**

(52) **U.S. Cl.** ..... **D12/221**

(58) **Field of Search** ..... D12/196, 221;  
296/57.1, 39.1, 37.1, 39.2, 37.16, 26

FIG. 1 is a perspective view of the truck bed extension in full lines with a truck shown in broken lines representing environmental association matter being for illustrative purposes only and forming no part of the claimed invention.

FIG. 2 is a top plan view of the truck bed extension.

FIG. 3 is a bottom plan view thereof.

FIG. 4 is a left side elevational view thereof, the right side elevational view being a mirror image of the left side view.

FIG. 5 is a front elevational view of the truck bed extension; and,

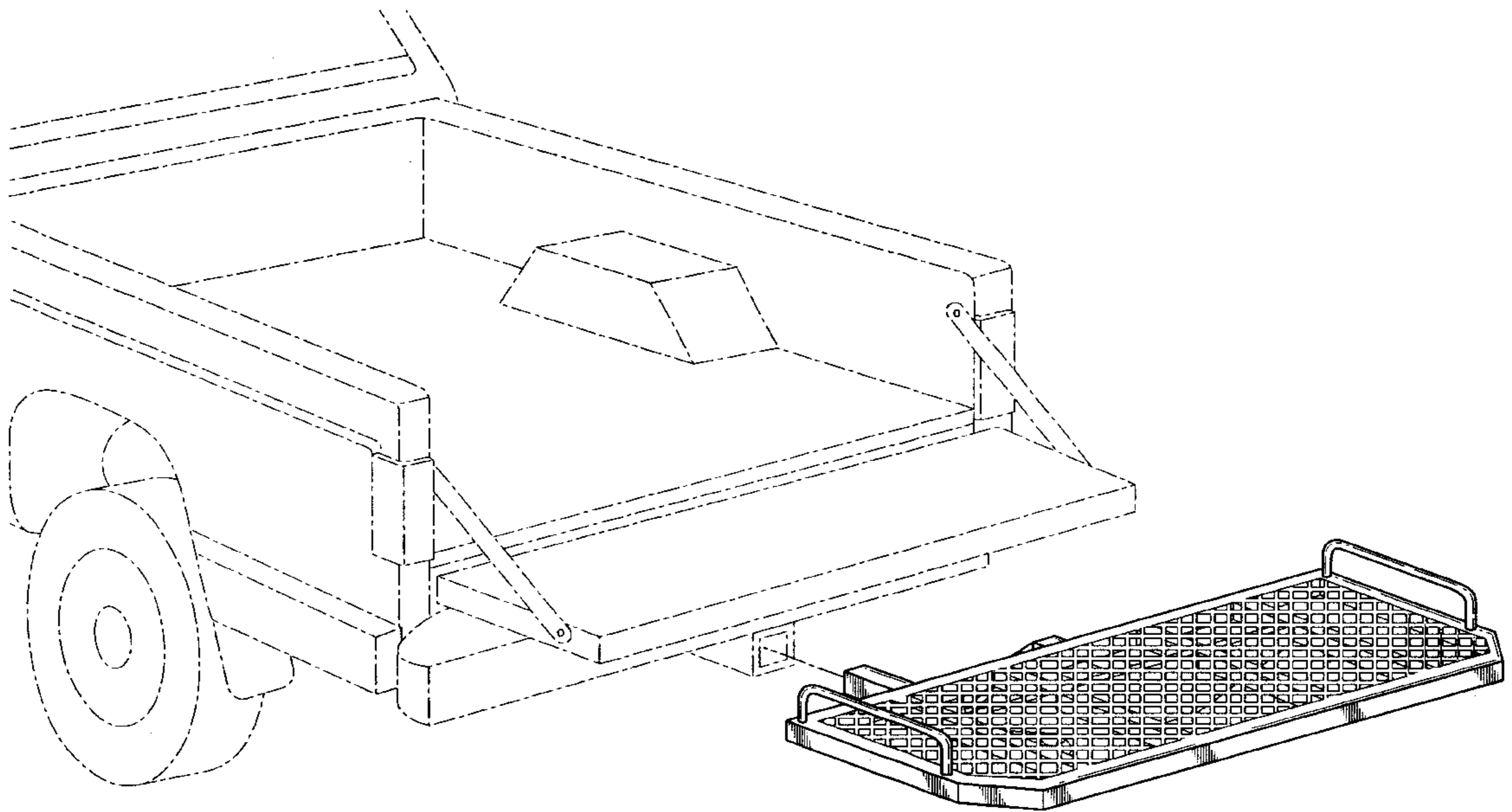
FIG. 6 is a rear elevational view thereof.

(56) **References Cited**

**U.S. PATENT DOCUMENTS**

- D. 336,063 \* 6/1993 Stalling ..... D12/221
- D. 359,264 \* 6/1995 Pilla et al. .... D12/221
- D. 365,323 \* 12/1995 Napierkowski et al. .... D12/196
- D. 368,887 \* 4/1996 Upshaw ..... D12/221
- D. 371,535 \* 7/1996 Young ..... D12/221

**1 Claim, 3 Drawing Sheets**



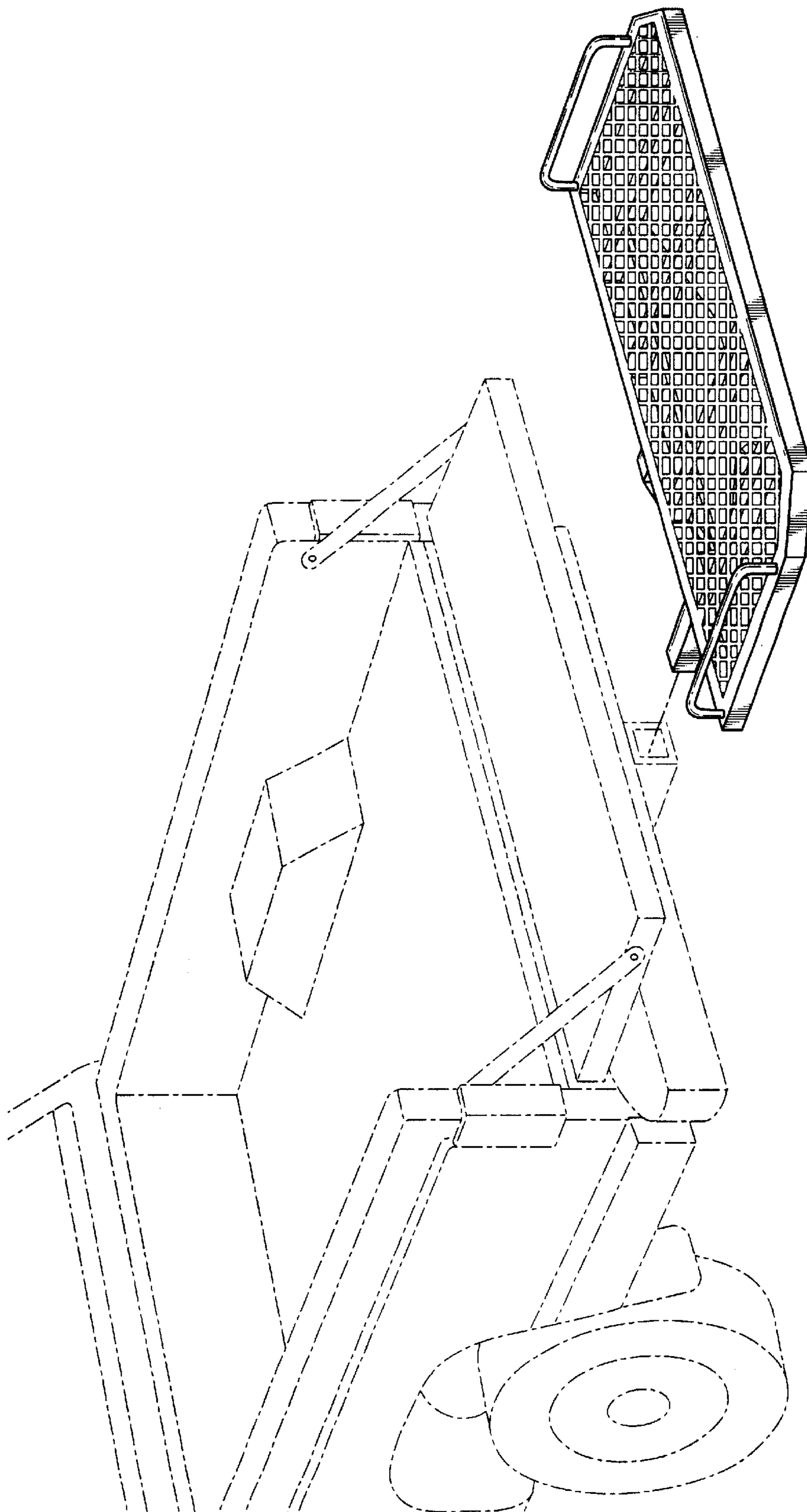


FIG. 1

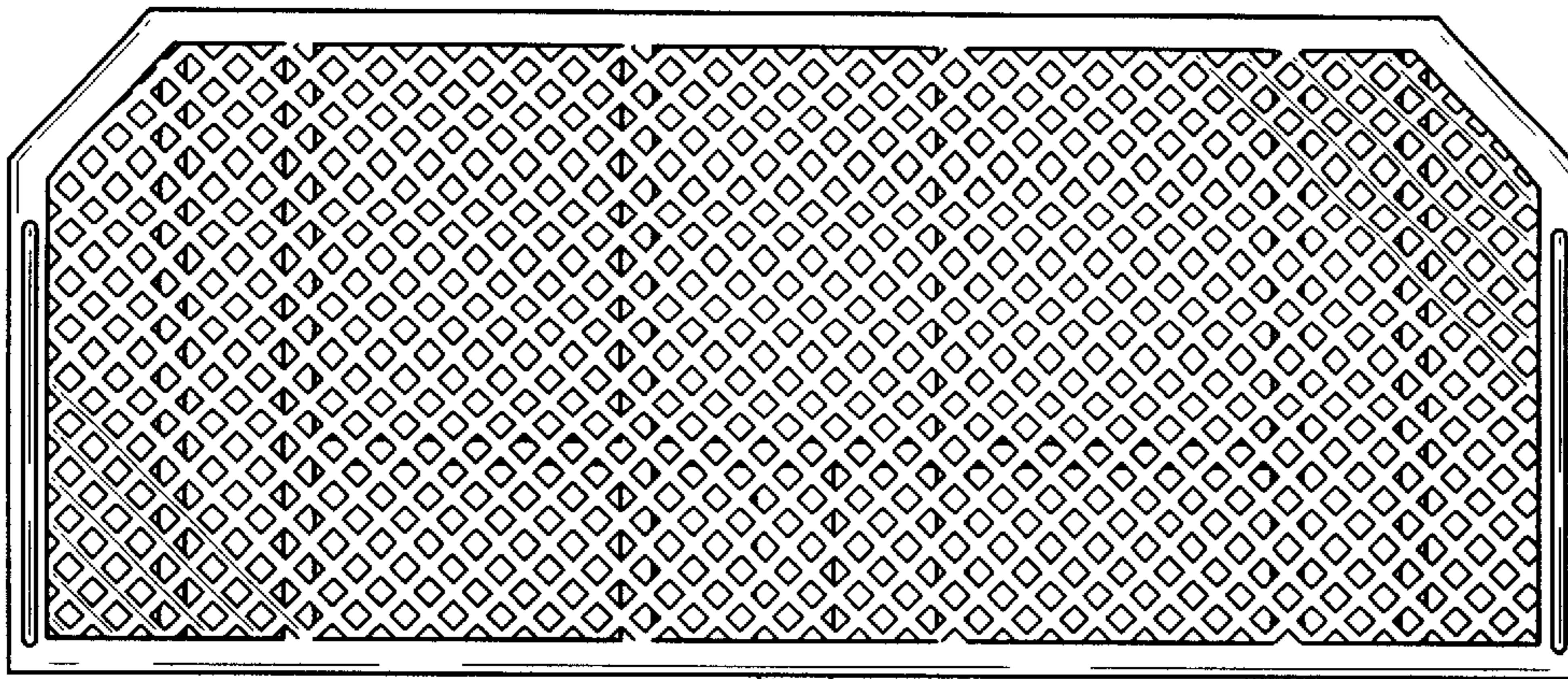


FIG. 2

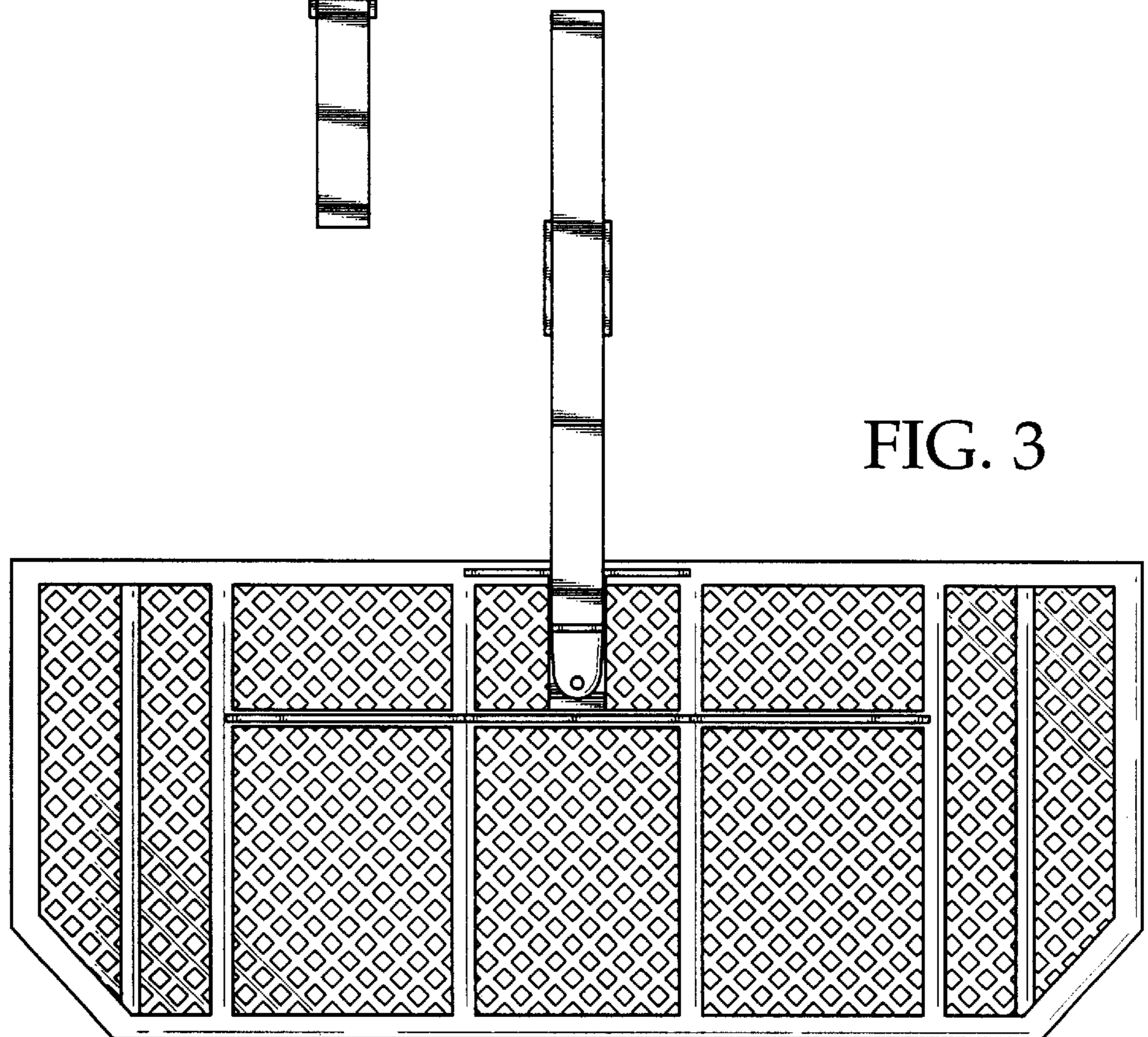


FIG. 3

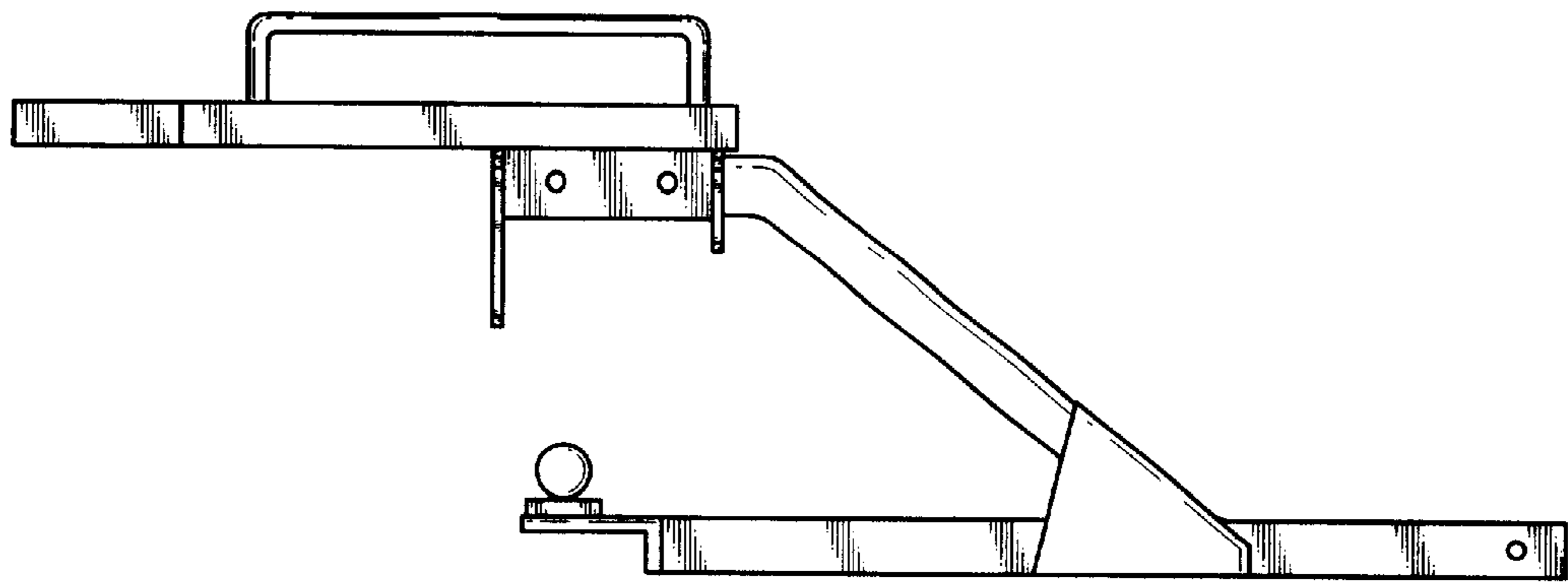


FIG. 4

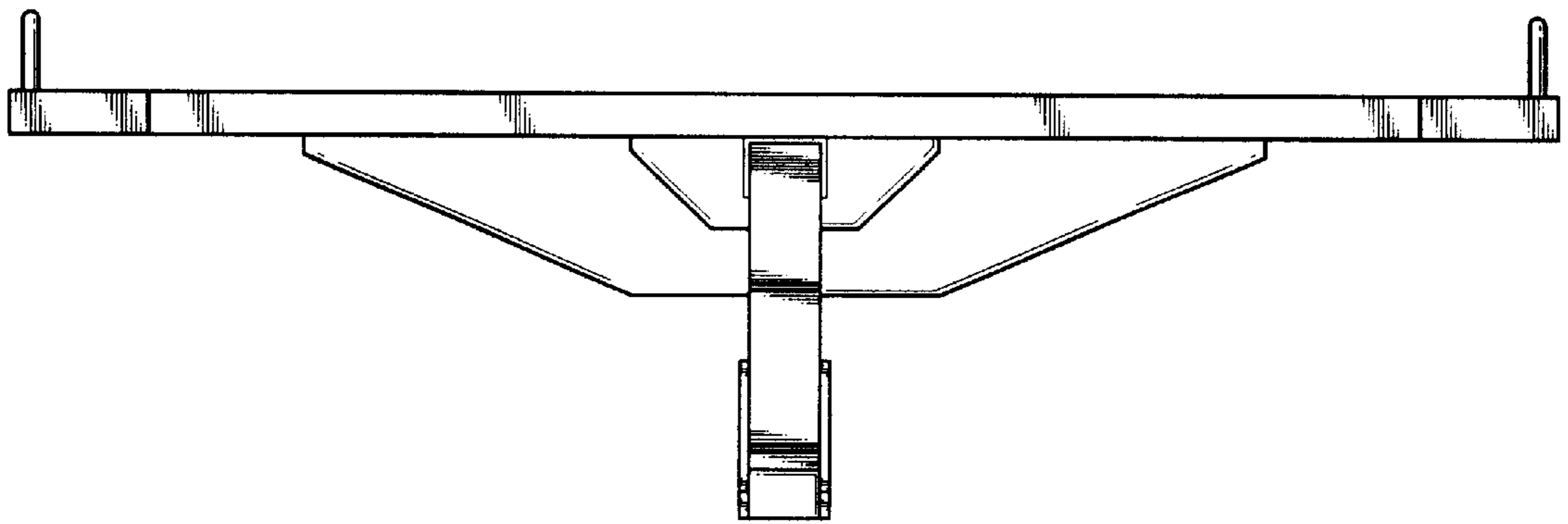


FIG. 5

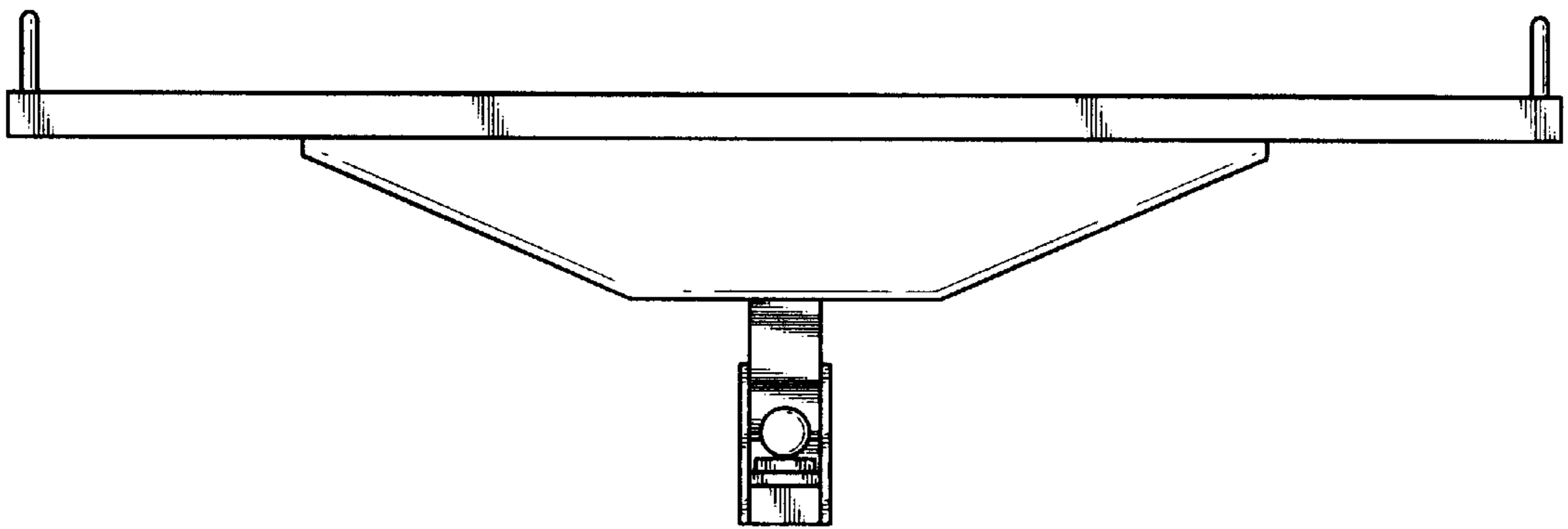


FIG. 6