



US00D441333S

(12) **United States Design Patent**
McBroom et al.

(10) **Patent No.:** **US D441,333 S**

(45) **Date of Patent:** **** May 1, 2001**

(54) **LICENSE PLATE FRAME**

(75) Inventors: **Byron L. McBroom**, Ripon; **Richard Dodd**, Manteca, both of CA (US)

(73) Assignee: **Hitchhiker Products, Inc.**, Manteca, CA (US)

(**) Term: **14 Years**

(21) Appl. No.: **29/126,126**

(22) Filed: **Jul. 7, 2000**

(51) **LOC (7) Cl.** **12-16**

(52) **U.S. Cl.** **D12/193**

(58) **Field of Search** D12/193; D6/300-303, D6/310-314; 40/200-203, 207-216

(56) **References Cited**

U.S. PATENT DOCUMENTS

D. 59,374	*	10/1921	Patterson	D12/193
D. 81,970	*	9/1930	Faith	D12/193
D. 105,000	*	6/1937	Duryea	D12/193
D. 105,001	*	6/1937	Duryea	D12/193
D. 106,718	*	10/1937	Carlson	D12/193
D. 257,341	*	10/1980	Blaser	D12/193
D. 342,929	*	1/1994	Spencer	D12/193
D. 365,077	*	12/1995	Lee	D12/193
D. 366,236	*	1/1996	Chu	D12/193
D. 377,637		1/1997	Berry, Jr.	..	

D. 379,611		6/1997	Berry, Jr.	..	
D. 382,214	*	8/1997	Moureaux	D12/193
D. 428,843	*	8/2000	Steinhagen	D12/193
1,792,445		2/1931	Price	..	
1,852,375		4/1932	Read	..	
1,864,641		6/1932	Davis	..	
2,077,142	*	4/1937	Buehner	D12/193 X
2,312,183		2/1943	Murfin	..	
2,579,537		12/1951	Berlekamp	..	
3,408,760		11/1968	Barr	..	

* cited by examiner

Primary Examiner—Stacia Cadmus

(74) *Attorney, Agent, or Firm*—Townsend and Townsend and Crew LLP

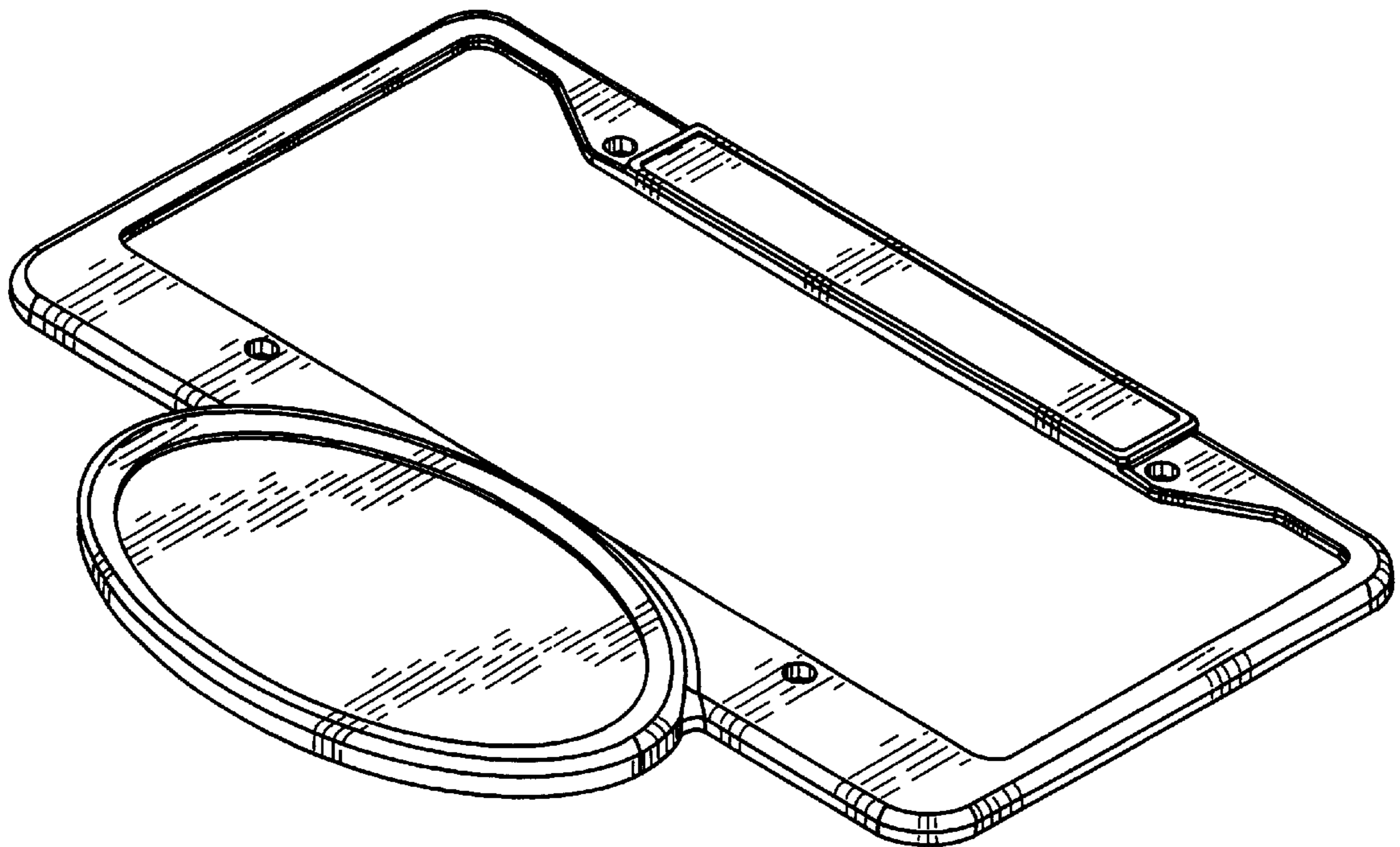
(57) **CLAIM**

The ornamental design for a license plate frame, as shown and described.

DESCRIPTION

FIG. 1 is a front perspective view of a license plate frame showing our new design; FIG. 2 is a rear perspective view thereof; FIG. 3 is a front elevation view thereof; FIG. 4 is a rear elevation view thereof; FIG. 5 is a left side elevation view thereof; FIG. 6 is a bottom plan view thereof; and, FIG. 7 is a top plan view thereof.

1 Claim, 6 Drawing Sheets



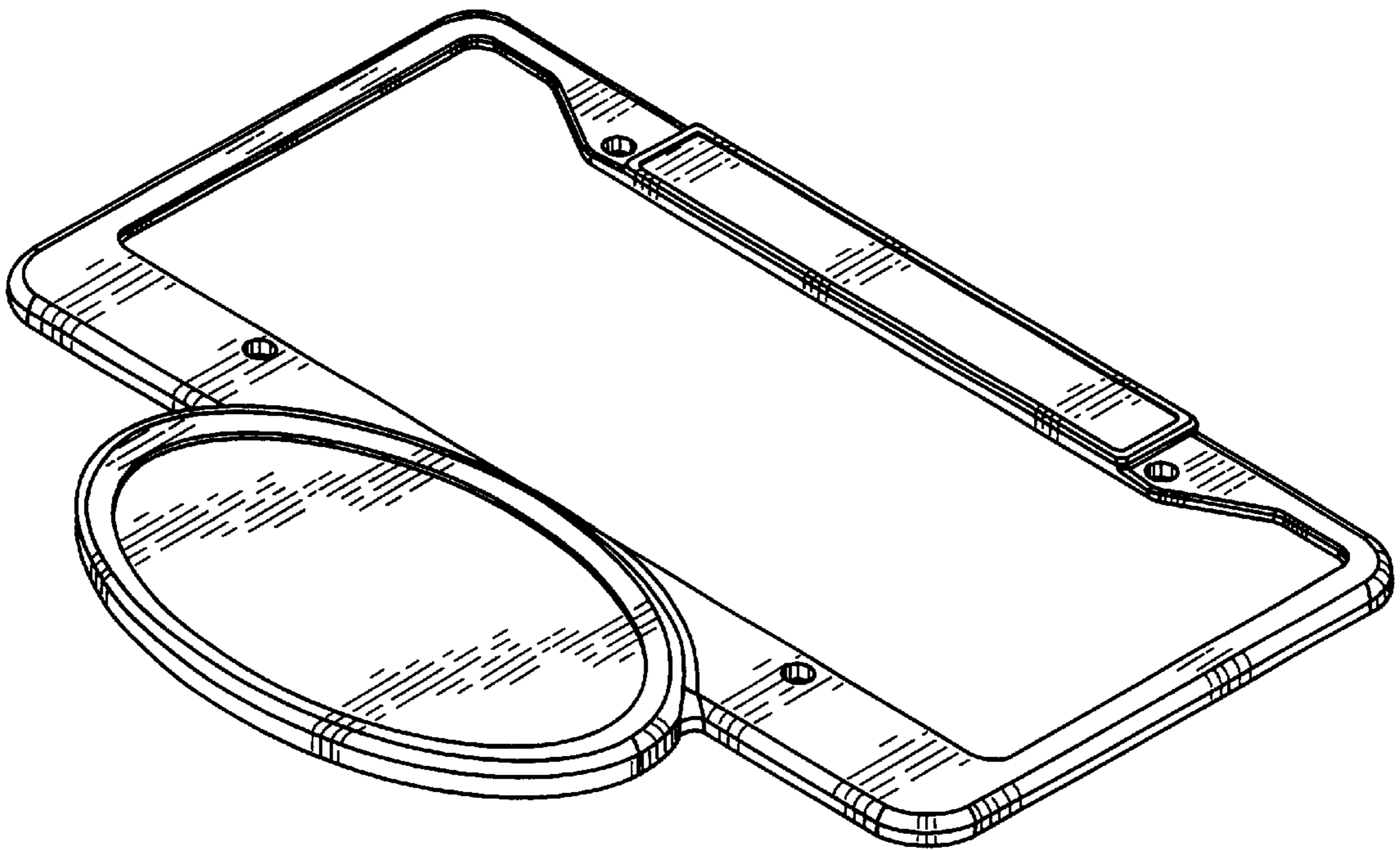


FIG. 1

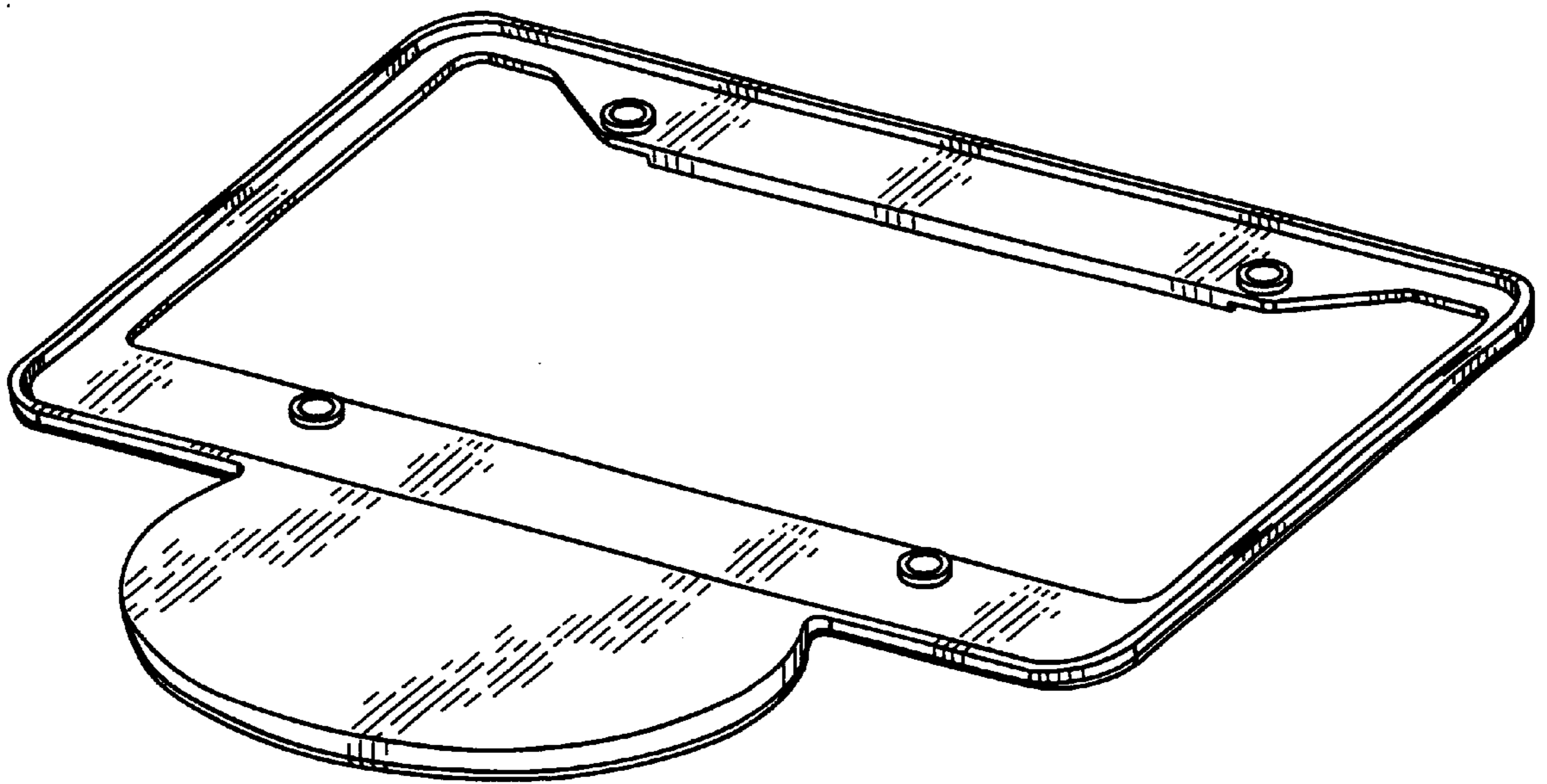


FIG. 2

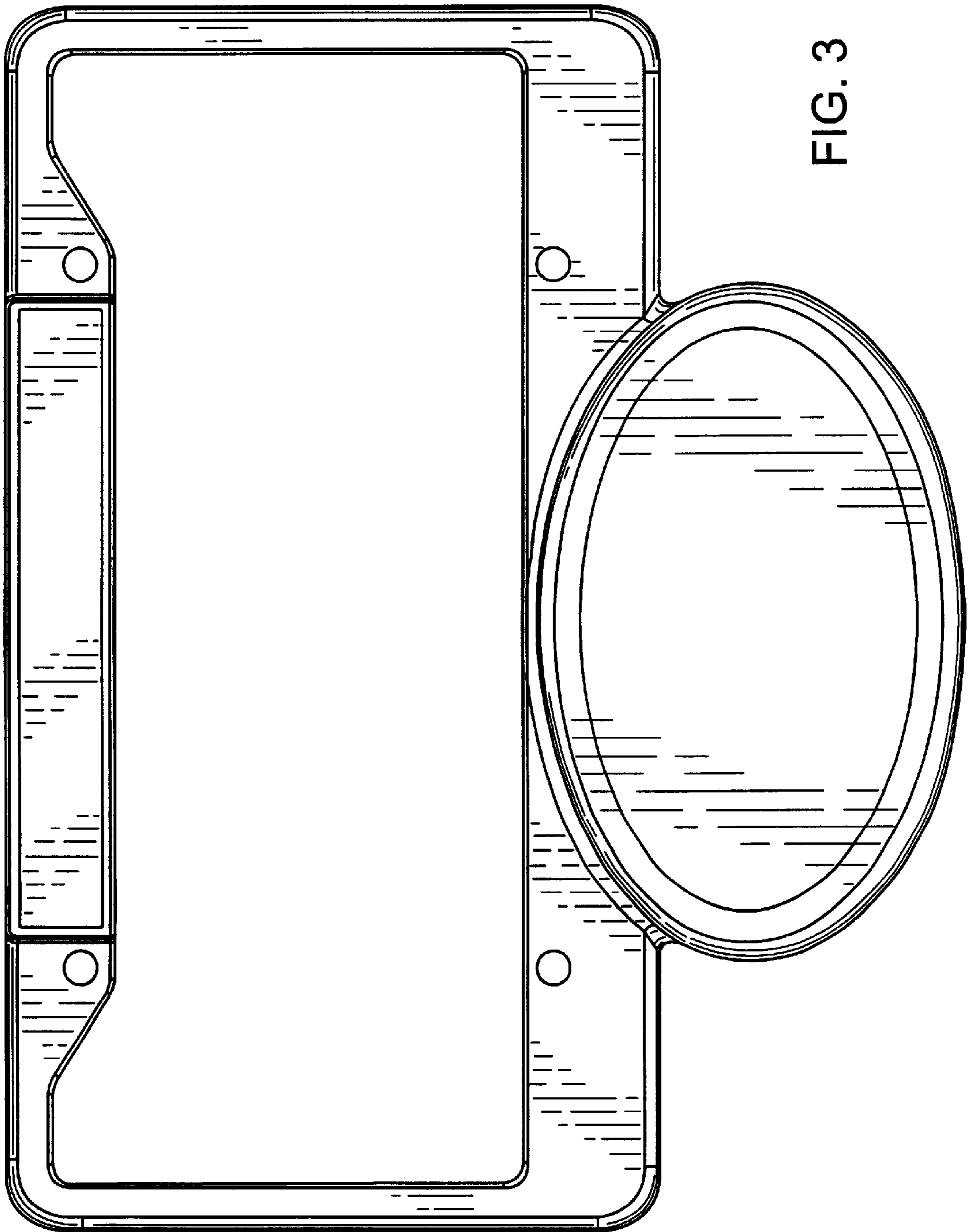


FIG. 3

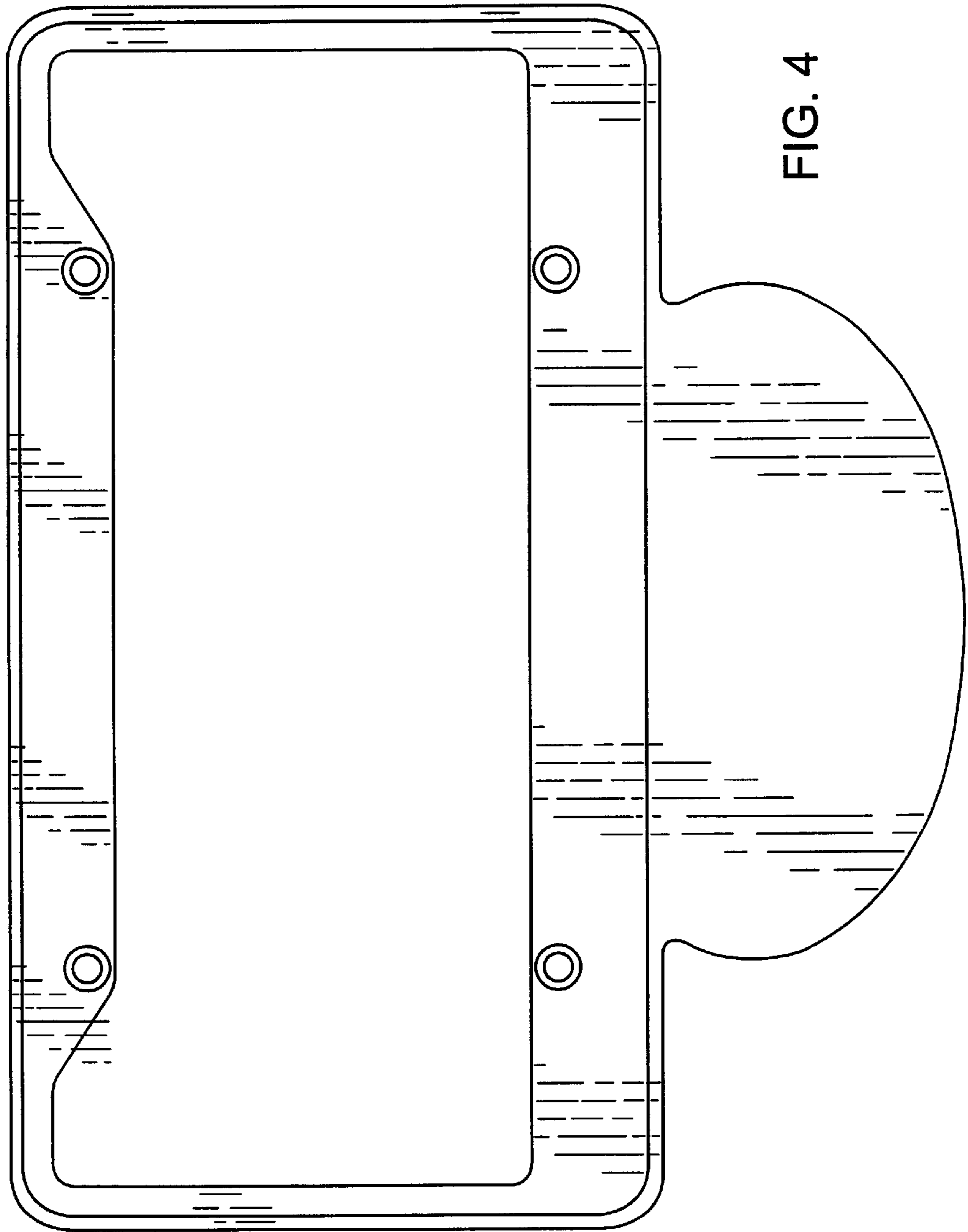


FIG. 4

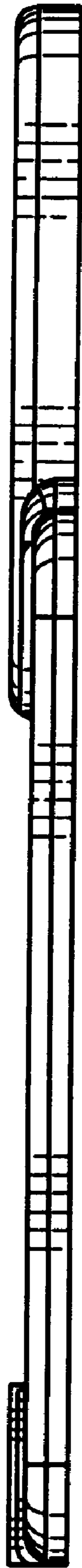


FIG. 5

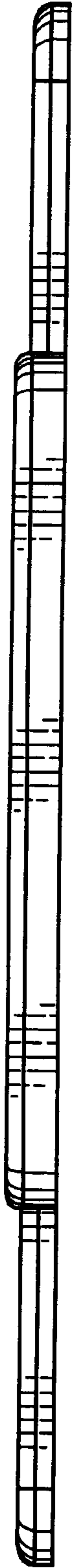


FIG. 6



FIG. 7