



US00D441323S

(12) **United States Design Patent**
Cheng

(10) **Patent No.:** **US D441,323 S**

(45) **Date of Patent:** **** May 1, 2001**

(54) **ELECTRIC VEHICLE**

1,872,142 * 8/1932 Holtzman 280/283

(76) Inventor: **Dar-Hsiang Cheng**, P.O. Box 90,
Tainan City (TW)

* cited by examiner

(**) Term: **14 Years**

Primary Examiner—Alan P. Douglas

Assistant Examiner—Linda Brooks

(21) Appl. No.: **29/126,873**

(57) **CLAIM**

(22) Filed: **Jul. 27, 2000**

The ornamental design for an electric vehicle, as shown and described.

(51) **LOC (7) Cl.** **12-11**

DESCRIPTION

(52) **U.S. Cl.** **D12/111**

(58) **Field of Search** D12/107, 110,
D12/111; D21/423; 180/219–221; 280/281.1,
283, 288.1, 288.3

FIG. 1 is a perspective view of an electric vehicle showing my design;

FIG. 2 is a front elevational view thereof;

FIG. 3 is a rear elevational view thereof;

FIG. 4 is a left side elevational view thereof;

FIG. 5 is a right side elevational view thereof;

FIG. 6 is a top plan view thereof; and,

FIG. 7 is a bottom plan view thereof.

(56) **References Cited**

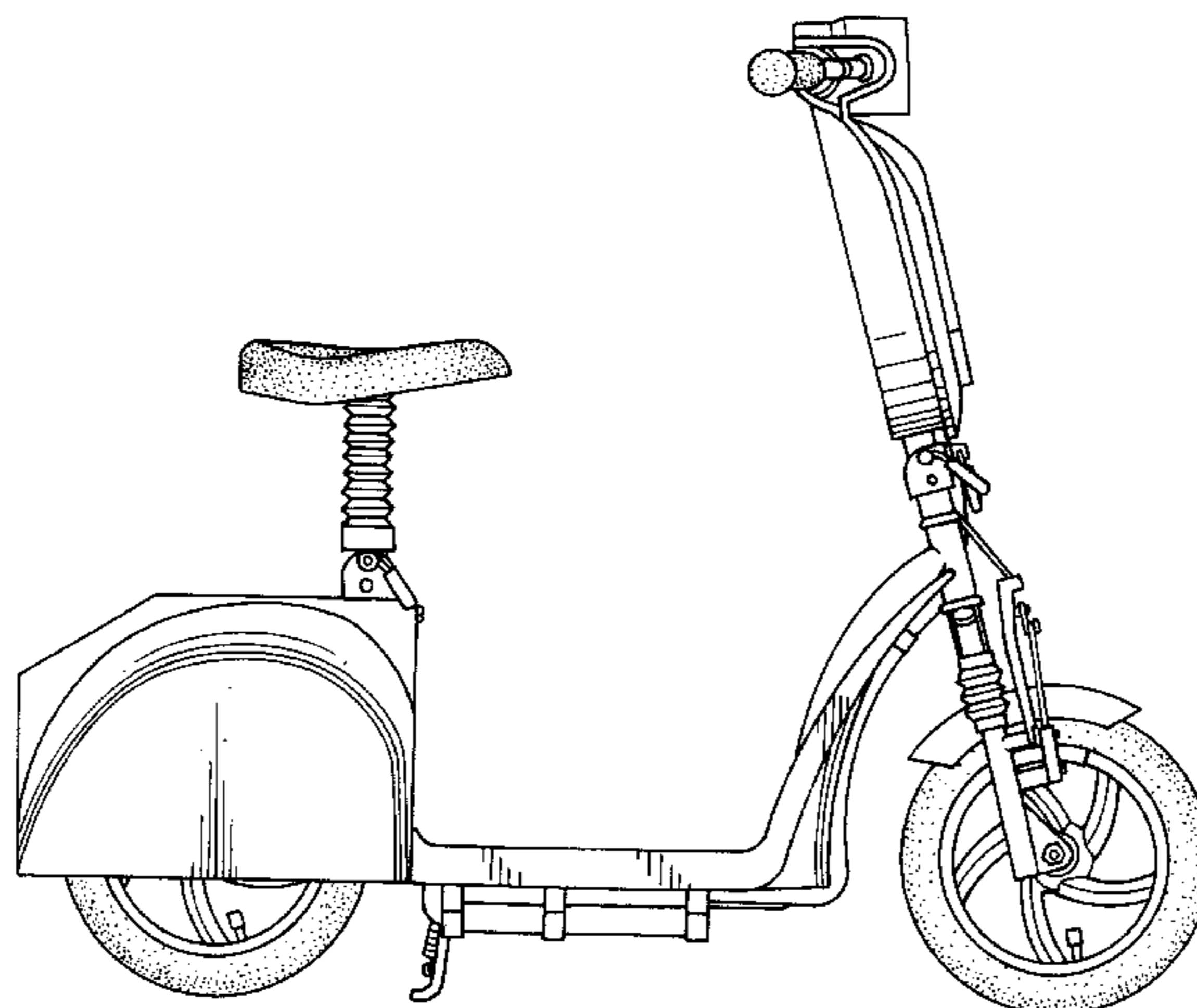
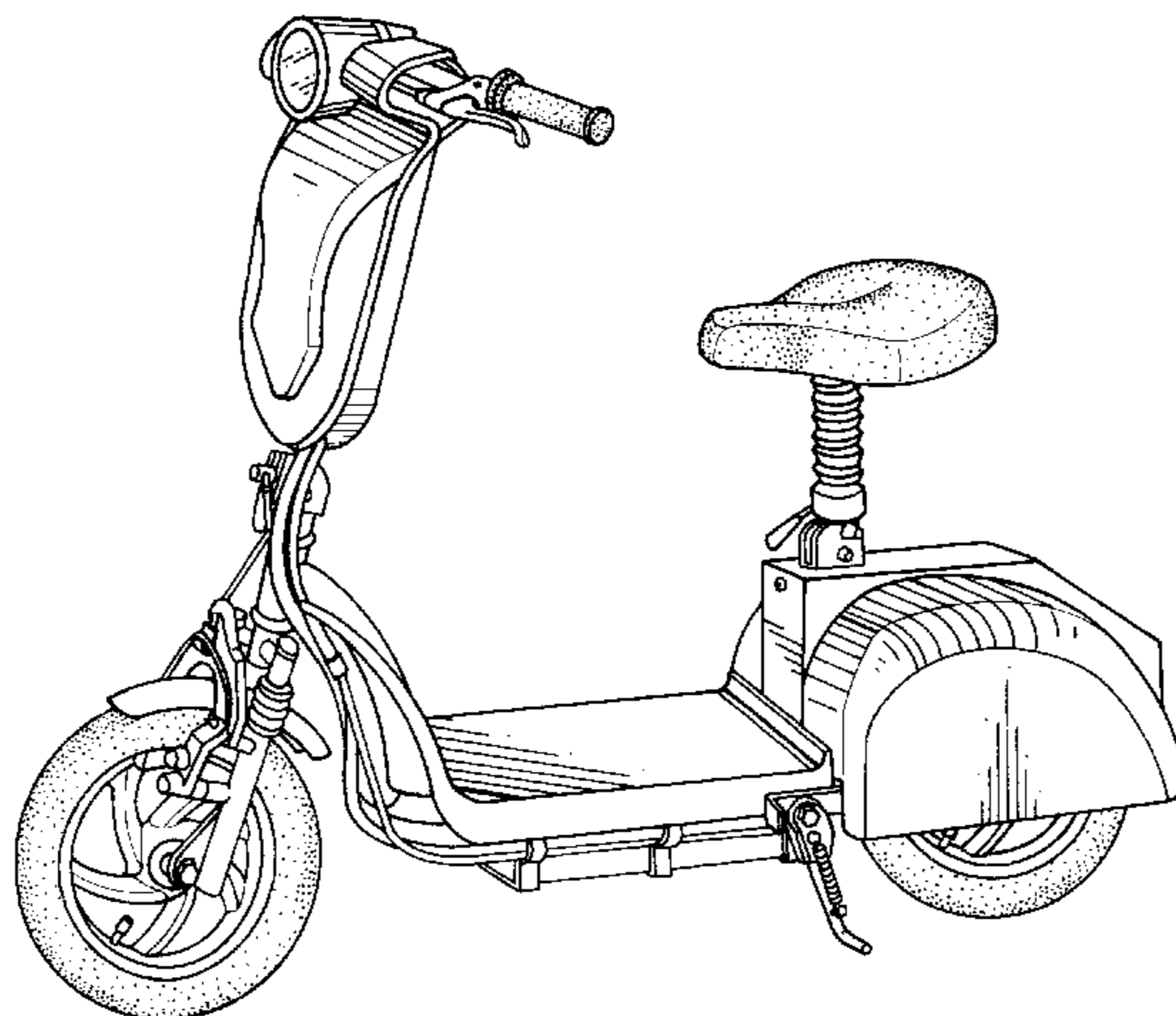
U.S. PATENT DOCUMENTS

D. 273,100 * 3/1984 Ziegler D12/111

D. 342,926 * 1/1994 Russell D12/111

D. 414,721 * 10/1999 Nakamura D12/111

1 Claim, 5 Drawing Sheets



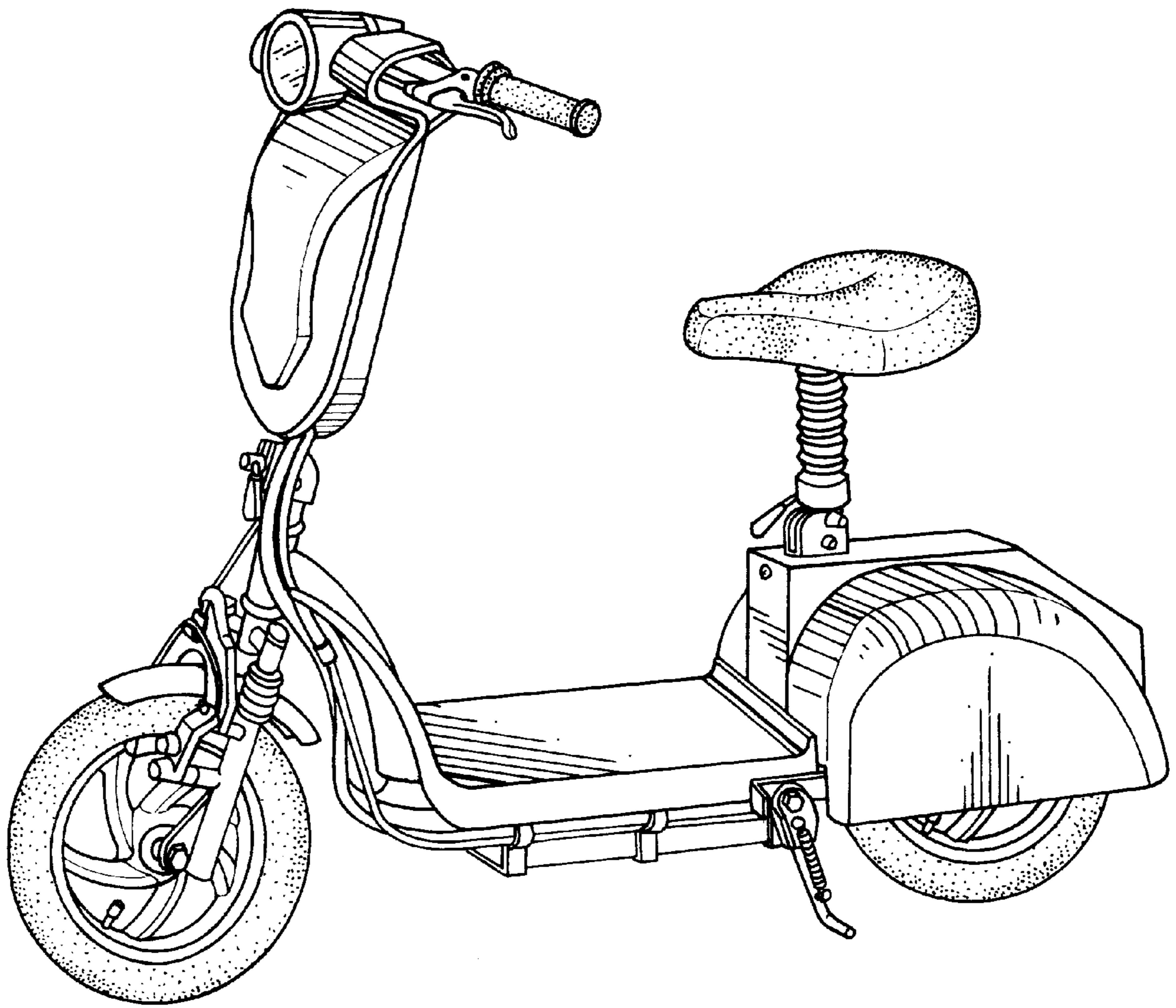


FIG. 1

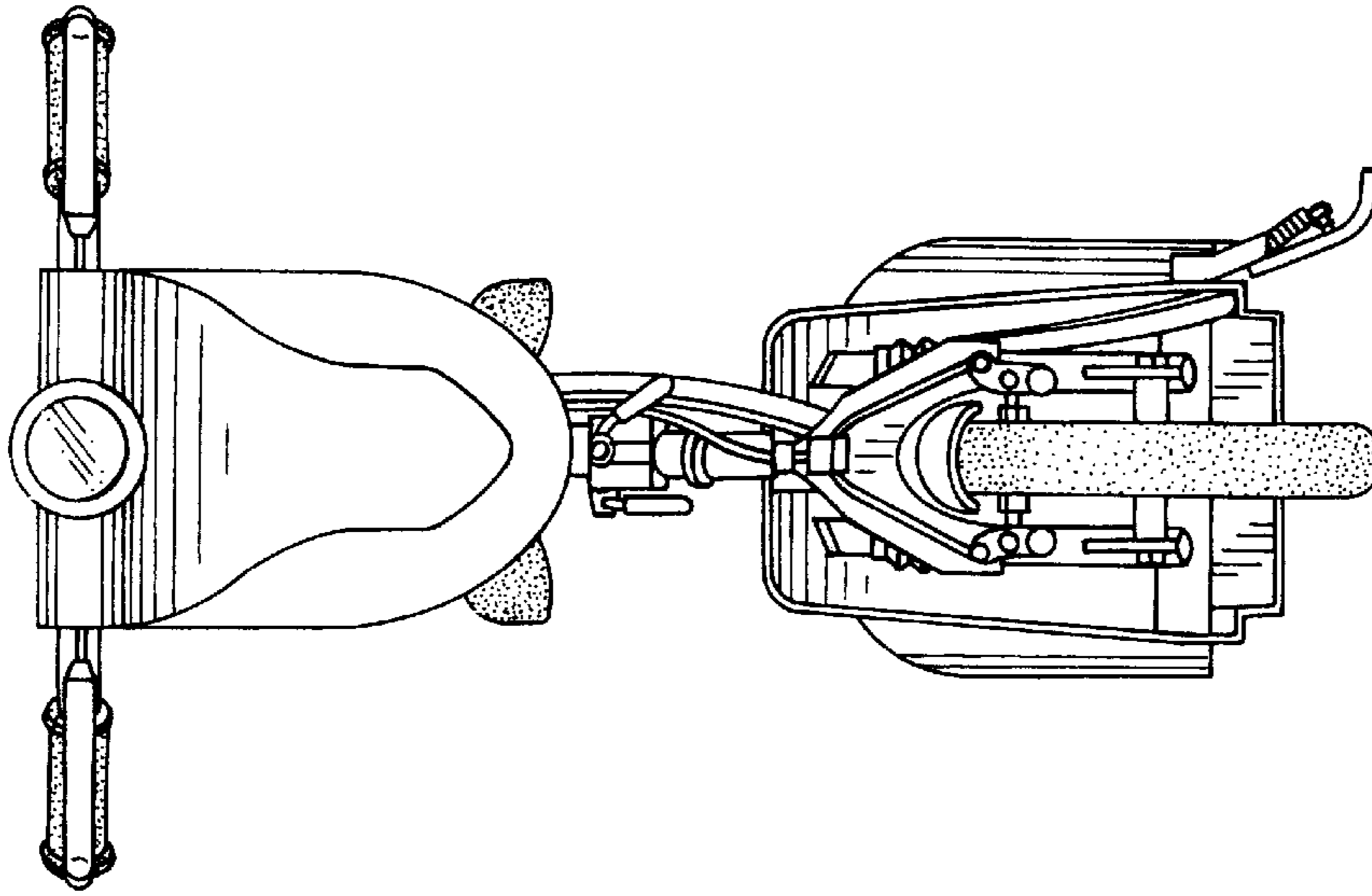


FIG. 2

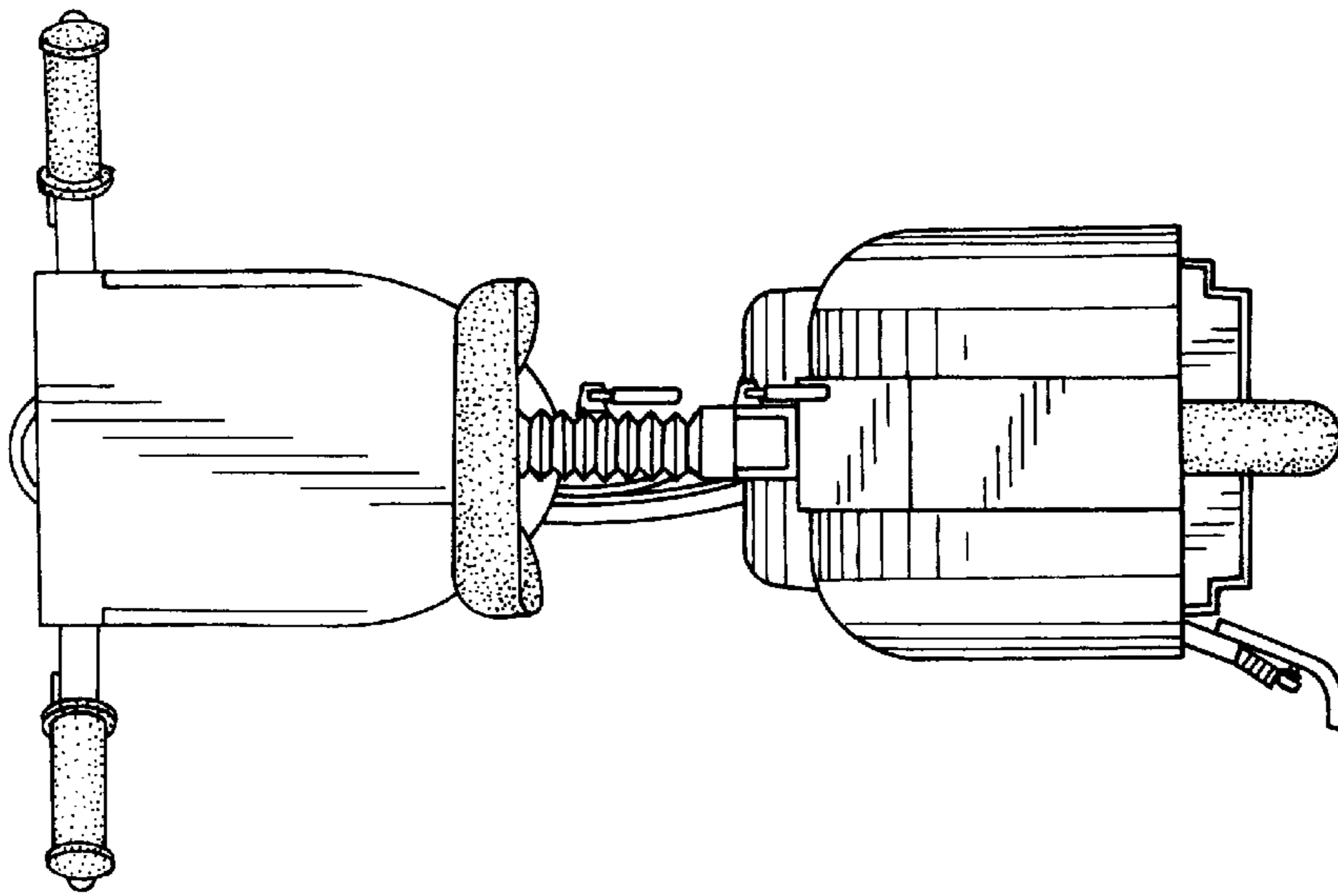


FIG. 3

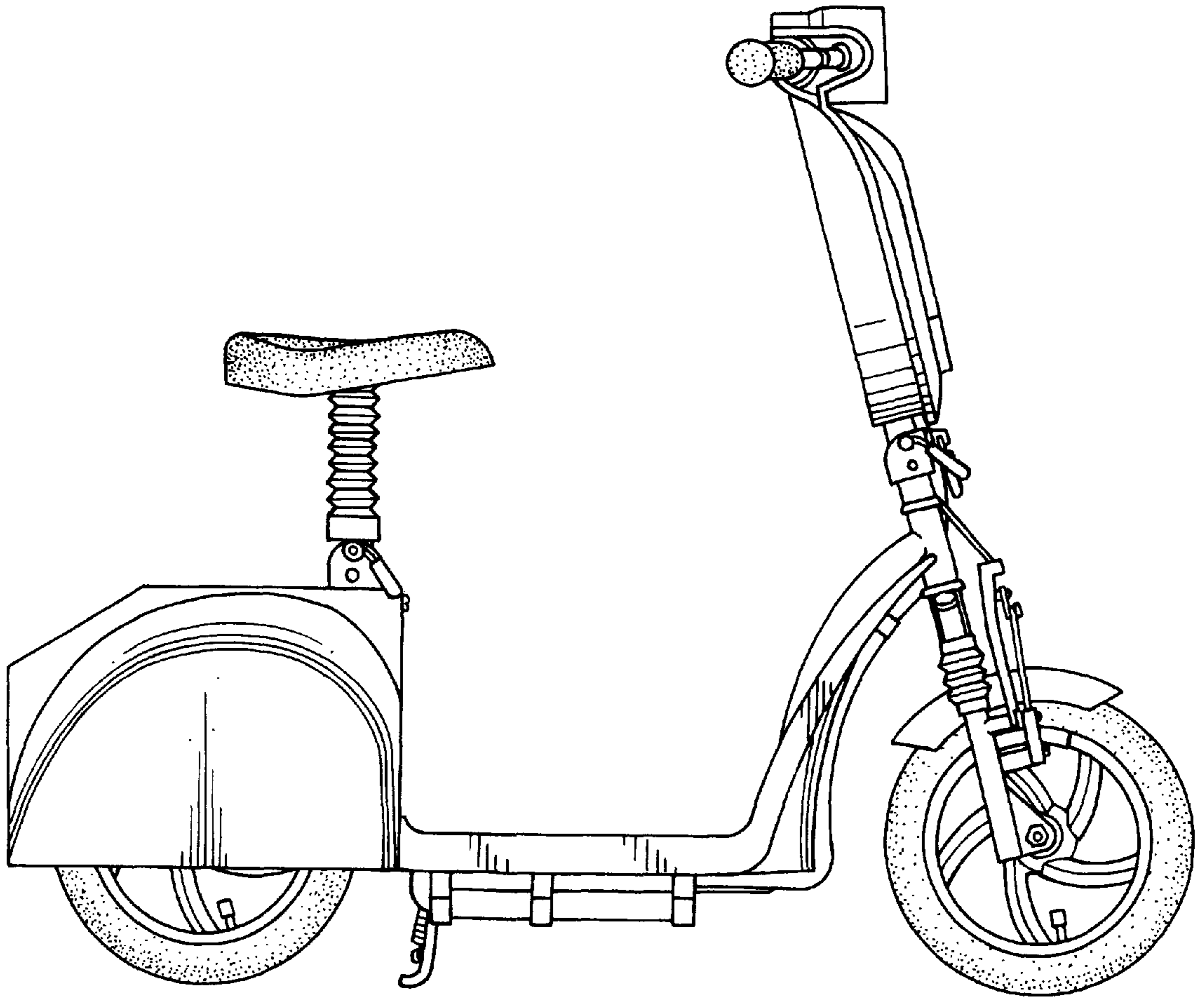


FIG. 4

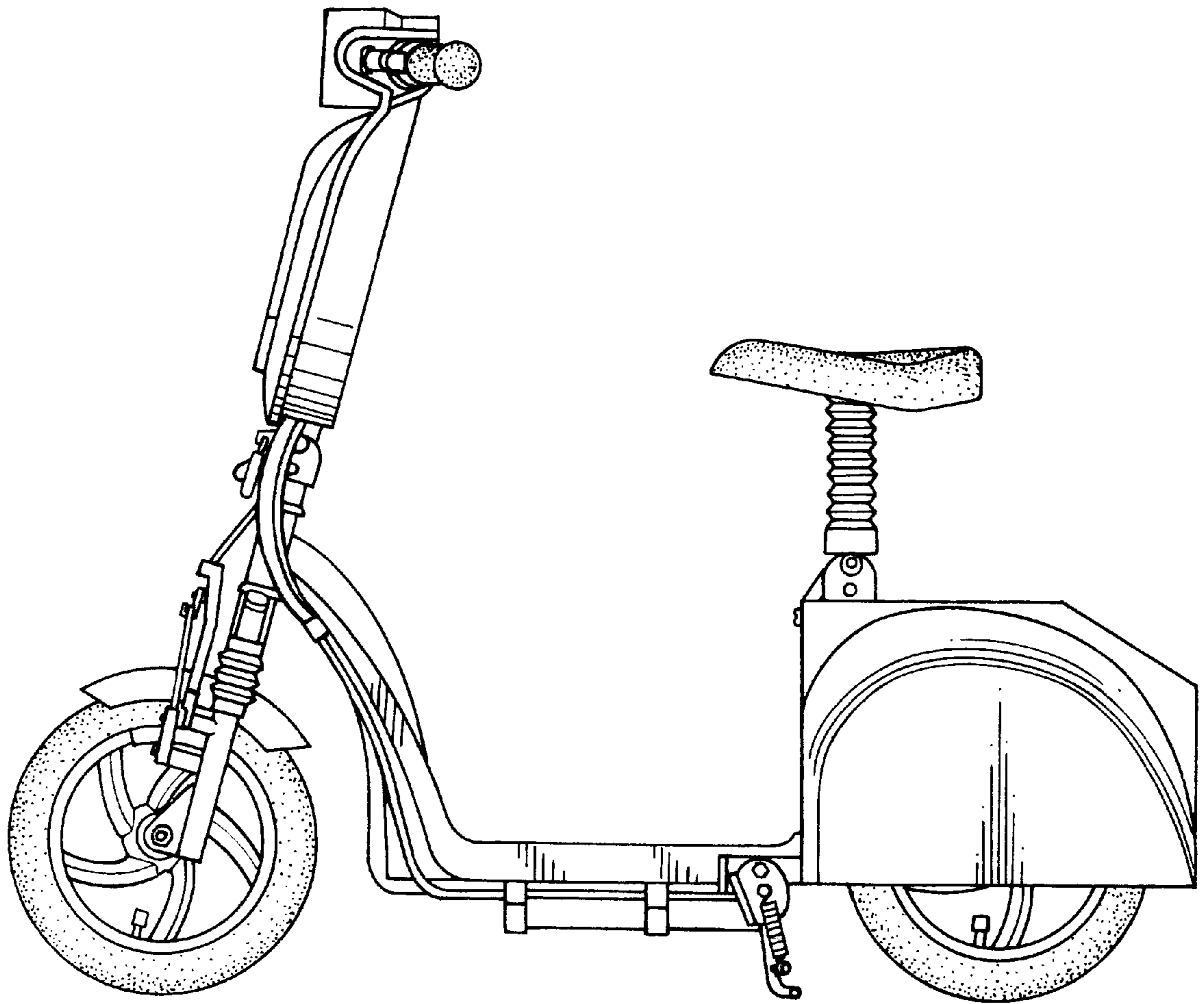


FIG. 5

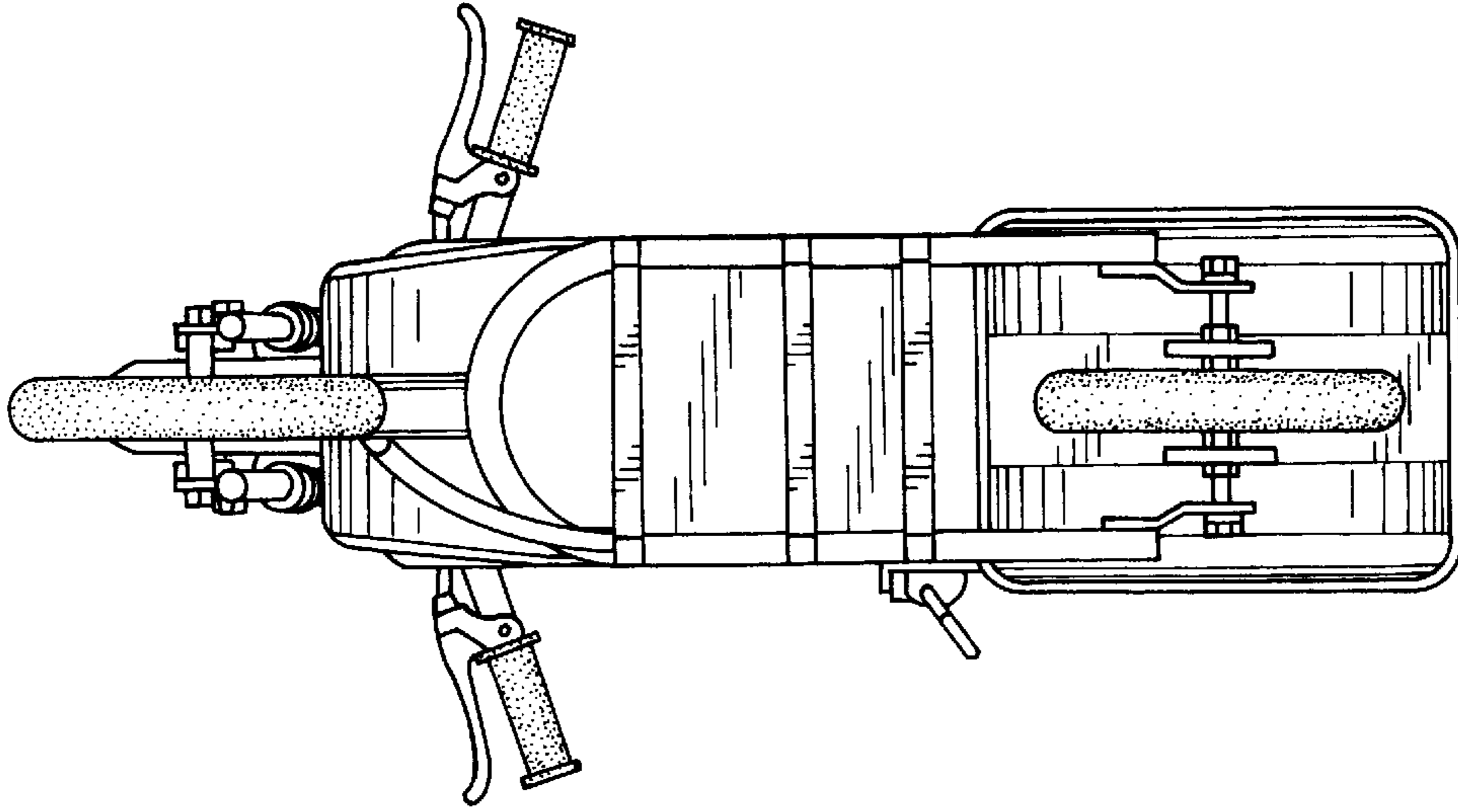


FIG. 7

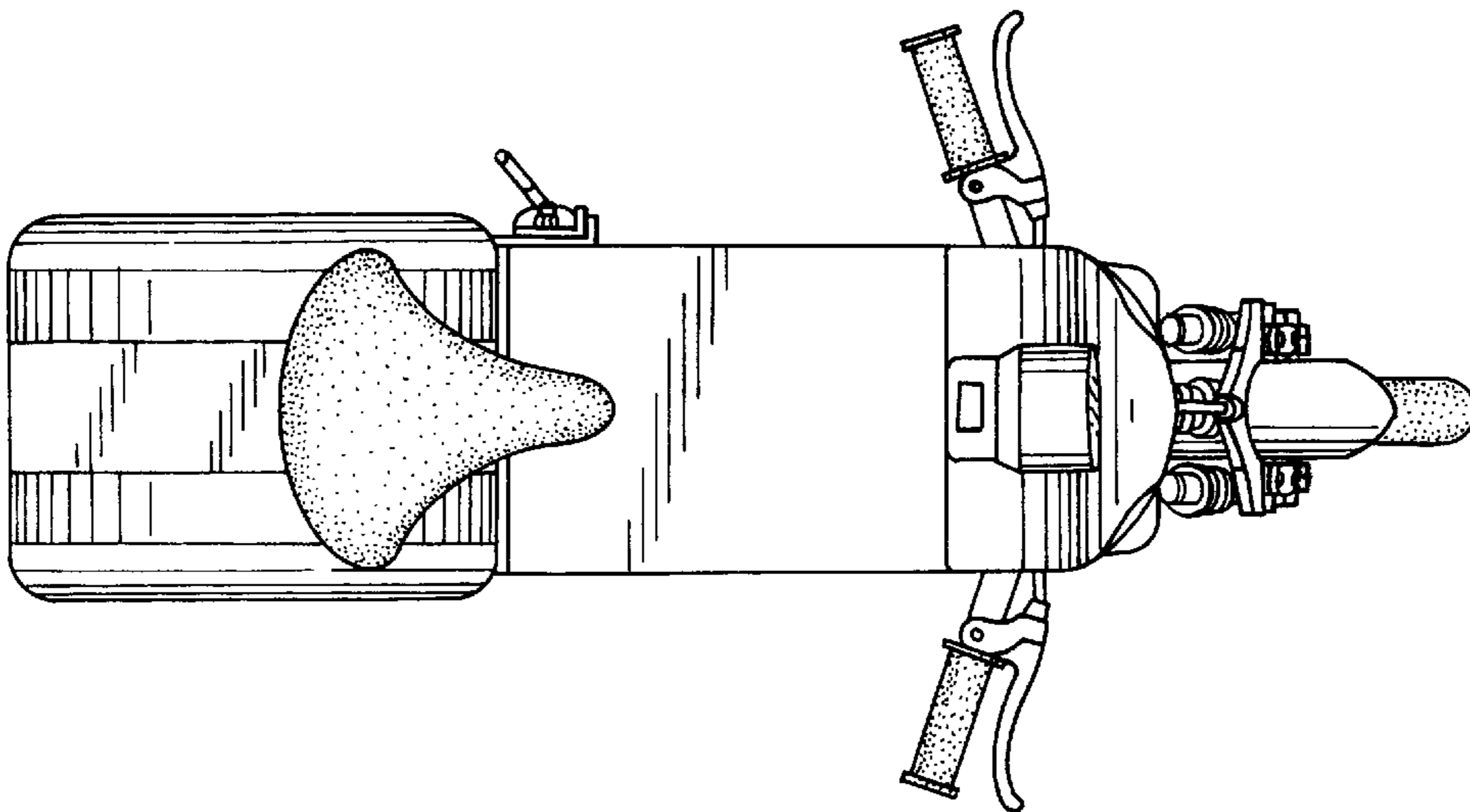


FIG. 6