



US00D441319S

(12) **United States Design Patent**  
**Yoneoka**

(10) **Patent No.:** **US D441,319 S**

(45) **Date of Patent:** **\*\* May 1, 2001**

(54) **SLIDER FOR A SLIDE FASTENER**

(75) Inventor: **Morimasa Yoneoka**, Toyama-ken (JP)

(73) Assignee: **YKK Corporation**, Tokyo (JP)

(\*\*) Term: **14 Years**

(21) Appl. No.: **29/117,989**

(22) Filed: **Feb. 2, 2000**

(30) **Foreign Application Priority Data**

Aug. 26, 1999 (JP) ..... 11-23028

(51) **LOC (7) Cl.** ..... **02-07**

(52) **U.S. Cl.** ..... **D11/221**

(58) **Field of Search** ..... D11/200, 221;  
24/415, 430, 427, 429, 382, 416, 431, 421

(56) **References Cited**

**FOREIGN PATENT DOCUMENTS**

50-47 2/1982 (JP) .

*Primary Examiner*—Ralf Seifert

(74) *Attorney, Agent, or Firm*—Finnegan, Henderson, Farabow, Garrett & Dunner, L.L.P.

(57) **CLAIM**

The ornamental design for a slider for a slide fastener, as shown and described.

**DESCRIPTION**

FIG. 1 is a front view of a slider for a slide fastener.

FIG. 2 is a right side view of the slider of FIG. 1.

FIG. 3 is a rear view of the slider of FIG. 1.

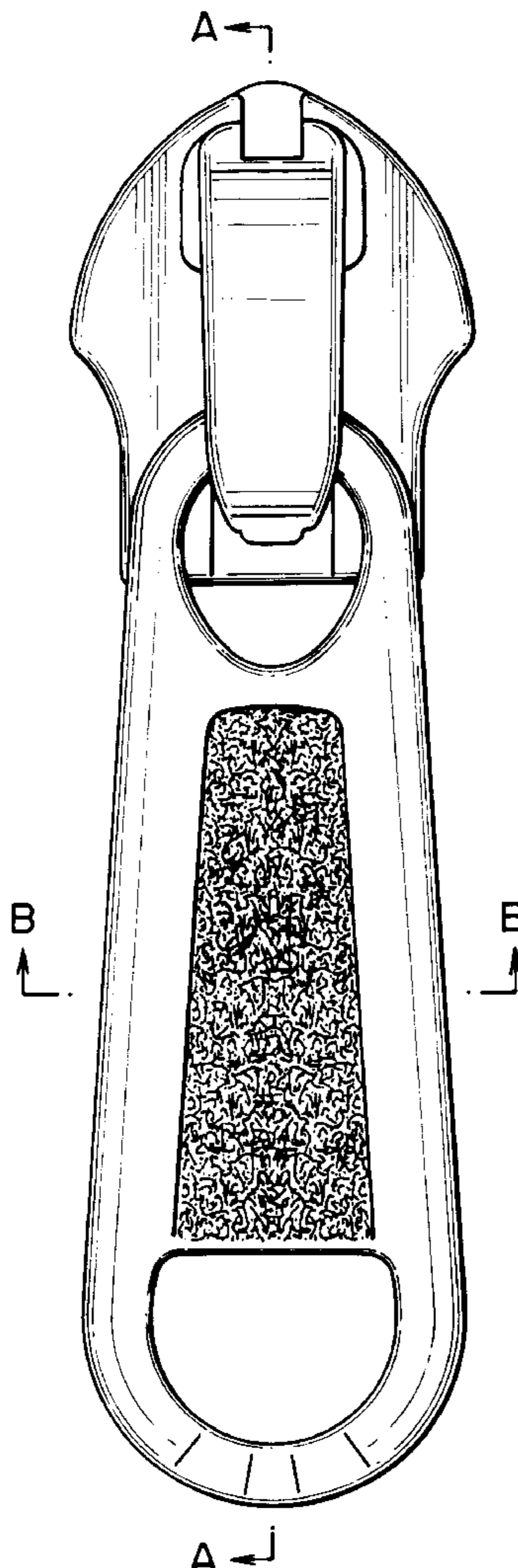
FIG. 4 is a plan view of the slider of FIG. 1.

FIG. 5 is a base view of the slider of FIG. 1.

FIG. 6 is a cross-sectional view taken along the line 6—6 of FIG. 1; and,

FIG. 7 is a cross-sectional view taken along the line 7—7 of FIG. 1.

**1 Claim, 3 Drawing Sheets**



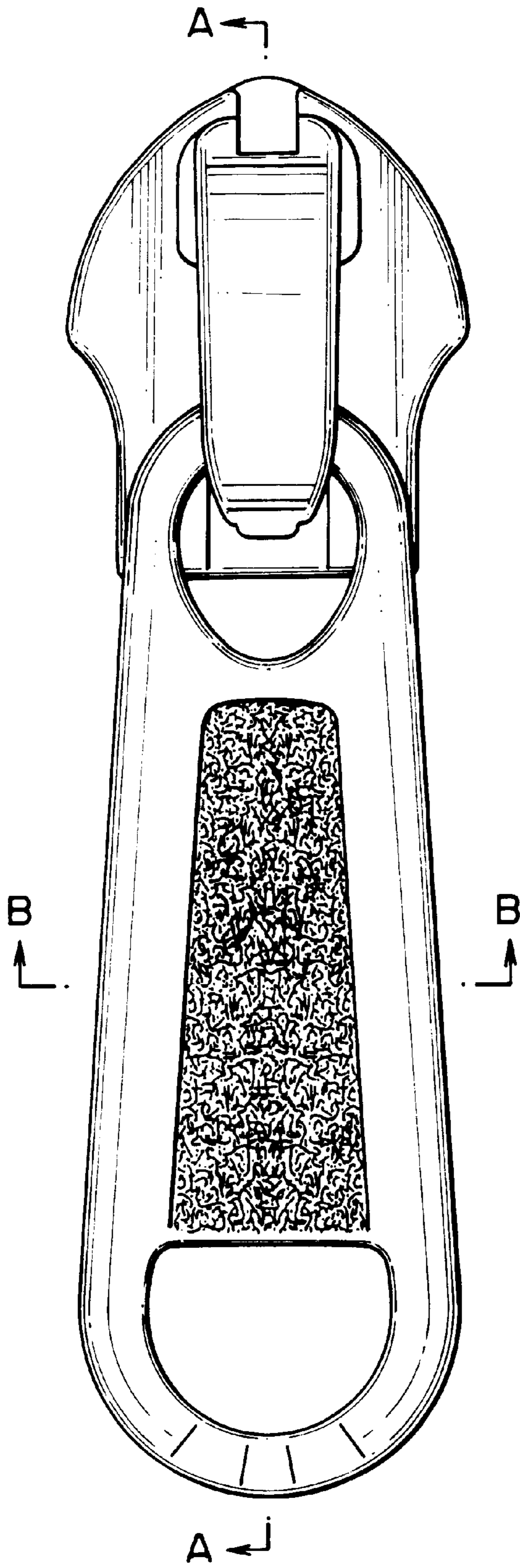


FIG. 1

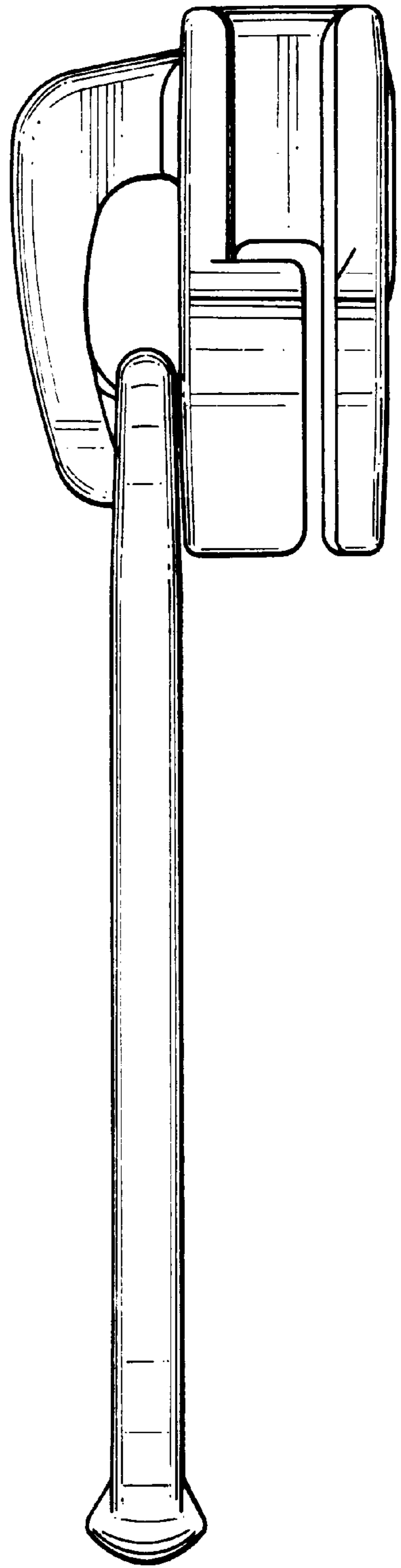


FIG. 2

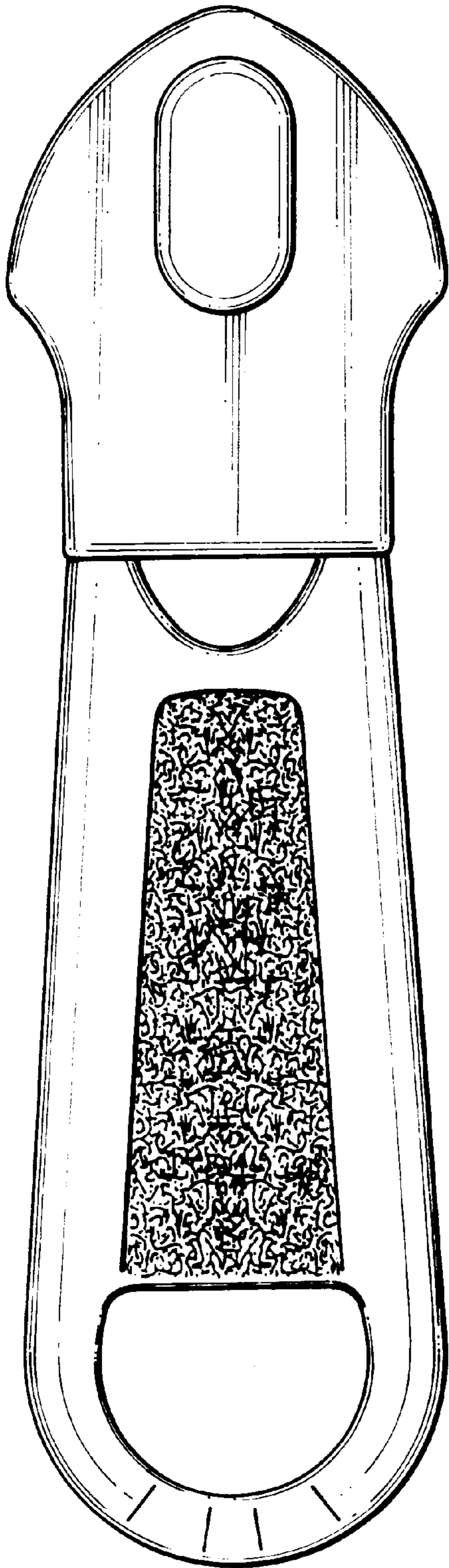


FIG. 3

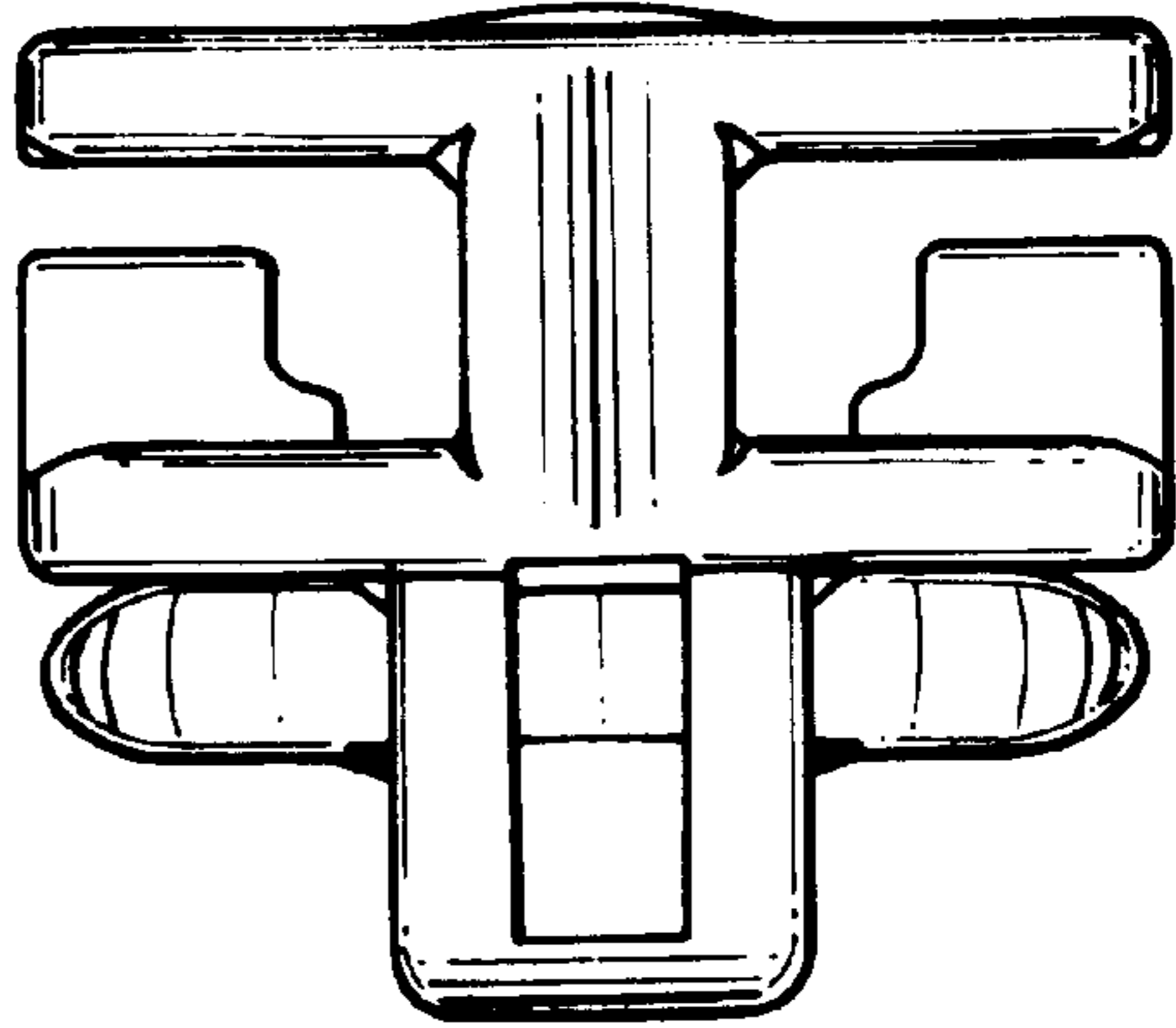


FIG. 4

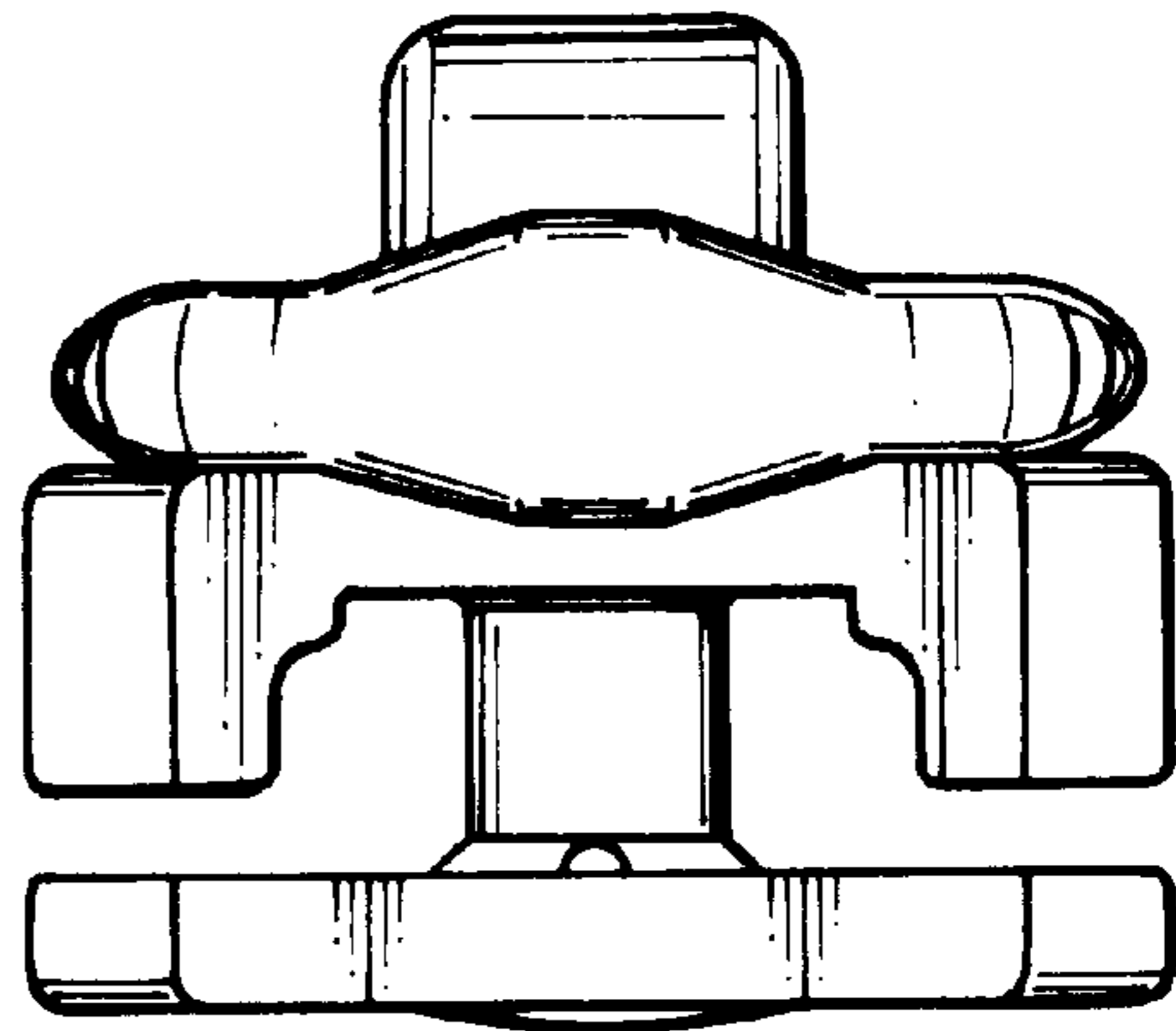


FIG. 5

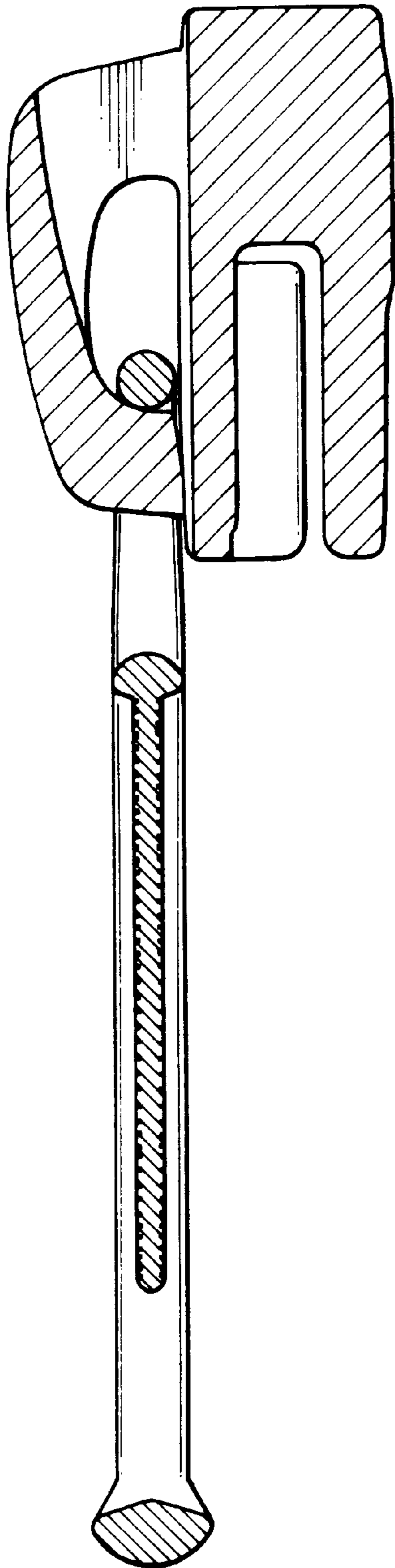


FIG. 6

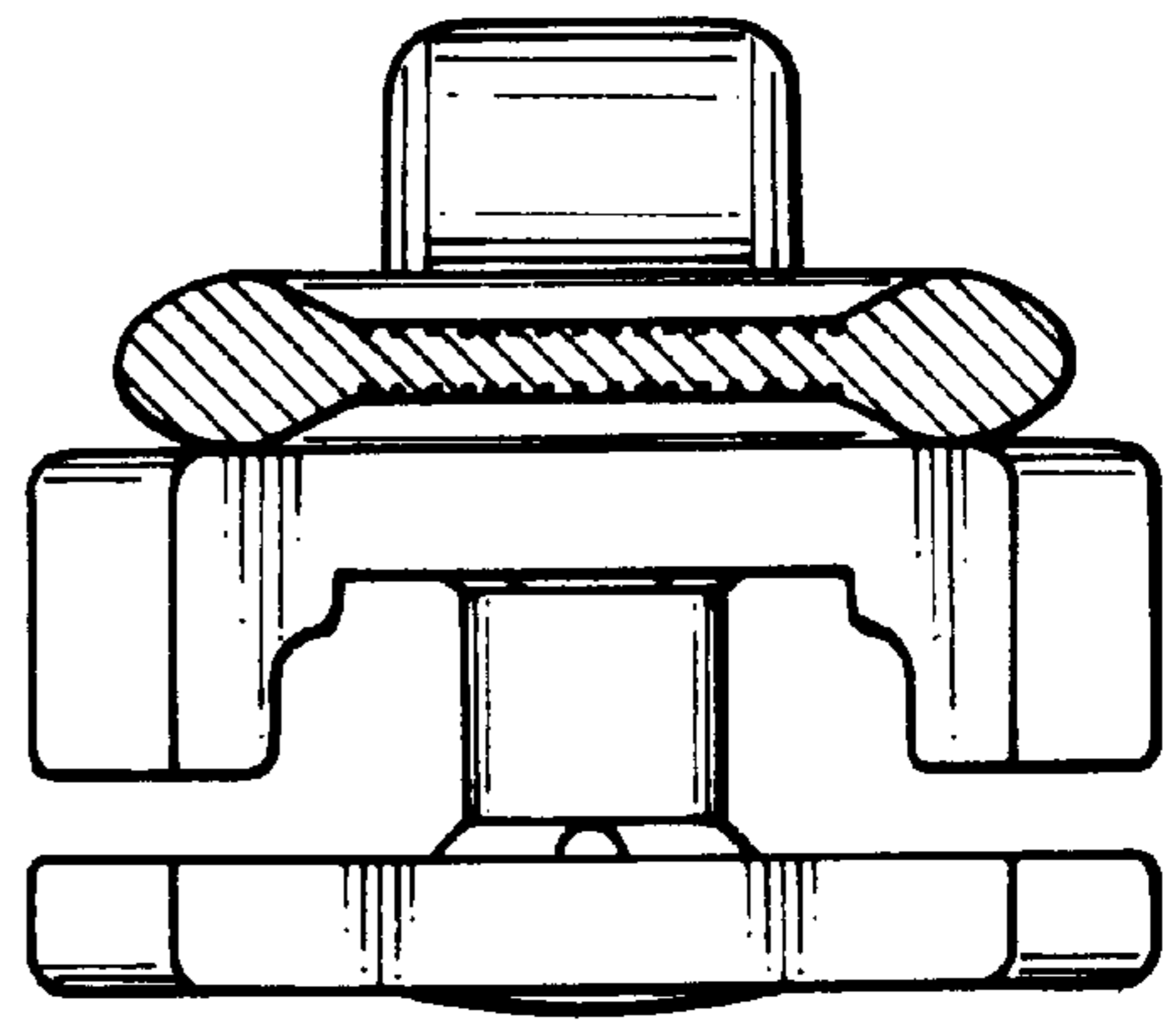


FIG. 7