



US00D441317S

(12) **United States Design Patent** (10) **Patent No.:** **US D441,317 S**
Nire (45) **Date of Patent:** **** May 1, 2001**

(54) **BUTTON**

(75) Inventor: **Takao Nire, Yokohama (JP)**

(73) Assignee: **Yamato Shoji Kabushiki Kaisha, Tokyo (JP)**

(**) Term: **14 Years**

(21) Appl. No.: **29/101,885**

(22) Filed: **Mar. 12, 1999**

(30) **Foreign Application Priority Data**

Sep. 15, 1998 (JP) 10-26530

(51) **LOC (7) Cl.** **02-07**

(52) **U.S. Cl.** **D11/220**

(58) **Field of Search** D11/200-220,
D11/231, 224; 24/96, 3.1, 303, 90.1, 695,
201; D8/382

(56) **References Cited**

U.S. PATENT DOCUMENTS

- D. 350,501 * 9/1994 Schriever D11/220
- D. 360,391 * 7/1995 Aoki D11/220
- D. 383,414 * 9/1997 McDonough D11/220
- D. 425,444 * 5/2000 Koroki D11/220
- 520,621 * 5/1894 Stowe 24/96
- 1,439,327 * 12/1922 Puc 24/695

* cited by examiner

Primary Examiner—Louis S. Zarfaz

Assistant Examiner—Catherine R. Oliver

(74) *Attorney, Agent, or Firm*—Ladas & Parry

(57) **CLAIM**

The ornamental design of a “button”, as shown and described.

DESCRIPTION

FIG. 1 is a front view illustrating the male portion of the “button”

FIG. 2 is a rear elevation thereof

FIG. 3 is a right side view thereof

FIG. 4 is a left side view thereof

FIG. 5 is a plan view thereof

FIG. 6 is a bottom plan view thereof

FIG. 7 is a section view thereof taken along with the line 7—7 of FIG. 1

FIG. 8 is a section view thereof taken along with the line 8—8 of FIG. 2

FIG. 9 is a front view illustrating the female portion of the “button”

FIG. 10 is a rear elevation thereof

FIG. 11 is a right side view thereof

FIG. 12 is a left side view thereof

FIG. 13 is a plan view thereof

FIG. 14 is a bottom plan view thereof

FIG. 15 is a section view thereof taken along with the line A—A' of the front view in FIG. 9

FIG. 16 is a section view thereof taken along with the line B—B' of the rear elevation in FIG. 10

FIG. 17 is a front view illustrating the female portion and male portion of the button, being detachably connected.

FIG. 18 is a rear elevation thereof

FIG. 19 is a right side view thereof

FIG. 20 is a left side view thereof

FIG. 21 is a plan view thereof

FIG. 22 is a bottom plan view thereof

FIG. 23 is a section view thereof taken along with the line 23—23 of FIG. 17

FIG. 24 is a section view thereof taken along with the line 24—24 of FIG. 18

FIG. 25 is an enlarged perspective view of the male portion having a central protrusion

FIG. 26 is an enlarged perspective view of the female portion having a central recess

FIG. 27 is an enlarged perspective view of the male portion and female portion, being opposite each other; and,

FIG. 28 is an enlarged perspective view of the male portion and female portion, being detachably connected.

The “button” comprises a combination of two portions, i.e., a male portion and a female portion. The female portion is provided with a cylindrical magnet. The male portion is detachably connected with the female portion by magnetic attraction of a cylindrical magnet.

1 Claim, 8 Drawing Sheets

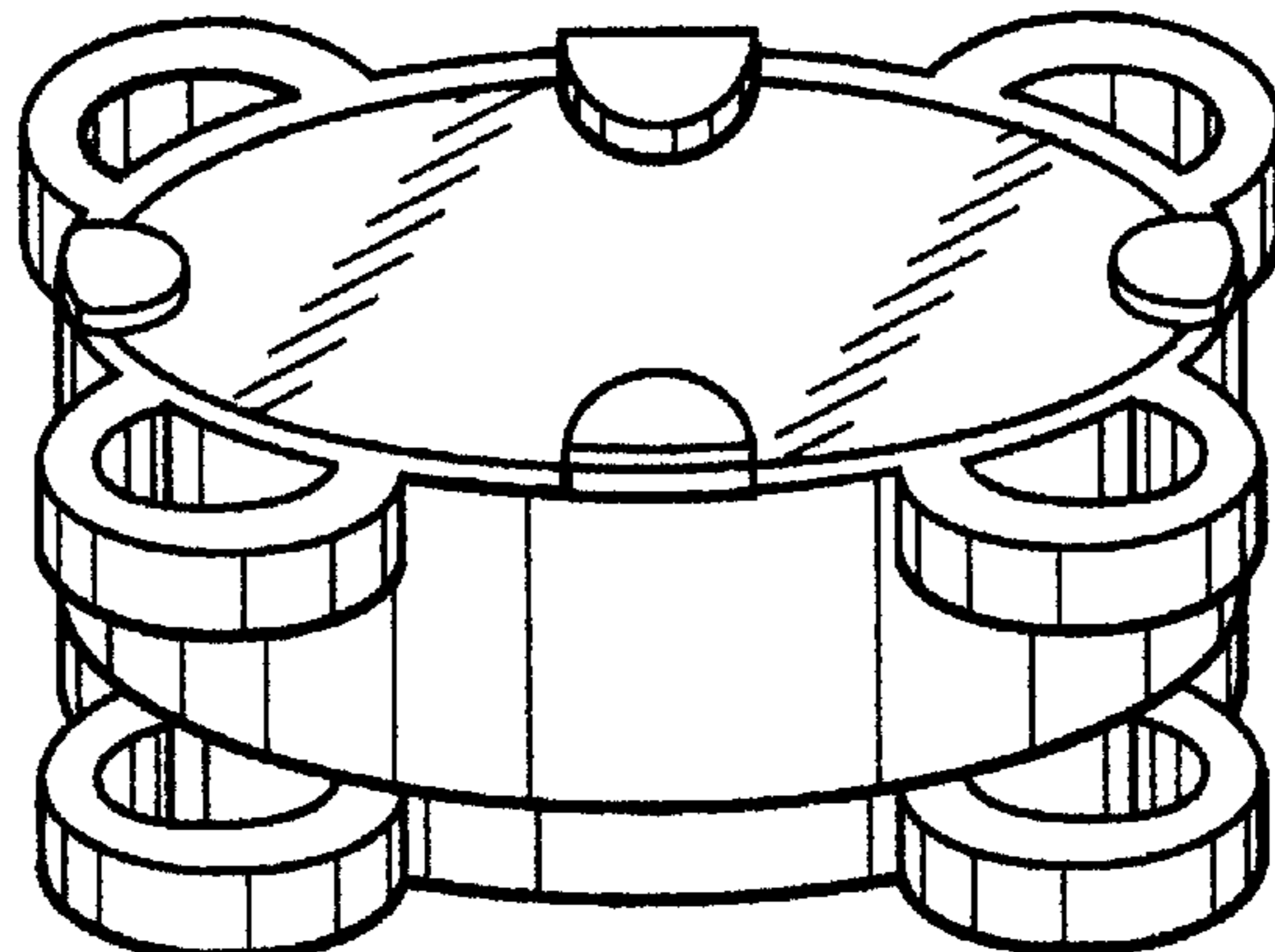


FIG. 1

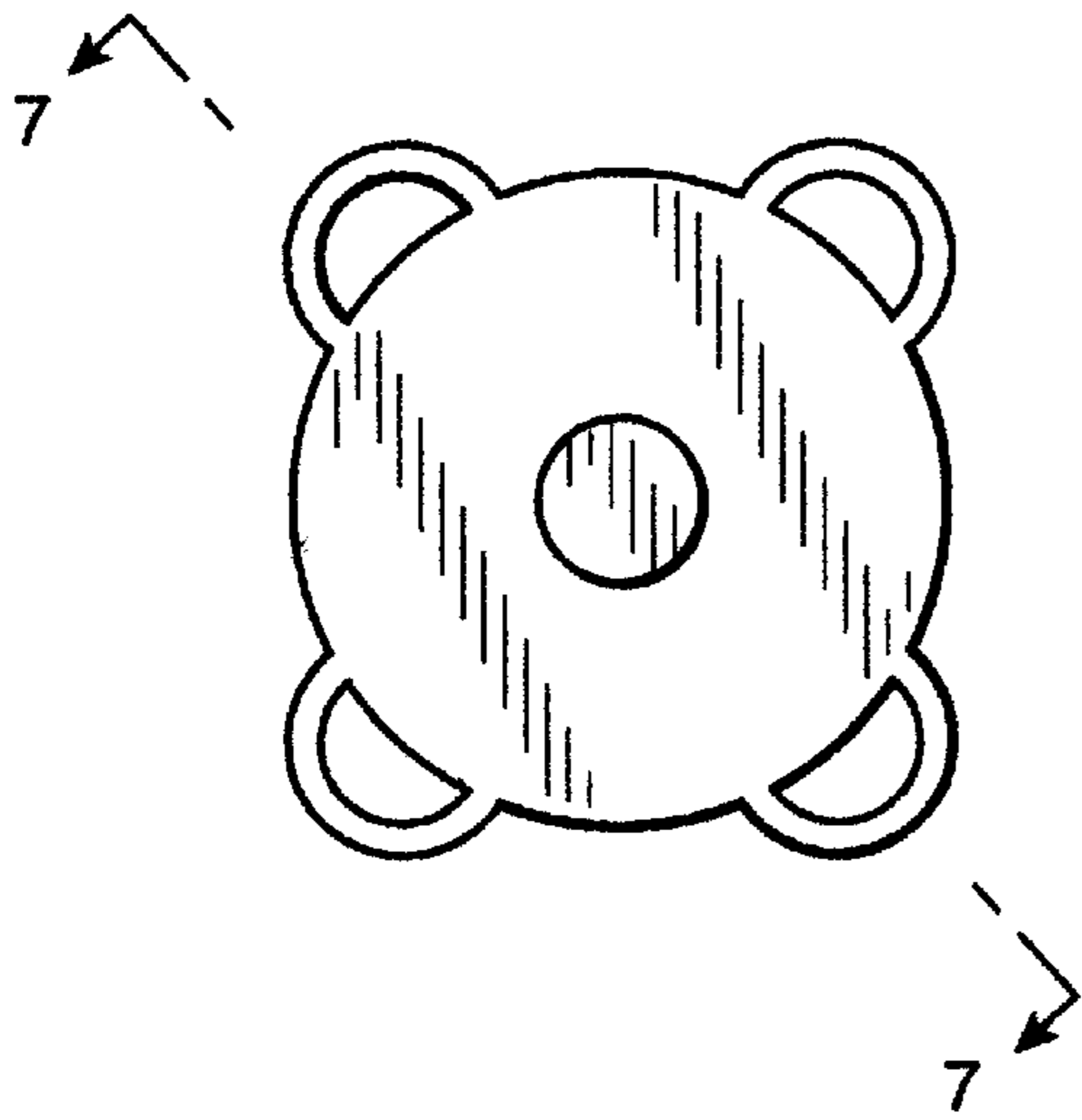


FIG. 2

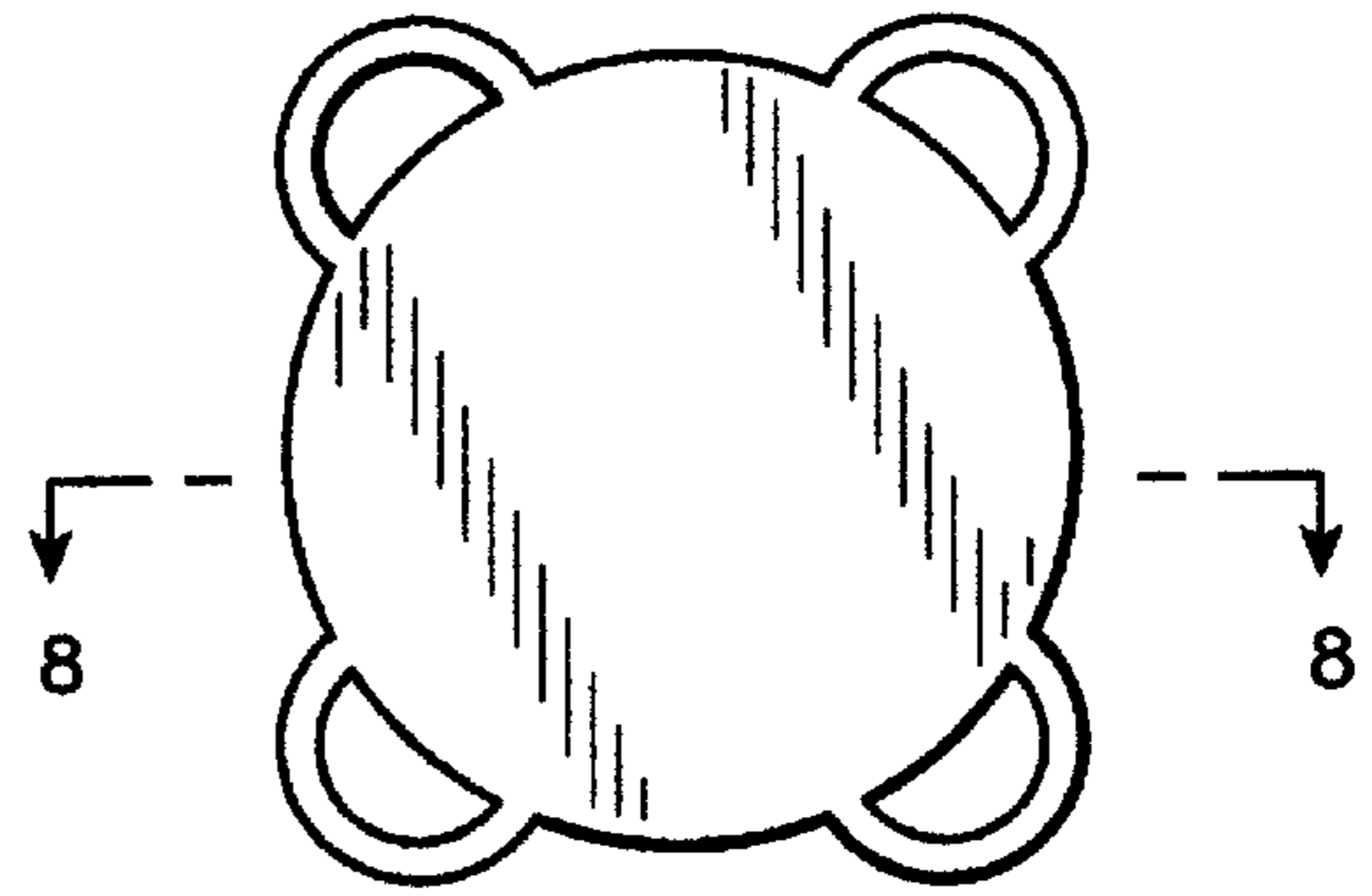


FIG. 3



FIG. 4



FIG. 5



FIG. 6



FIG. 7



FIG. 8



FIG. 9

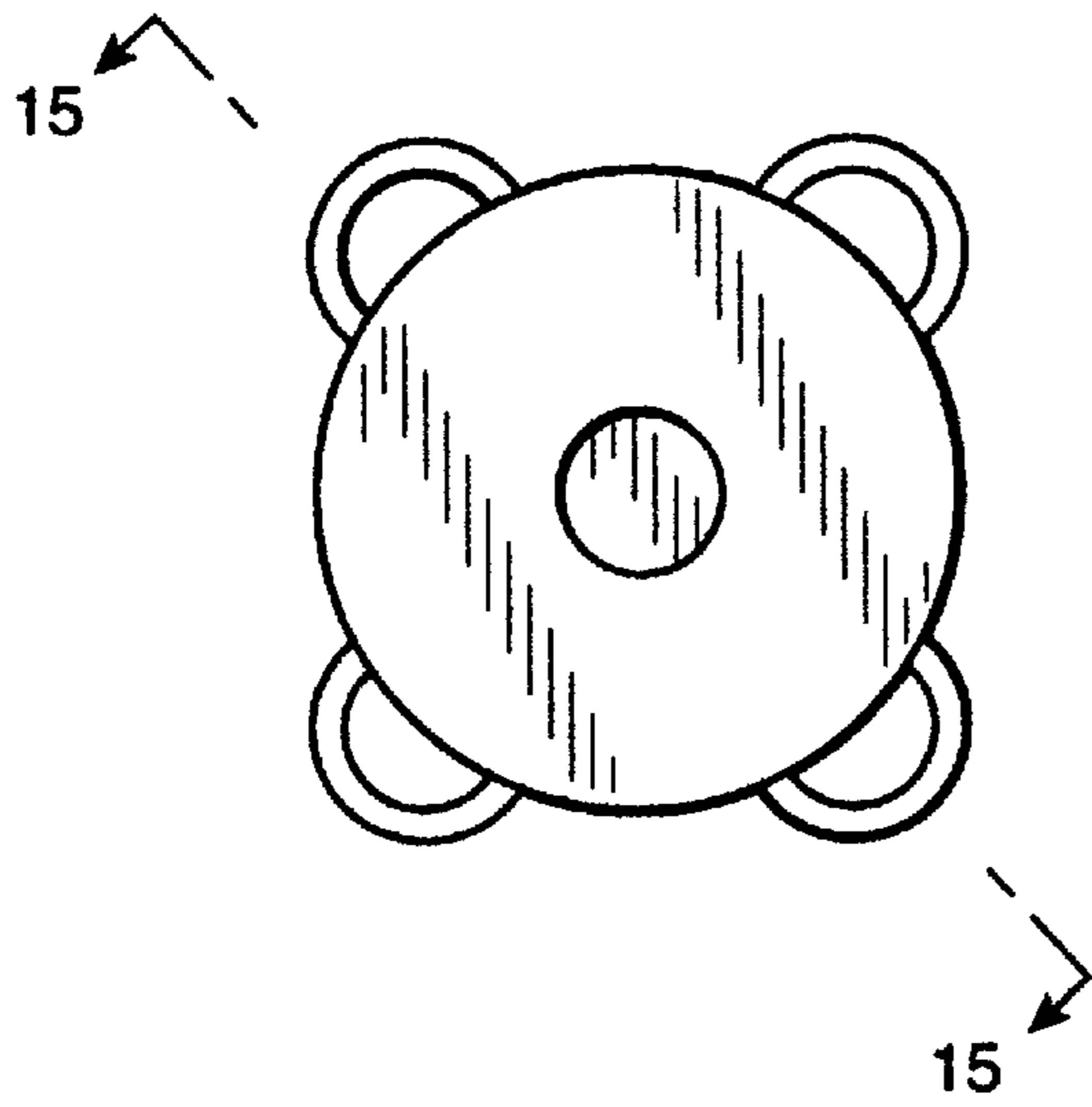


FIG. 10

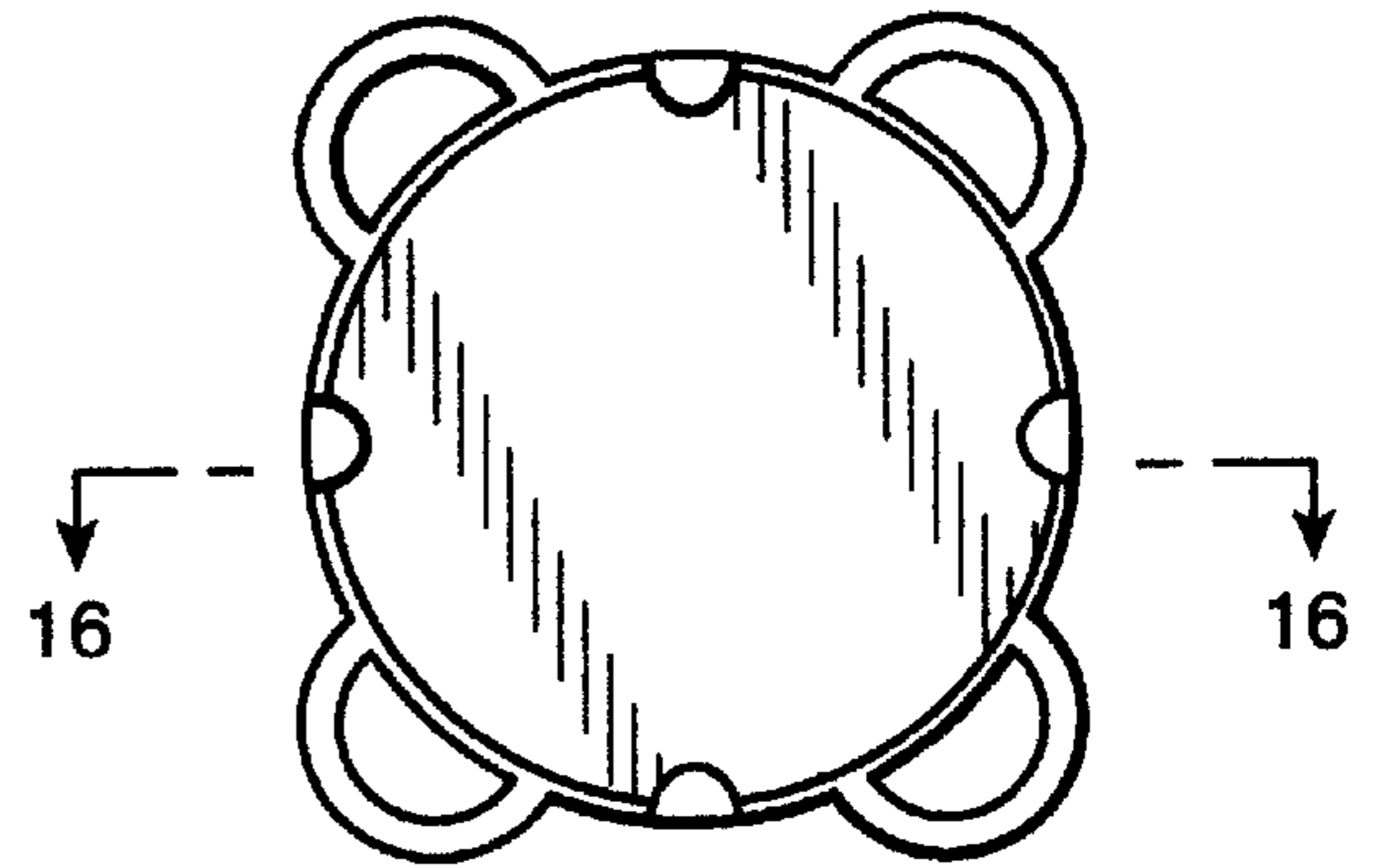


FIG. 11

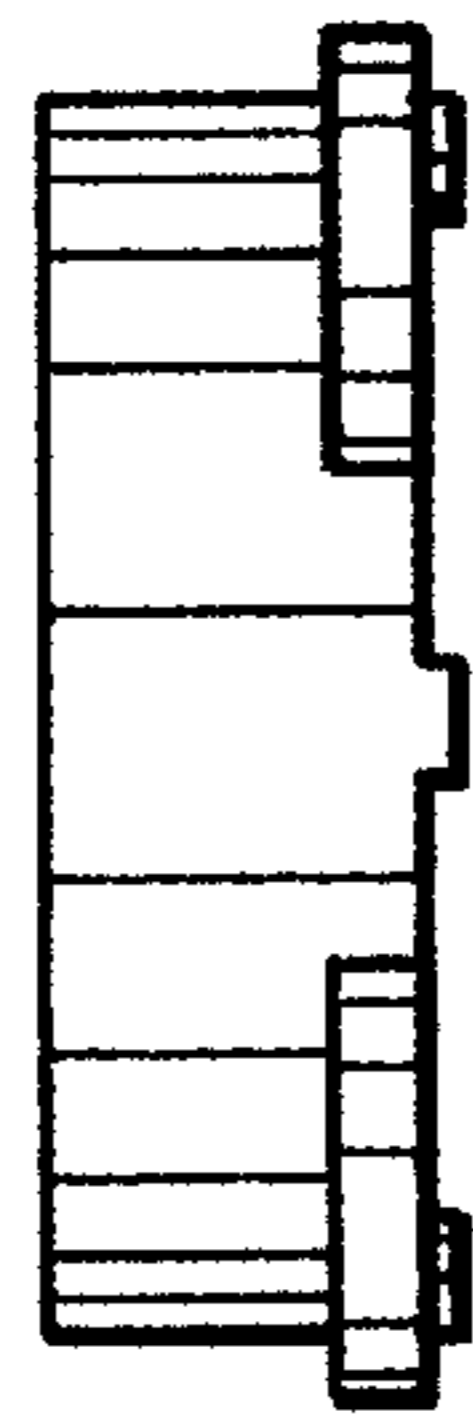


FIG. 12

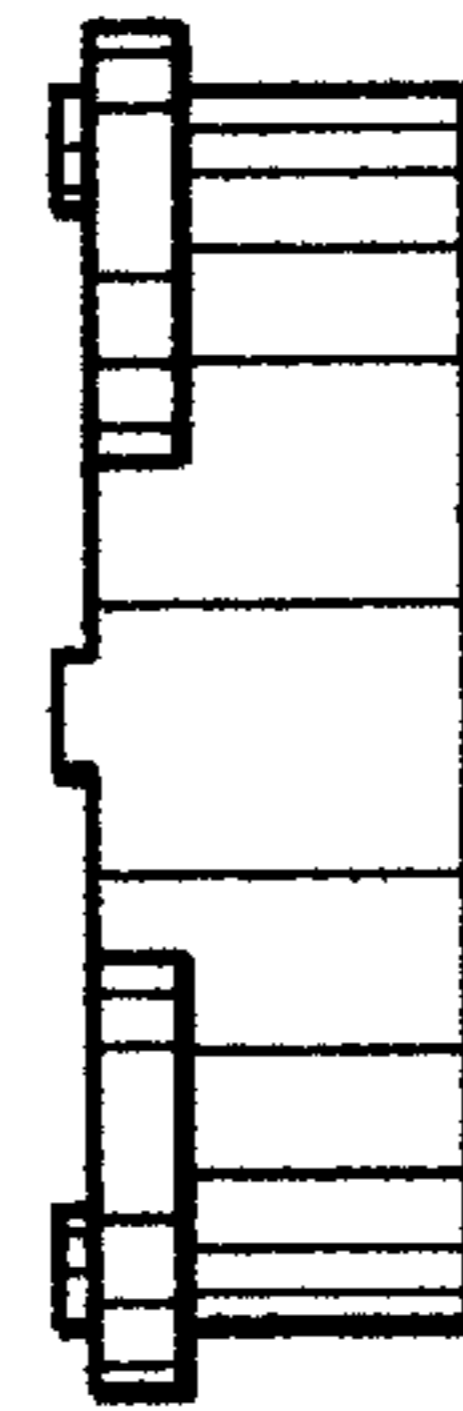


FIG. 13

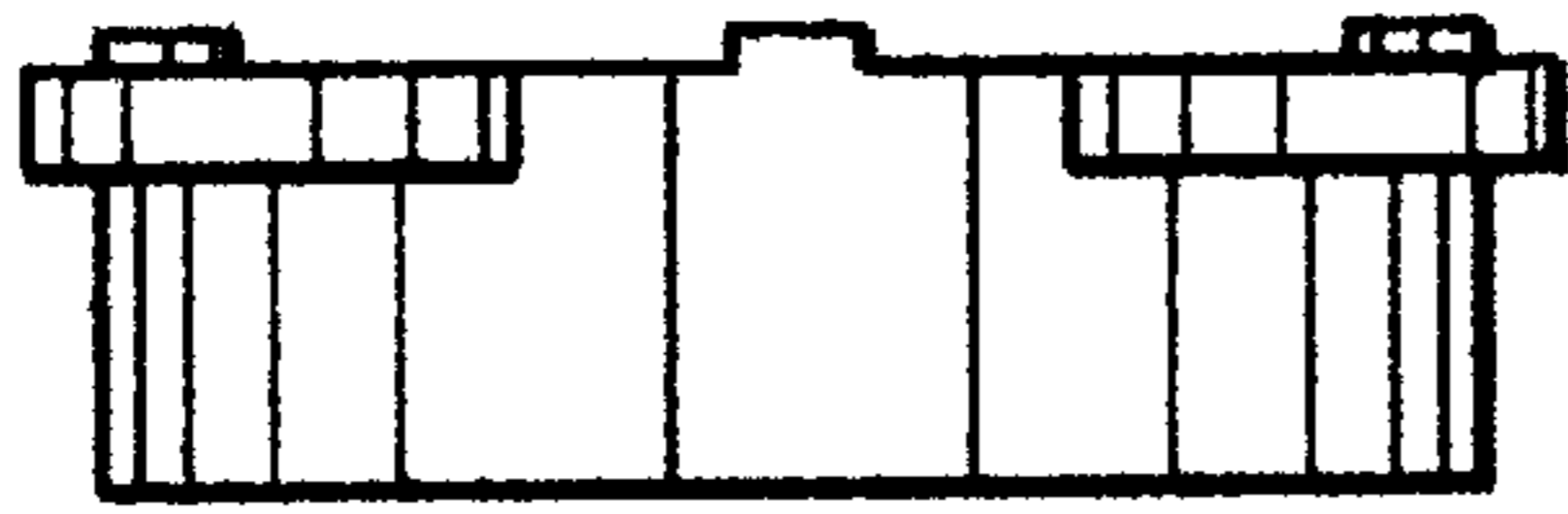


FIG. 14

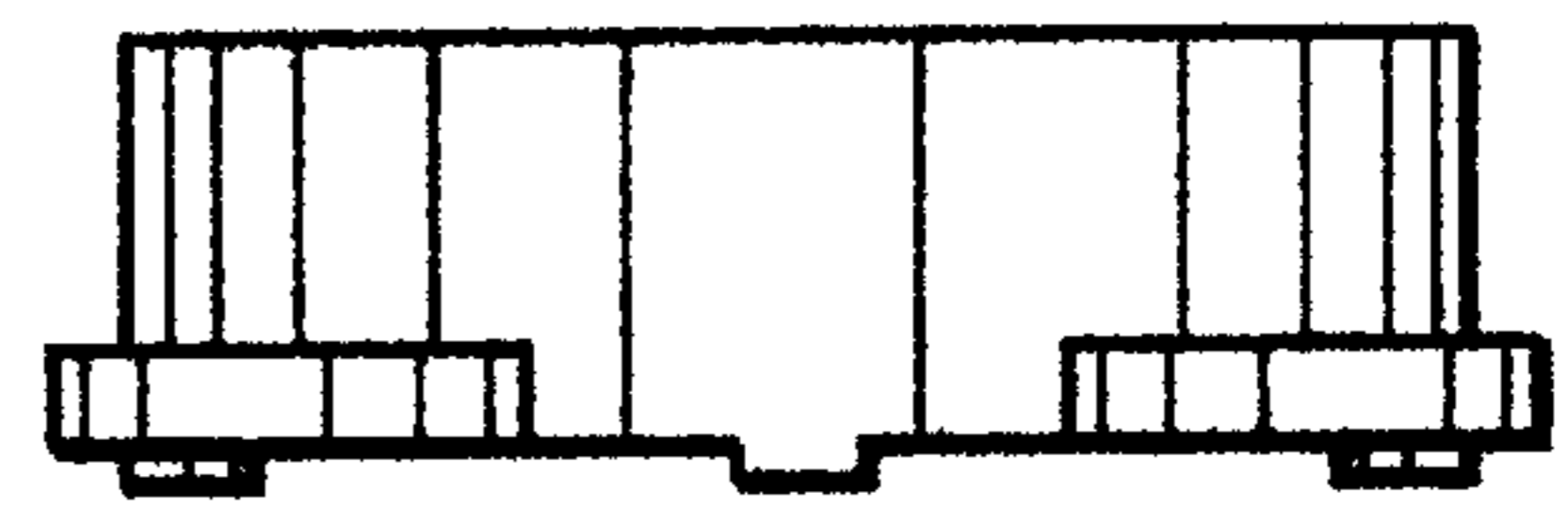


FIG. 15

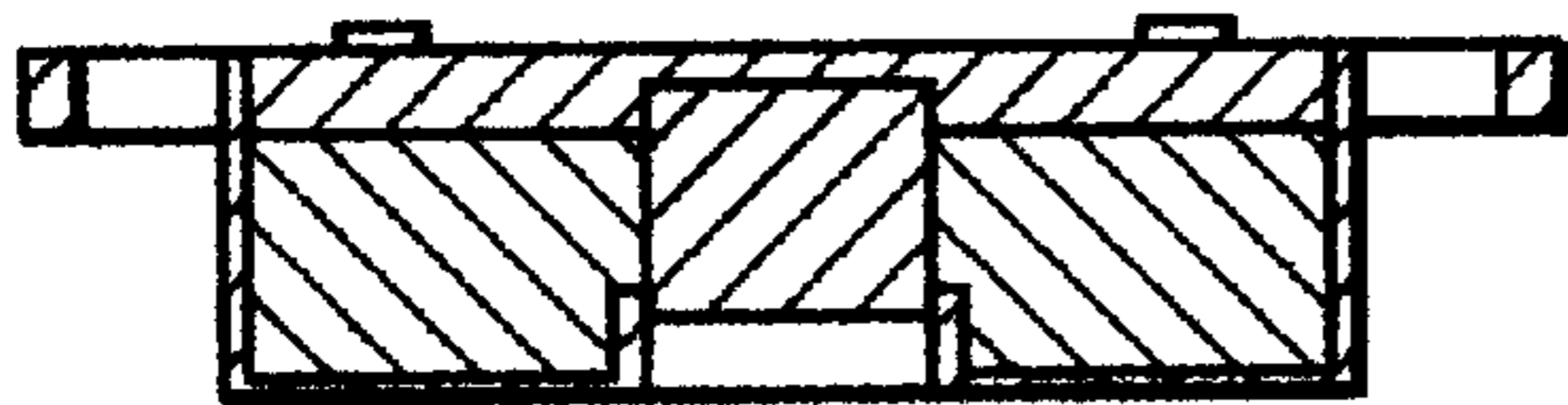


FIG. 16

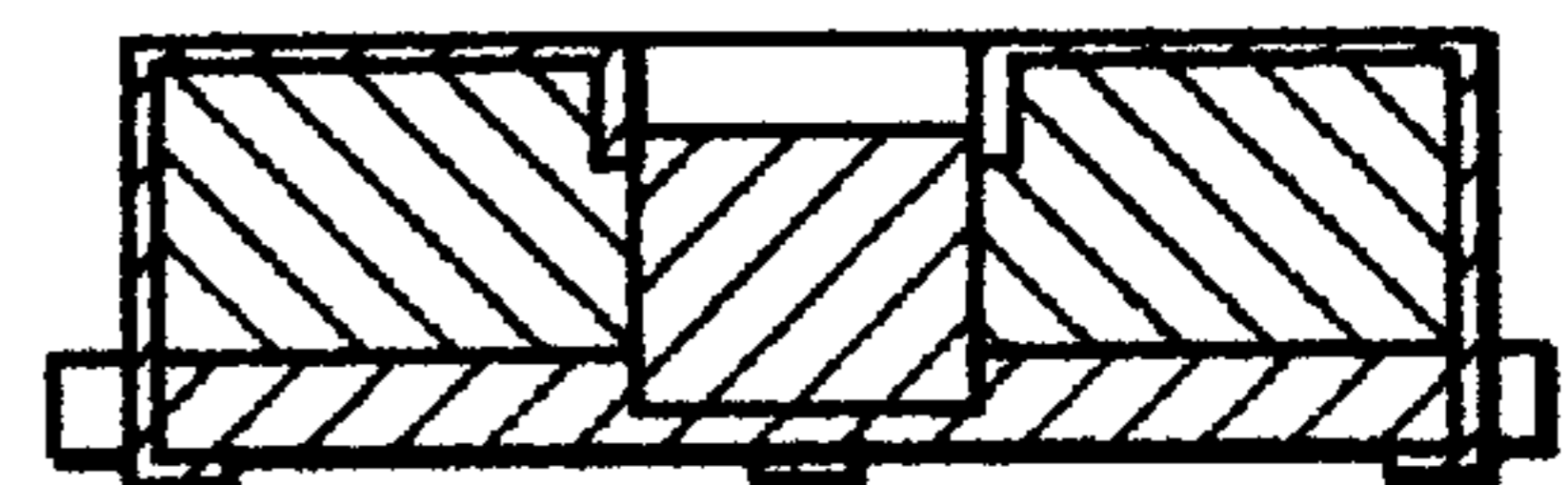


FIG. 17

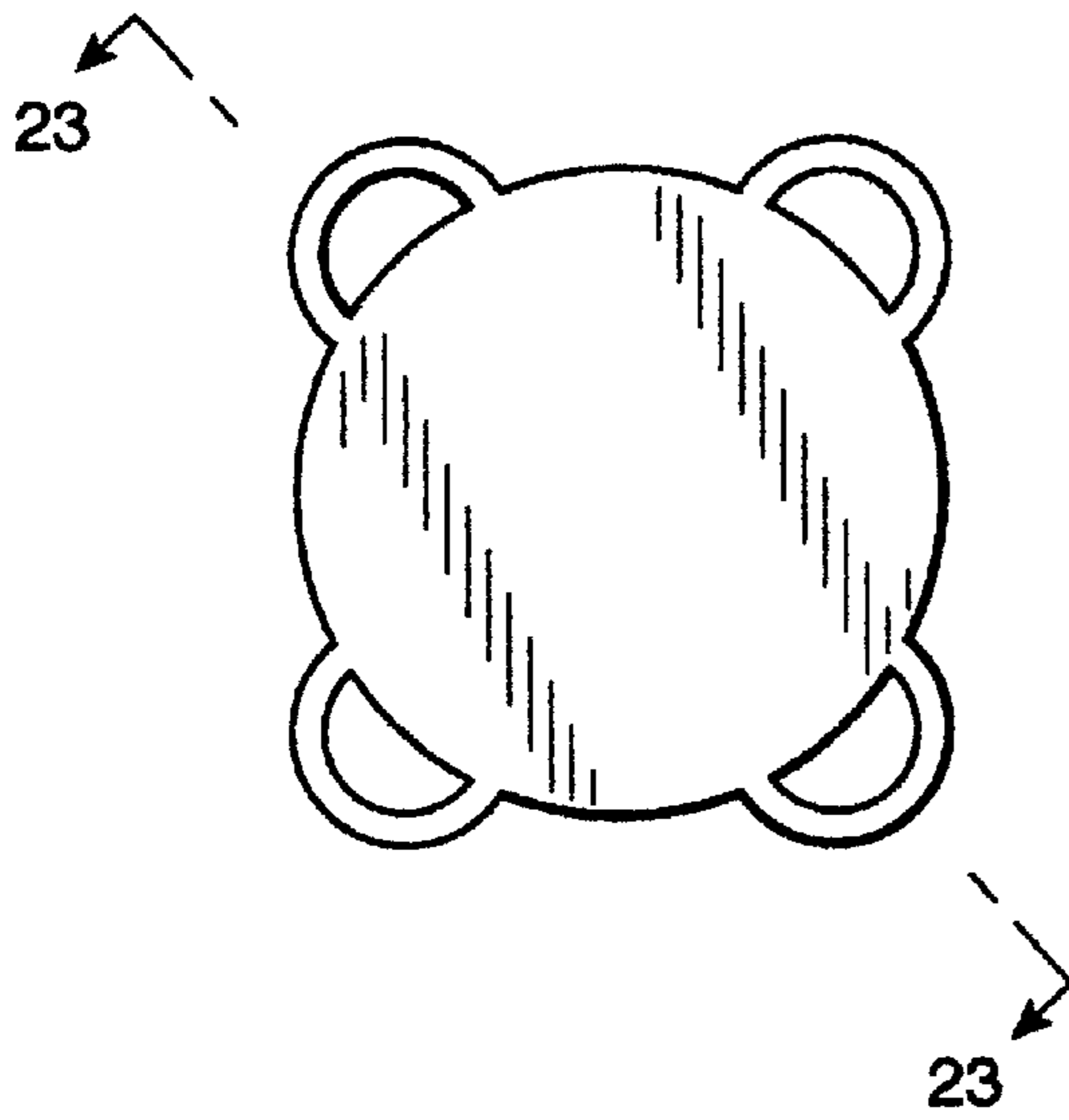


FIG. 18

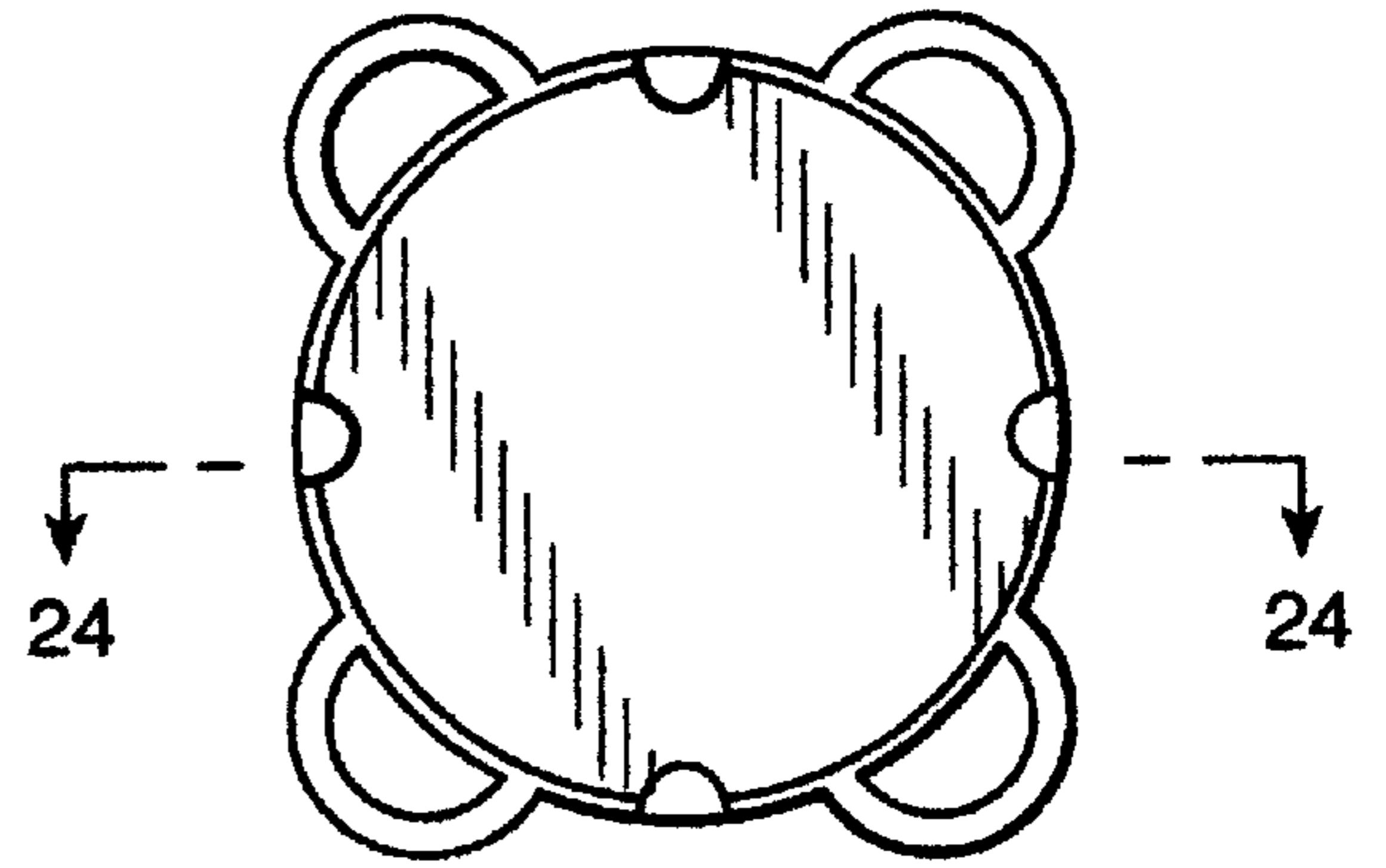


FIG. 19

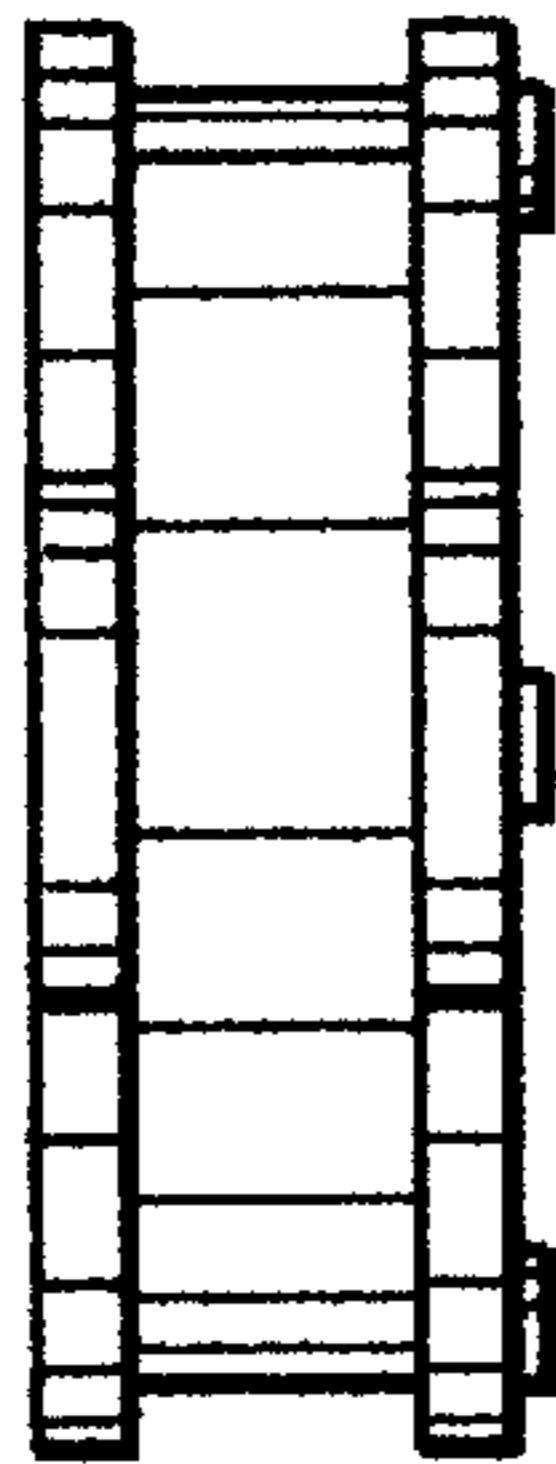


FIG. 20

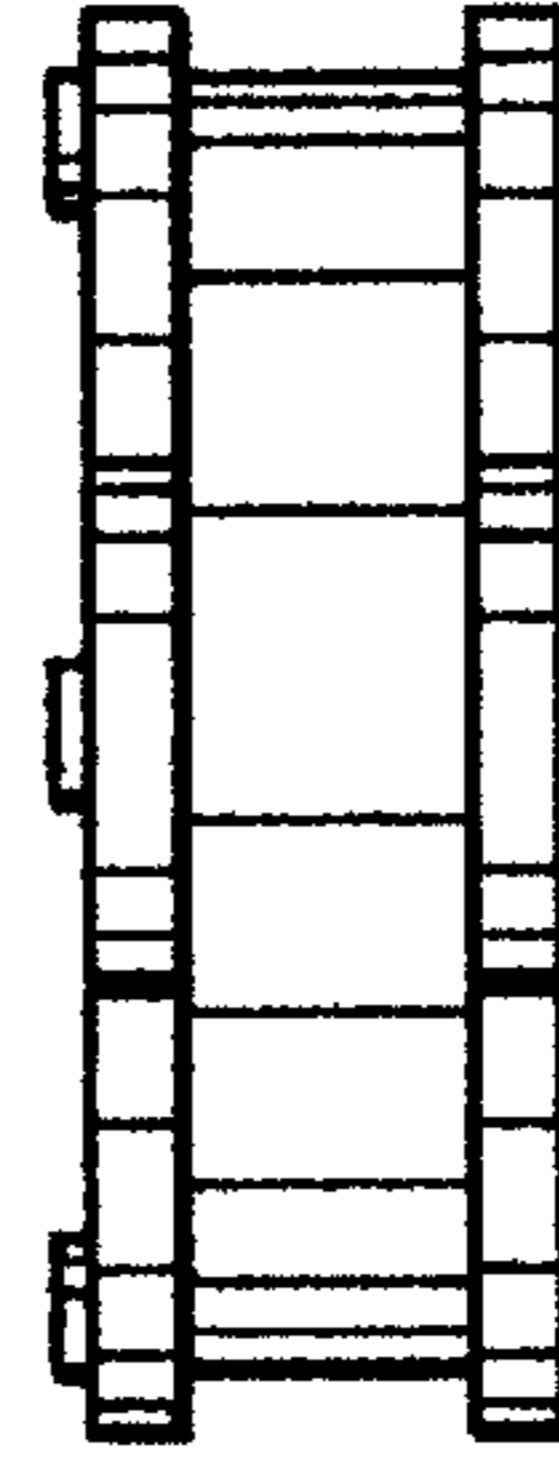


FIG. 21

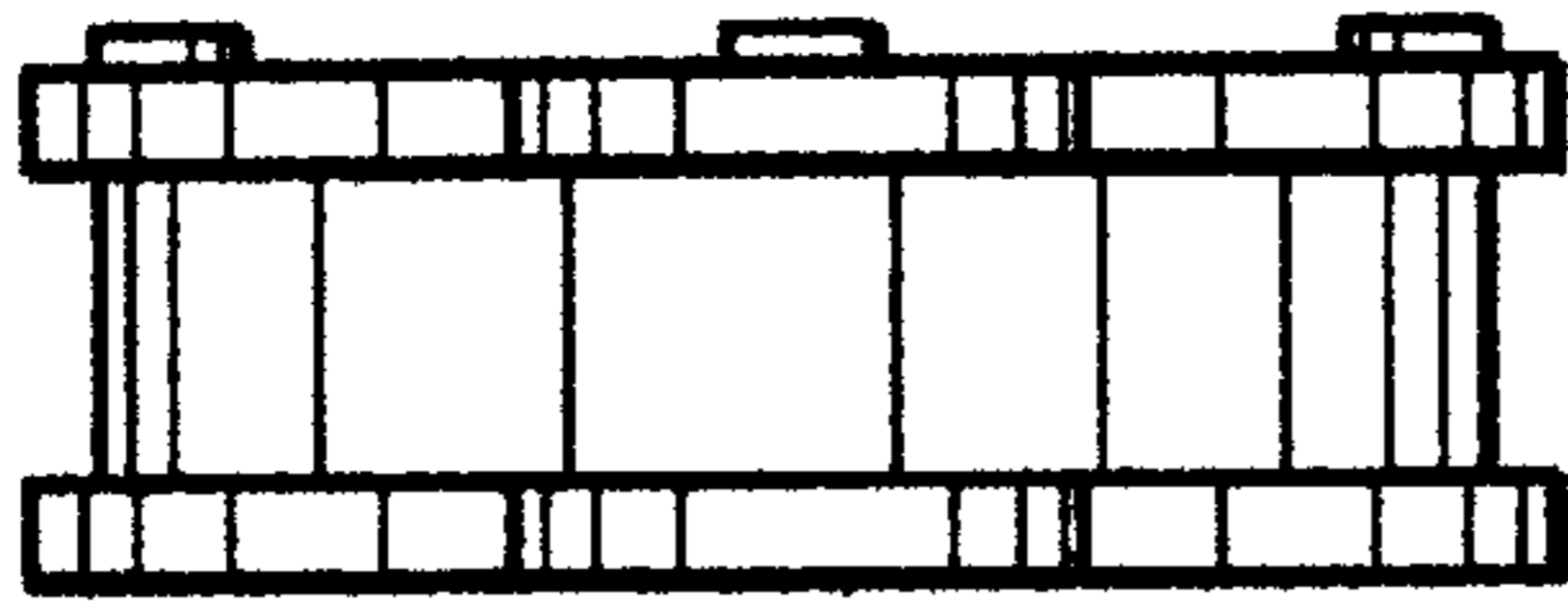


FIG. 22

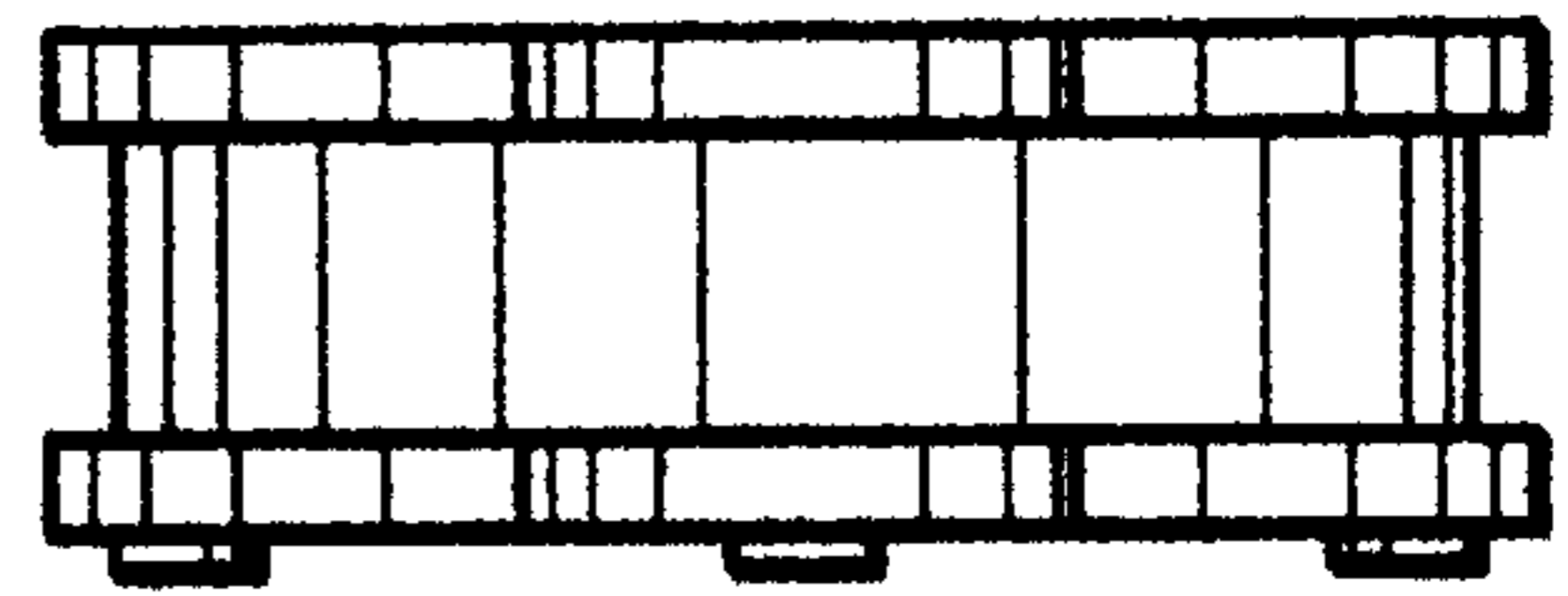


FIG. 23

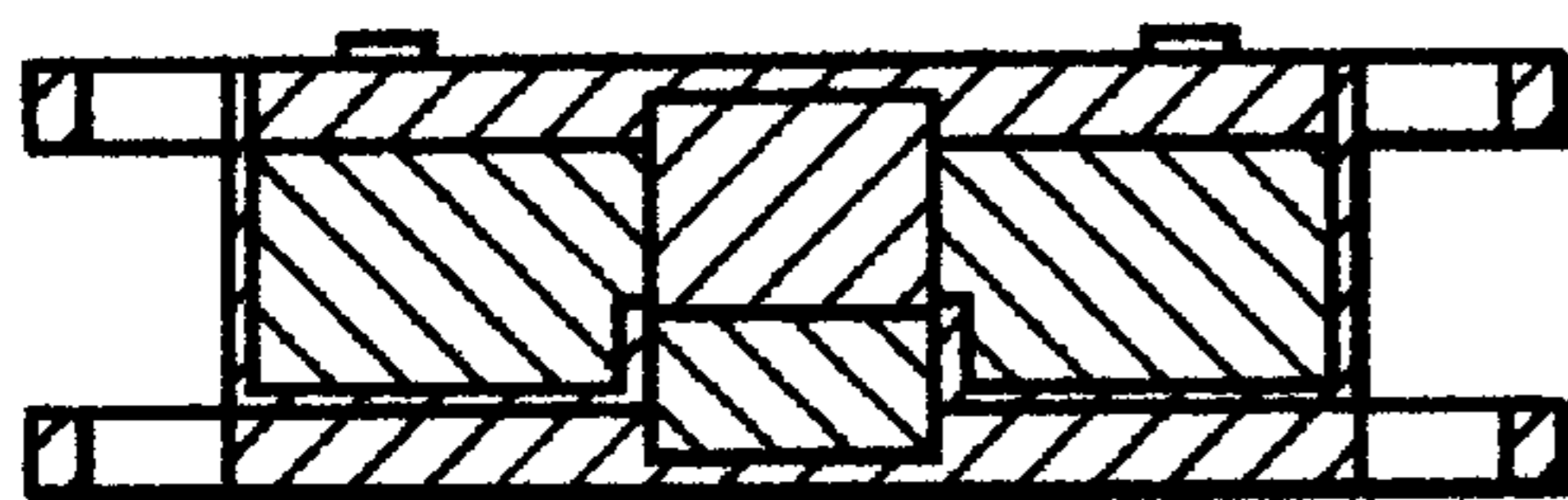


FIG. 24

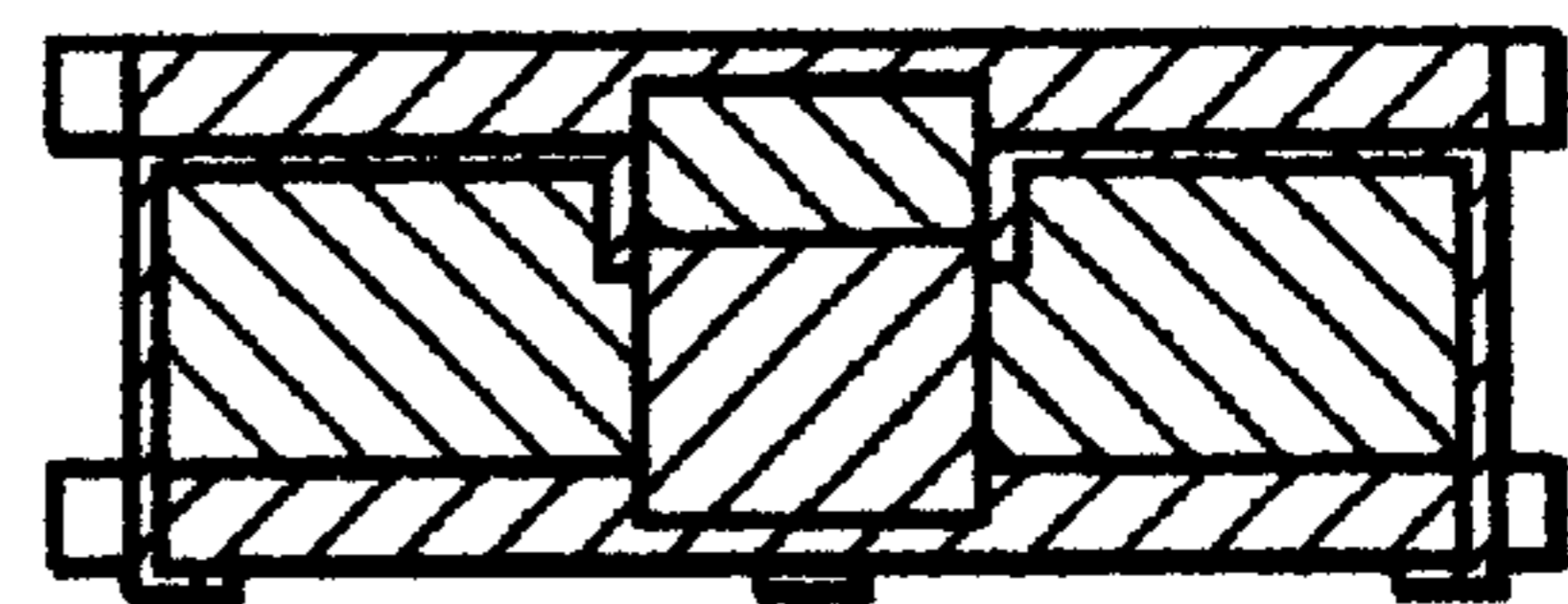


FIG. 25

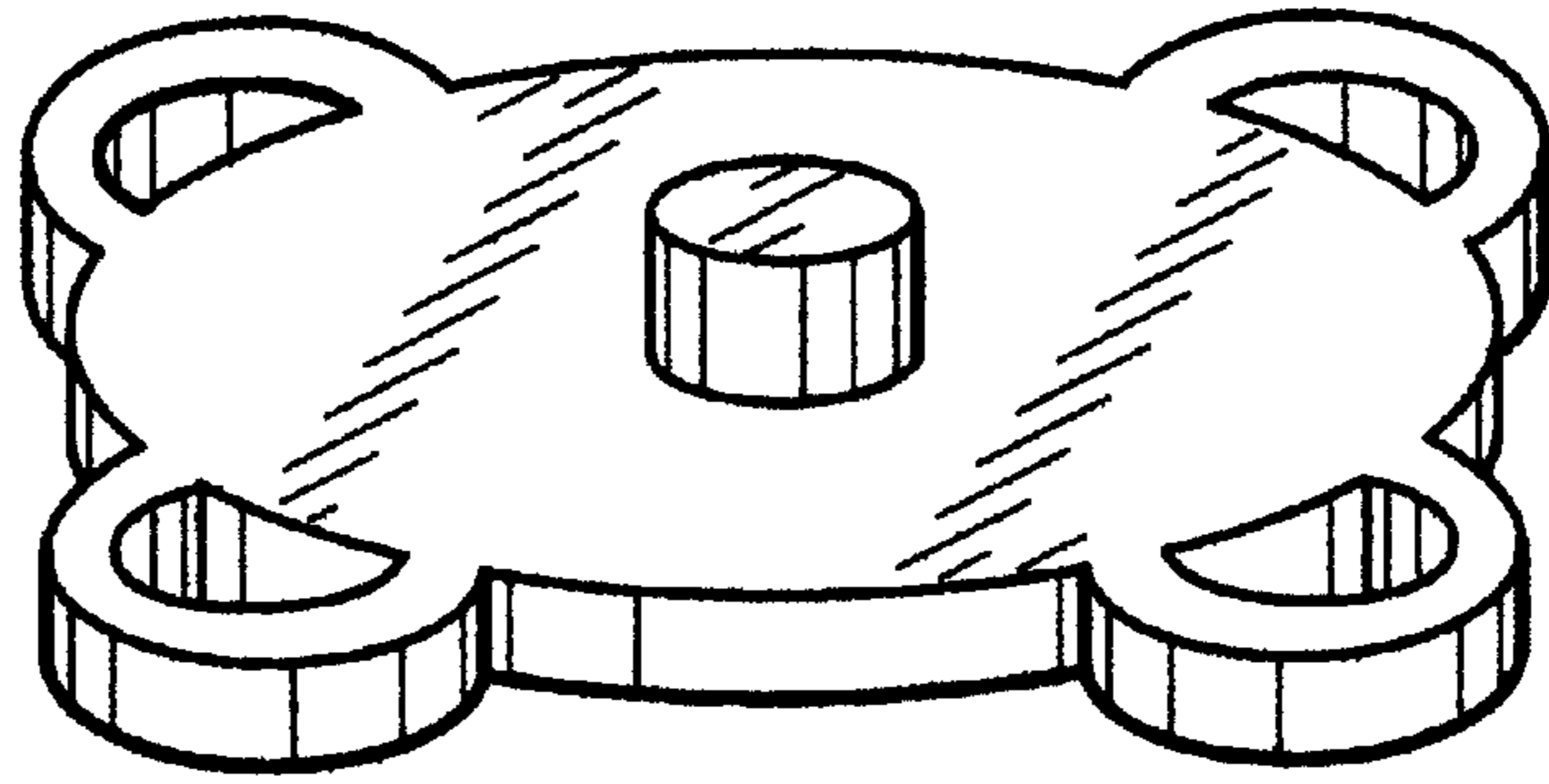


FIG. 26

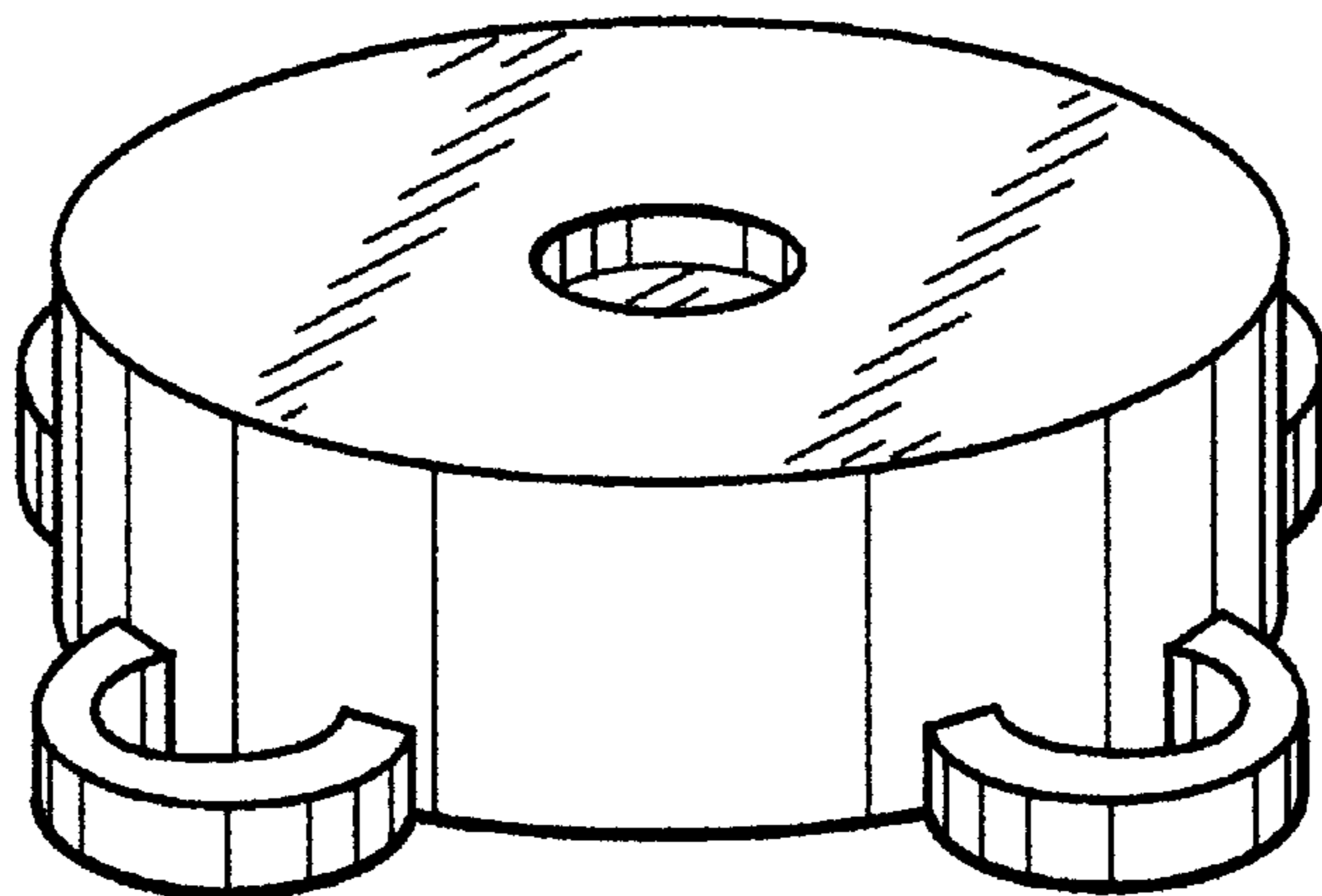


FIG. 27

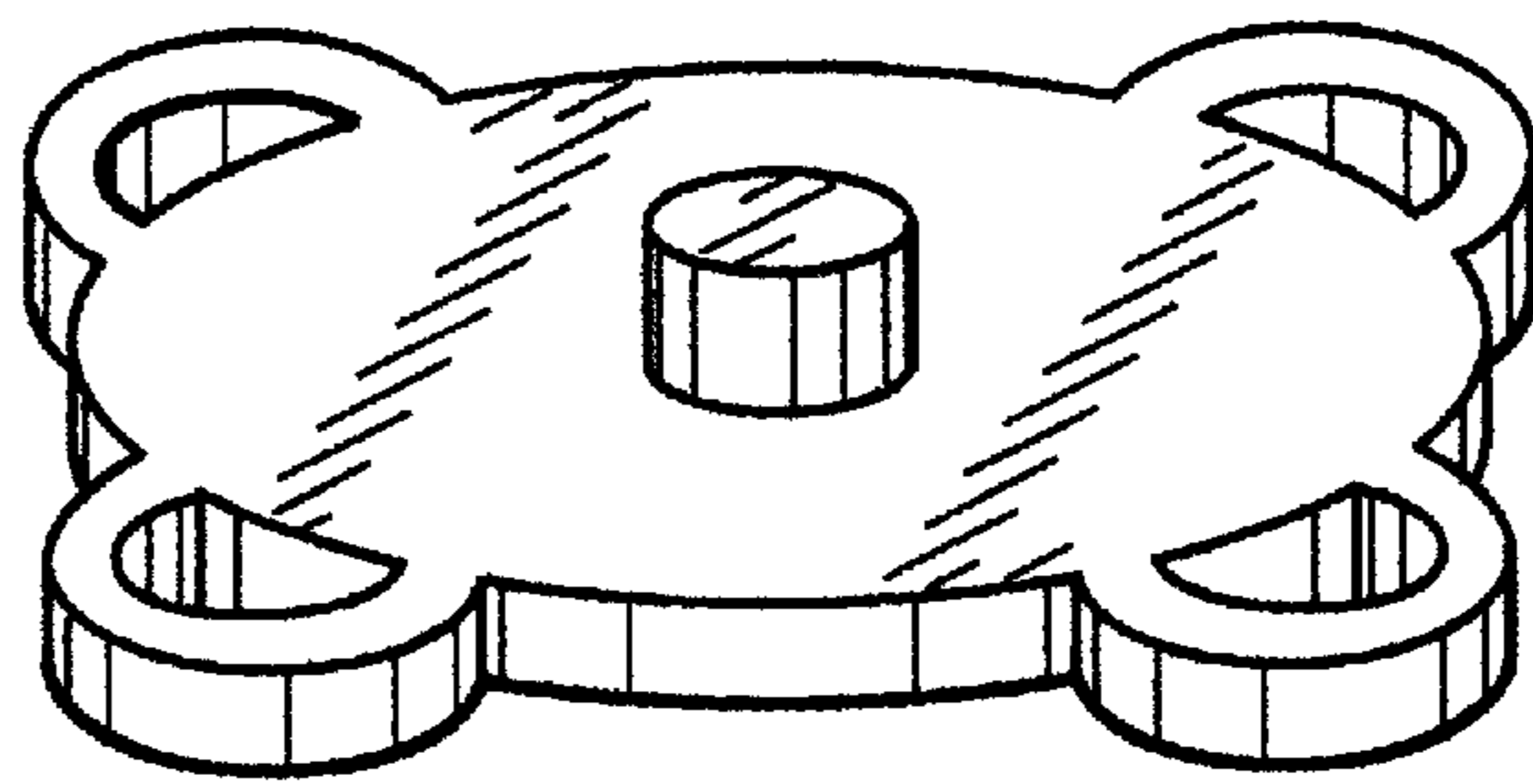
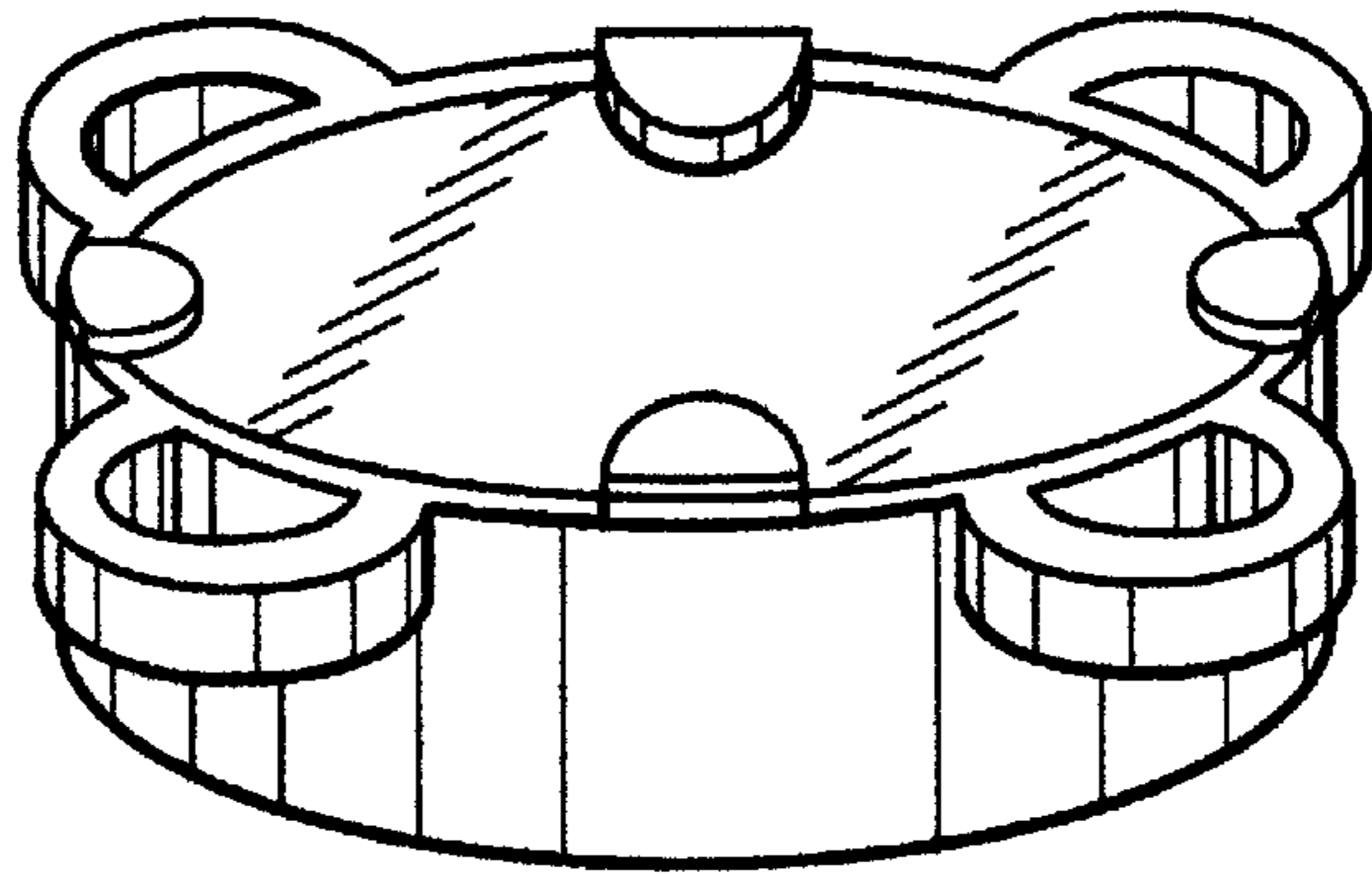


FIG. 28

