



US00D441315S

(12) **United States Design Patent**
Huffman

(10) **Patent No.:** **US D441,315 S**

(45) **Date of Patent:** **** May 1, 2001**

(54) **PATIO TABLE TOP FLOWER POT**

3,867,788 * 2/1975 Mickelson D6/513

(76) Inventor: **Ivan Huffman**, 6 Chamney Court,
Bram., Ontario (CA), L6W 3S1

(**) Term: **14 Years**

(21) Appl. No.: **29/112,171**

(22) Filed: **Oct. 13, 1999**

(51) **LOC (7) Cl.** **11-02**

(52) **U.S. Cl.** **D11/143**

(58) **Field of Search** D11/143, 146,
D11/148, 152, 153, 155; D7/354, 547, 610;
47/65.5, 65.7, 66.2; 206/423; 248/27.8

(56) **References Cited**

U.S. PATENT DOCUMENTS

| | | | | | |
|------------|---|---------|-------------------|-------|---------|
| D. 236,018 | * | 7/1975 | Switt et al. | | D11/155 |
| D. 240,383 | * | 7/1976 | Connel | | D6/513 |
| D. 243,808 | * | 3/1977 | Helm | | D6/513 |
| D. 250,376 | * | 11/1978 | Schoenbrun | | D6/513 |
| D. 267,215 | * | 12/1982 | Peterson | | D11/155 |
| D. 285,634 | * | 9/1986 | Mcbean | | D6/513 |
| D. 297,319 | * | 8/1988 | Garlson | | D11/143 |
| D. 305,875 | * | 2/1990 | Morritt | | D11/143 |
| D. 326,830 | * | 6/1992 | Vaughn | | D11/143 |
| D. 351,522 | | 10/1994 | Deimler . | | |
| D. 392,914 | * | 3/1998 | Friend | | D11/143 |
| D. 405,027 | | 2/1999 | McBlwain et al. . | | |
| D. 409,520 | * | 5/1999 | Conner | | D11/143 |
| D. 412,297 | * | 7/1999 | Roach | | D11/152 |

OTHER PUBLICATIONS

Octagonal tub, Homemade box, p. 100, Sunset, undated.*
372, p. 123, Gift and Art Buyer, Jul. 1957.*
Floor Bowls, Hines Pottery brochure, Nov. 1999.*
Flowerbowl, p. 20, Ebert, Aug. 1995.*

* cited by examiner

Primary Examiner—Doris V. Coles

(74) *Attorney, Agent, or Firm*—Marks & Clerk

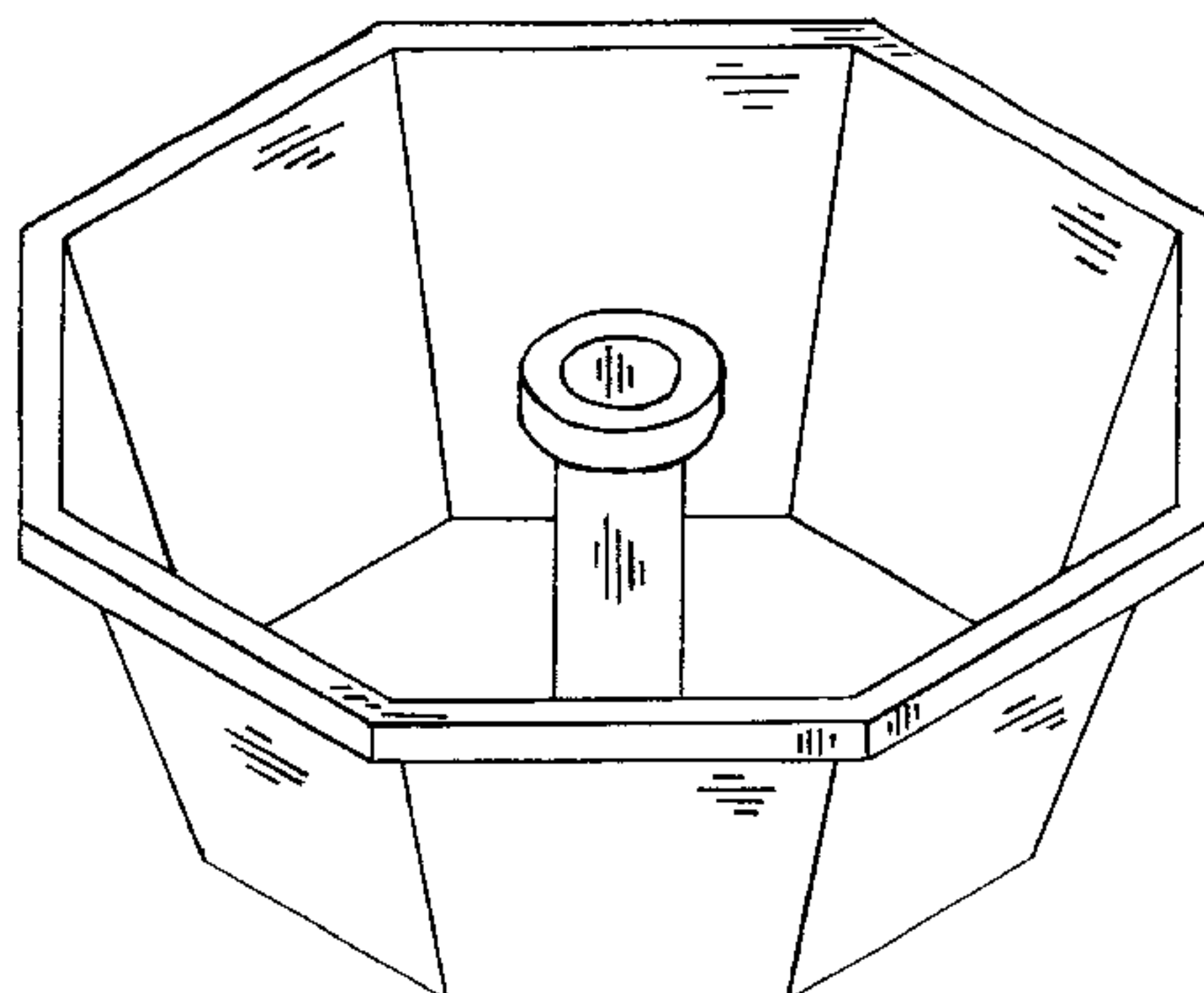
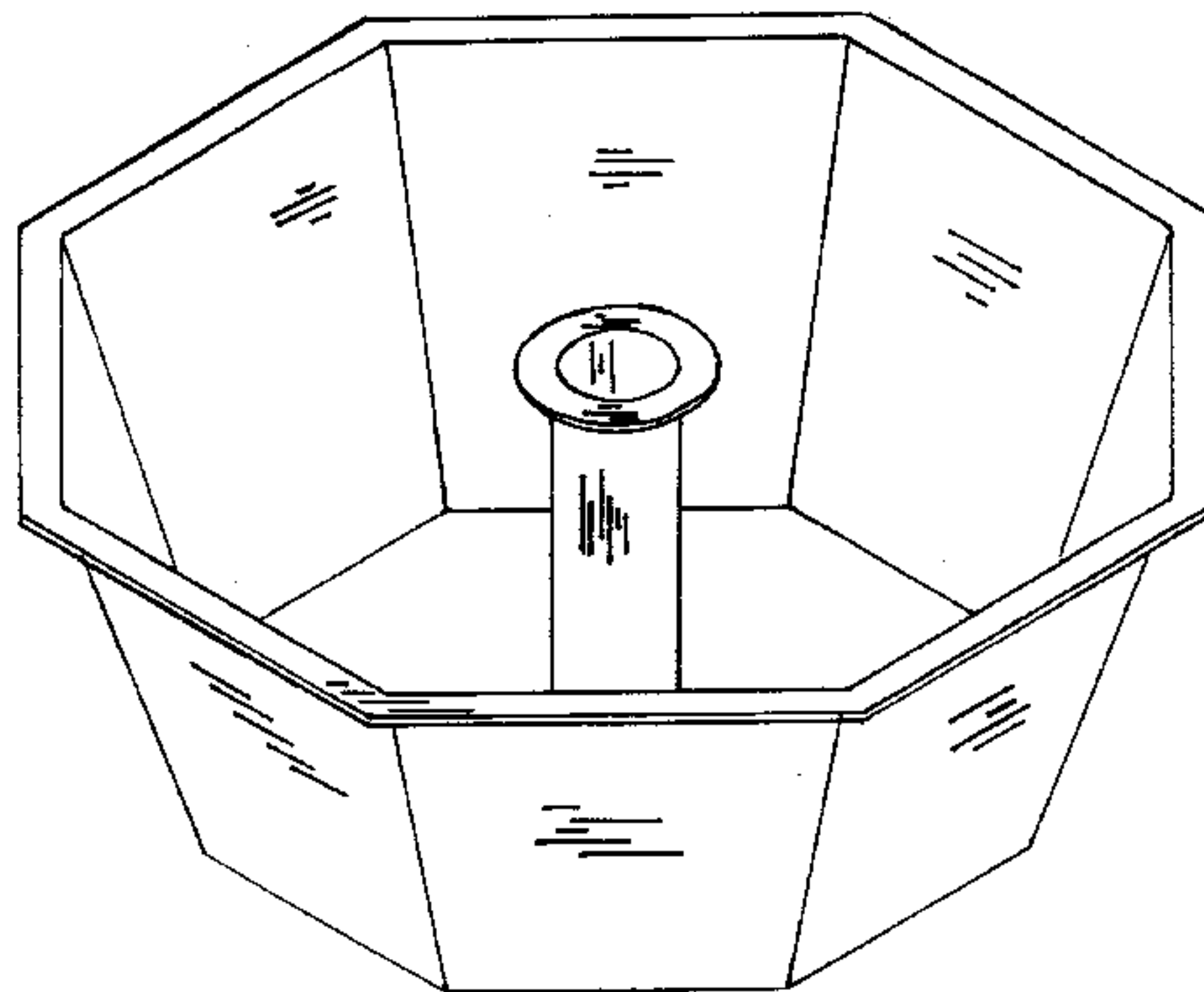
(57) **CLAIM**

The ornamental design for a patio table top flower pot, as shown and described.

DESCRIPTION

FIG. 1 is a perspective view of the first embodiment of a patio table flower pot showing my new design;
FIG. 2 is a bottom view thereof;
FIG. 3 is a left side view thereof;
FIG. 4 is a right side view thereof;
FIG. 5 is a top view thereof;
FIG. 6 is a perspective view of the second embodiment of a patio table flower pot;
FIG. 7 is a bottom view of FIG. 6;
FIG. 8 is a left side view of FIG. 6; and,
FIG. 9 is a right side view of FIG. 6.
The top view of FIG. 6 being the same as FIG. 5.

1 Claim, 7 Drawing Sheets



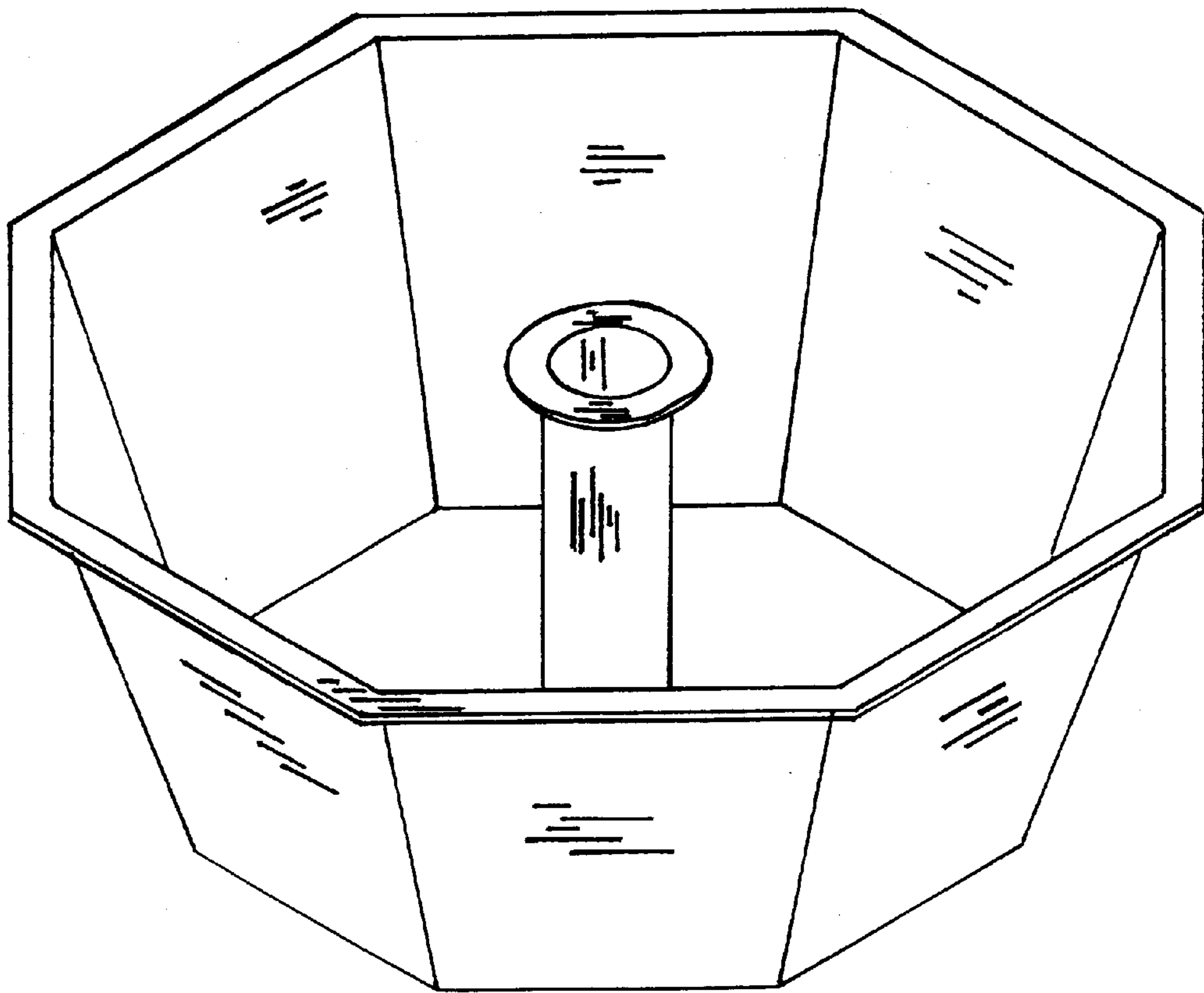


FIG. 1

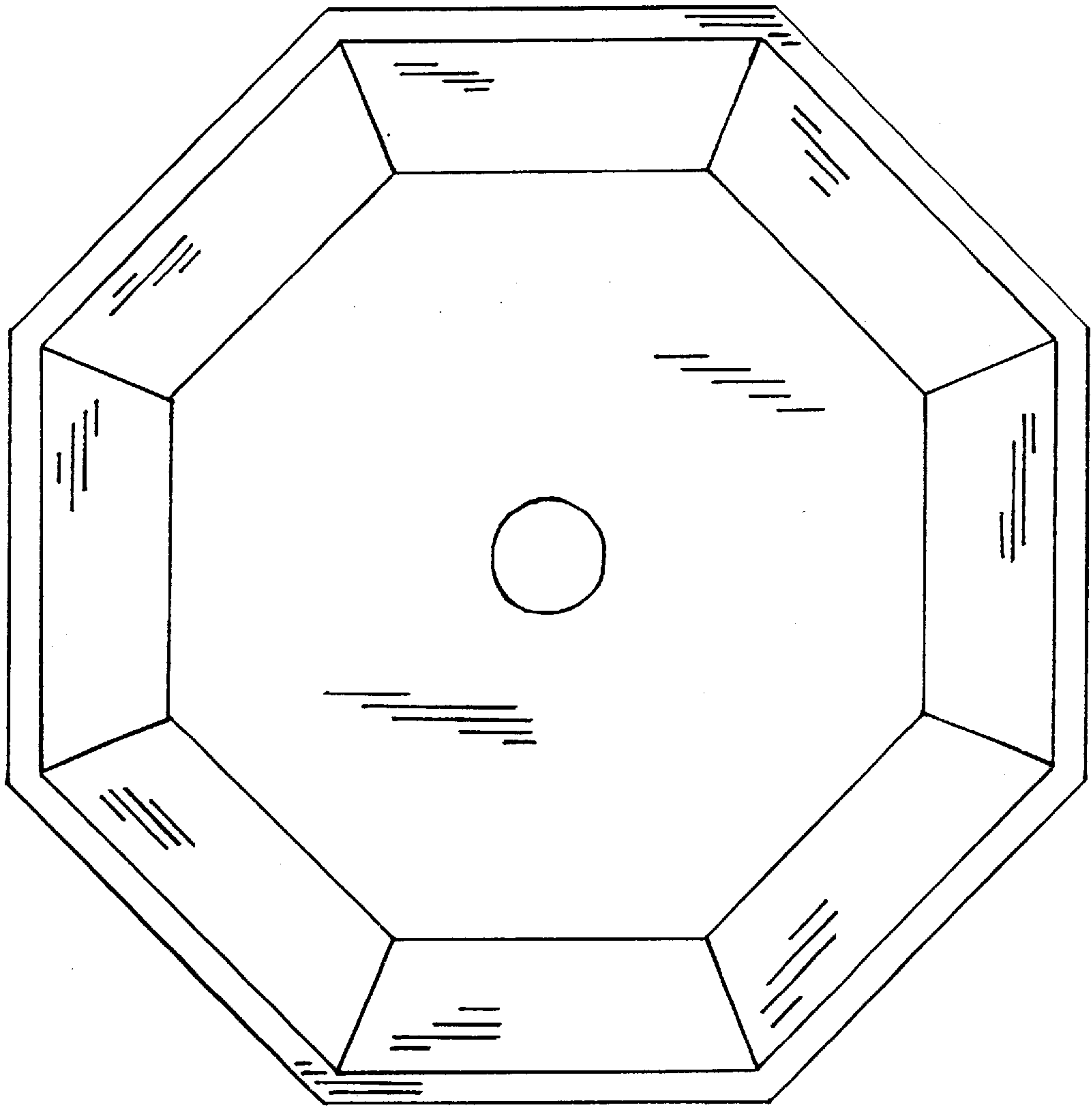


FIG. 2

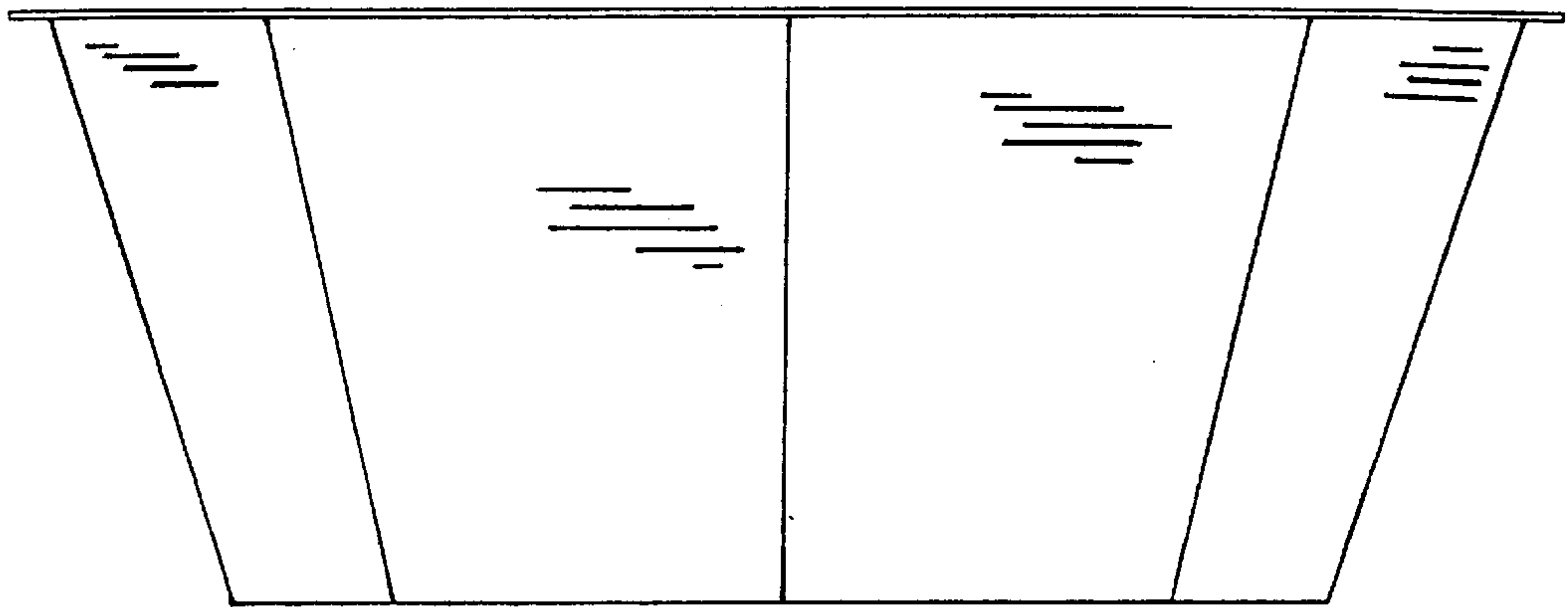


FIG. 3

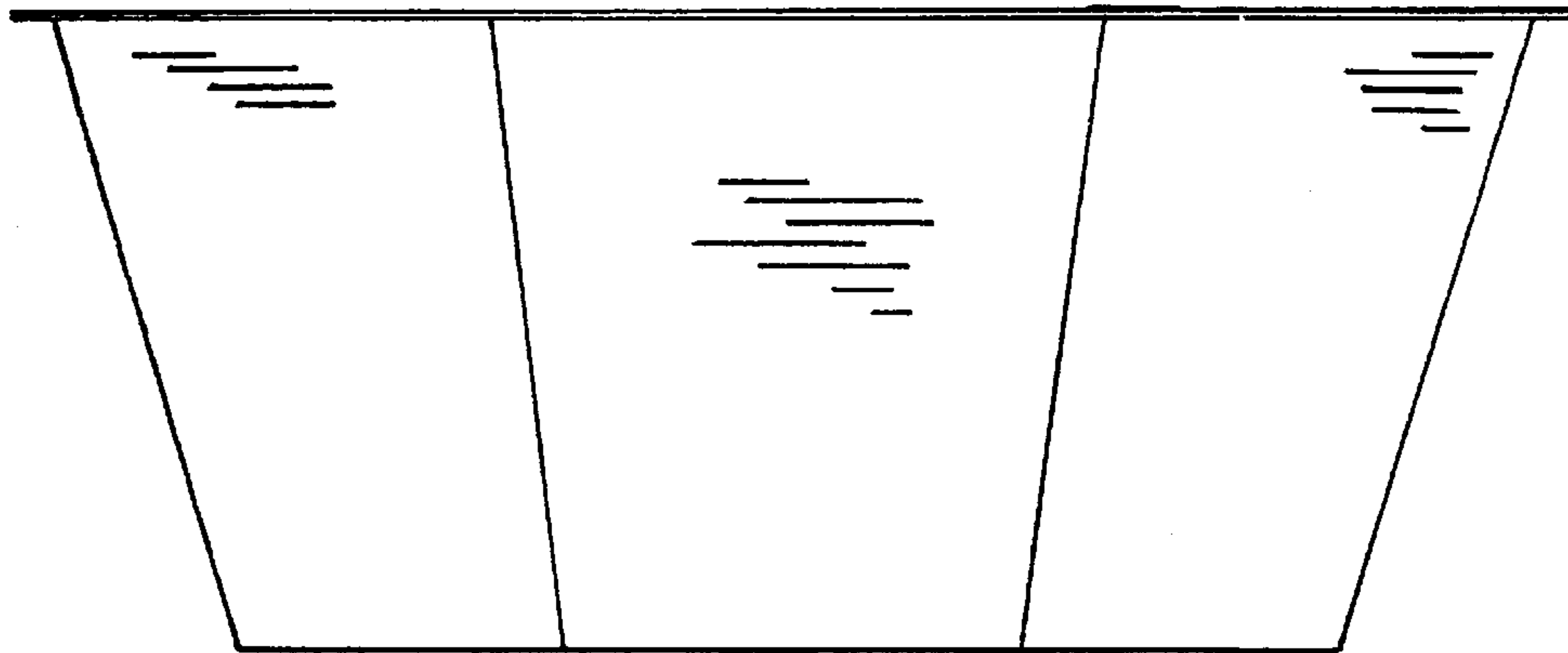


FIG. 4

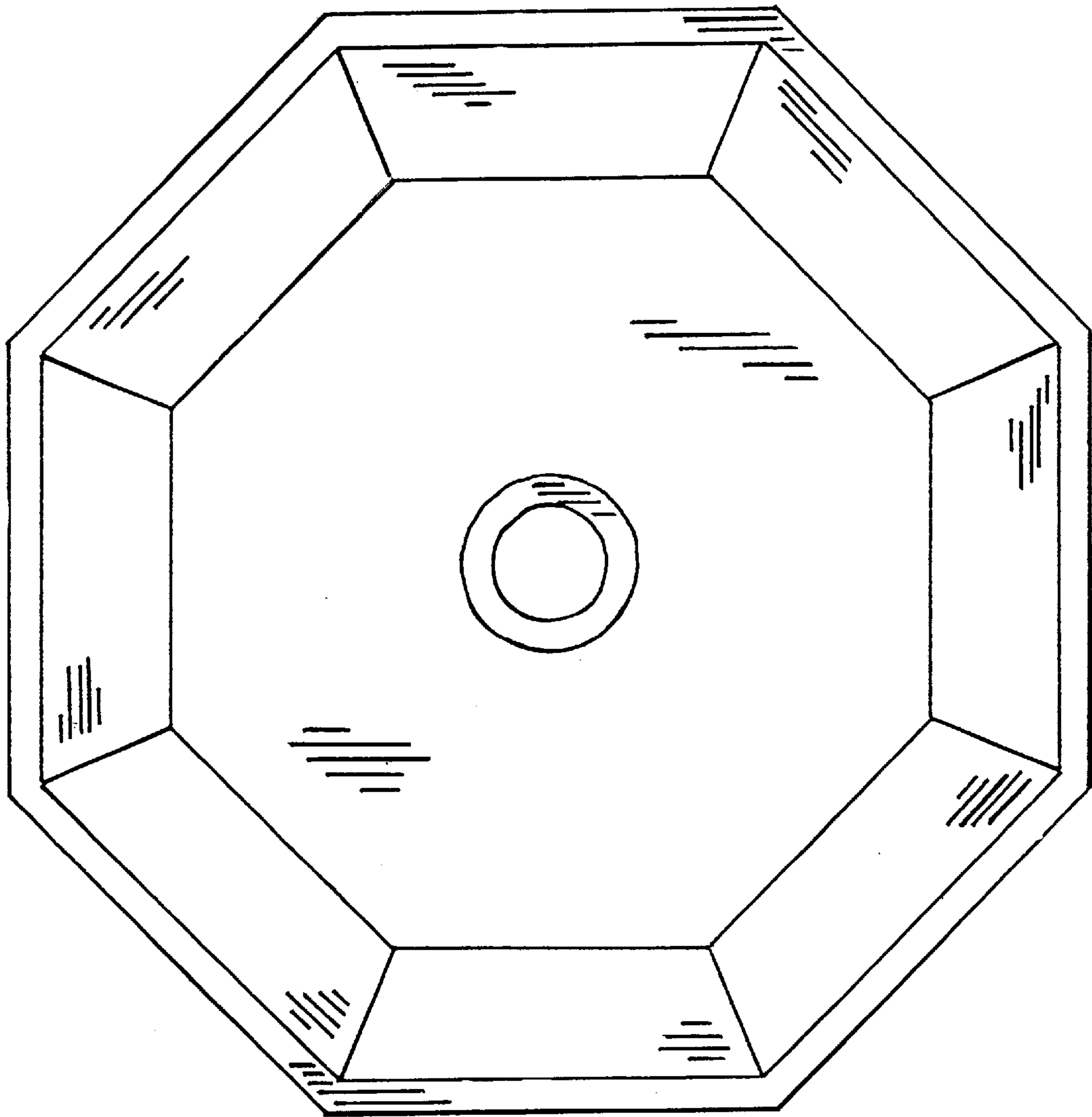


FIG. 5

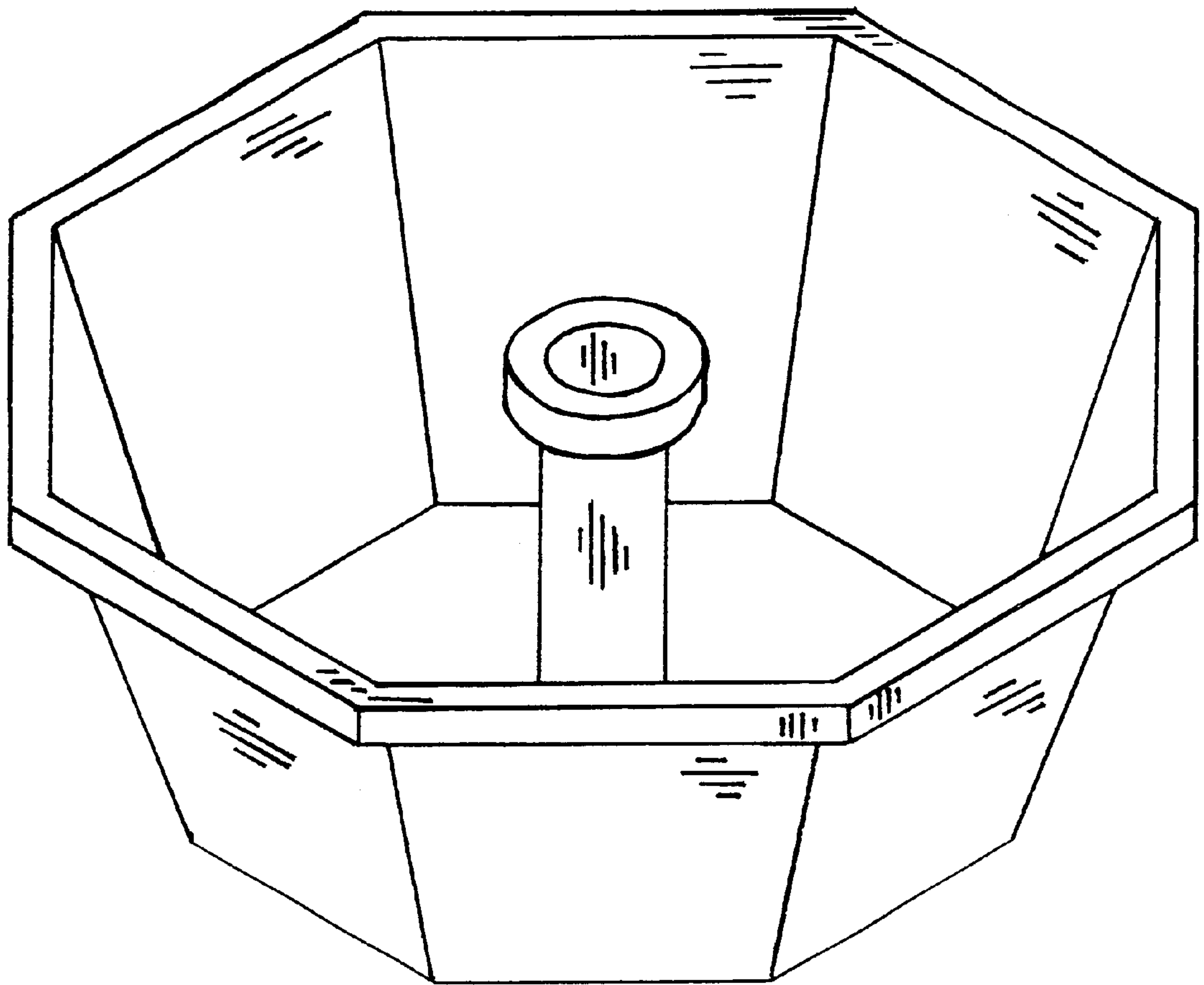


FIG. 6

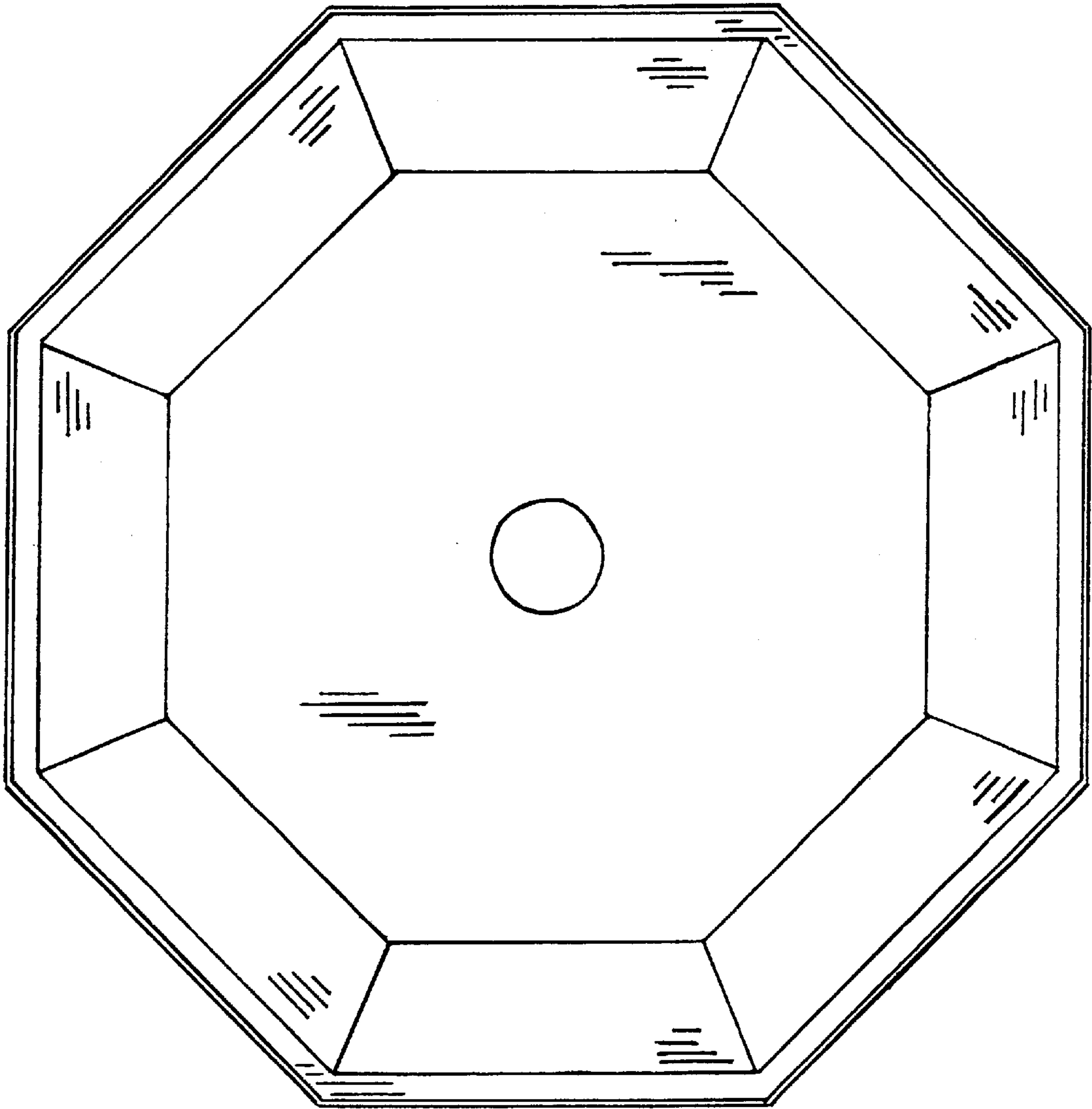


FIG. 7

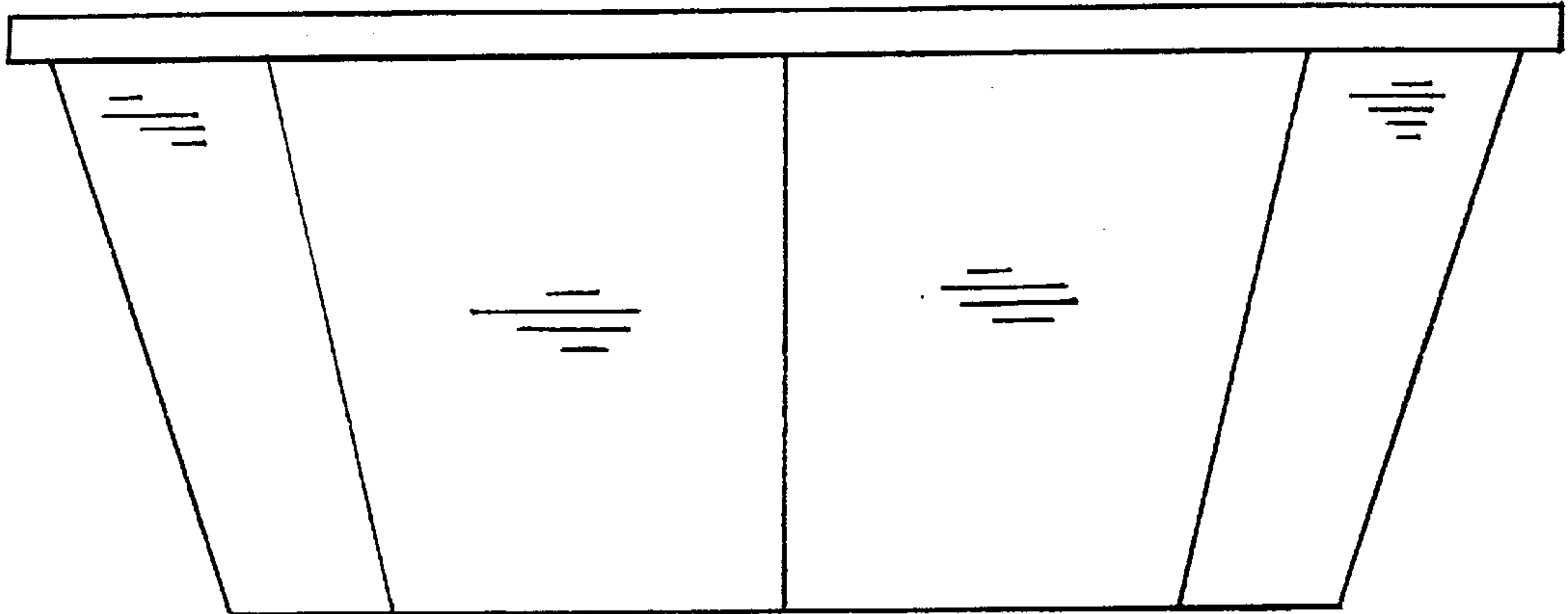


FIG. 8

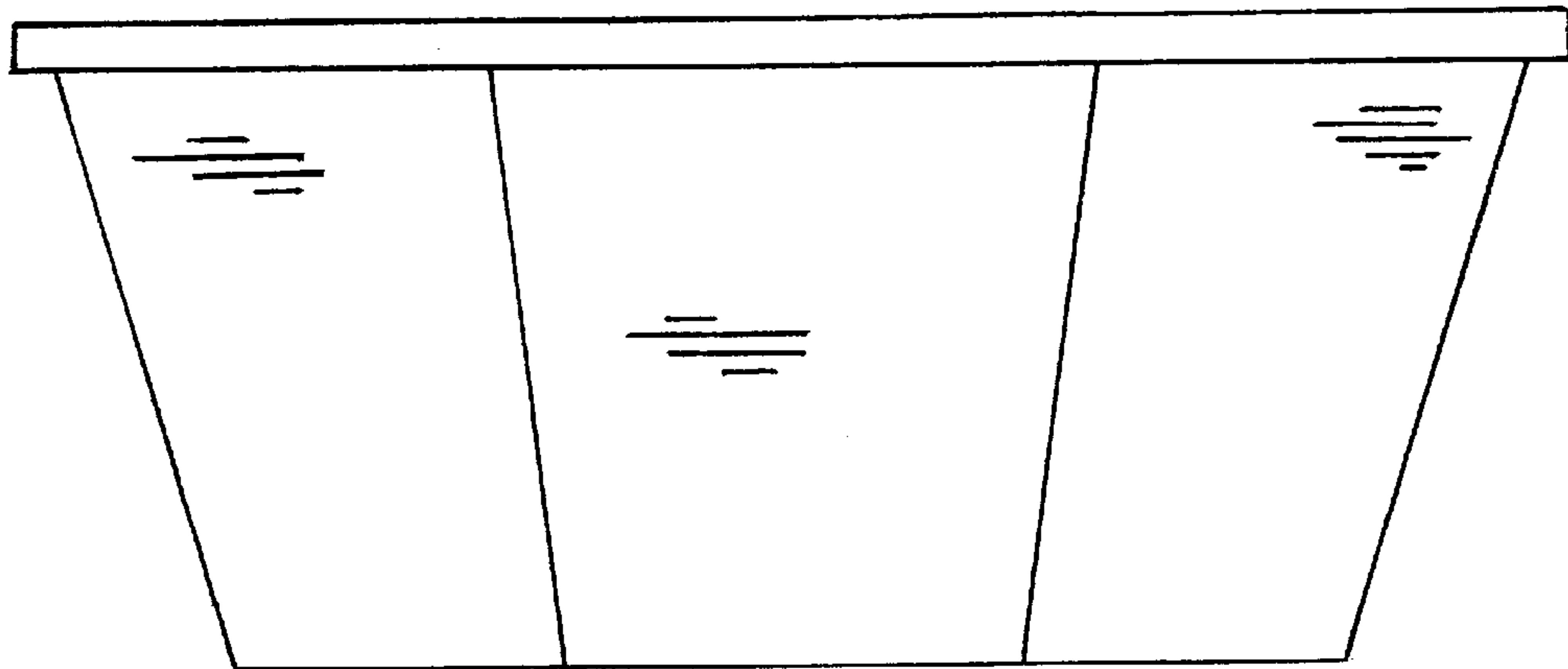


FIG. 9