



US00D441314S

(12) **United States Design Patent**  
**Nisguretsky**

(10) **Patent No.:** **US D441,314 S**

(45) **Date of Patent:** **\*\* May 1, 2001**

(54) **JEWELRY ATTACHMENT**

(75) Inventor: **Barry Nisguretsky**, New York, NY (US)

(73) Assignee: **Verragio Ltd.**, New York, NY (US)

(\*\*) Term: **14 Years**

(21) Appl. No.: **29/117,446**

(22) Filed: **Jan. 24, 2000**

(51) **LOC (7) Cl.** ..... **11-01**

(52) **U.S. Cl.** ..... **D11/86**

(58) **Field of Search** ..... D11/86, 61, 62,  
D11/116, 79, 217, 229; 40/618, 640, 653,  
303; 24/191, 311

(56) **References Cited**

**U.S. PATENT DOCUMENTS**

D. 131,620	*	3/1942	Miller	.....	D11/86
D. 292,501	*	10/1987	Jones	.....	D11/61
1,585,031	*	5/1926	Hartman	.....	40/640
1,994,686	*	3/1935	Chernow	.....	40/618
2,680,315	*	6/1954	McHugh et al.	.....	40/640
2,689,423	*	9/1954	Atkin	.....	40/618

\* cited by examiner

*Primary Examiner*—Louis S. Zarfes  
*Assistant Examiner*—Catherine R. Oliver  
(74) *Attorney, Agent, or Firm*—Baker Botts L.L.P.

(57) **CLAIM**

An ornamental design for a jewelry attachment, as shown and described.

**DESCRIPTION**

FIG. 1 is a perspective view of a first embodiment of the jewelry attachment;  
FIG. 2 is a left side view of the jewelry attachment shown in FIG. 1, the right side view being a mirror thereof;  
FIG. 3 is a top view of the jewelry attachment shown in FIG. 1;  
FIG. 4 is a front side view of the jewelry attachment shown in FIG. 1;  
FIG. 5 is a perspective view of a second embodiment of the jewelry attachment;  
FIG. 6 is a left side view of the jewelry attachment shown in FIG. 5, the right side view being a mirror thereof;  
FIG. 7 is a top view of the jewelry attachment shown in FIG. 5; and,  
FIG. 8 is a front side view of the jewelry attachment shown in FIG. 5.  
Broken line illustrations in the drawings do not form any part of the design(s) sought to be patented or claimed.

**1 Claim, 3 Drawing Sheets**

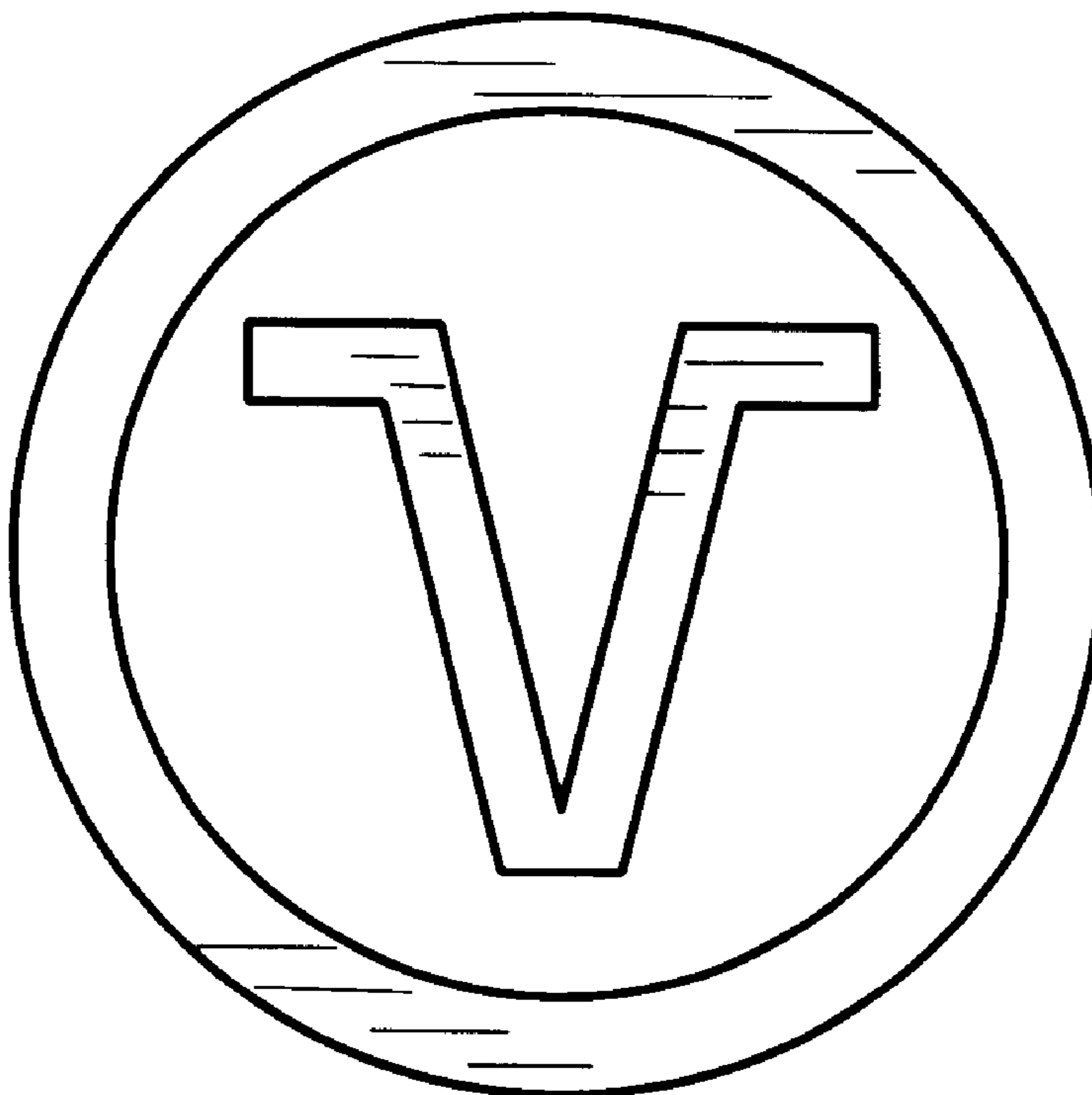


Fig. 1

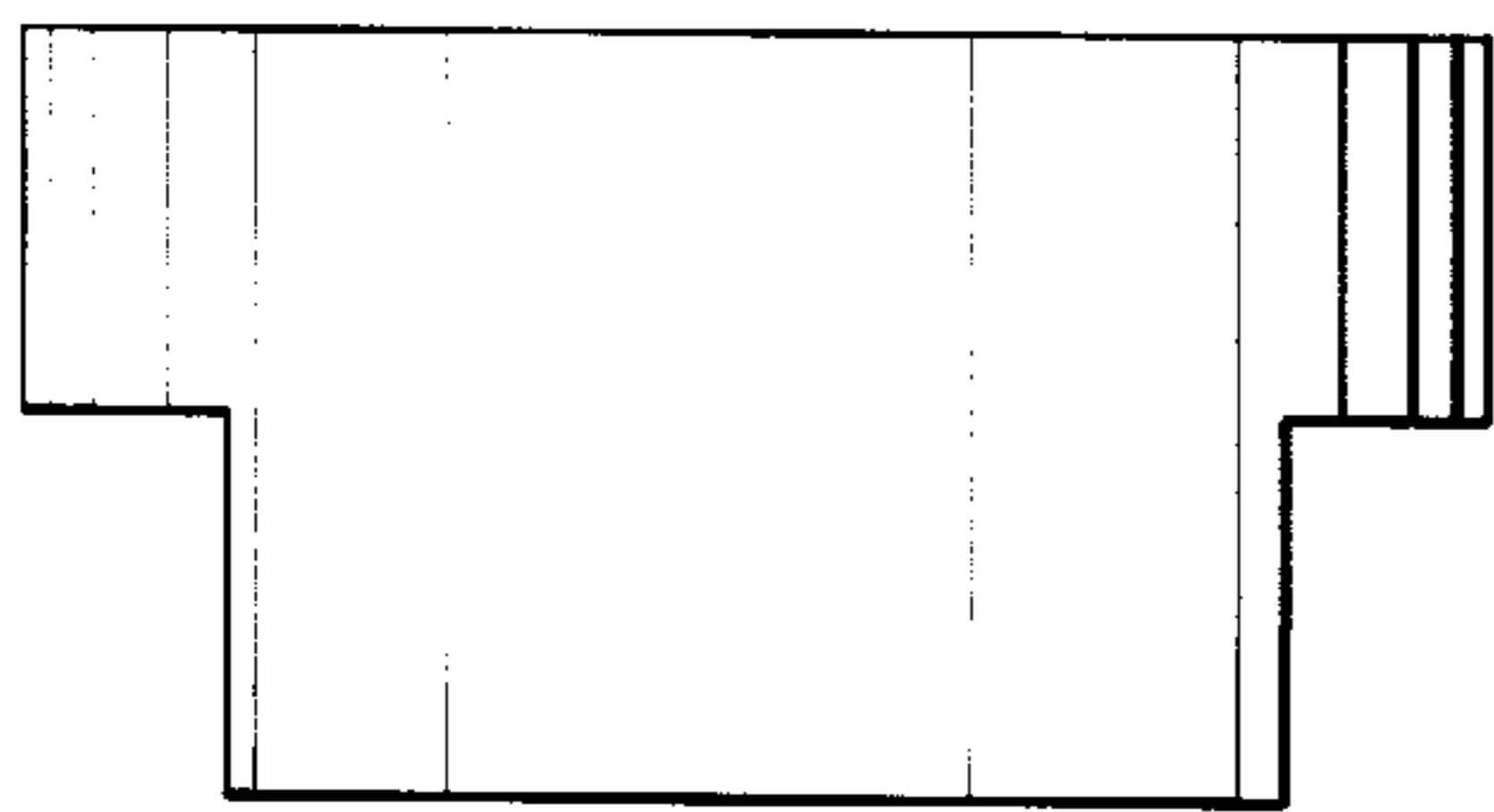
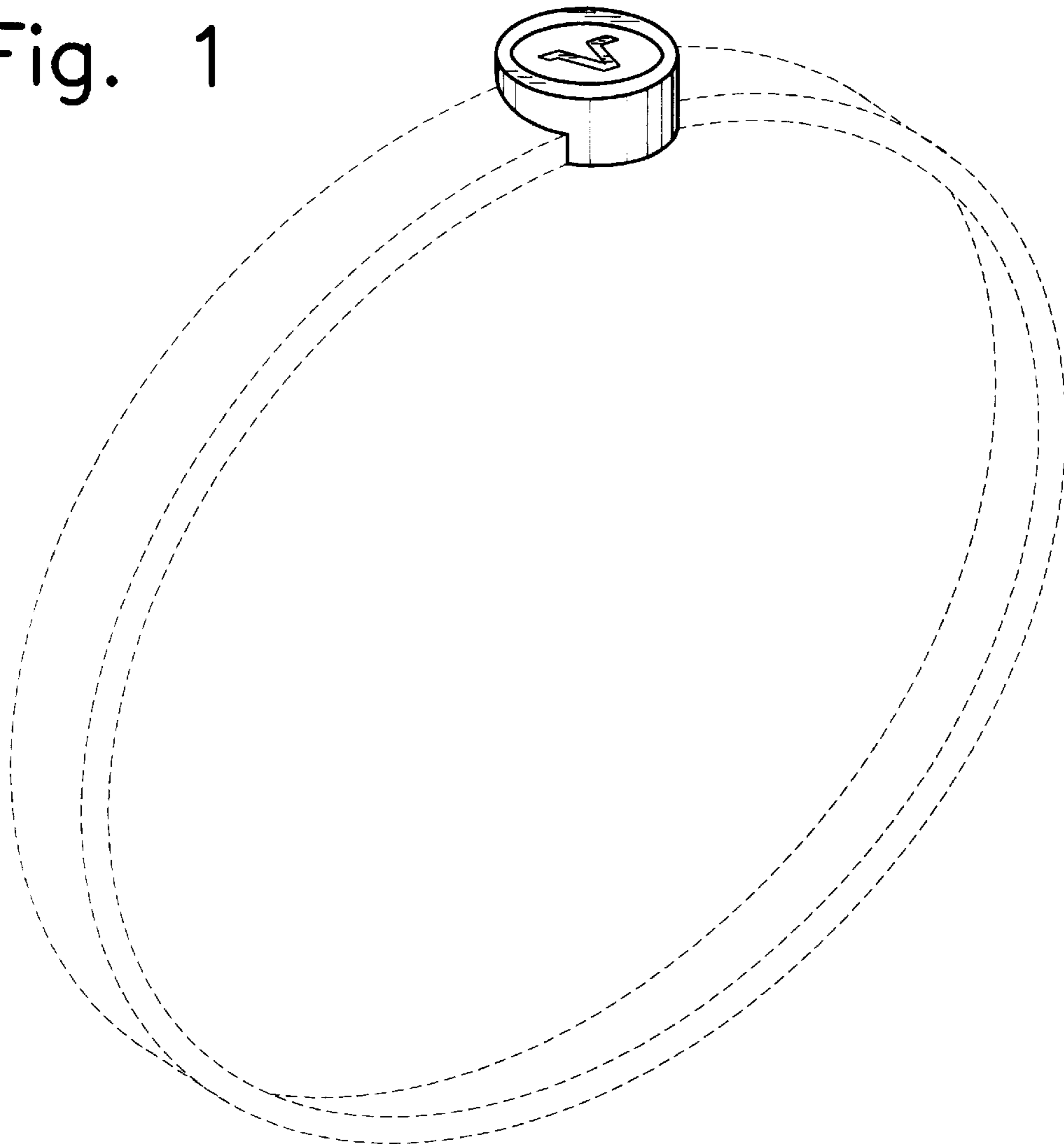


Fig. 2

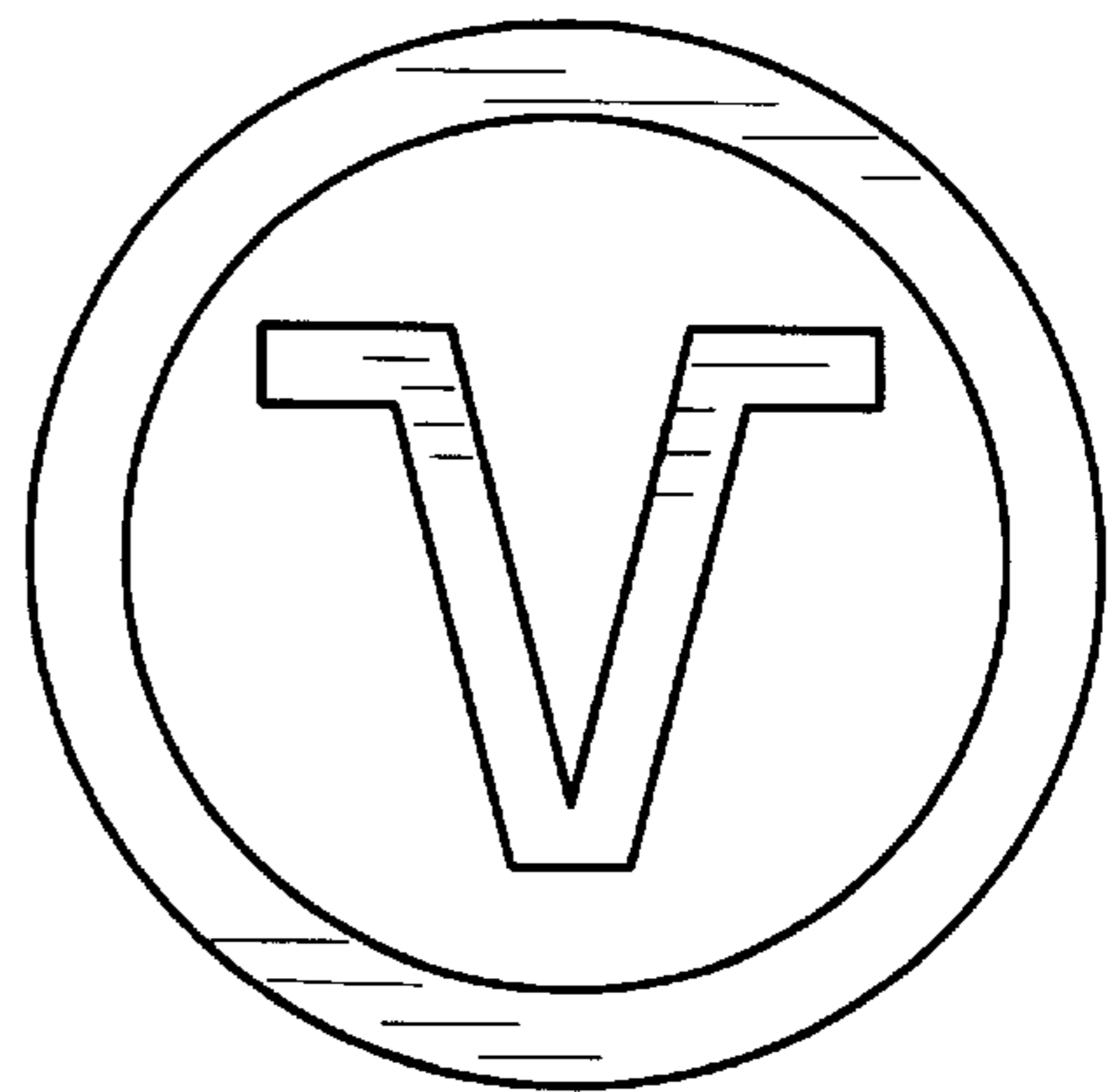


Fig. 3

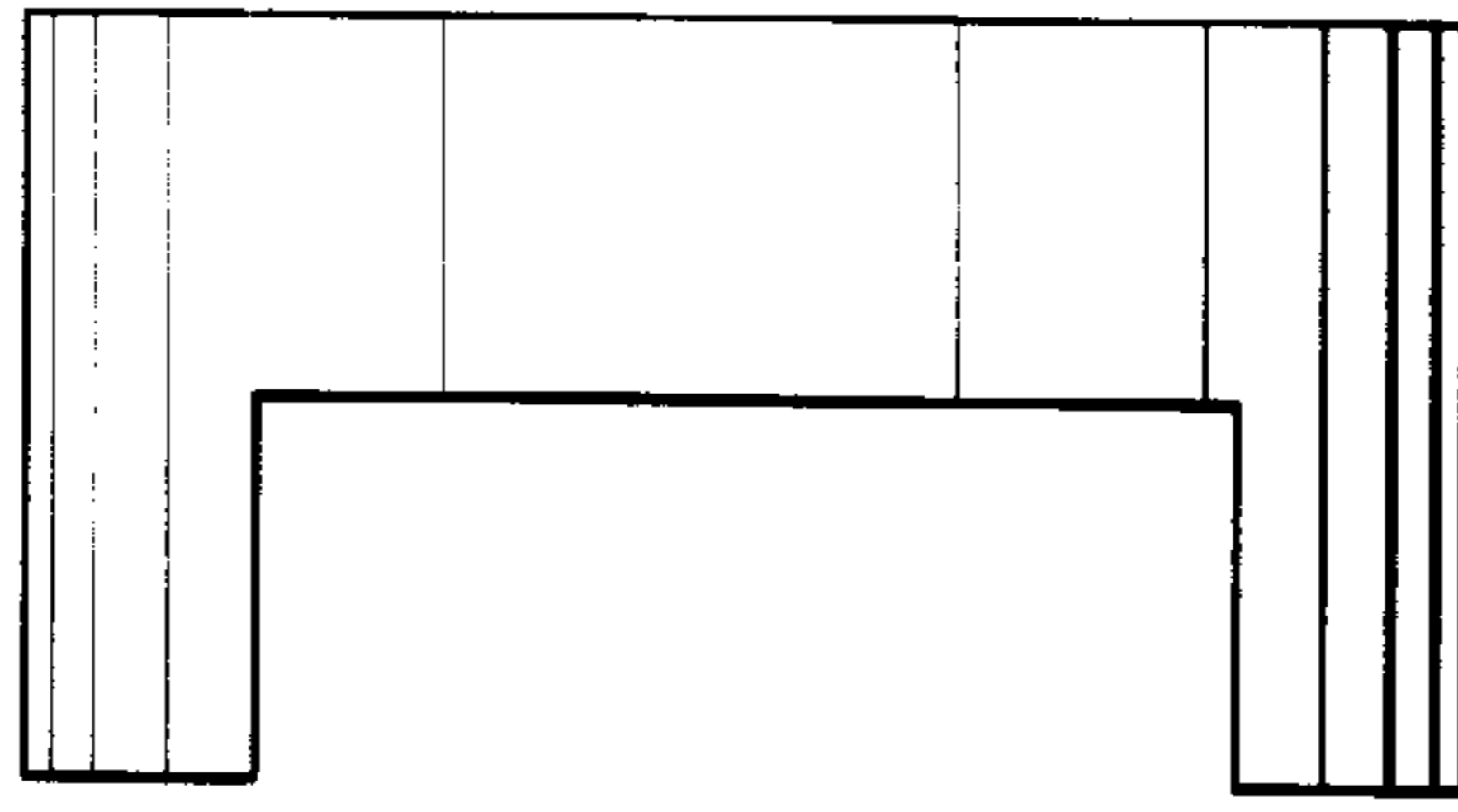


Fig. 4

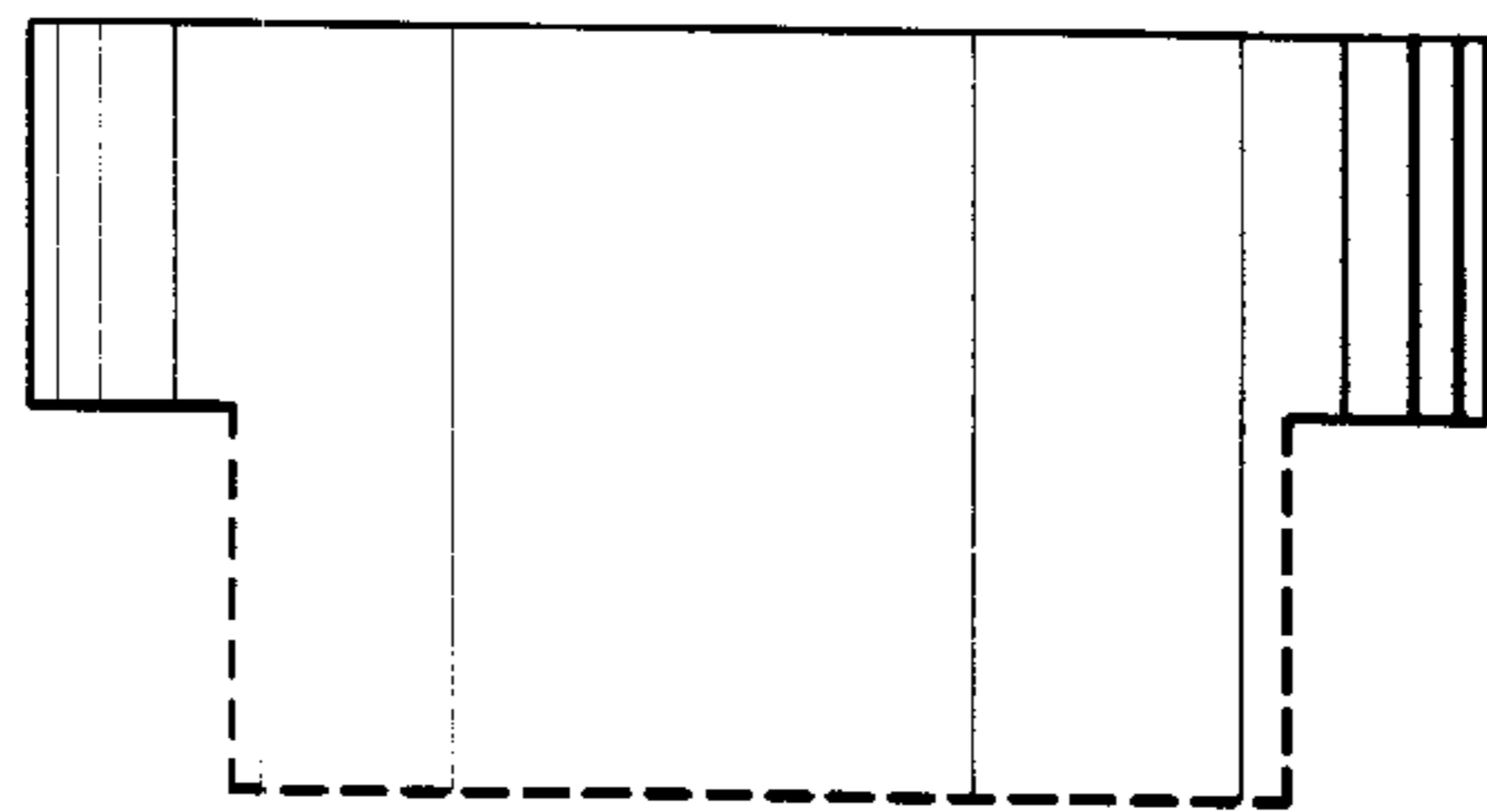


Fig. 6

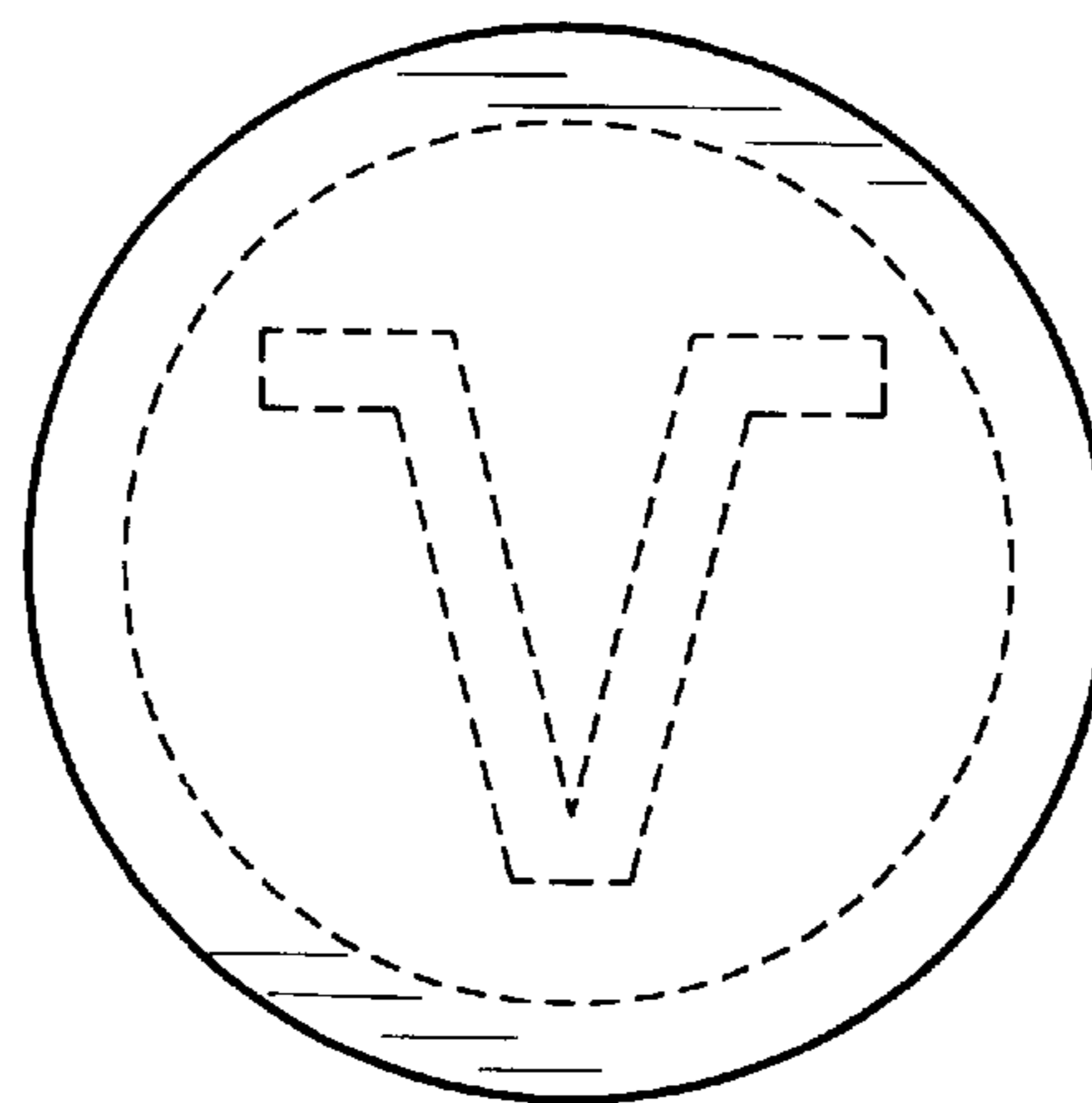


Fig. 7

Fig. 5

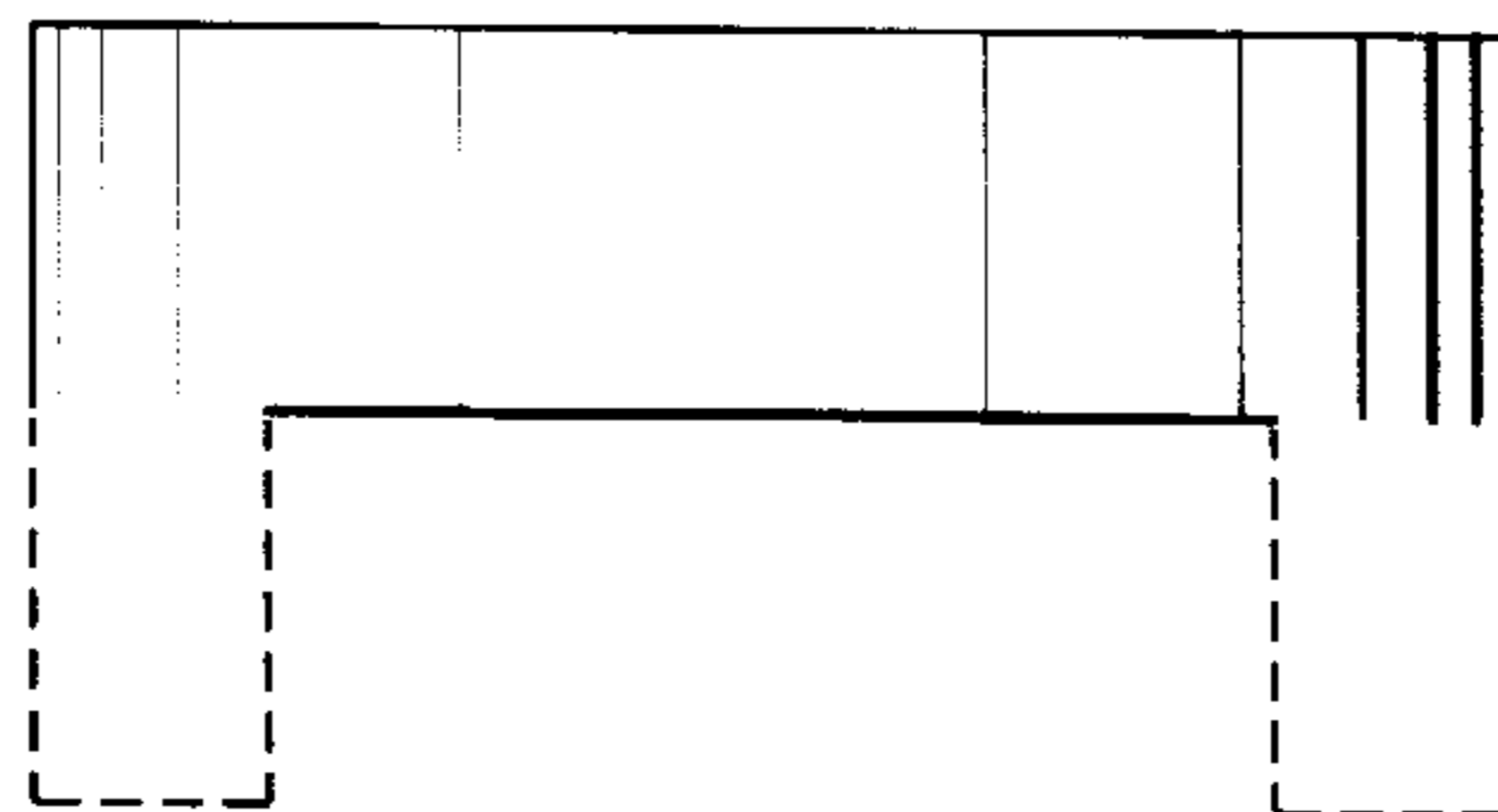
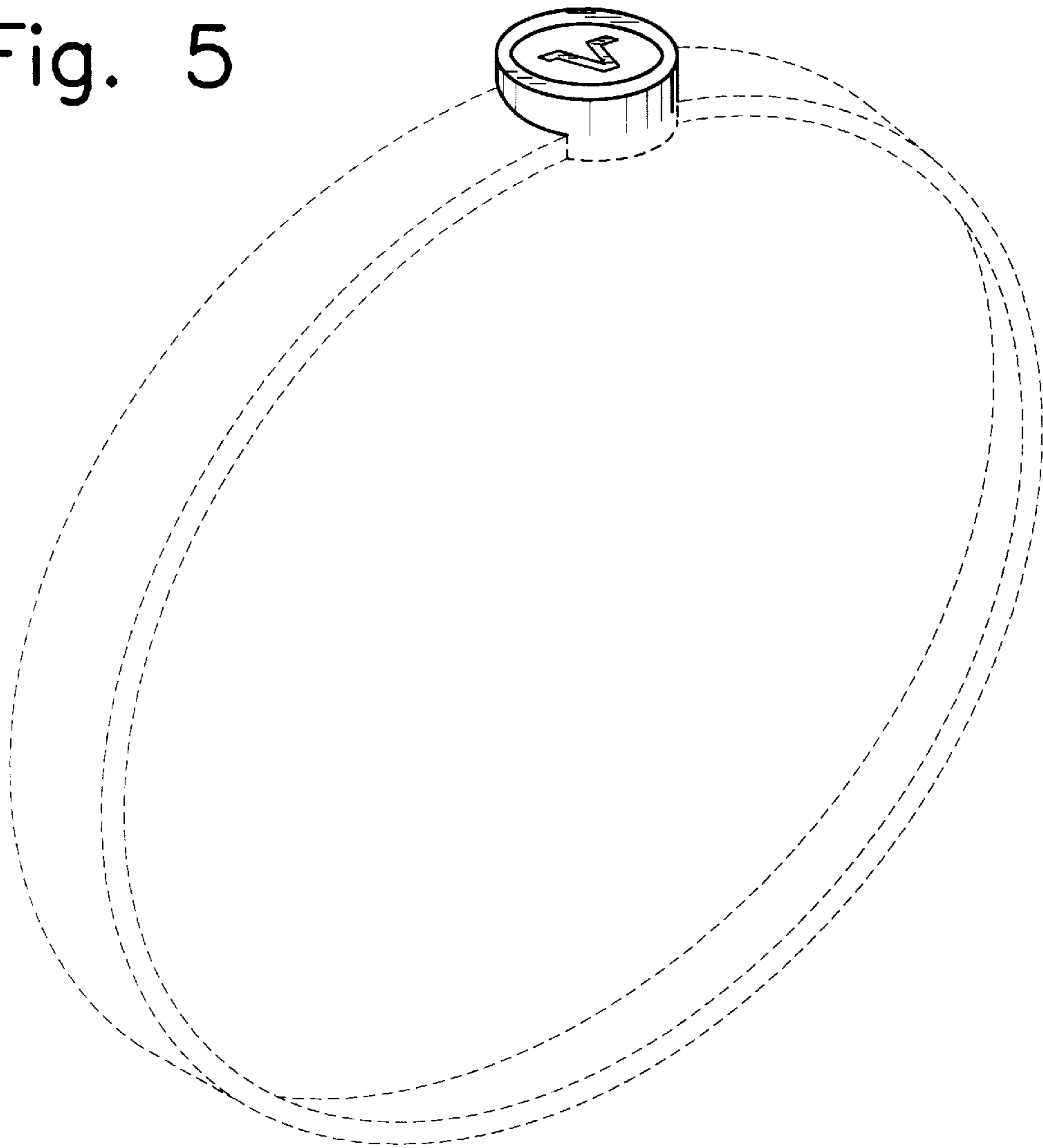


Fig. 8