



US00D441313S

(12) **United States Design Patent**
Turner

(10) **Patent No.:** **US D441,313 S**

(45) **Date of Patent:** **** May 1, 2001**

(54) **EARRING**

(76) **Inventor:** **Kelly J. Turner**, 1051 Stinson Lake Rd., Rumney, NH (US) 03266

(**) **Term:** **14 Years**

(21) **Appl. No.:** **29/127,793**

(22) **Filed:** **Aug. 14, 2000**

(51) **LOC (7) Cl.** **11-01**

(52) **U.S. Cl.** **D11/72**

(58) **Field of Search** D11/40-79, 81,
D11/26-39; 63/12, 18, 20, 22-23, 33, 40,
14.1; D3/206, 207, 211; D21/467, 465

(56) **References Cited**

U.S. PATENT DOCUMENTS

D. 125,829	*	3/1941	Rubin	D11/72
D. 126,374	*	4/1941	Calichio	D3/211
D. 133,919	*	9/1942	Barbieri	D11/72
D. 139,695	*	12/1944	Philippe	D11/72
D. 147,794	*	11/1947	Kaufman	D11/72
D. 148,989	*	3/1948	Harrington	D11/81
D. 151,924	*	11/1948	Philippe	D11/72
D. 172,587	*	7/1954	Fleishman	D11/81
D. 250,581	*	12/1978	Savage	D11/72
D. 274,418		6/1984	Bruce	.	
D. 308,179		5/1990	Perlmutter et al.	.	
D. 313,370		1/1991	Steiner	.	

D. 324,306		3/1992	Lin	.	
D. 331,891		12/1992	Foley	.	
D. 334,003		3/1993	Vogelsang	.	
D. 374,637		10/1996	Esser	.	
D. 376,245		12/1996	Brantley-Alcock	.	
D. 377,461		1/1997	Kloppenburg, Jr. et al.	.	
D. 388,013		12/1997	Rich	.	
D. 392,206		3/1998	Kothari	.	
D. 413,433	*	9/1999	Robertson	D3/211

* cited by examiner

Primary Examiner—Cathy Anne MacCormac
(74) *Attorney, Agent, or Firm*—William P. Smith

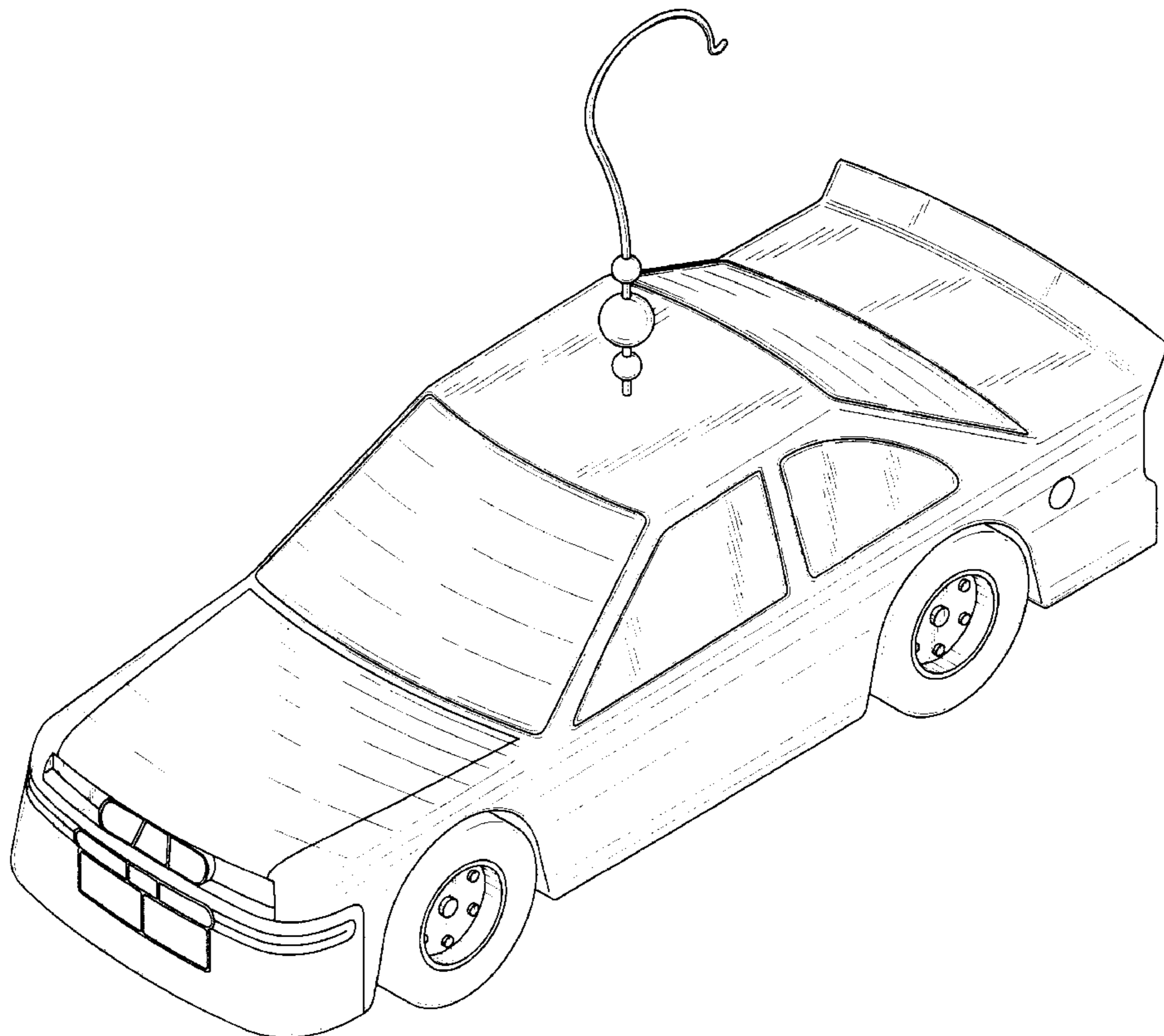
(57) **CLAIM**

The ornamental design for an earring, as shown and described.

DESCRIPTION

FIG. 1 is a perspective view of an earring showing my new design, the broken lines are for purposes of illustration only and form no part of the claimed design;
FIG. 2 is a front and side perspective view thereof;
FIG. 3 is a side elevational view thereof;
FIG. 4 is a front elevational view thereof;
FIG. 5 is a rear elevational view thereof;
FIG. 6 is a top plan view thereof; and,
FIG. 7 is a bottom plan view thereof.

1 Claim, 6 Drawing Sheets



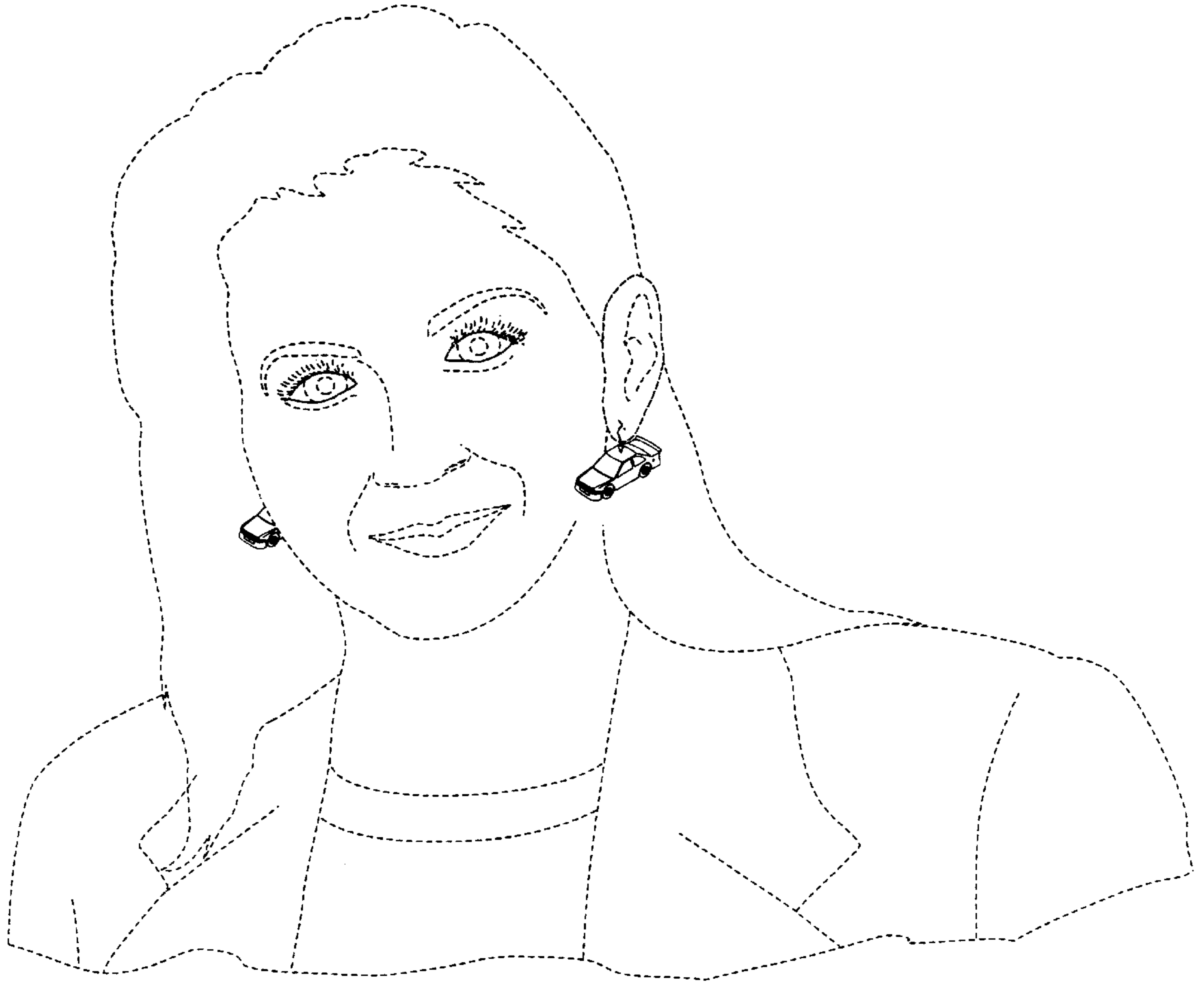


Fig. 1

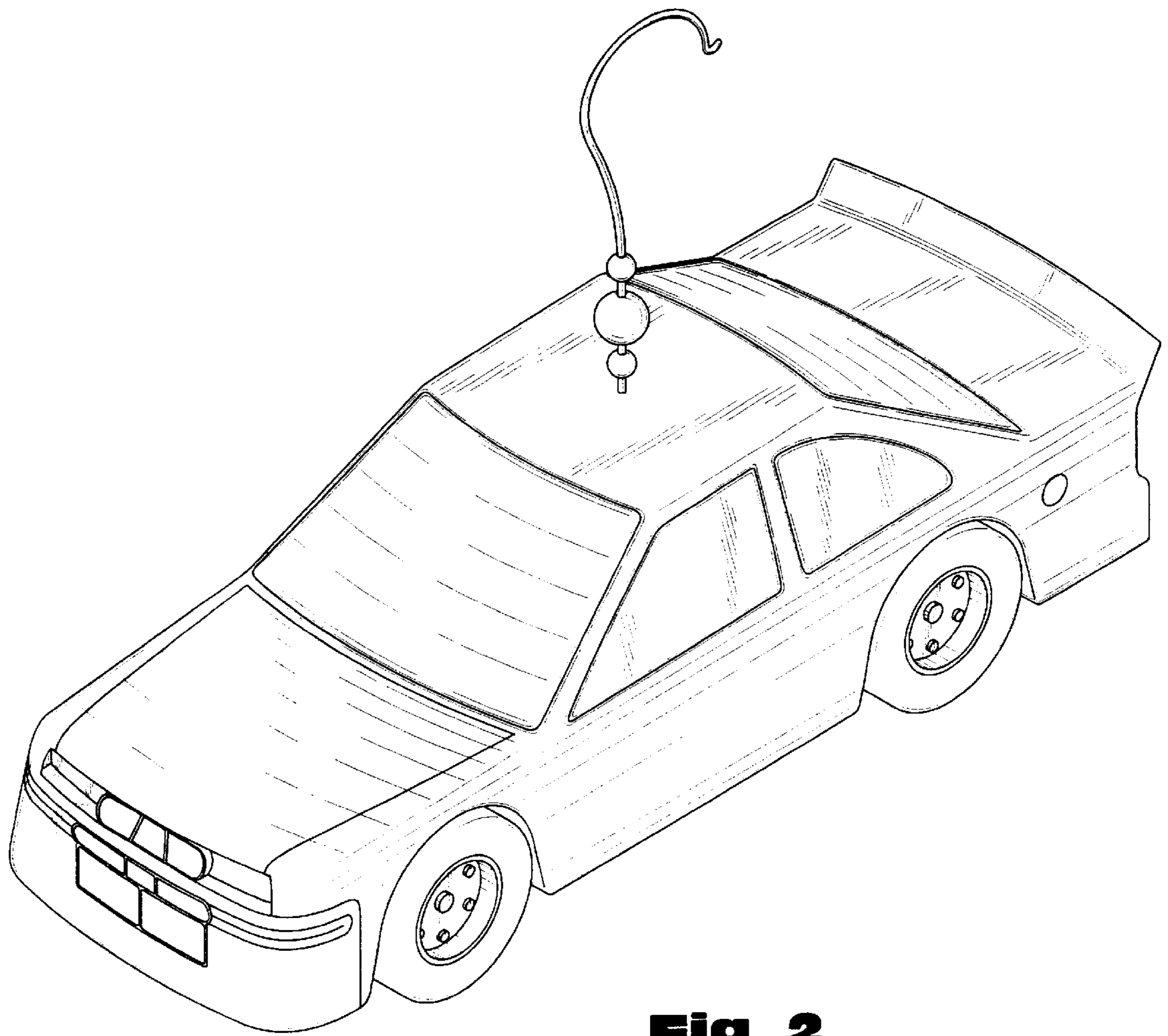


Fig. 2

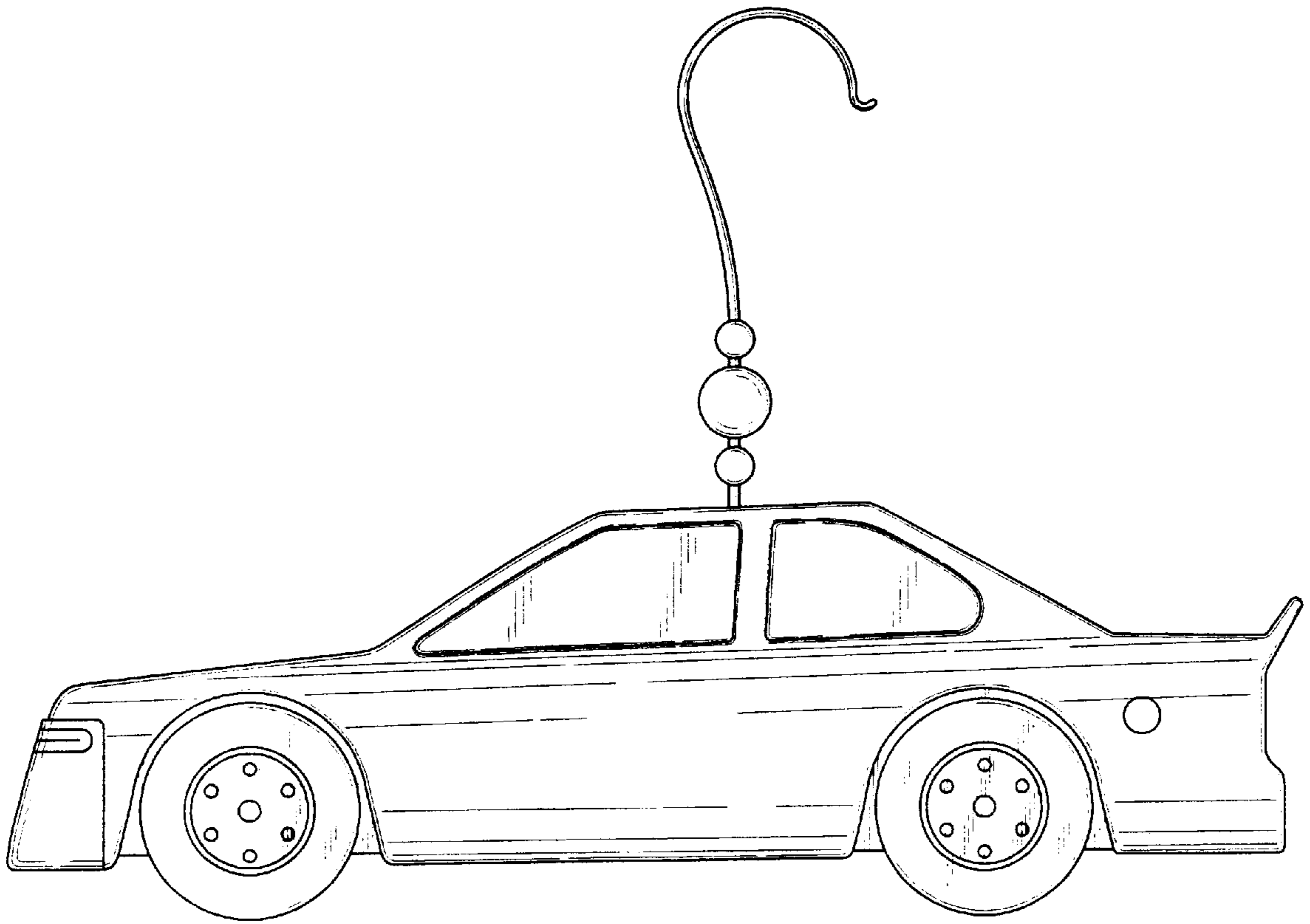


Fig. 3

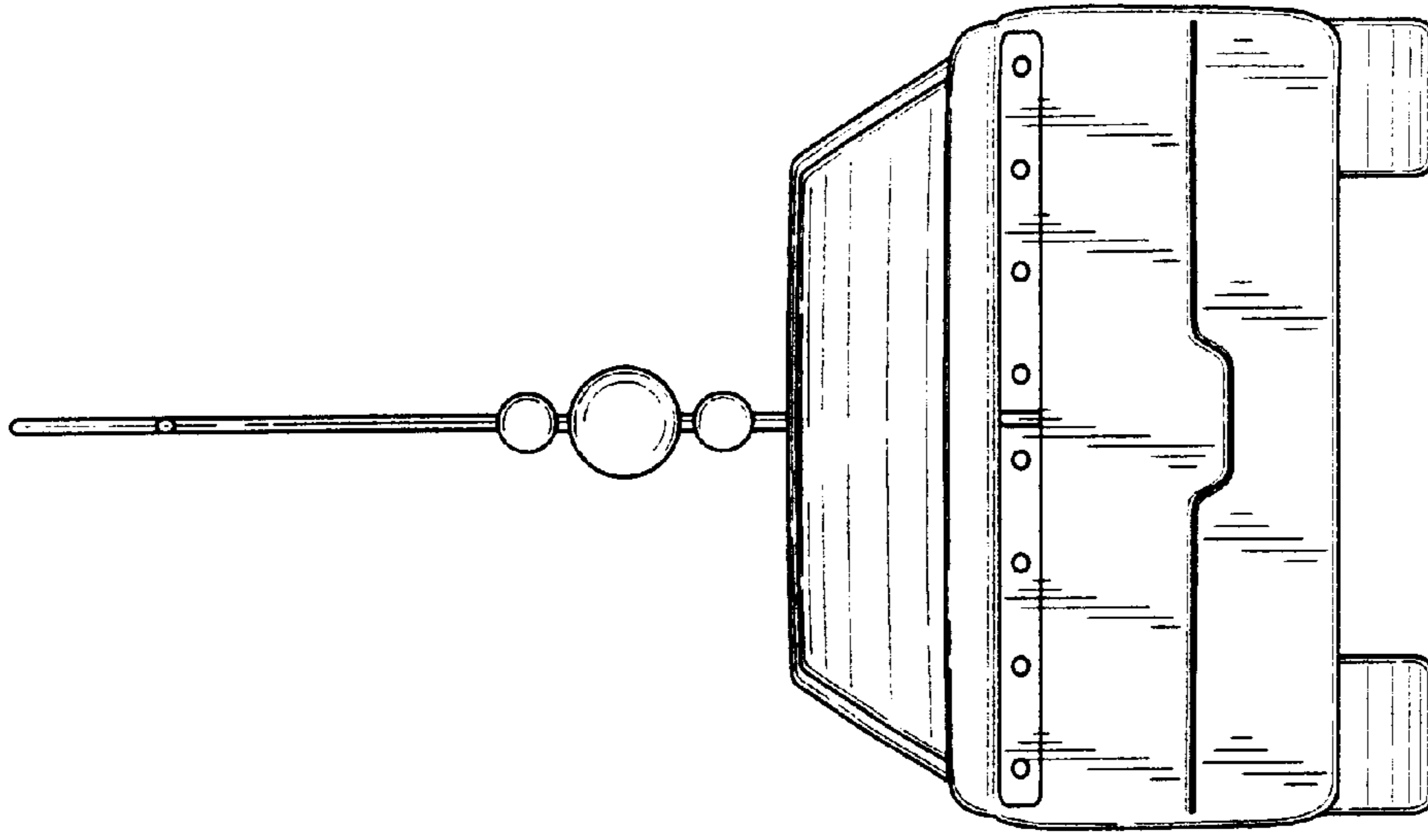


Fig. 5

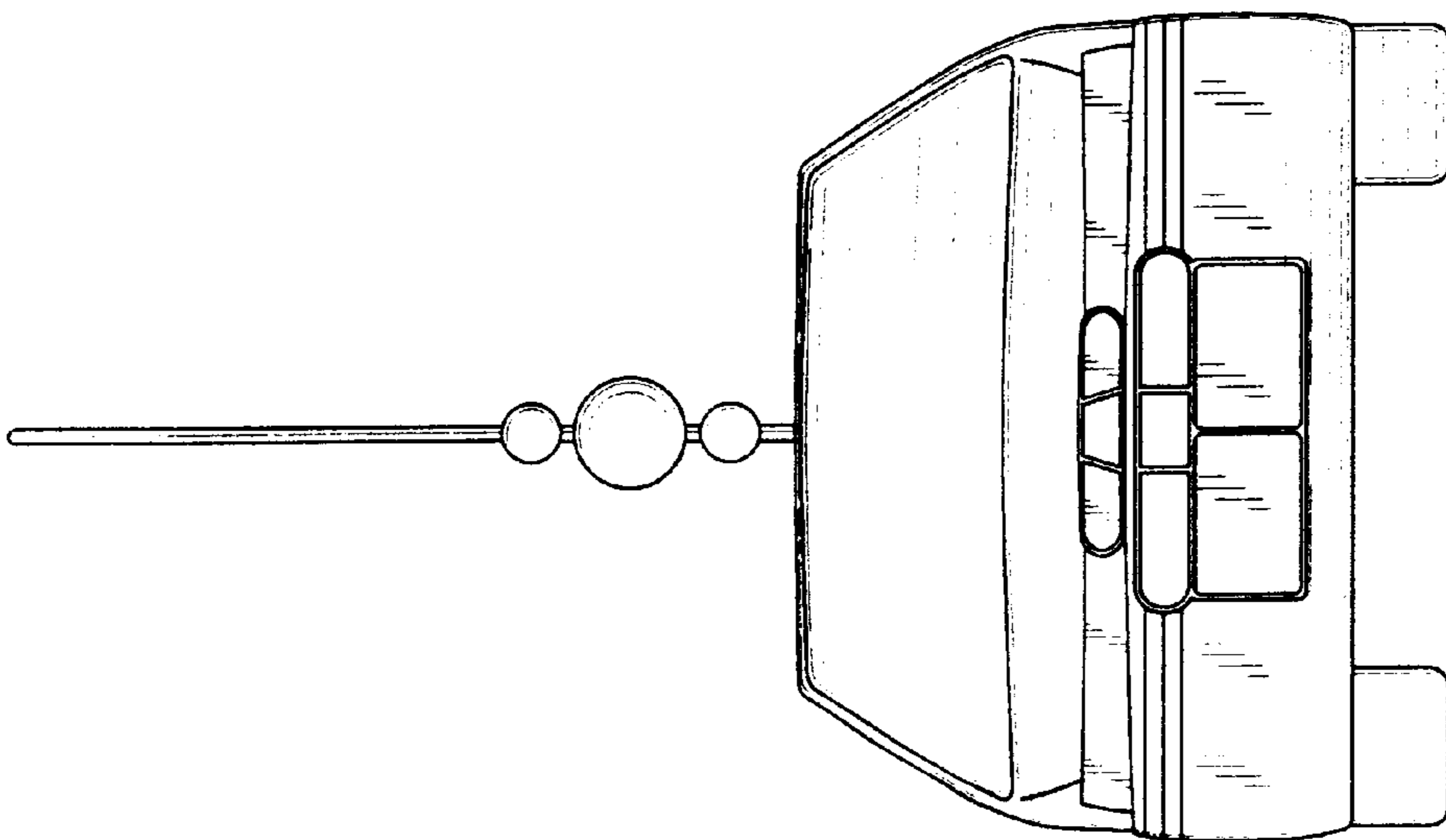


Fig. 4

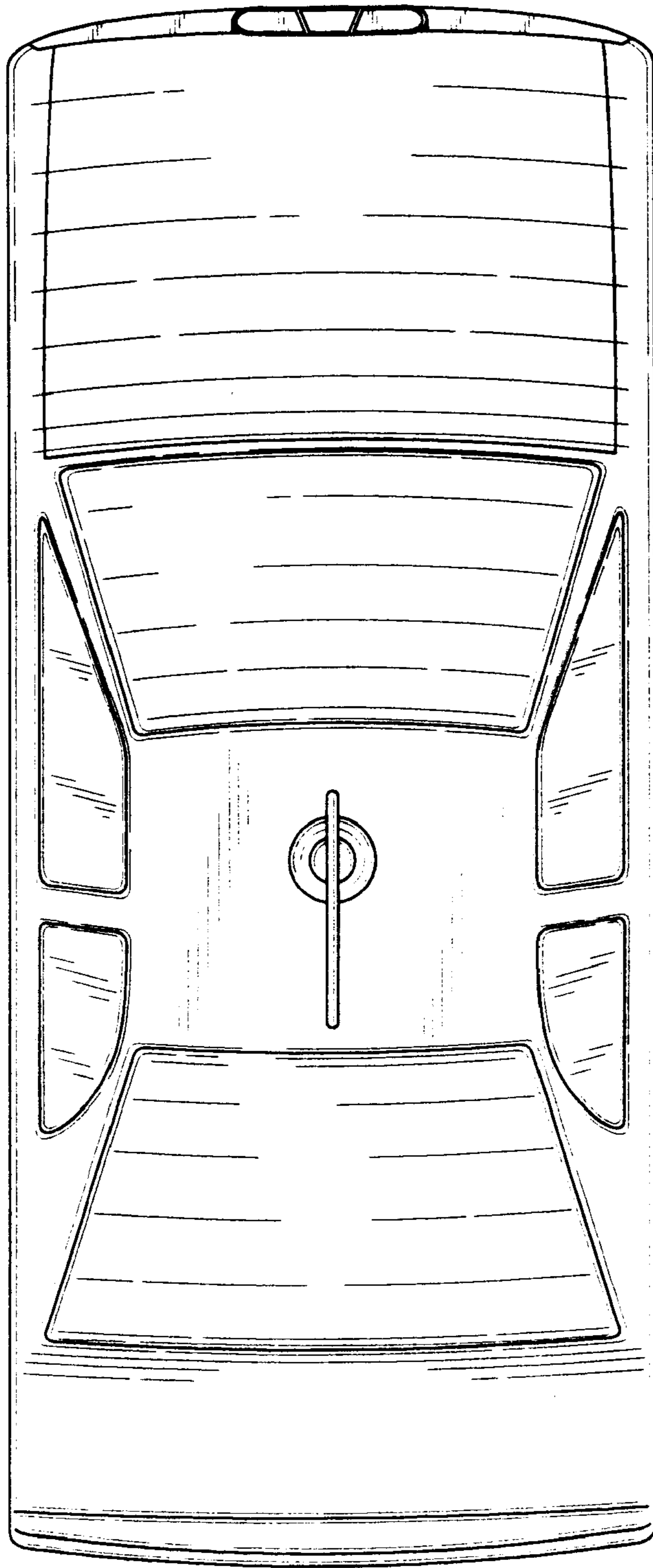


Fig. 6

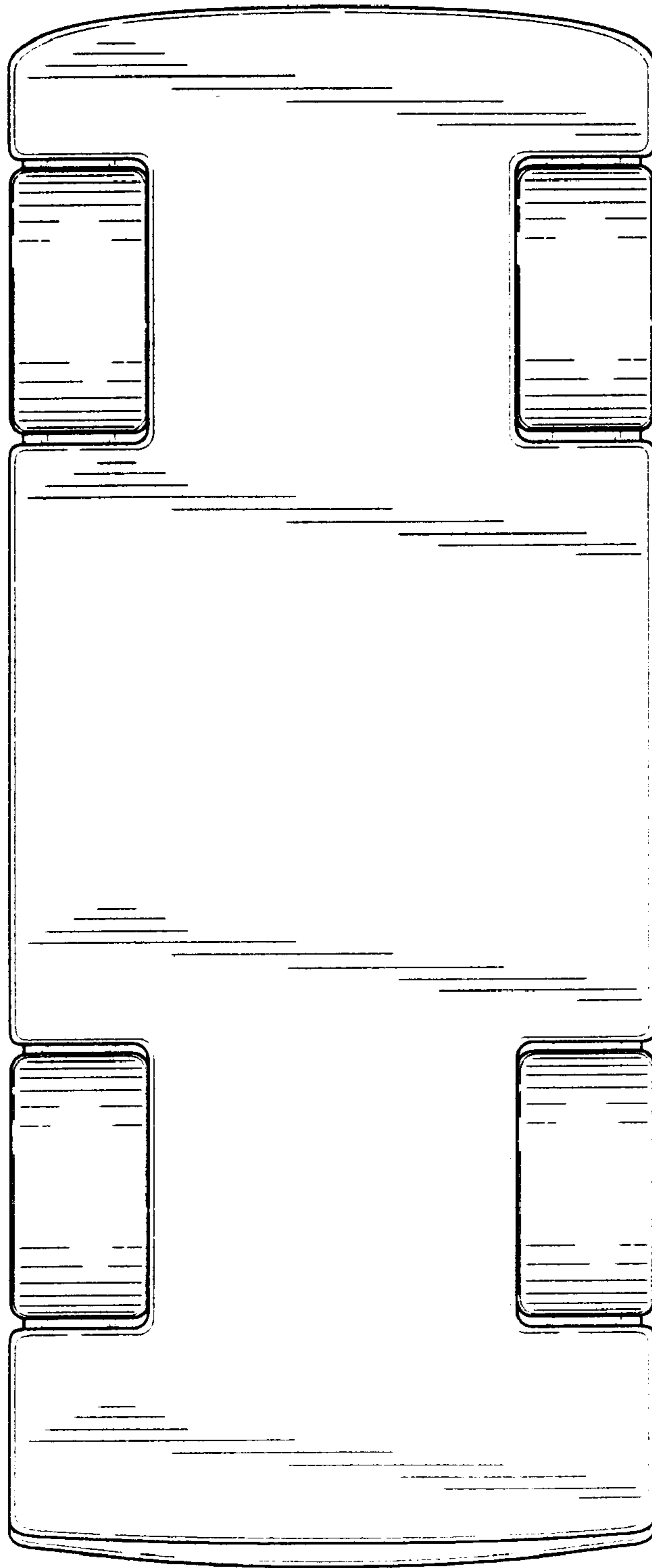


Fig. 7